



US00D383525S

United States Patent [19]

[11] Patent Number: **Des. 383,525**

Purcell

[45] Date of Patent: ****Sep. 9, 1997**

[54] **INSULATED WATER HEATER FOR HYDROTHERAPY BATHS, SPAS, AND SKID PACKS**

[76] Inventor: **Steven J. Purcell**, Sundance Spas
13951 Monte Vista Ave., Chino, Calif.
91710

[**] Term: **14 Years**

[21] Appl. No.: **46,939**

[22] Filed: **Nov. 21, 1995**

[51] LOC (6) Cl. **23-03**

[52] U.S. Cl. **D23/315**

[58] Field of Search D23/315; 126/590,
126/344, 373; 392/493, 386, 452, 480,
488-489; 210/764; 165/154

[56] **References Cited**

U.S. PATENT DOCUMENTS

1,462,611	7/1923	Meyer	126/344
2,254,587	9/1941	Williams	165/154
5,029,605	7/1991	Dowling et al.	126/344 X

FOREIGN PATENT DOCUMENTS

2505461	11/1982	France	126/344
---------	---------	--------	---------

Primary Examiner—Holly Baynham
Attorney, Agent, or Firm—Robert N. Schlesinger

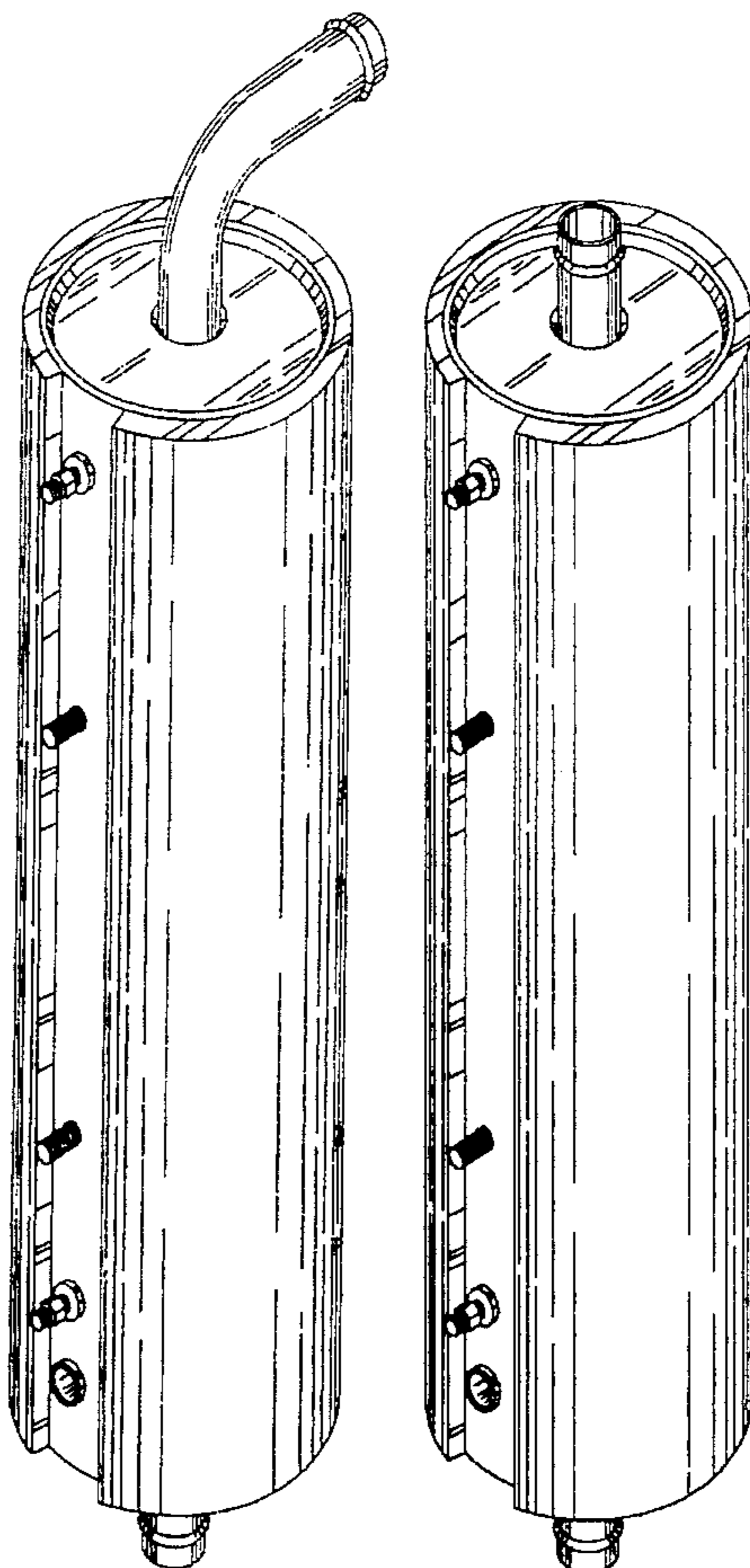
[57] **CLAIM**

The ornamental design for an “insulated water heater for hydrotherapy baths, spas, and skid packs”, as shown and described.

DESCRIPTION

FIG. 1 is a top isometric view of the insulated water heater for hydrotherapy baths, spas, and skid packs;
 FIG. 2 is a bottom isometric view;
 FIG. 3 is a side view, the opposite side being a mirror image thereof;
 FIG. 4 is a side view, showing FIG. 3 rotated 90-degrees about the y-axis;
 FIG. 5 is a side view, showing the opposite side of FIG. 4;
 FIG. 6 is a top view;
 FIG. 7 is a bottom view;
 FIG. 8 is a top, isometric view of a second embodiment of the design shown in FIG. 1;
 FIG. 9 is a bottom isometric view;
 FIG. 10 is a side view, the opposite side being a mirror image thereof;
 FIG. 11 is a side view showing FIG. 10 rotated 90-degrees about the y-axis;
 FIG. 12 is a side view, showing the opposite side of FIG. 11;
 FIG. 13 is a top view; and,
 FIG. 14 is a bottom view.

1 Claim, 14 Drawing Sheets



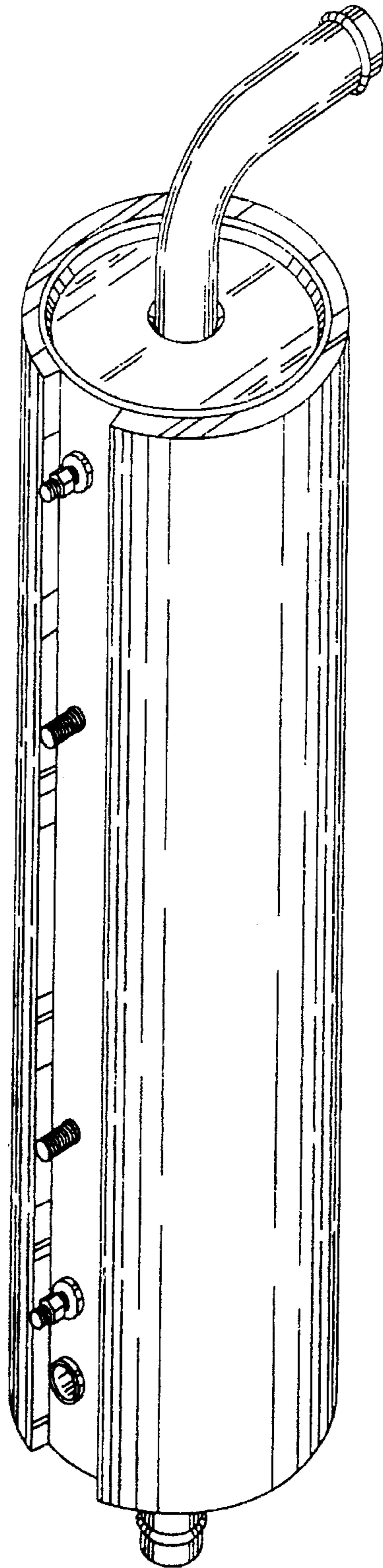


FIG. 1

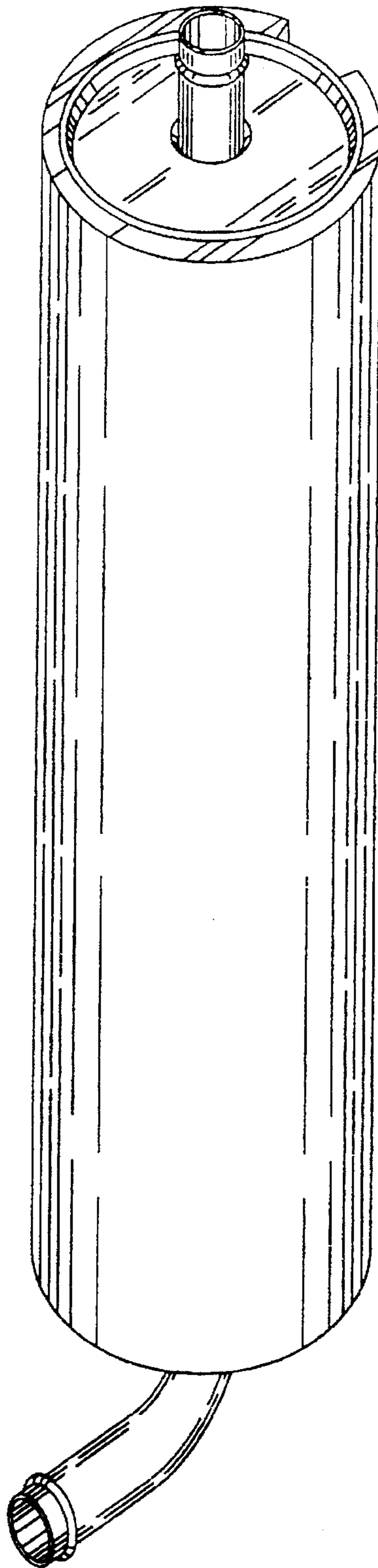


FIG. 2

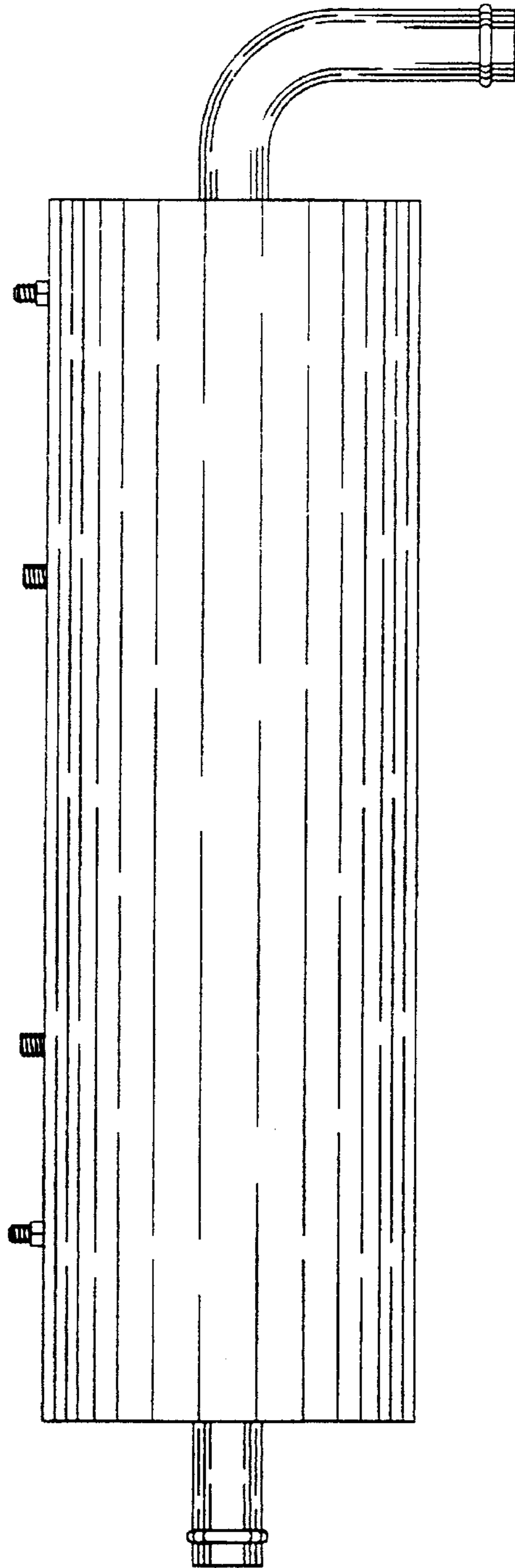


FIG. 3

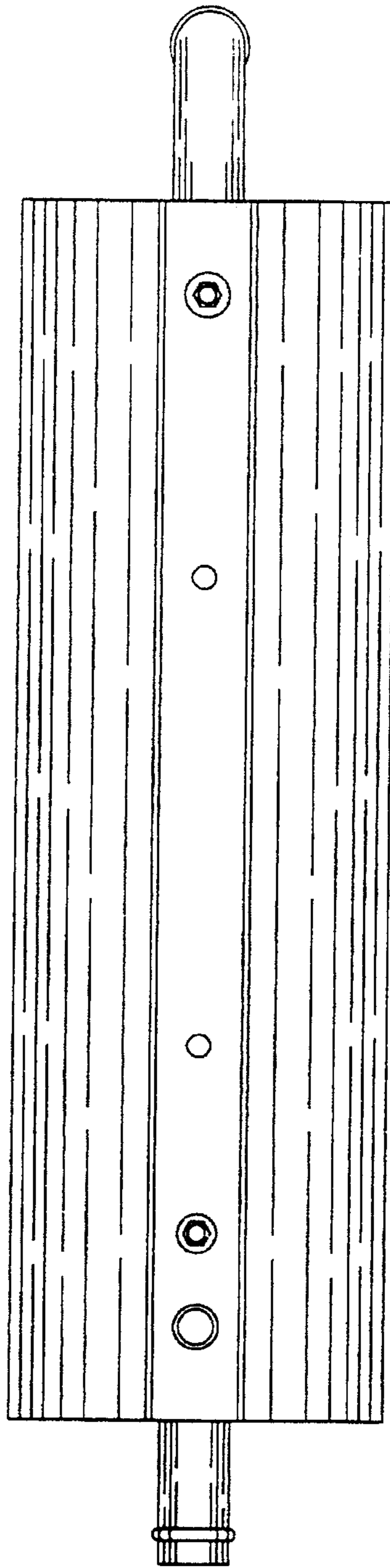


FIG. 4

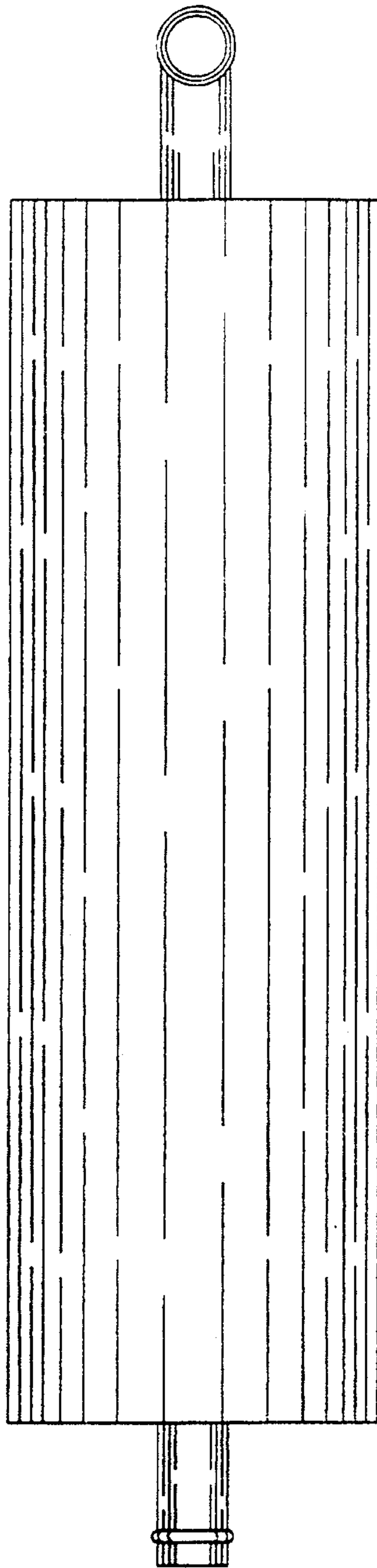


FIG. 5

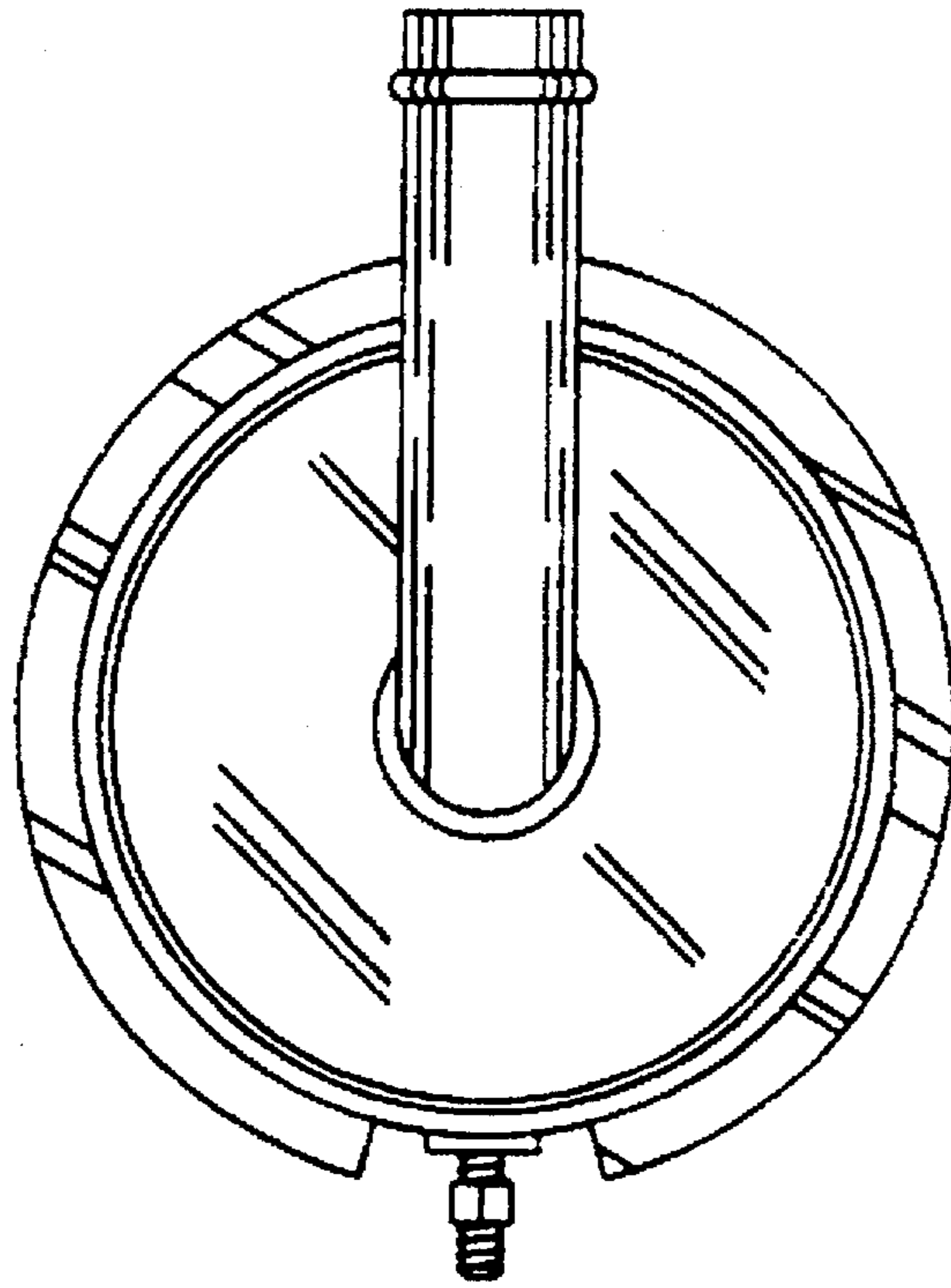


FIG. 6

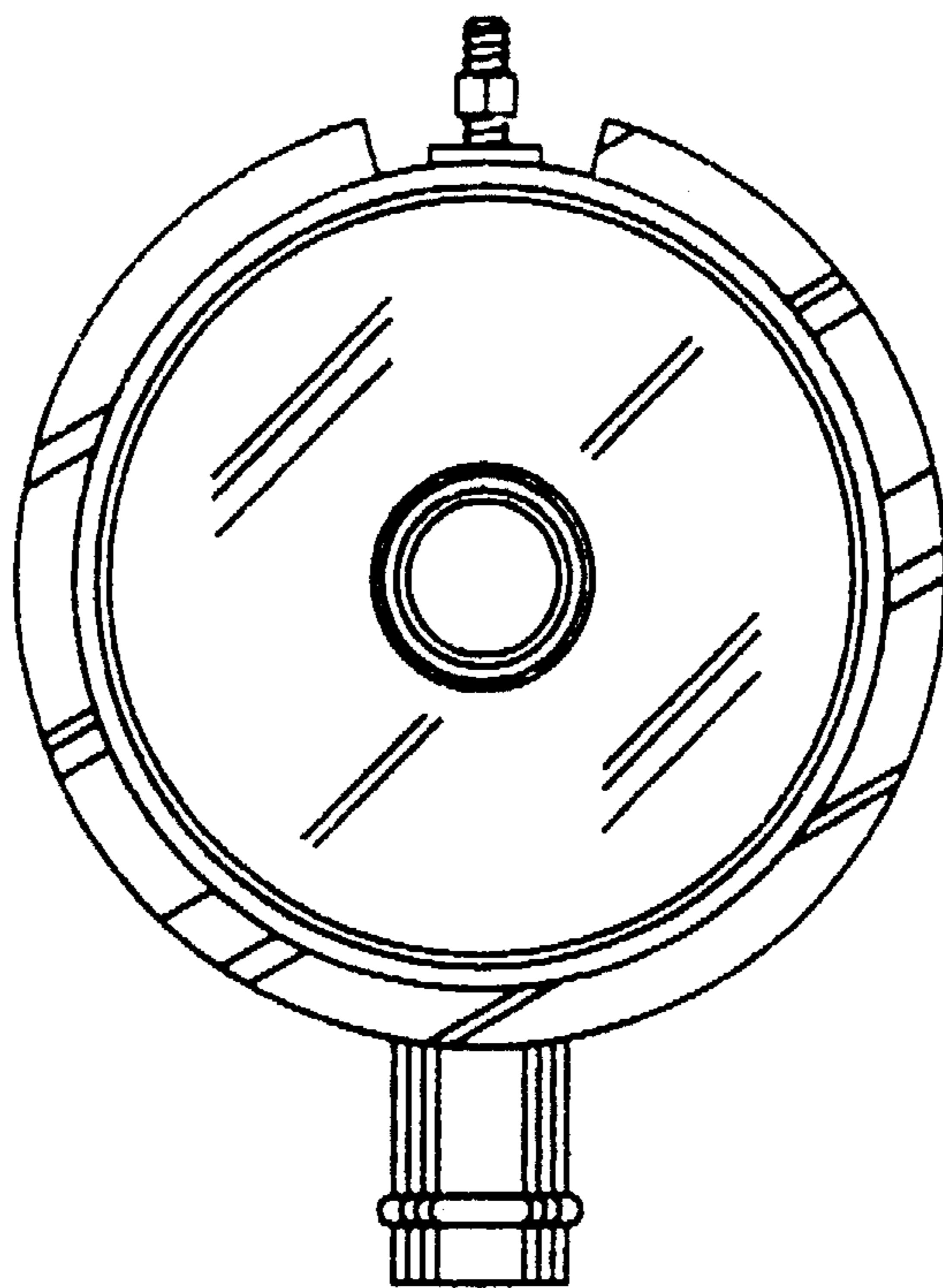


FIG. 7

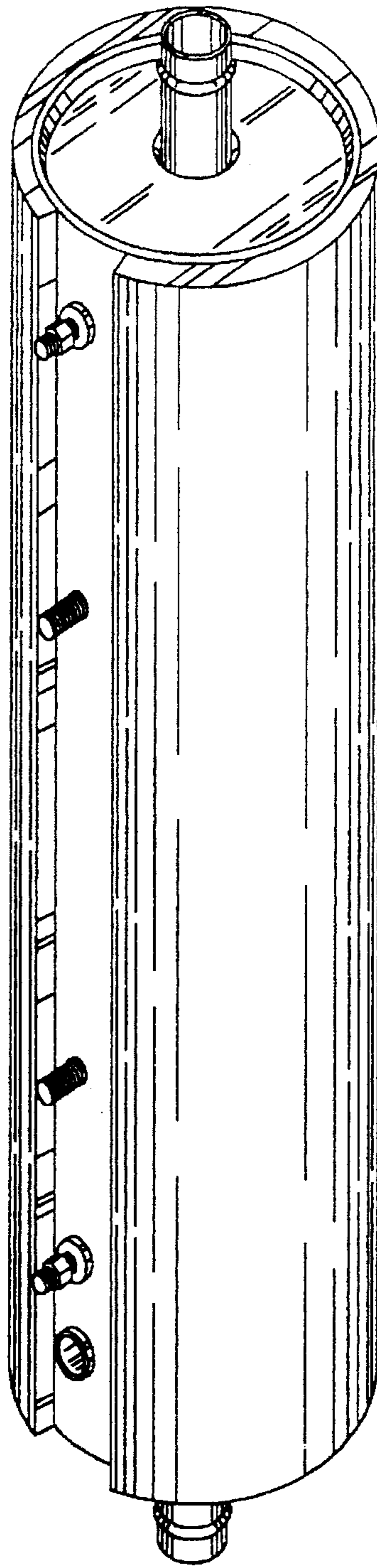


FIG. 8

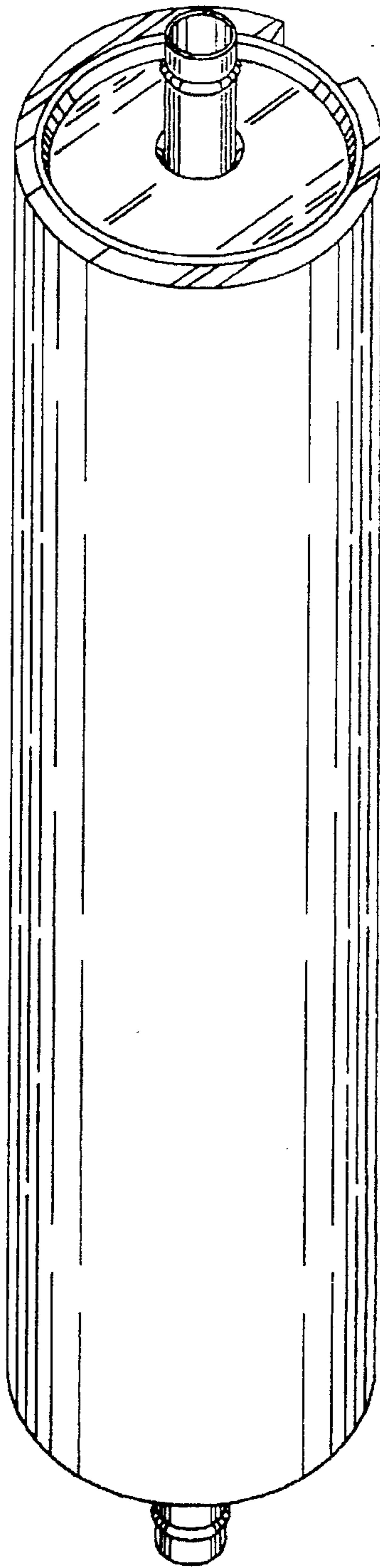


FIG. 9

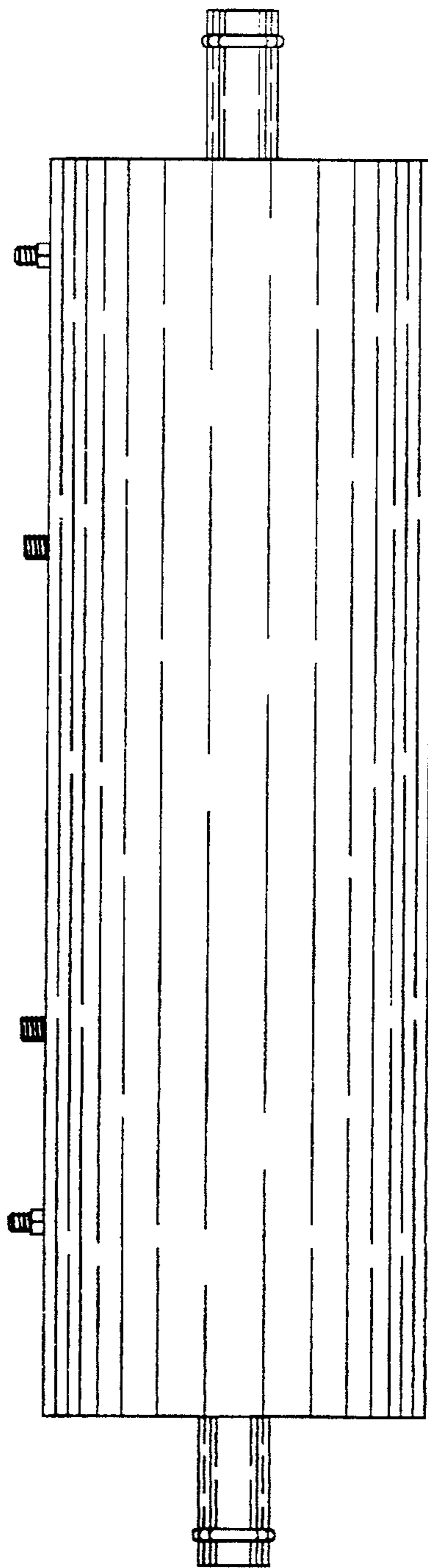


FIG. 10

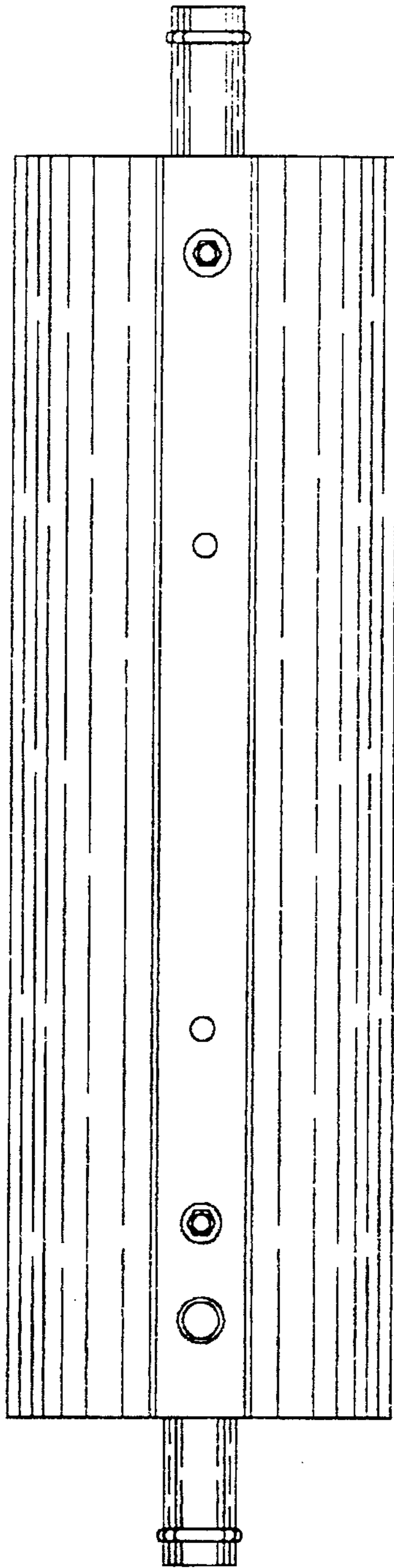


FIG. 11

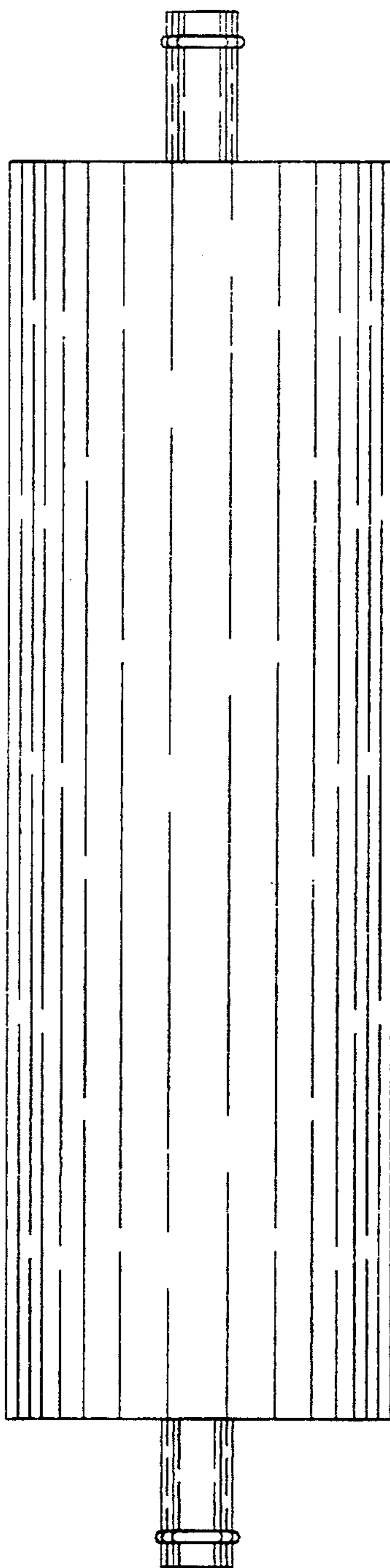


FIG. 12

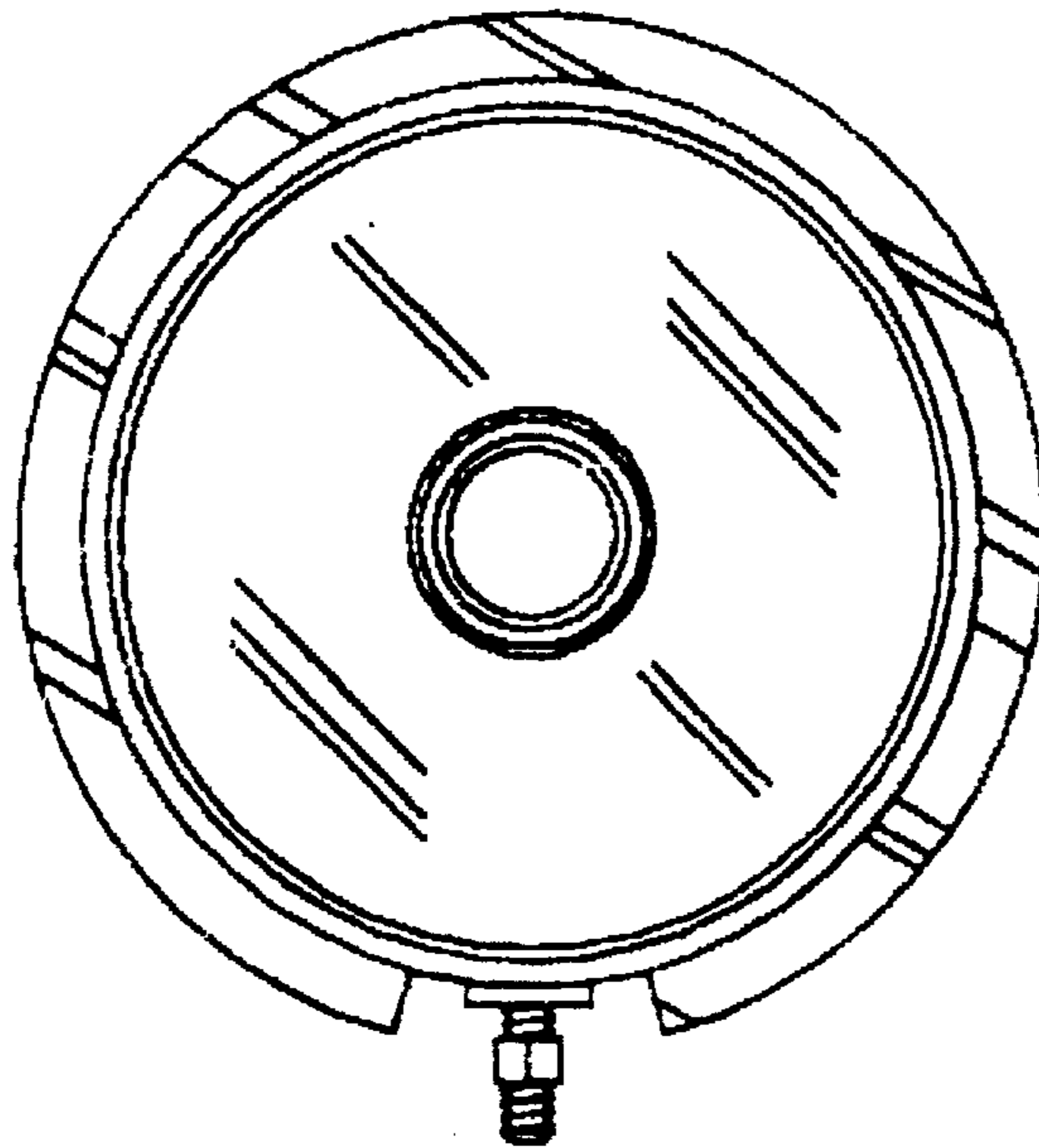


FIG. 13

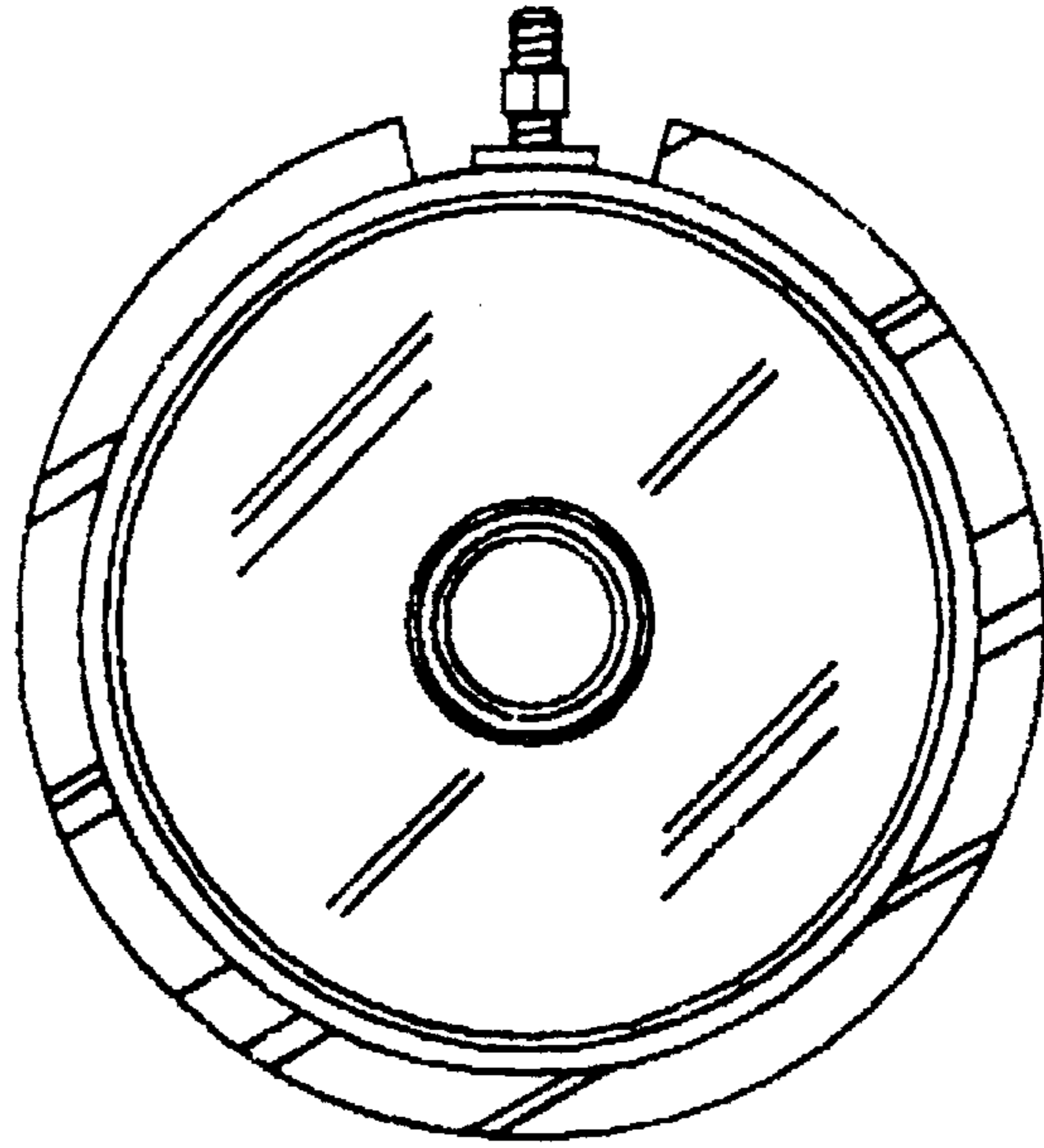


FIG. 14