



US00D383523S

United States Patent [19]

[11] Patent Number: **Des. 383,523**

Doughty et al.

[45] Date of Patent: ****Sep. 9, 1997**

[54] **HANDLE**

D. 328,559 8/1992 Wilson D8/312
3,301,580 1/1967 Greitzer 16/121 X

[75] Inventors: **Frederic C. Doughty**, S. Pasadena;
Darren M. Mark, Castaic, both of
Calif.

OTHER PUBLICATIONS

Acme Hardware Co., Inc 1965 p. 63 No 29/444 top left.
National Brass Builders Hardware bottom right No. 734 p.
51.
Tremco 1980, p. 50 bottom right No. 7409.
Kwee-Uer 1965 p. 28 top left.

[73] Assignee: **Emhart Inc.**, Newark, Del.

[**] Term: **14 Years**

Primary Examiner—Paula A. Mortimer
Attorney, Agent, or Firm—J. Bruce Hoffnagle

[21] Appl. No.: **44,300**

[22] Filed: **Sep. 22, 1995**

[57] CLAIM

[51] LOC (6) Cl. **23-01**

[52] U.S. Cl. **D23/250; D8/310**

The ornamental design for handle, as shown and described.

[58] Field of Search D8/300, 307, 310,
D8/312; D23/250, 254; 116/110 R, 121

DESCRIPTION

[56] References Cited

U.S. PATENT DOCUMENTS

- D. 66,978 4/1925 Martin D8/307
- D. 265,233 6/1982 Rosvik .
- D. 267,187 12/1982 Ronvik D8/310 X
- D. 276,838 12/1984 Hill et al. D8/307 X
- D. 279,403 6/1985 Doman .
- D. 287,270 12/1986 Yost .
- D. 290,494 6/1987 Dragos .
- D. 298,564 11/1988 Paul D8/307 X
- D. 300,652 4/1989 Kohler, Jr. et al. D8/312 X
- D. 306,552 3/1990 Paul D8/301

FIG. 1 is a perspective view of our new design of a handle;
FIG. 2 is a front elevational view of our new design of the
handle; a rear elevational view, a right side elevational view
and a left side elevational view being the same as the front
elevational view;

FIG. 3 is a top plan view of our new design of the handle;
FIG. 4 is a bottom plan view of our new design of the
handle; and,

FIG. 5 is a cross-sectional view taken along line 5—5 of
FIG. 3 showing certain aspects of our new design of the
handle.

1 Claim, 3 Drawing Sheets

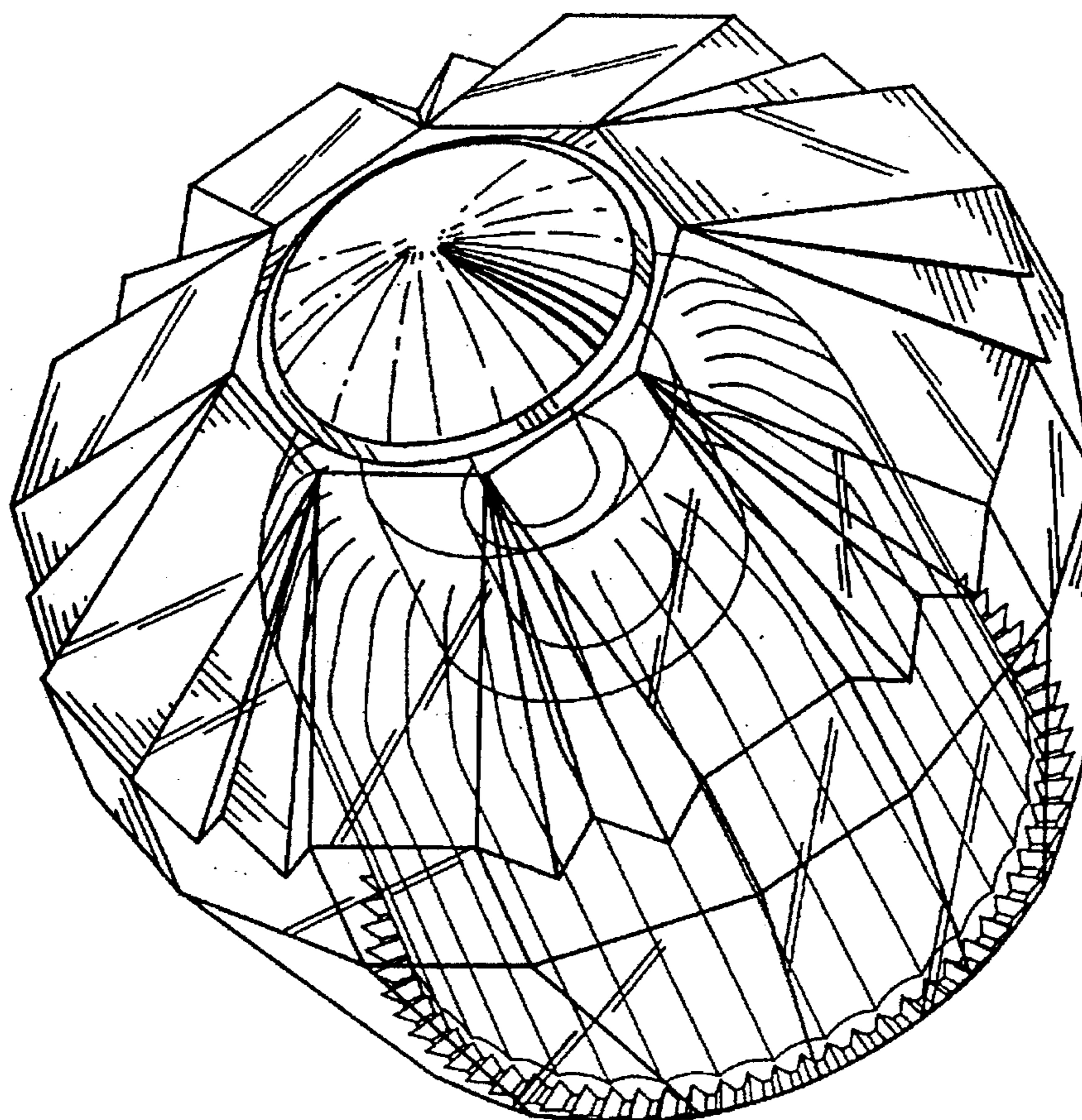


FIG. 1

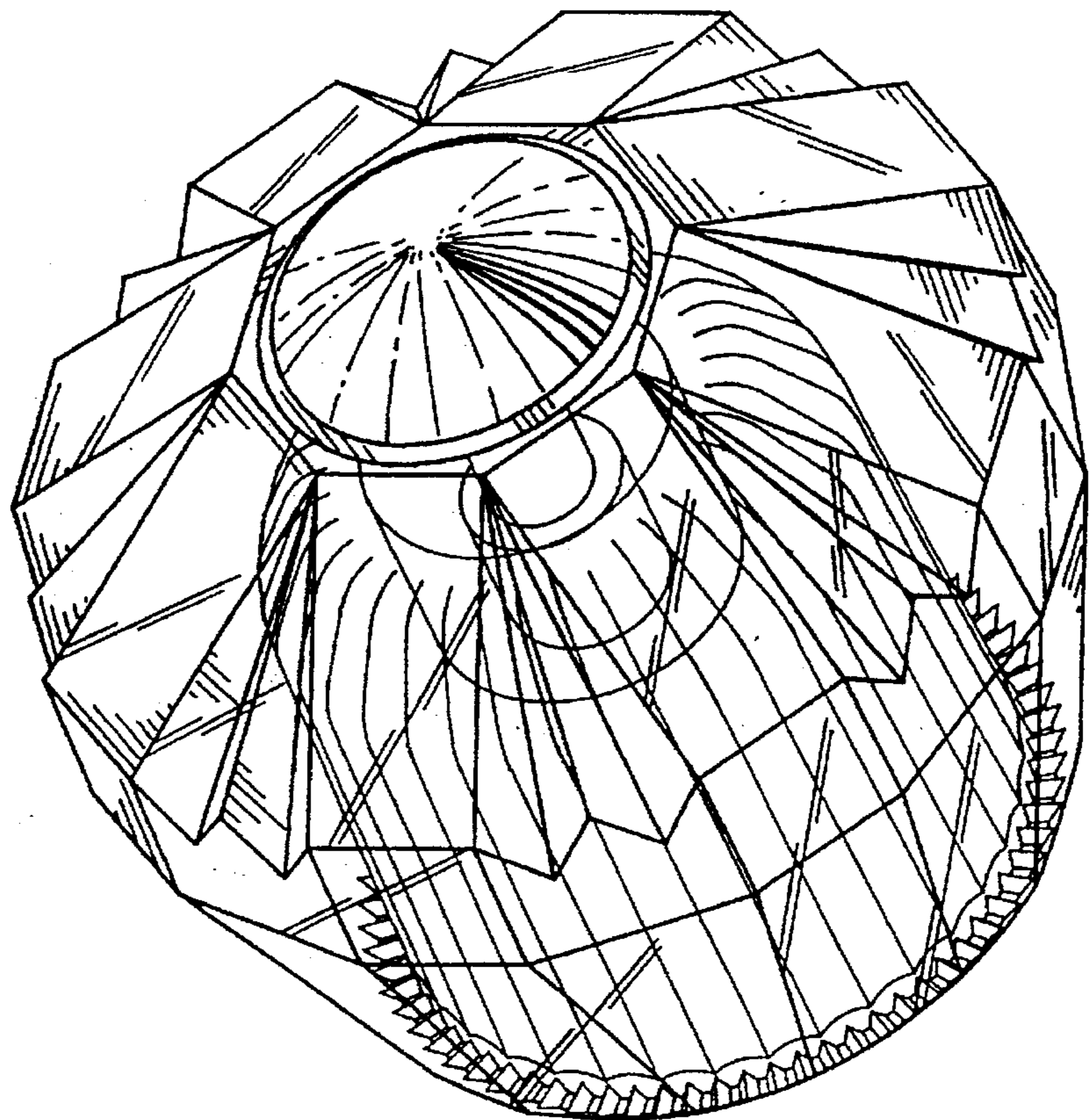


FIG. 2

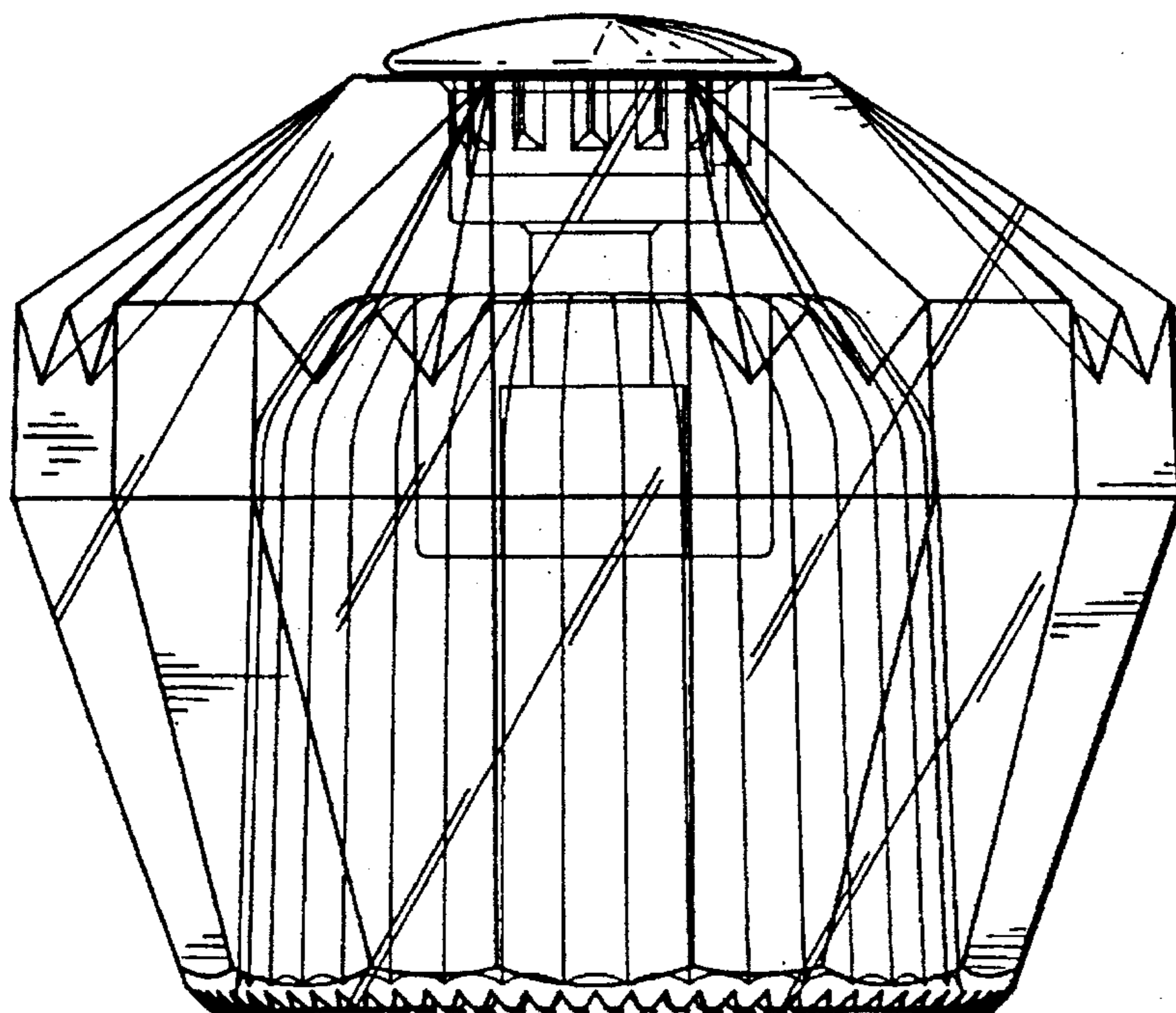


FIG. 3

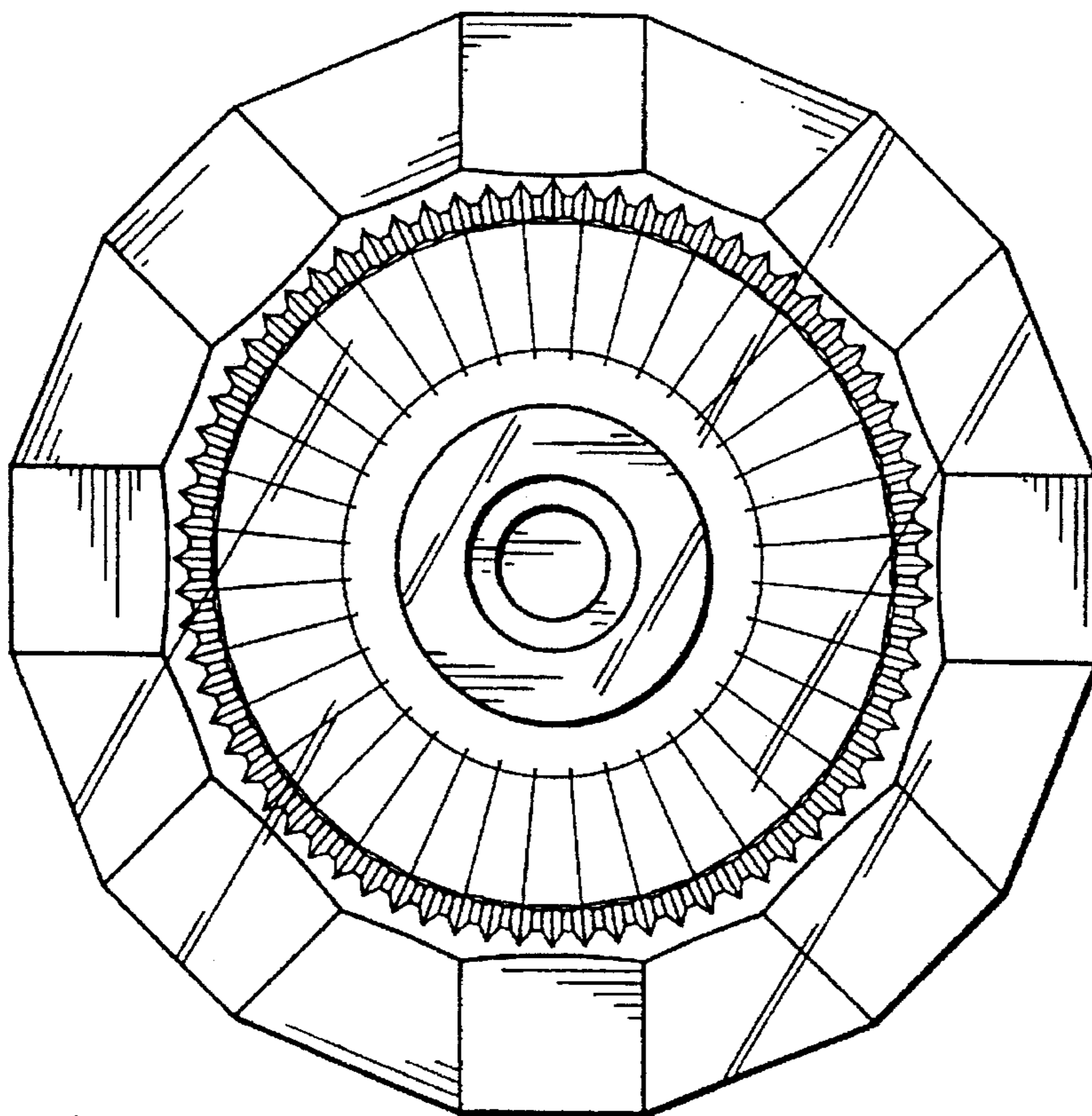
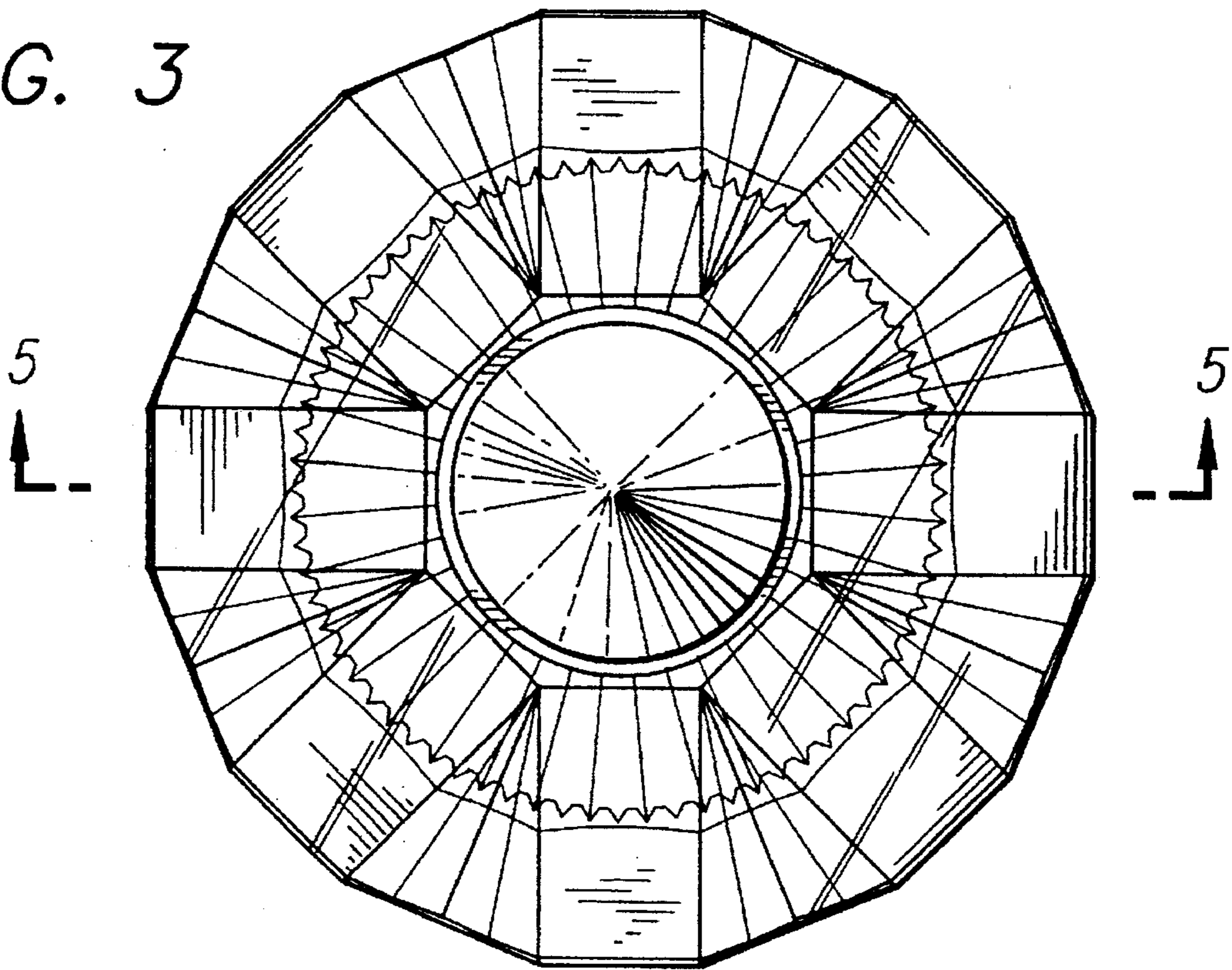


FIG. 4

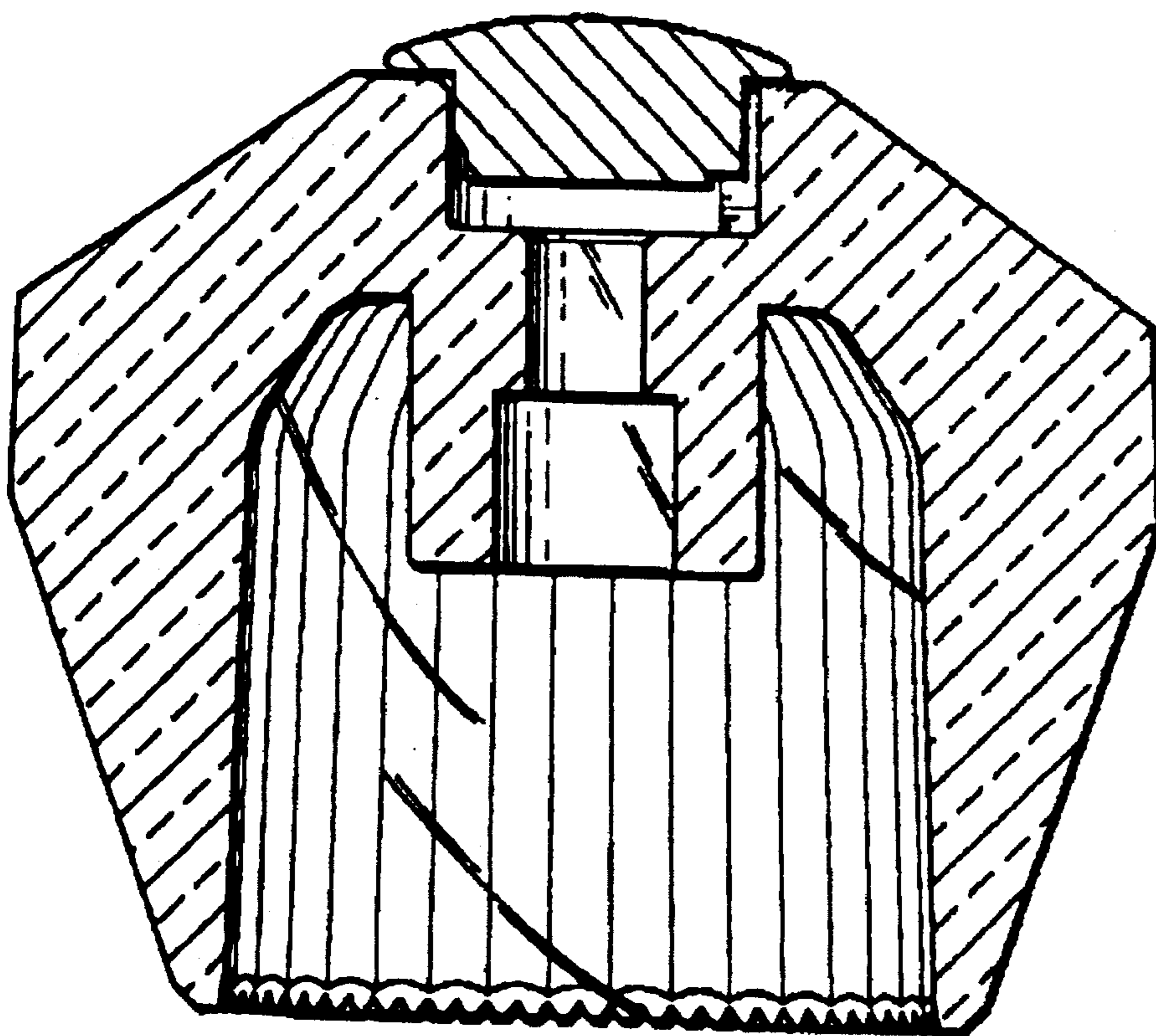


FIG. 5