

US00D383512S

# United States Patent [19]

[11] Patent Number: Des. 383,512

Schmidt et al.

[45] Date of Patent: \*\*Sep. 9, 1997

[54] GOLF PUTTER HEAD WITH UNDERCUT CAVITY BACK

608128 1/1994 European Pat. Off. .  
371974 5/1932 United Kingdom .

[75] Inventors: Glenn H. Schmidt, Malibu; Richard C. Helmstetter, Carlsbad, both of Calif.

### OTHER PUBLICATIONS

[73] Assignee: Callaway Golf Company, Carlsbad, Calif.

Spalding 1989 Golf Catalog; p. 25; TPM Gold (TPM I); lower left corner.

[\*\*] Term: 14 Years

French PCT WO 93/20904 published Oct. 28, 1993. Industrial Design (Canada), Reg. 20347, registered Nov. 18, 1959 to Reuter.

[21] Appl. No.: 24,688

"Some of Our Best Friends are Hookers and Pushers", Golf World, Jan. 1974, p. 45.

[22] Filed: Jun. 20, 1994

"The Ounce That Counts", Golf World, Jan. 24, 1975, pp. 46 & 47.

### Related U.S. Application Data

"Stroke-Savers", Golf Digest, Mar. 1988, pp. 82 & 83.

[63] Continuation-in-part of Ser. No. 16,187, Dec. 9, 1993.

"The Wilson Staff Dynapower Iron", Time Magazine, Mar. 24, 1967, p. 1.

[51] LOC (6) Cl. .... 21-02

"FTD Iron by First Flight", Golf World, May 23, 1972, p. 10.

[52] U.S. Cl. .... D21/219

"T.P. Super Blade", Golf World, Jun. 13, 1972, p. 25.

[58] Field of Search ..... D21/217-219;  
273/167-175

Golf World, Apr., 1990; p. 81 (iron on left at bottom of page).

Golf World, Jan., 1991; p. 36, (iron at bottom of page).

Golf World, Sep., 1990; p. 80.

Golf Digest, Feb., 1988; p. 177 (irons at upper right of page).

Busines Week, May 23, 1994.

### [56] References Cited

*Primary Examiner*—Prabhakar G. Deshmukh

*Assistant Examiner*—Mitchell I. Siegel

*Attorney, Agent, or Firm*—William W. Haefliger

#### U.S. PATENT DOCUMENTS

- D. 162,054 2/1951 Markovich .
- D. 228,355 9/1973 Penna .
- D. 234,963 4/1975 Hirata .
- D. 246,541 11/1977 Myers .
- D. 248,181 6/1978 Cervantes .
- D. 248,783 8/1978 Long .
- D. 303,132 8/1989 Muta .
- D. 320,427 10/1991 Antonious .
- D. 321,738 11/1991 Brown ..... D21/219
- D. 321,920 11/1991 Parente et al. .
- D. 328,936 8/1992 Antonious .
- D. 334,606 4/1993 Cameron .
- 1,517,476 12/1924 Tyler .
- 1,854,548 4/1932 Hunt .
- 1,993,928 3/1935 Glover .
- 2,231,847 2/1941 Dickson et al. .

### [57] CLAIM

The ornamental design for golf putter head with undercut cavity back, as shown and described.

(List continued on next page.)

### DESCRIPTION

FIG. 1 is a front face view of a putter head embodying our new design;

FIG. 2 is a top plan view thereof;

FIG. 3 is a toe end view thereof;

FIG. 4 is a heel end view thereof;

FIG. 5 is a bottom plan view thereof;

FIG. 6 is a rear view thereof;

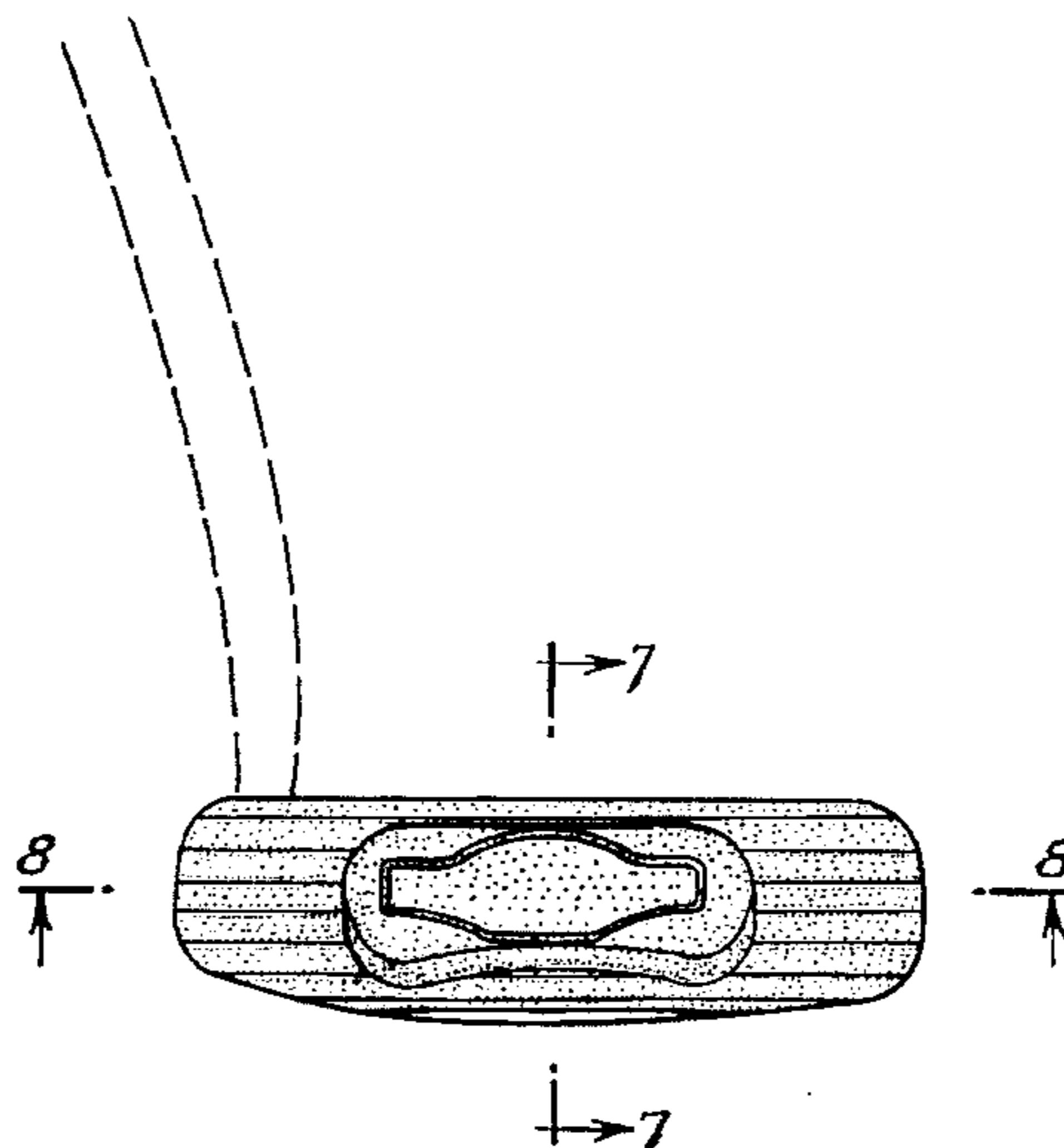
FIG. 7 is a sectional view taken on lines 7—7 of FIG. 6; and,

FIG. 8 is a sectional view taken on lines 8—8 of FIG. 6.

#### FOREIGN PATENT DOCUMENTS

582366 4/1993 European Pat. Off. .

1 Claim, 3 Drawing Sheets



## U.S. PATENT DOCUMENTS

|           |         |                     |           |         |                    |
|-----------|---------|---------------------|-----------|---------|--------------------|
| 3,068,011 | 12/1962 | Sano .              | 4,854,581 | 8/1989  | Long .             |
| 3,134,596 | 5/1964  | Boznos .            | 4,865,345 | 9/1989  | Piegay .           |
| 3,199,872 | 8/1965  | Taylor .            | 4,869,507 | 9/1989  | Sahm .             |
| 3,749,408 | 7/1973  | Mills ..... 273/171 | 4,884,812 | 12/1989 | Nagasaki et al. .  |
| 3,841,641 | 10/1974 | Bennett .           | 4,913,435 | 4/1990  | Kobayashi .        |
| 3,847,399 | 11/1974 | Raymont .           | 4,928,972 | 5/1990  | Nakanishi et al. . |
| 3,923,308 | 12/1975 | Mills .             | 4,957,294 | 9/1990  | Long .             |
| 3,967,826 | 7/1976  | Judice .            | 4,960,279 | 10/1990 | Harris, Jr. .      |
| 4,043,562 | 8/1977  | Shillington .       | 4,964,640 | 10/1990 | Nakanishi et al. . |
| 4,113,249 | 9/1978  | Beery .             | 4,986,541 | 1/1991  | Teramoto et al. .  |
| 4,121,832 | 10/1978 | Ebbing .            | 4,995,609 | 2/1991  | Parente et al. .   |
| 4,199,144 | 4/1980  | Skelly .            | 4,995,630 | 2/1991  | Piegay .           |
| 4,398,965 | 8/1983  | Campau .            | 5,016,882 | 5/1991  | Fujimura et al. .  |
| 4,405,149 | 9/1983  | Piegay .            | 5,060,949 | 10/1991 | Brill .            |
| 4,420,156 | 12/1983 | Campau .            | 5,067,711 | 11/1991 | Parente et al. .   |
| 4,438,946 | 3/1984  | Piegay .            | 5,078,398 | 1/1992  | Reed et al. .      |
| 4,447,493 | 5/1984  | Driscoll et al. .   | 5,110,131 | 5/1992  | Long .             |
| 4,484,746 | 11/1984 | Brill .             | 5,118,562 | 6/1992  | Johnson et al. .   |
| 4,534,564 | 8/1985  | Yamada .            | 5,127,653 | 7/1992  | Nelson .           |
| 4,573,685 | 3/1986  | Young, IV et al. .  | 5,154,423 | 10/1992 | Antonious .        |
| 4,582,321 | 4/1986  | Yoneyama .          | 5,176,384 | 1/1993  | Sata et al. .      |
| 4,632,400 | 12/1986 | Boone .             | 5,193,805 | 3/1993  | Solheim .          |
| 4,655,459 | 4/1987  | Antonious .         | 5,222,734 | 6/1993  | Parente et al. .   |
| 4,715,601 | 12/1987 | Lamanna .           | 5,242,167 | 9/1993  | Antonious .        |
| 4,740,345 | 4/1988  | Nagasaki et al. .   | 5,246,231 | 9/1993  | Antonious .        |
| 4,798,383 | 1/1989  | Nagasaki et al. .   | 5,248,145 | 9/1993  | Brown .            |
| 4,848,747 | 7/1989  | Fujimura et al. .   | 5,301,946 | 4/1994  | Schmidt et al. .   |
|           |         |                     | 5,340,107 | 8/1994  | Baker et al. .     |

FIG. 1.

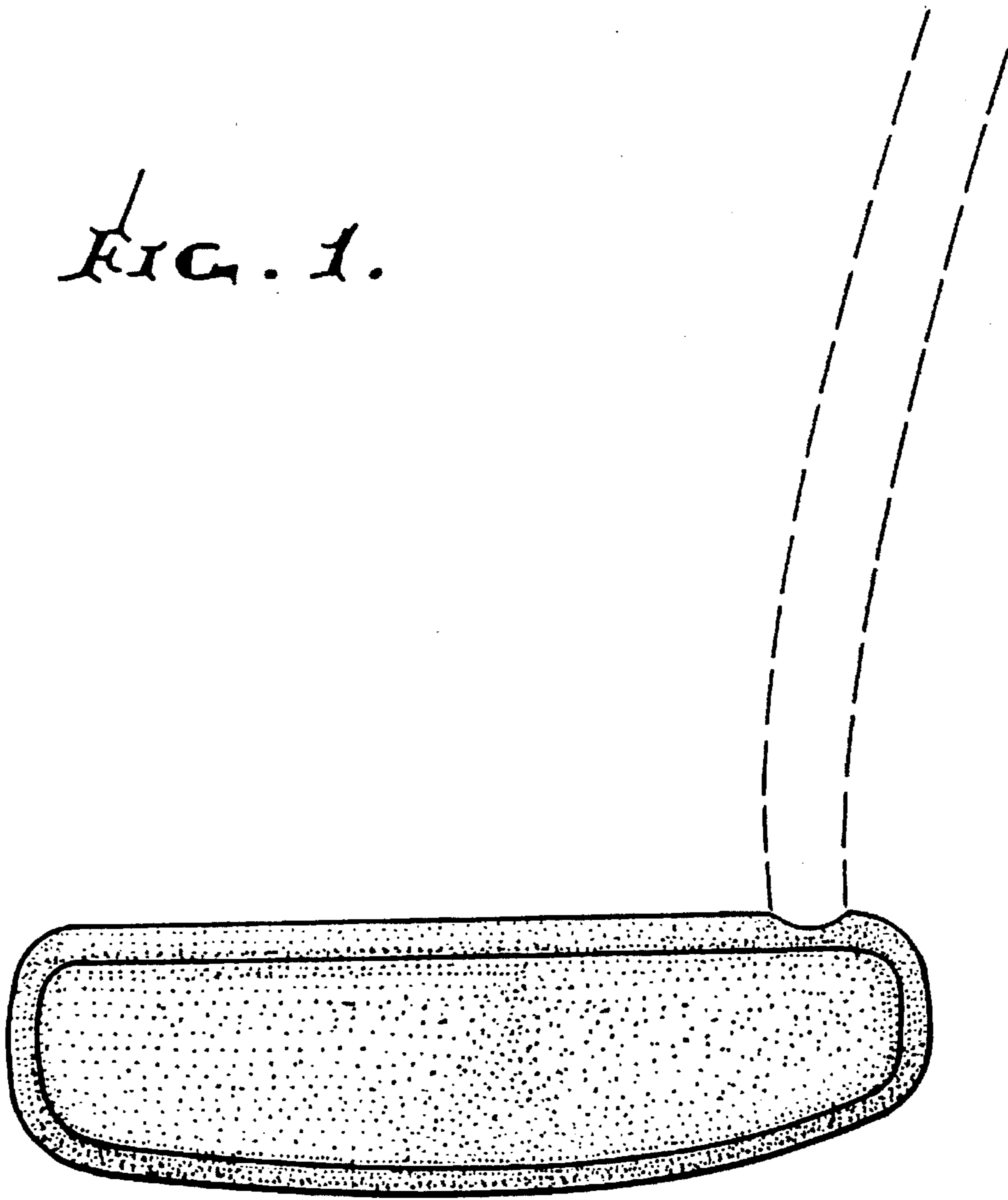
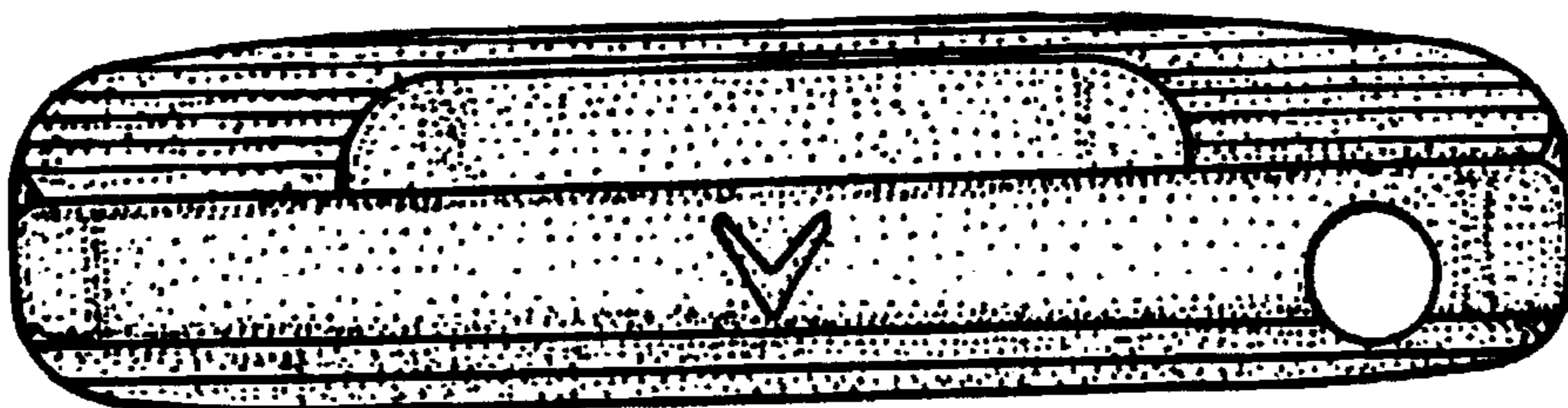


FIG. 2.



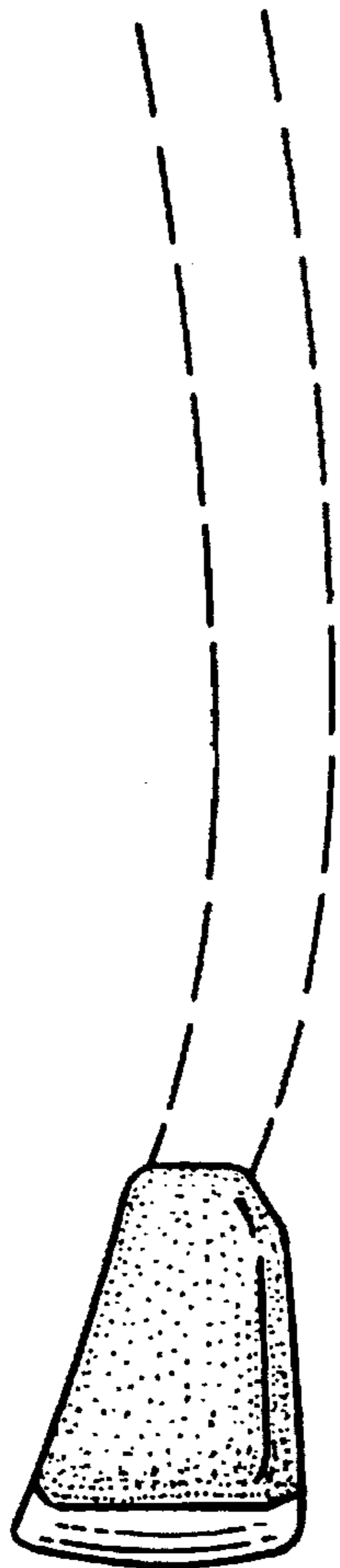


FIG. 3.

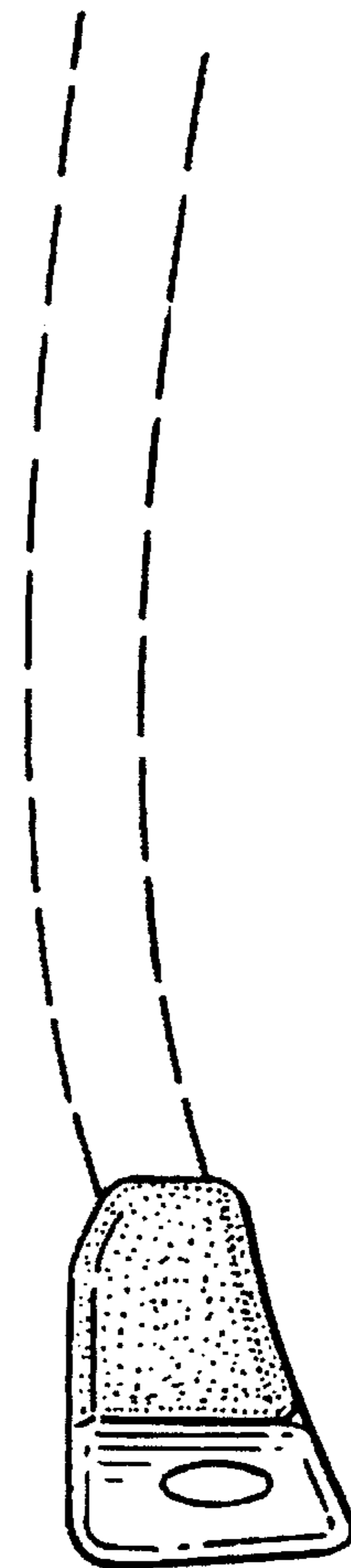


FIG. 4.

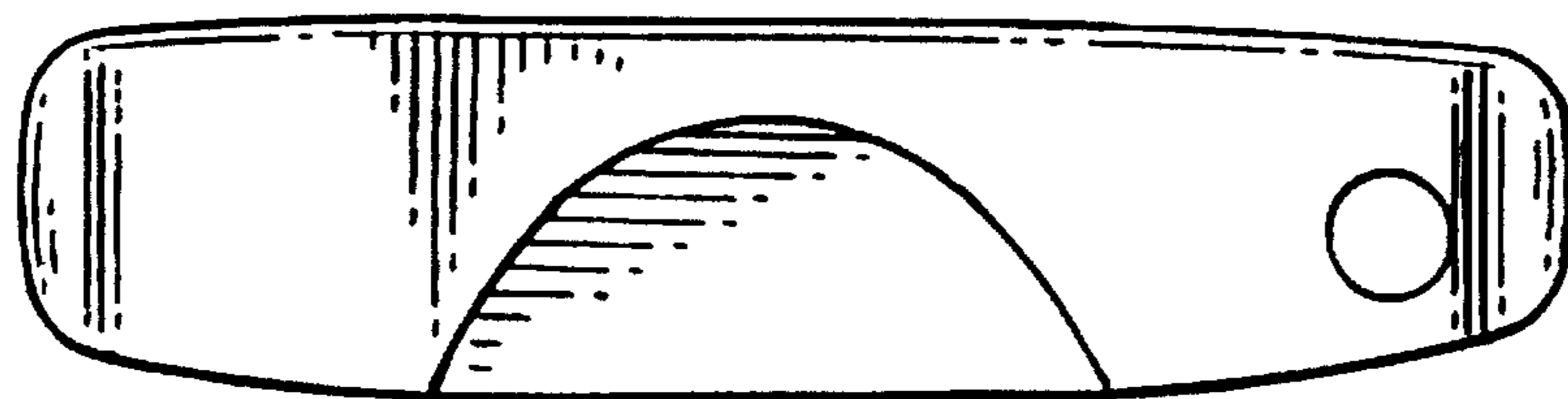


FIG. 5.

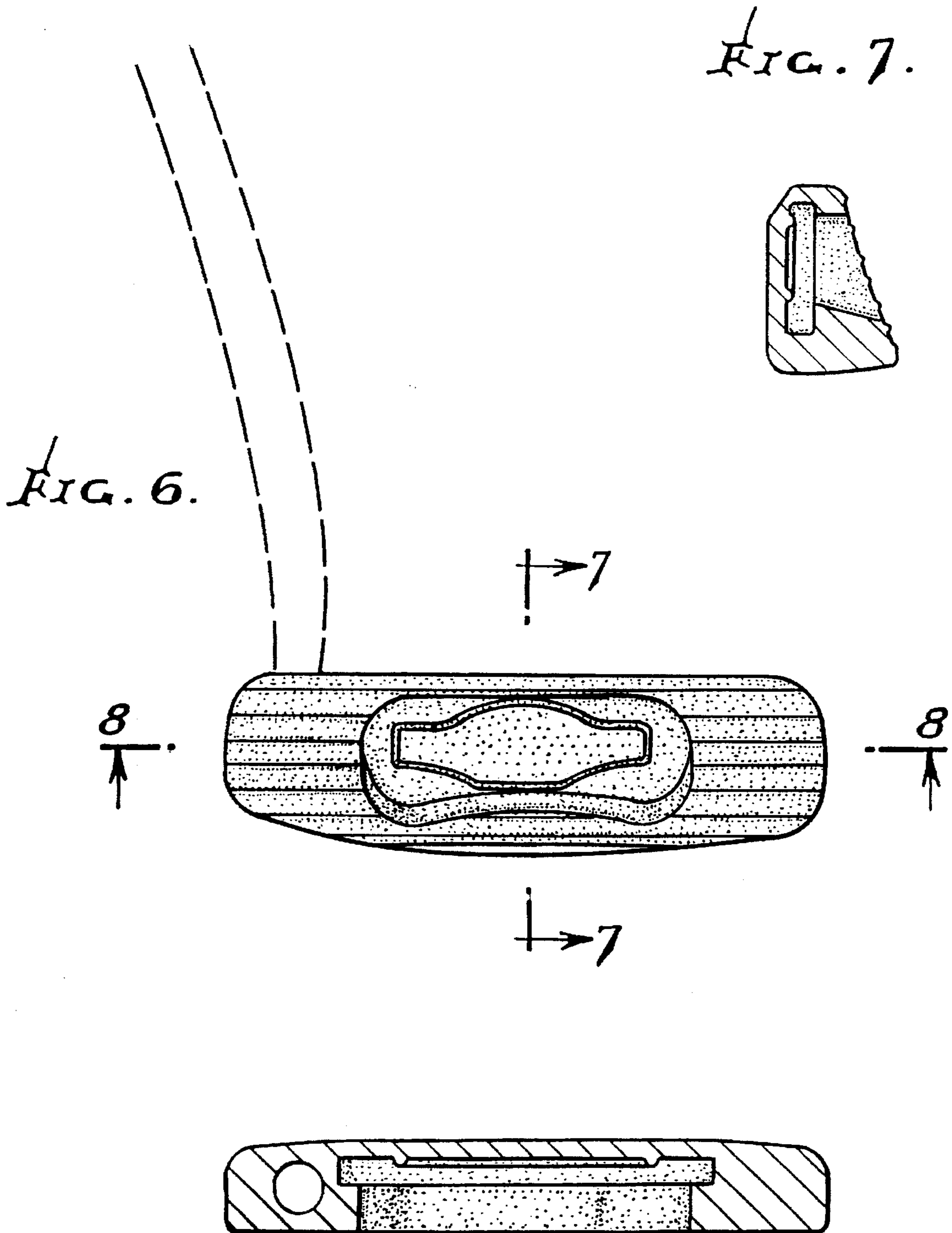


FIG. 7.

FIG. 6.

FIG. 8.