



US00D383508S

United States Patent [19]

[11] Patent Number: **Des. 383,508**

Urvoy

[45] Date of Patent: ****Sep. 9, 1997**

[54] **TOY WORKBENCH**

[75] Inventor: **Jean-Jacques Urvoy**, Paris, France

[73] Assignee: **Meccano, S.A.**, Calais, France

[**] Term: **14 Years**

[21] Appl. No.: **51,015**

[22] Filed: **Mar. 1, 1996**

[30] **Foreign Application Priority Data**

Oct. 2, 1995 [XH] Hague Agreement D12220

[51] LOC (6) Cl. **21-01**

[52] U.S. Cl. **D21/121**

[58] Field of Search D6/400; D21/59,
D21/114, 121, 122, 123, 108; 446/476,
479, 481, 482

[56] **References Cited**

U.S. PATENT DOCUMENTS

- D. 129,929 10/1941 Pressman D21/121
- D. 267,571 1/1983 Riehm D21/121
- D. 277,019 1/1985 Appel et al. D21/121

- D. 293,254 12/1987 Appel et al. D21/121
- D. 293,456 12/1987 Smith D21/121
- D. 302,030 7/1989 Breuil D21/121
- D. 349,135 7/1994 Strayer D21/59
- D. 366,504 1/1996 Bannick D21/59
- 4,992,069 2/1991 Bolli 446/476

Primary Examiner—Raphael Barkai
Attorney, Agent, or Firm—Pennie & Edmonds LLP

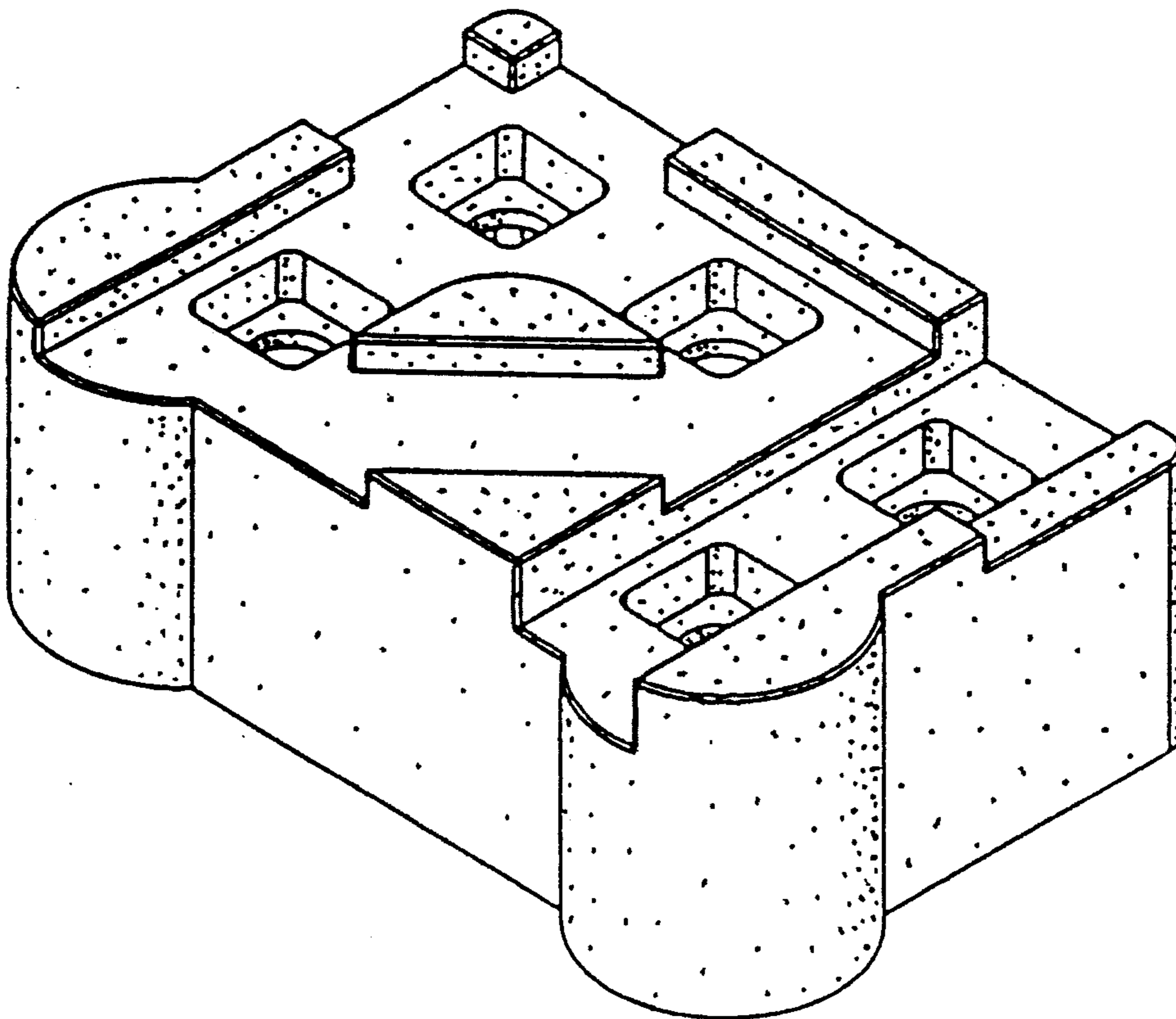
[57] **CLAIM**

The ornamental design for a toy workbench, as shown and described.

DESCRIPTION

FIG. 1 is a top perspective view of a toy workbench showing my new design;
 FIG. 2 is a bottom perspective view thereof;
 FIG. 3 is a top side view thereof;
 FIG. 4 is a bottom side view thereof;
 FIG. 5 is a front side view thereof;
 FIG. 6 is a rear side view thereof;
 FIG. 7 is a left side view thereof; and,
 FIG. 8 is a right side view thereof.

1 Claim, 3 Drawing Sheets



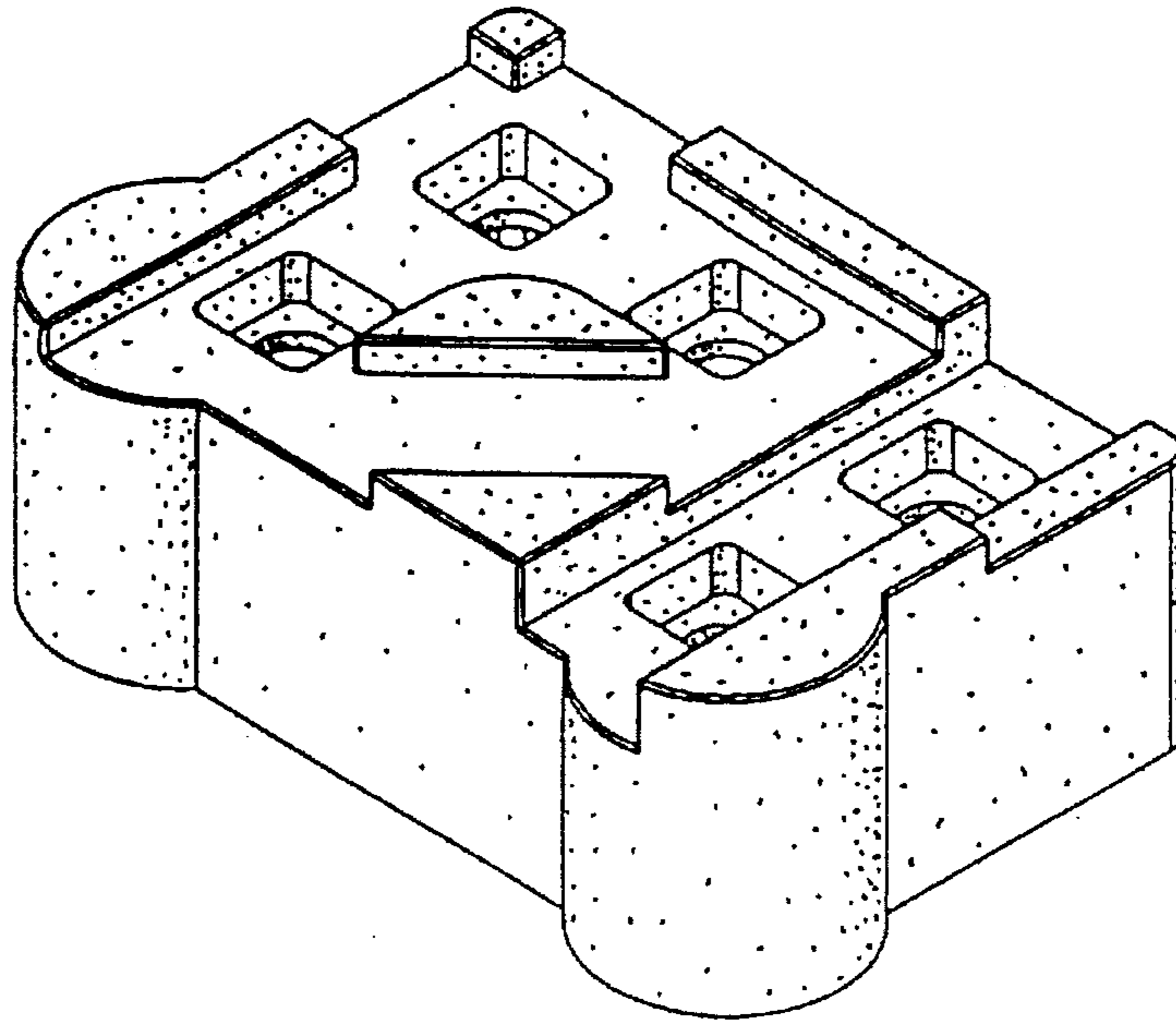


FIG. 1

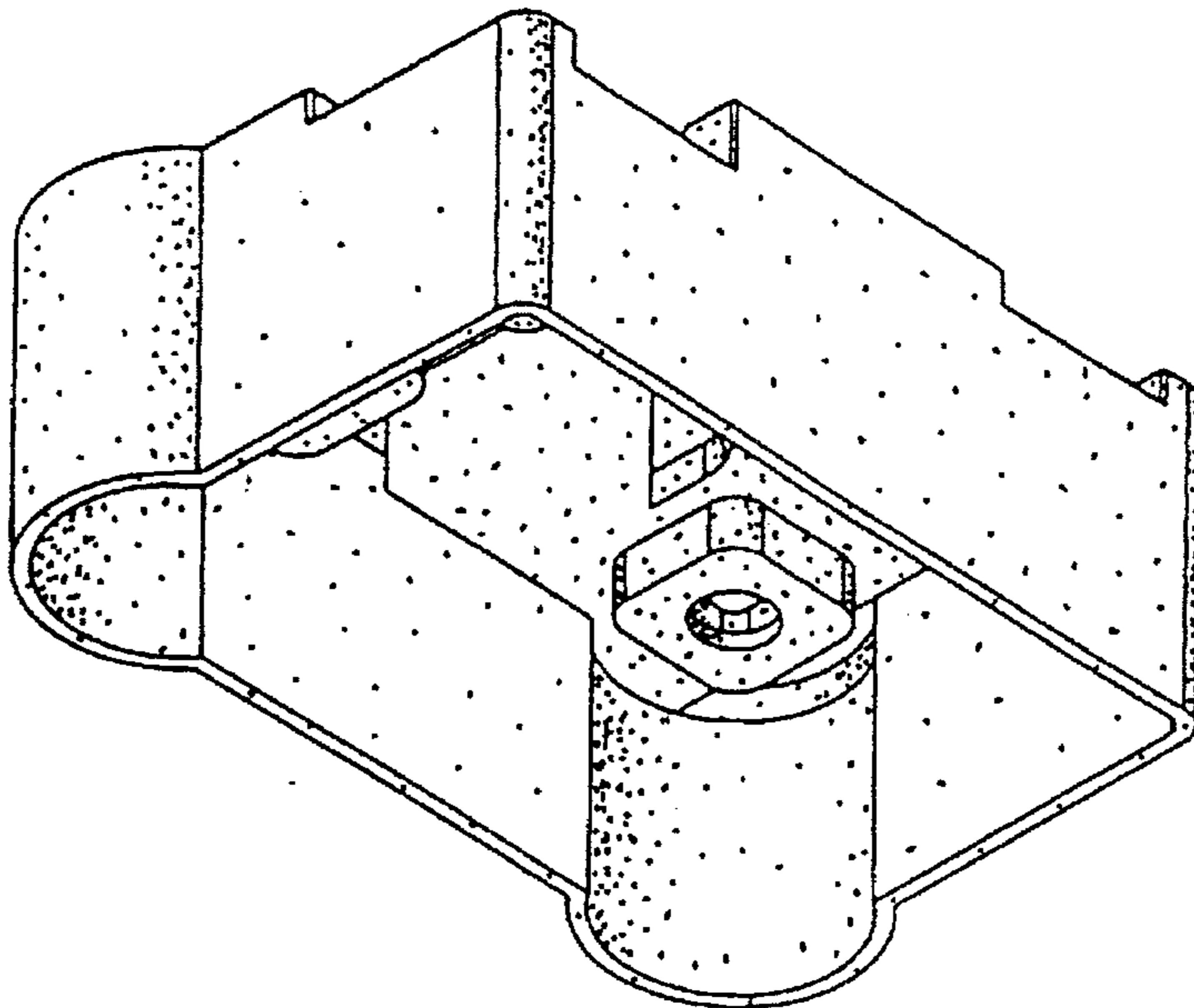


FIG. 2

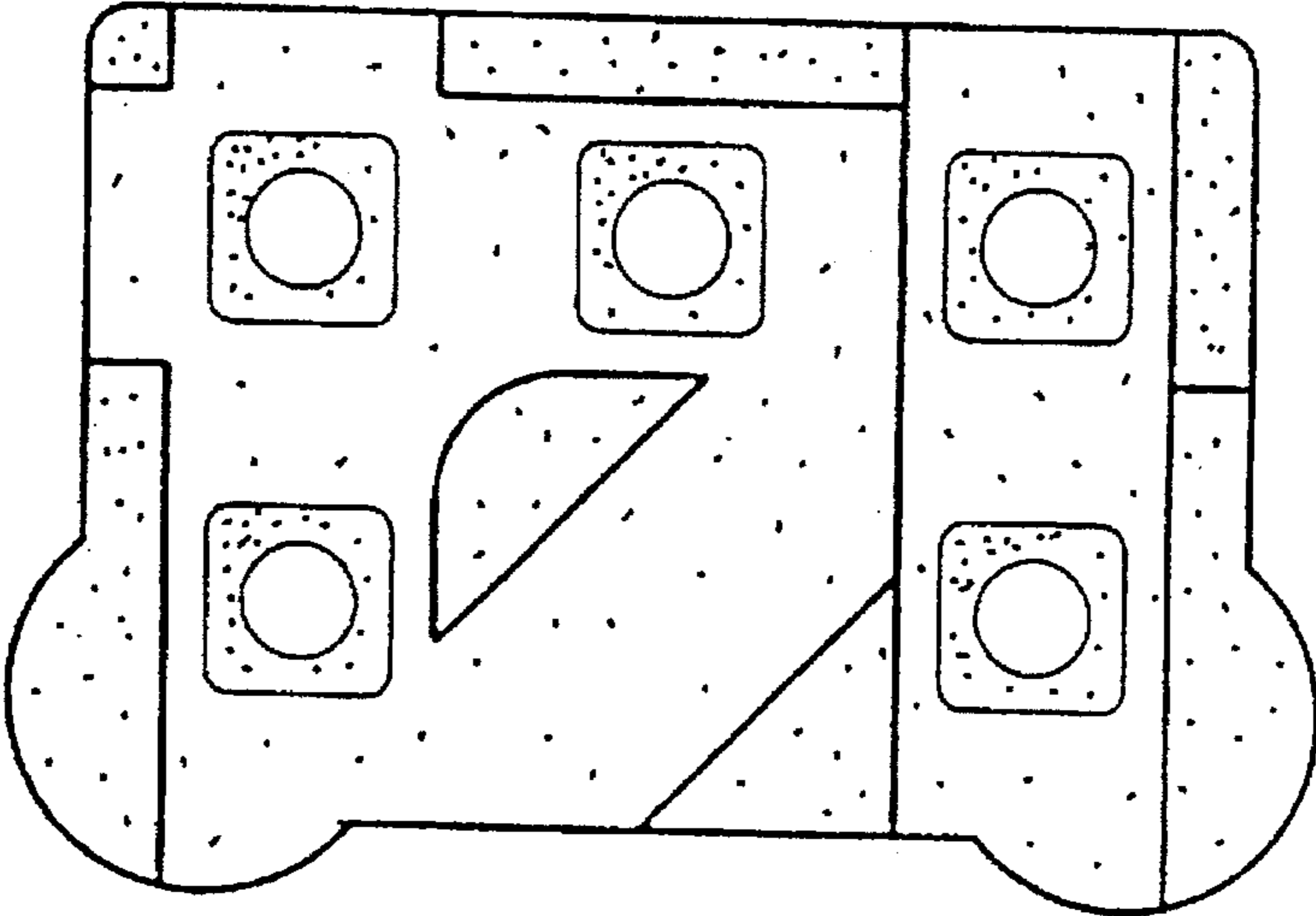


FIG. 3

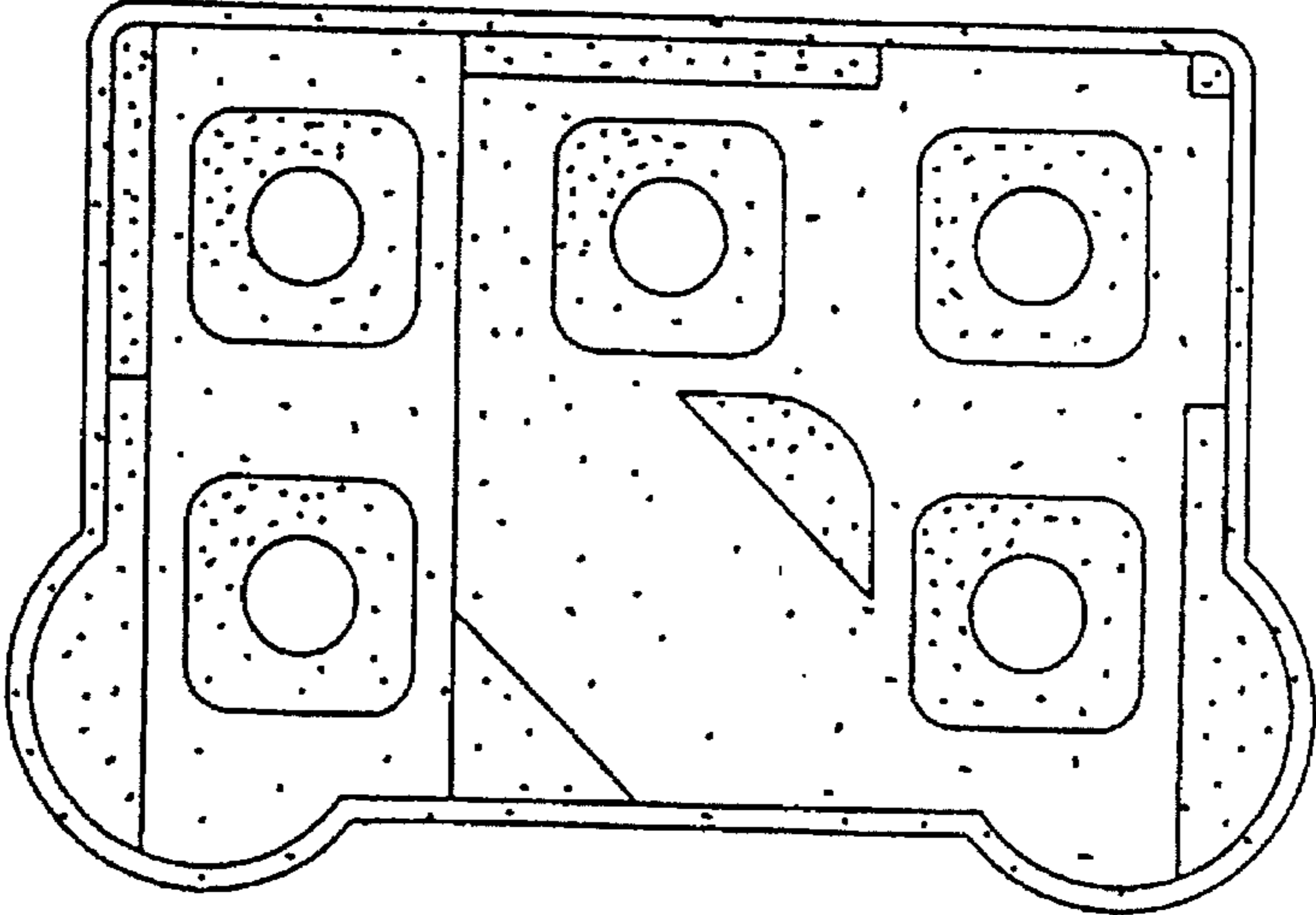


FIG. 4

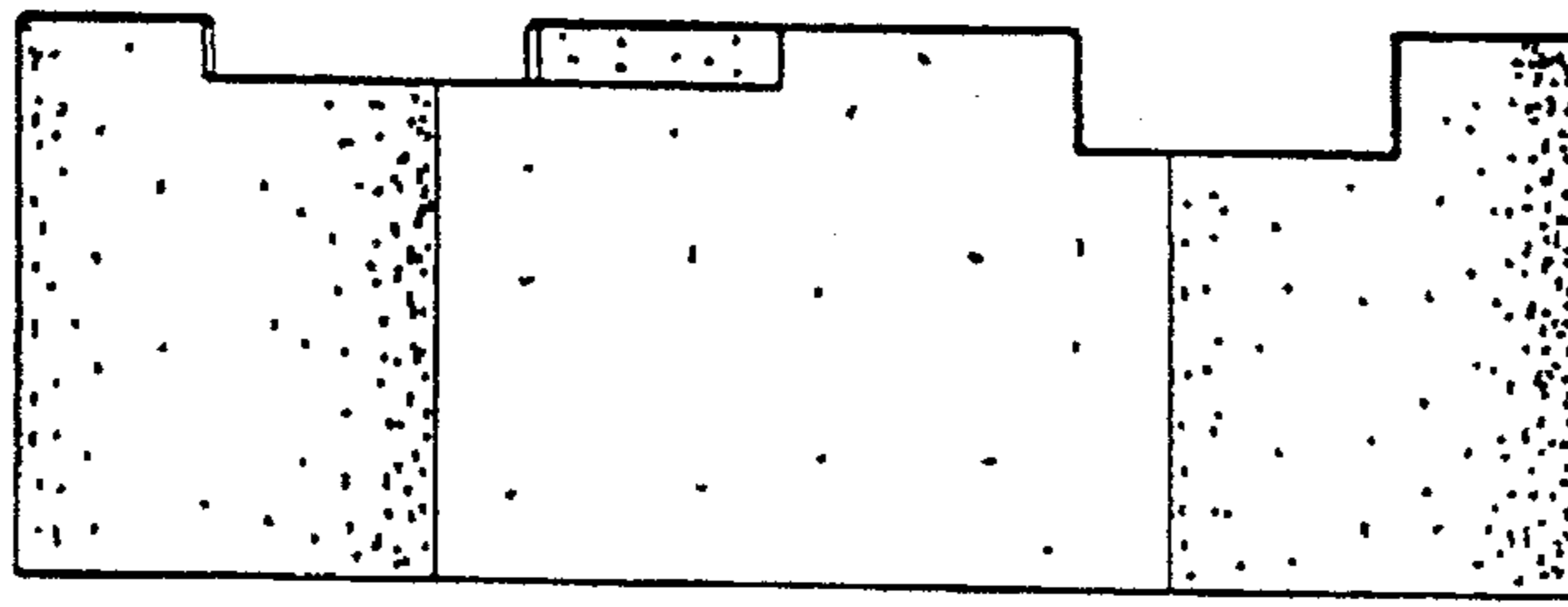


FIG. 5

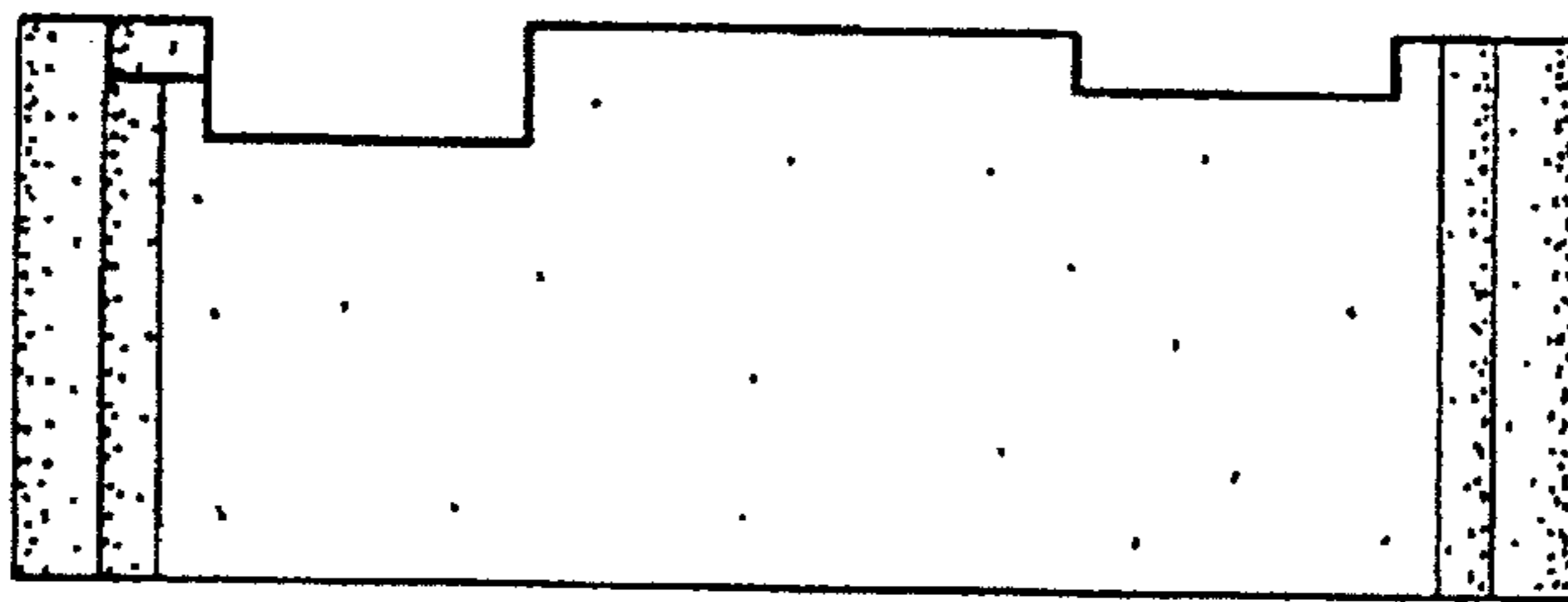


FIG. 6

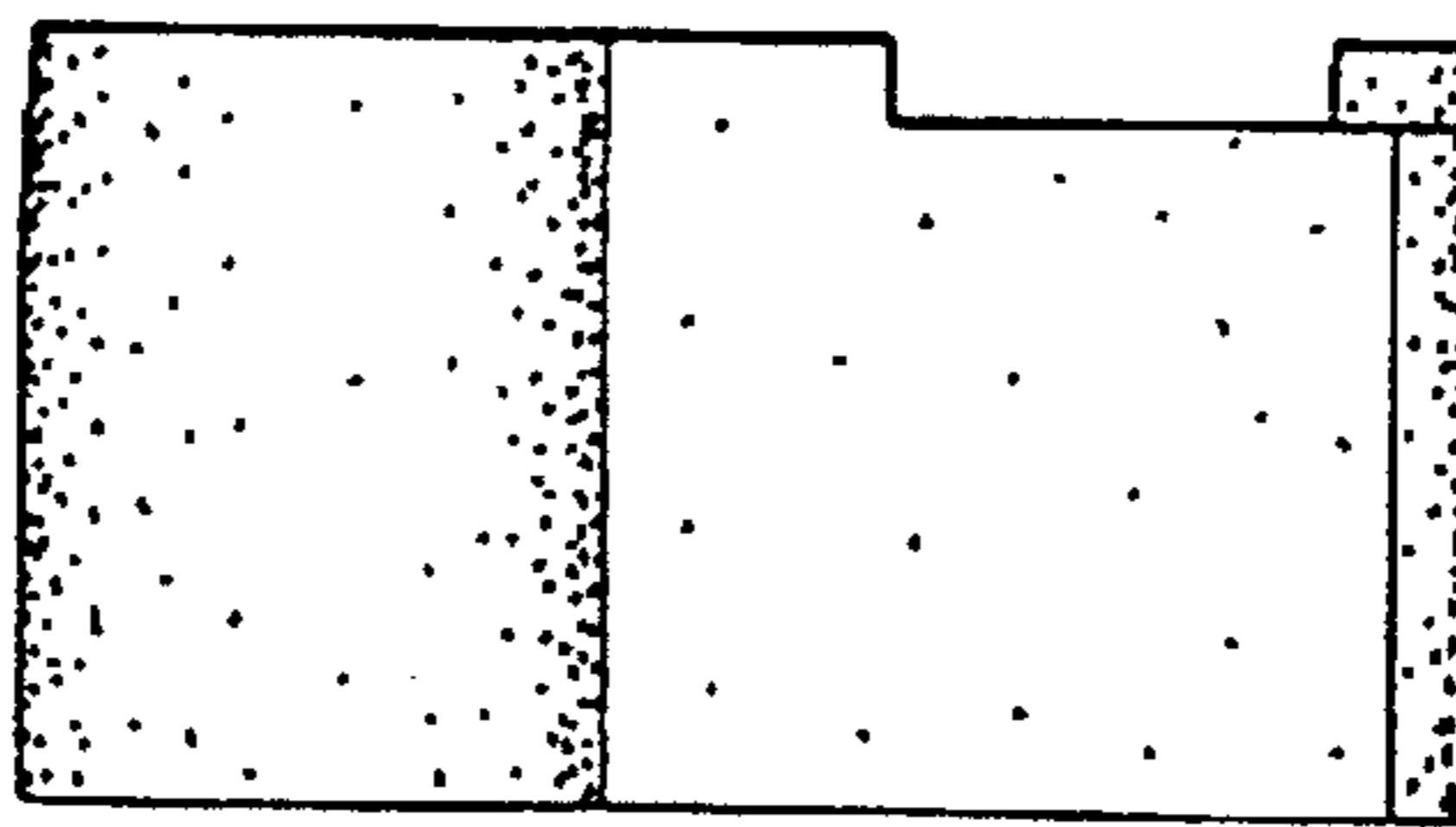


FIG. 7

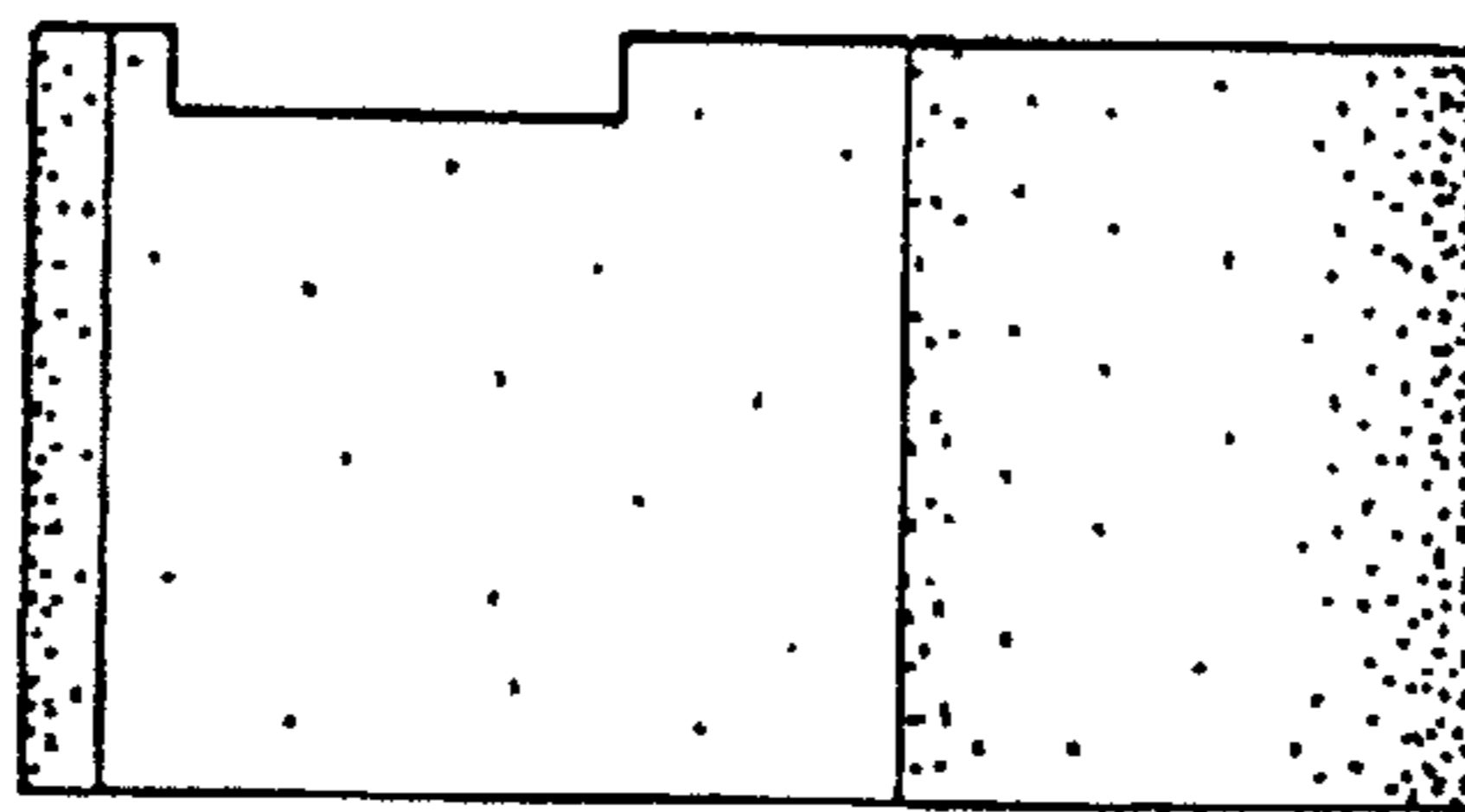


FIG. 8