



US00D383507S

United States Patent [19]

[11] Patent Number: Des. 383,507

Bro et al.

[45] Date of Patent: **Sep. 9, 1997

[54] CHILD'S PLAY CENTER

[75] Inventors: **Jay M. Bro**, Plano; **Scott Duplantis**, Dallas, both of Tex.; **Pete Hill**, Lancaster, N.Y.; **Tony R. Maness**, Lewisville, Tex.

[73] Assignee: **Today's Kids, Inc.**, Booneville, Ark.

[**] Term: **14 Years**

[21] Appl. No.: **50,108**

[22] Filed: **Feb. 8, 1996**

[51] LOC (6) Cl. **21-01**

[52] U.S. Cl. **D21/121**

[58] Field of Search D21/114, 121, D21/122, 240, 59; 446/476, 479, 481, 482

[56] References Cited

U.S. PATENT DOCUMENTS

| | | | |
|------------|---------|-----------------------|---------|
| D. 258,162 | 2/1981 | Orenstein et al. | D21/121 |
| D. 277,020 | 1/1985 | Mariol | D21/122 |
| D. 282,942 | 3/1986 | Hartelius | D21/122 |
| D. 287,379 | 12/1986 | Edmisson et al. | D21/122 |
| D. 293,699 | 1/1988 | Thornell | D21/121 |
| D. 308,896 | 6/1990 | Ng | D21/121 |
| D. 332,646 | 1/1993 | Aker et al. | D21/121 |
| D. 358,434 | 5/1995 | Brown et al. | D21/121 |

Primary Examiner—Raphael Barkai
Attorney, Agent, or Firm—Kirkpatrick & Lockhart LLP

[57] CLAIM

The ornamental design for a child's play center, as shown and described.

DESCRIPTION

FIG. 1 is a front perspective view of a child's play center showing our new design with the vertical activity board and the table top thereof in first positions;

FIG. 2 is a rear perspective view of the child's play center of FIG. 1;

FIG. 3 is a front elevational view of the child's play center of FIGS. 1 and 2;

FIG. 4 is a rear elevational view of the child's play center of FIGS. 1-3;

FIG. 5 is a right side elevational view of the child's play center of FIGS. 1-4;

FIG. 6 is a left side elevational view of the child's play center of FIGS. 1-5;

FIG. 7 is a top view of the child's play center of FIGS. 1-6;

FIG. 8 is a bottom view of the child's play center of FIGS. 1-7;

FIG. 9 is a front perspective view of a child's play center showing our new design with the vertical activity board and the table top thereof in second positions;

FIG. 10 is a rear perspective view of the child's play center of FIG. 9;

FIG. 11 is a front elevational view of the child's play center of FIGS. 9 and 10;

FIG. 12 is a rear elevational view of the child's play center of FIGS. 9-11;

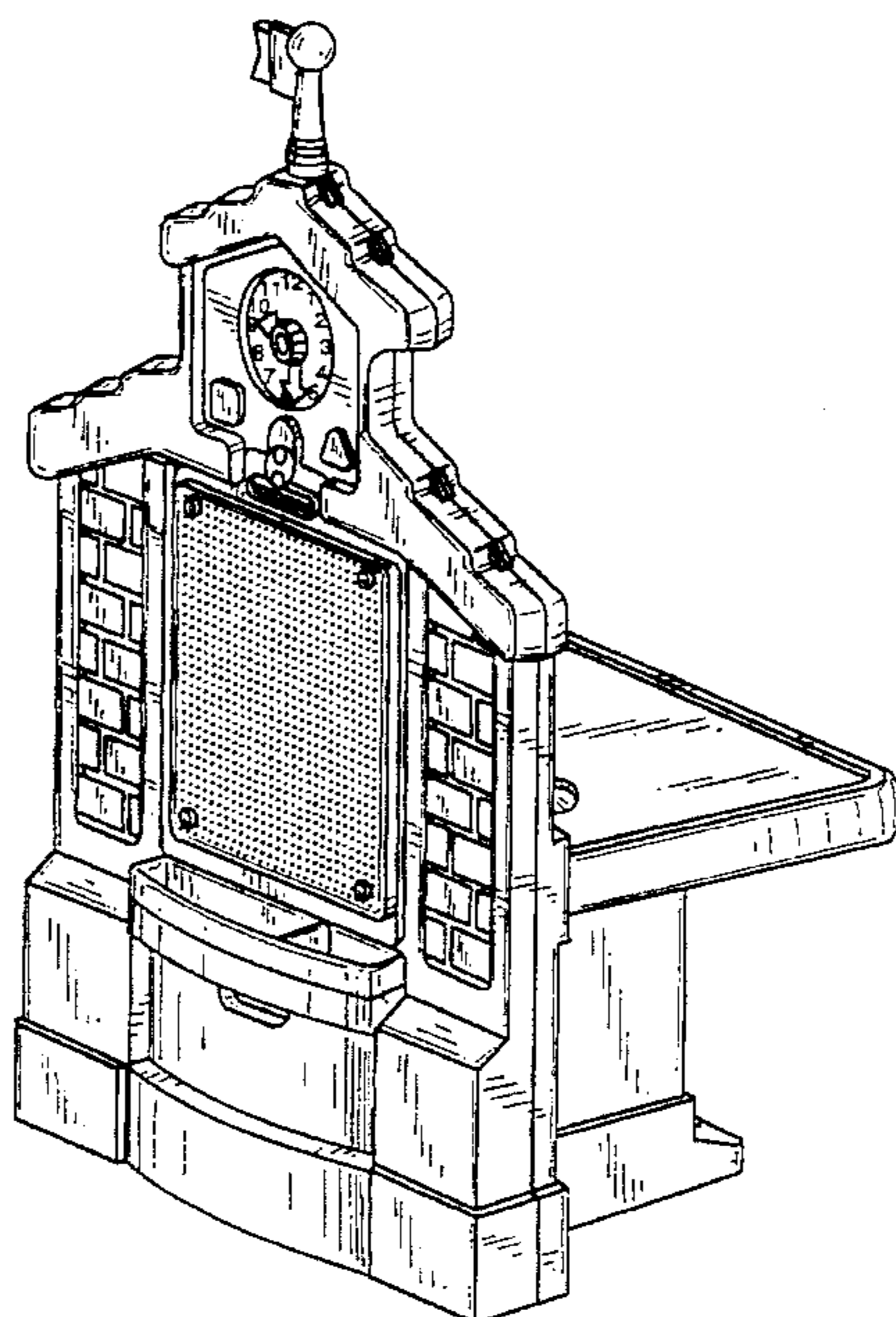
FIG. 13 is a right side elevational view of the child's play center of FIGS. 9-12;

FIG. 14 is a left side elevational view of the child's play center of FIGS. 9-13;

FIG. 15 is a top view of the child's play center of FIGS. 9-14; and,

FIG. 16 is a bottom view of the child's play center of FIGS. 9-15.

1 Claim, 14 Drawing Sheets



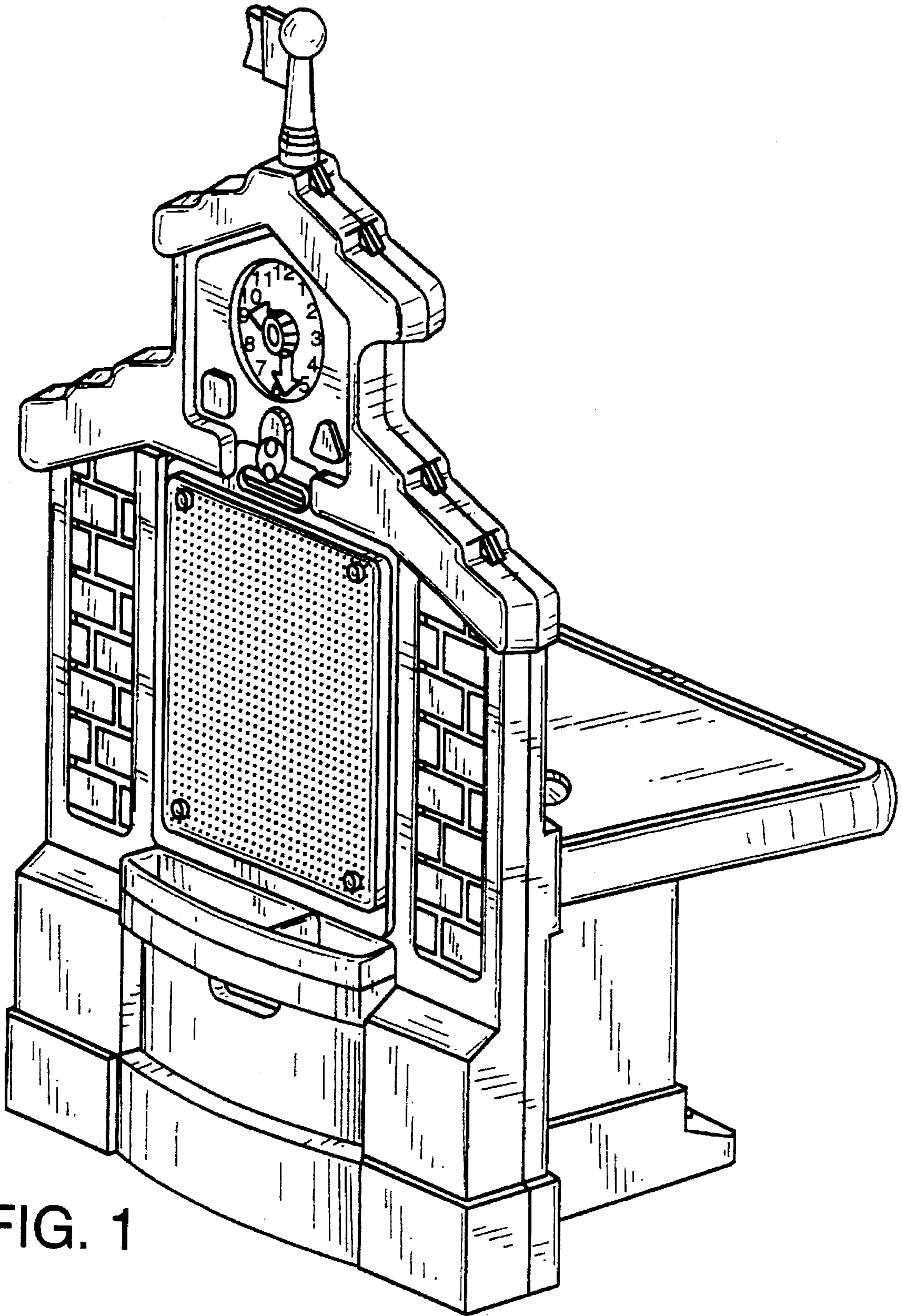


FIG. 1

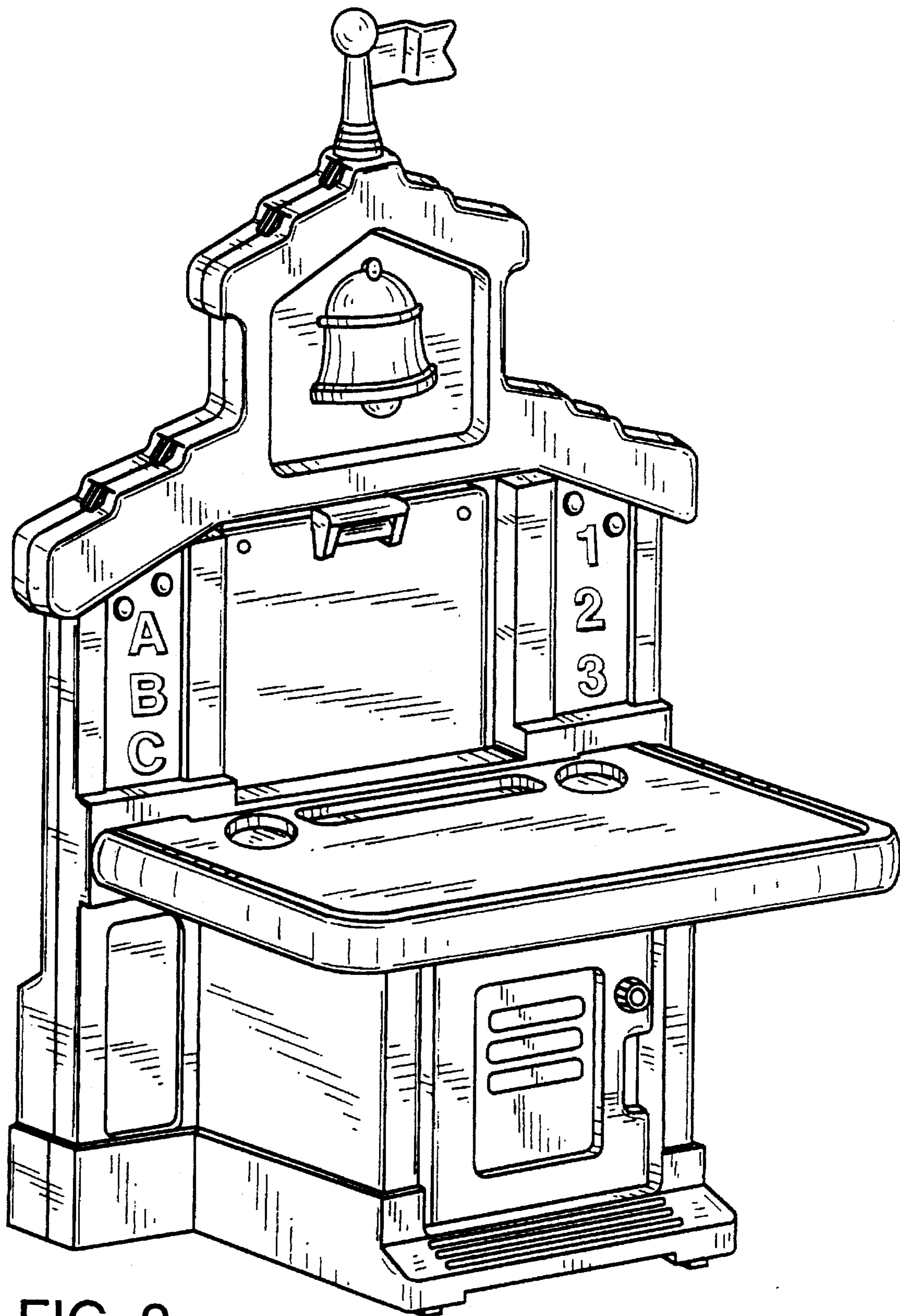


FIG. 2

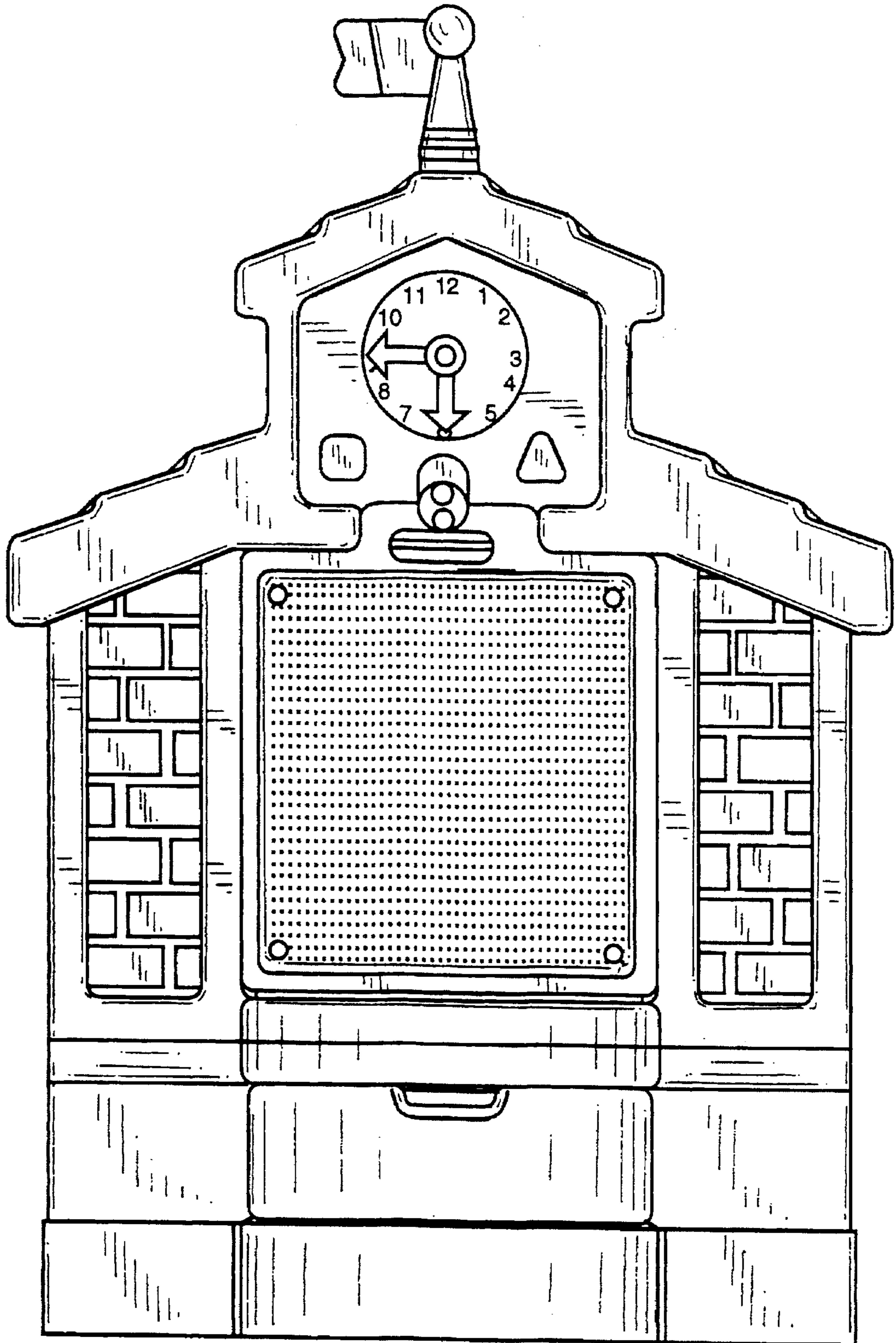


FIG. 3

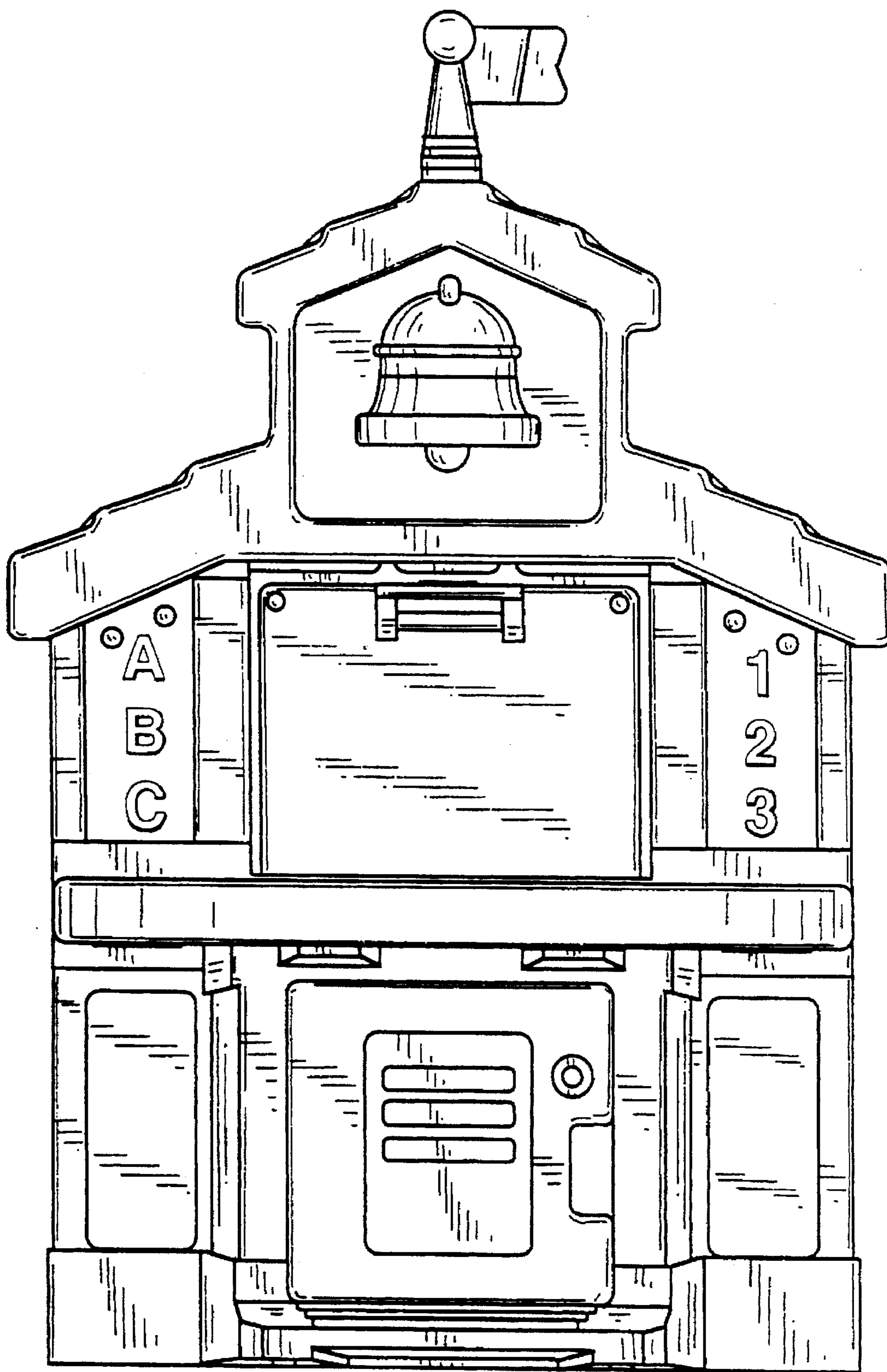


FIG. 4

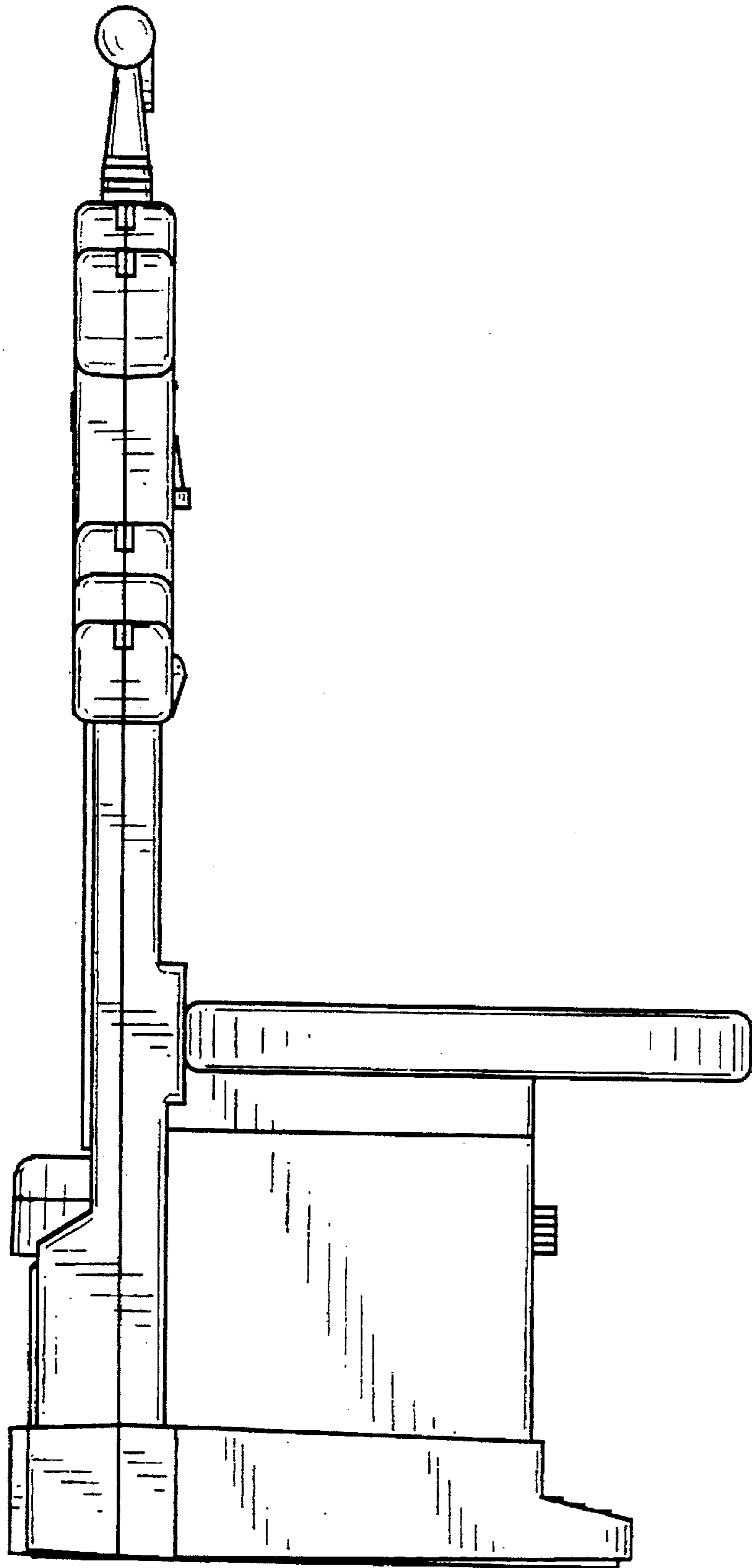


FIG. 5

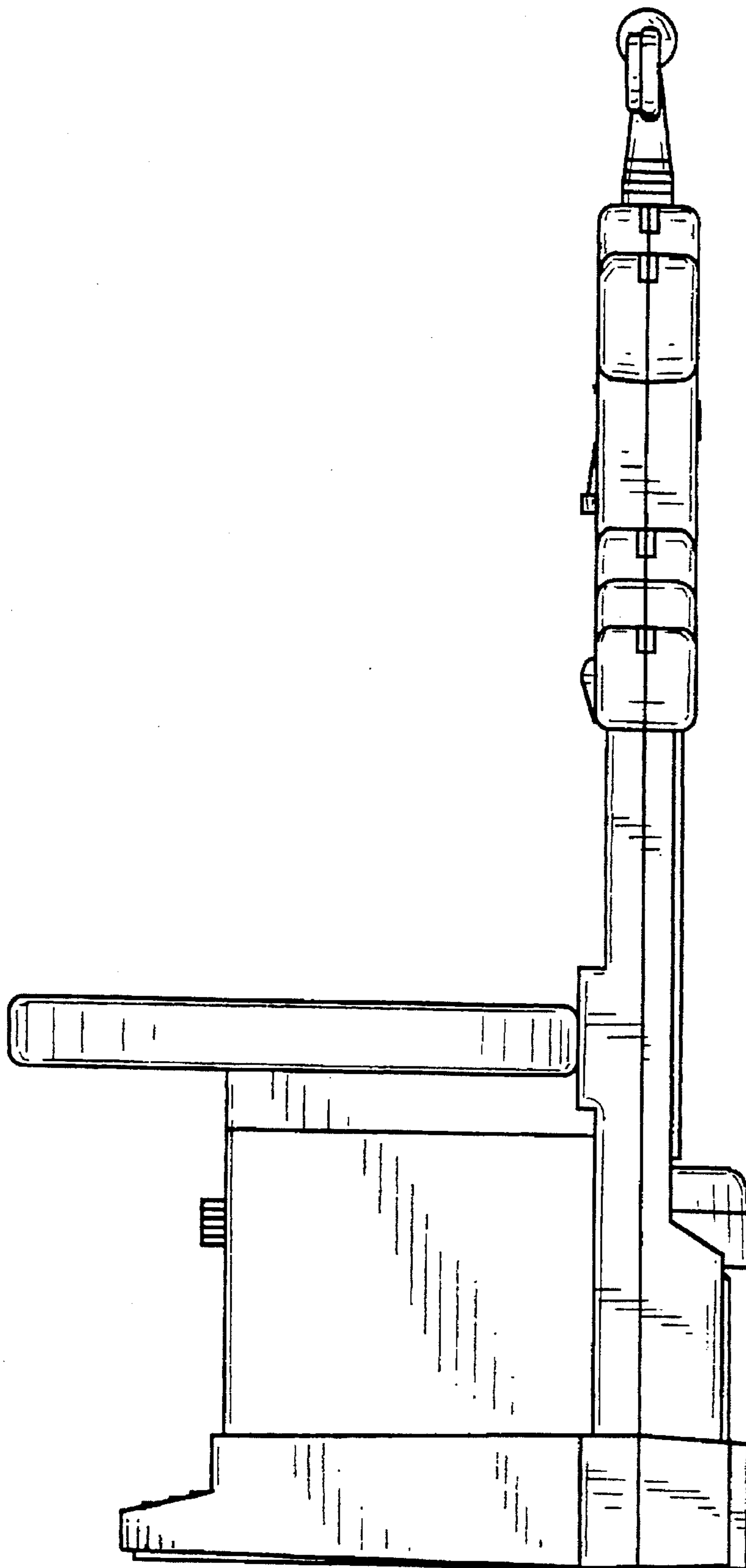


FIG. 6

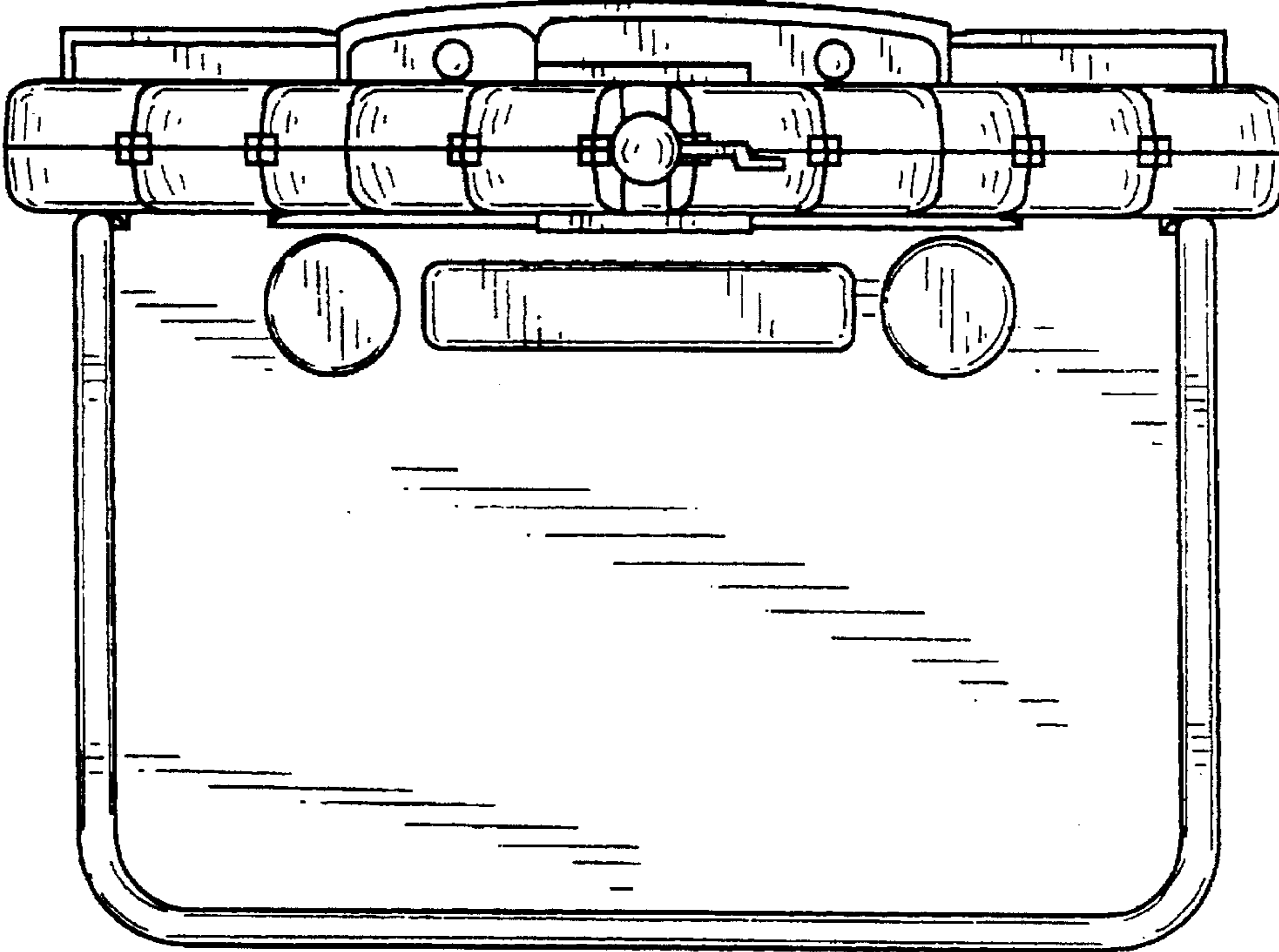


FIG. 7

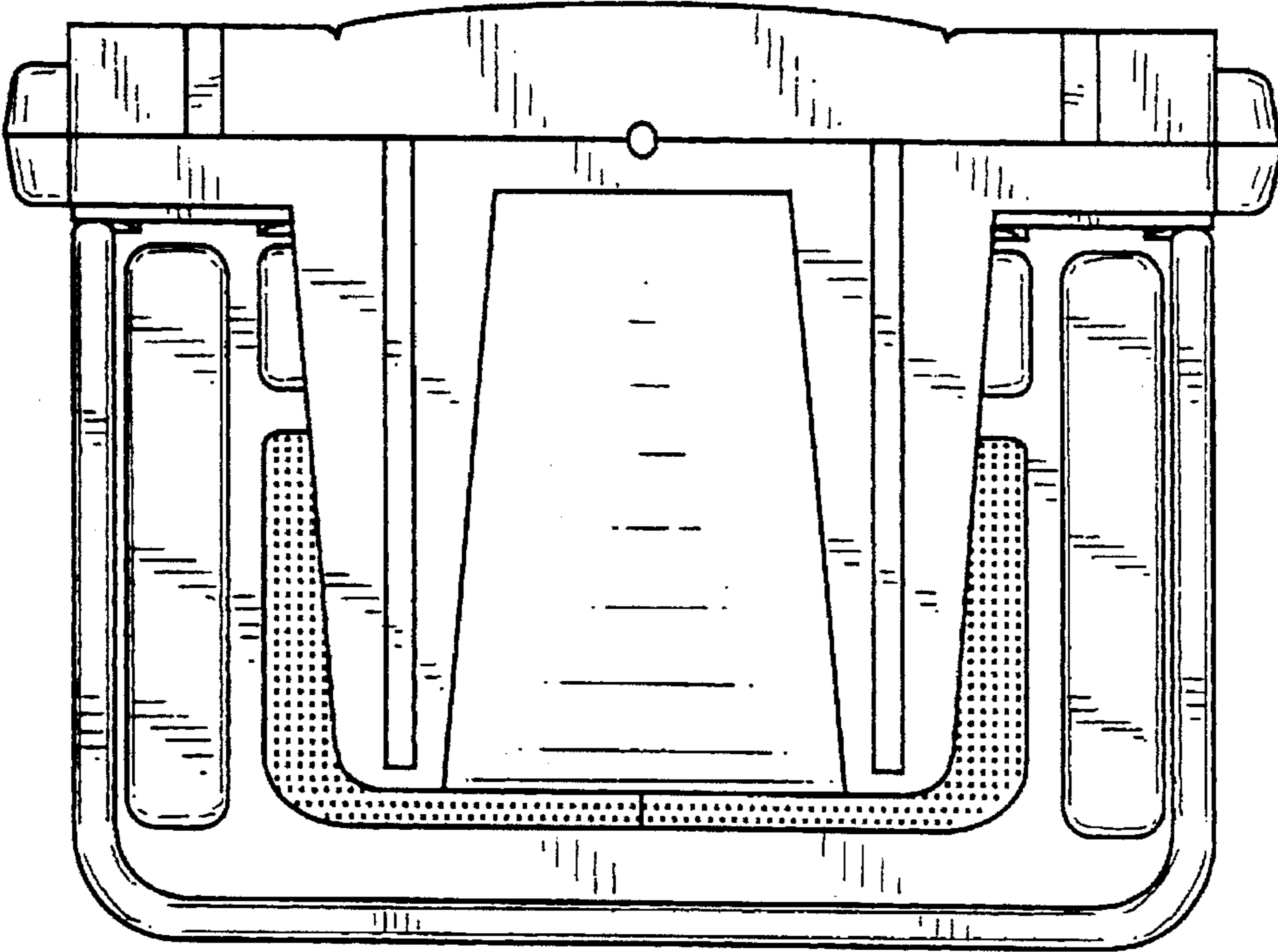


FIG. 8

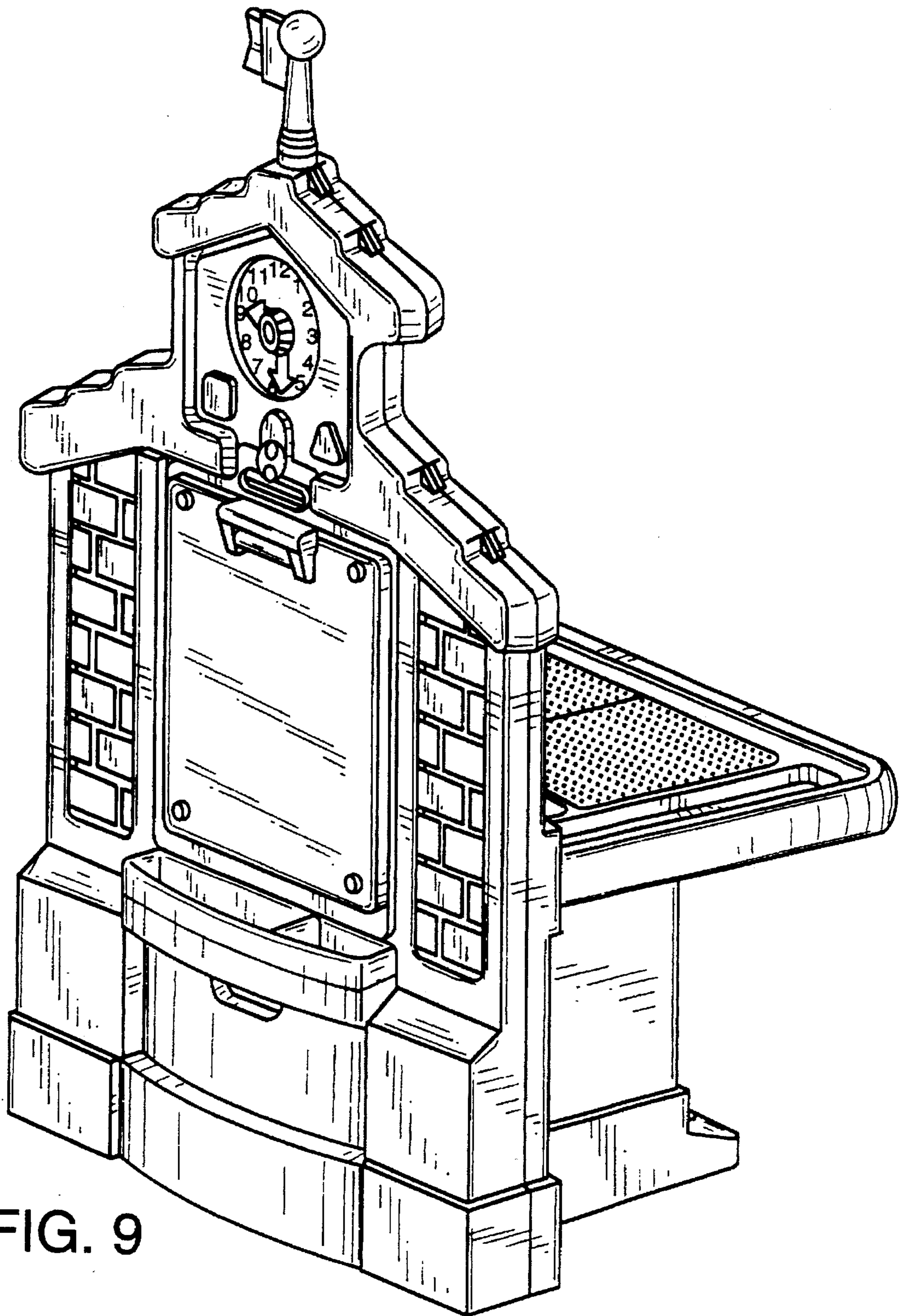


FIG. 9

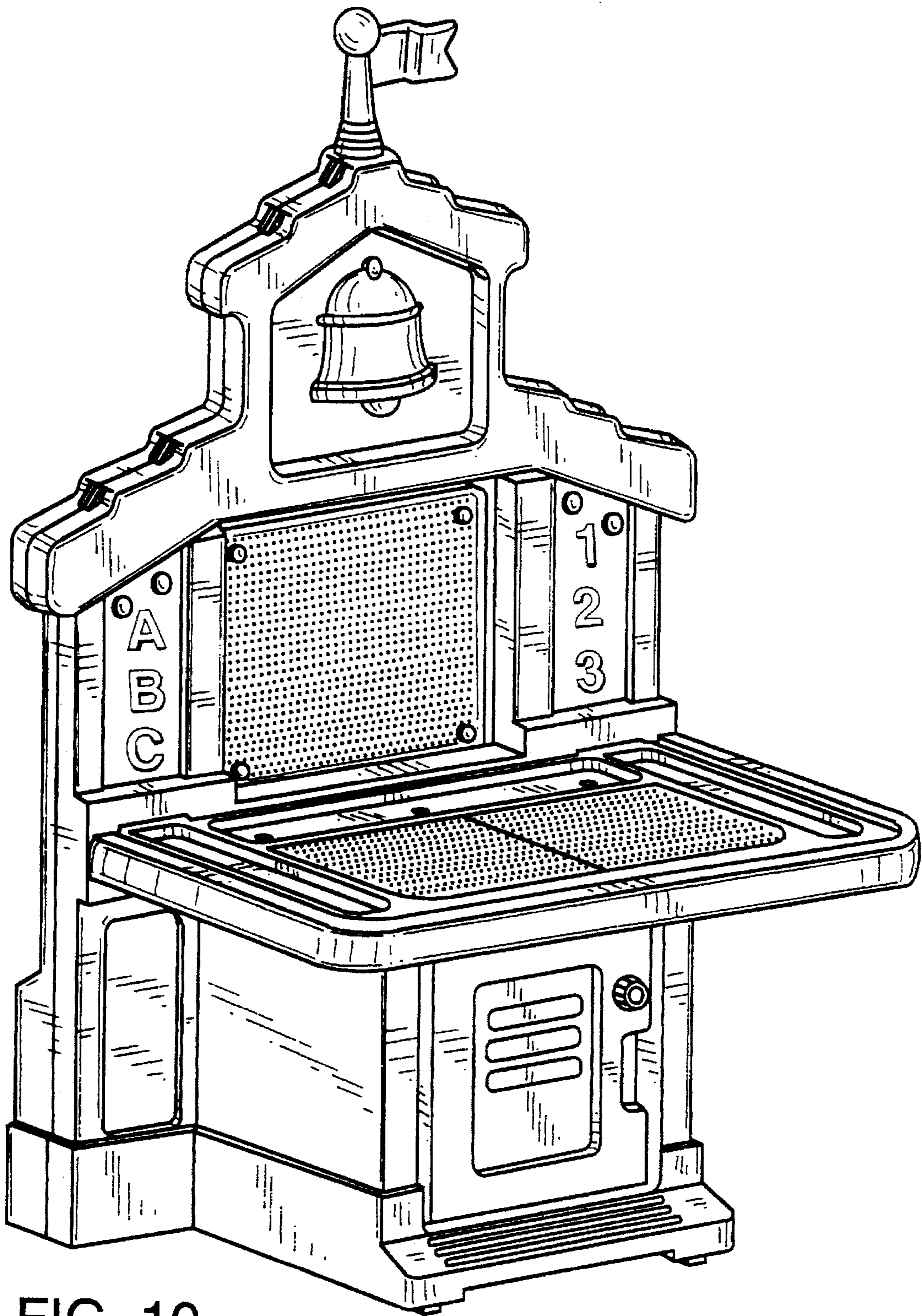


FIG. 10

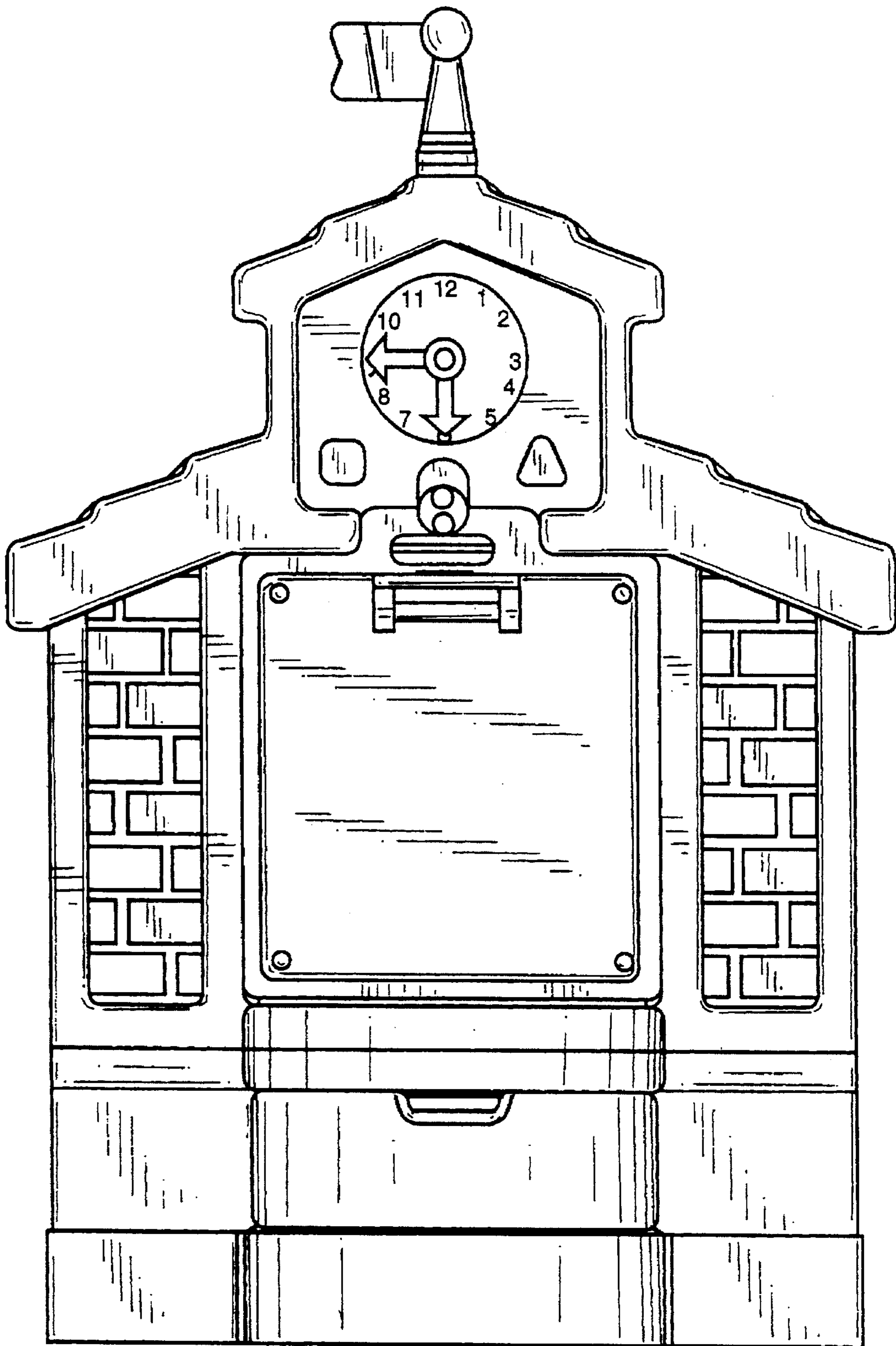


FIG. 11

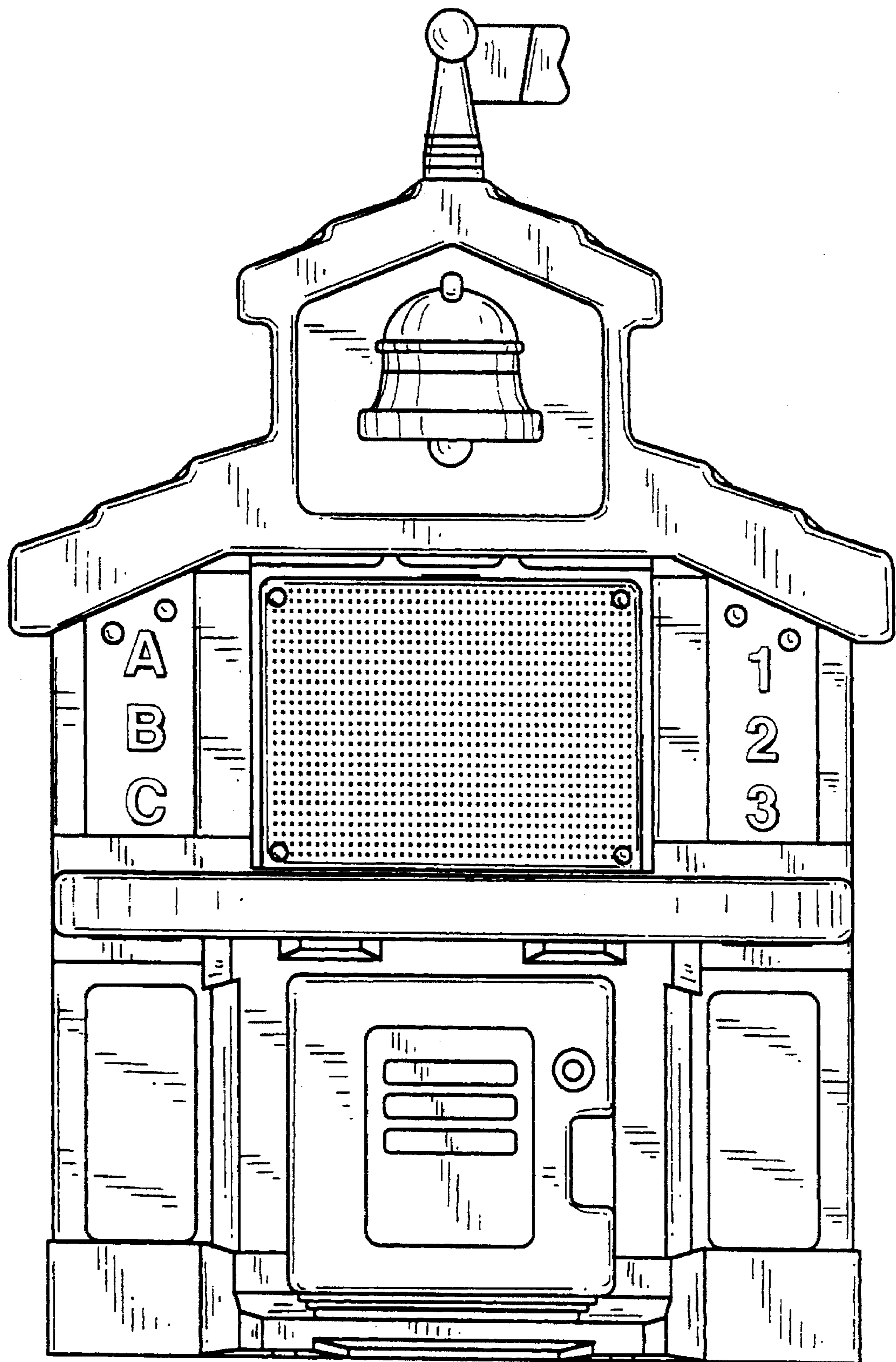


FIG. 12

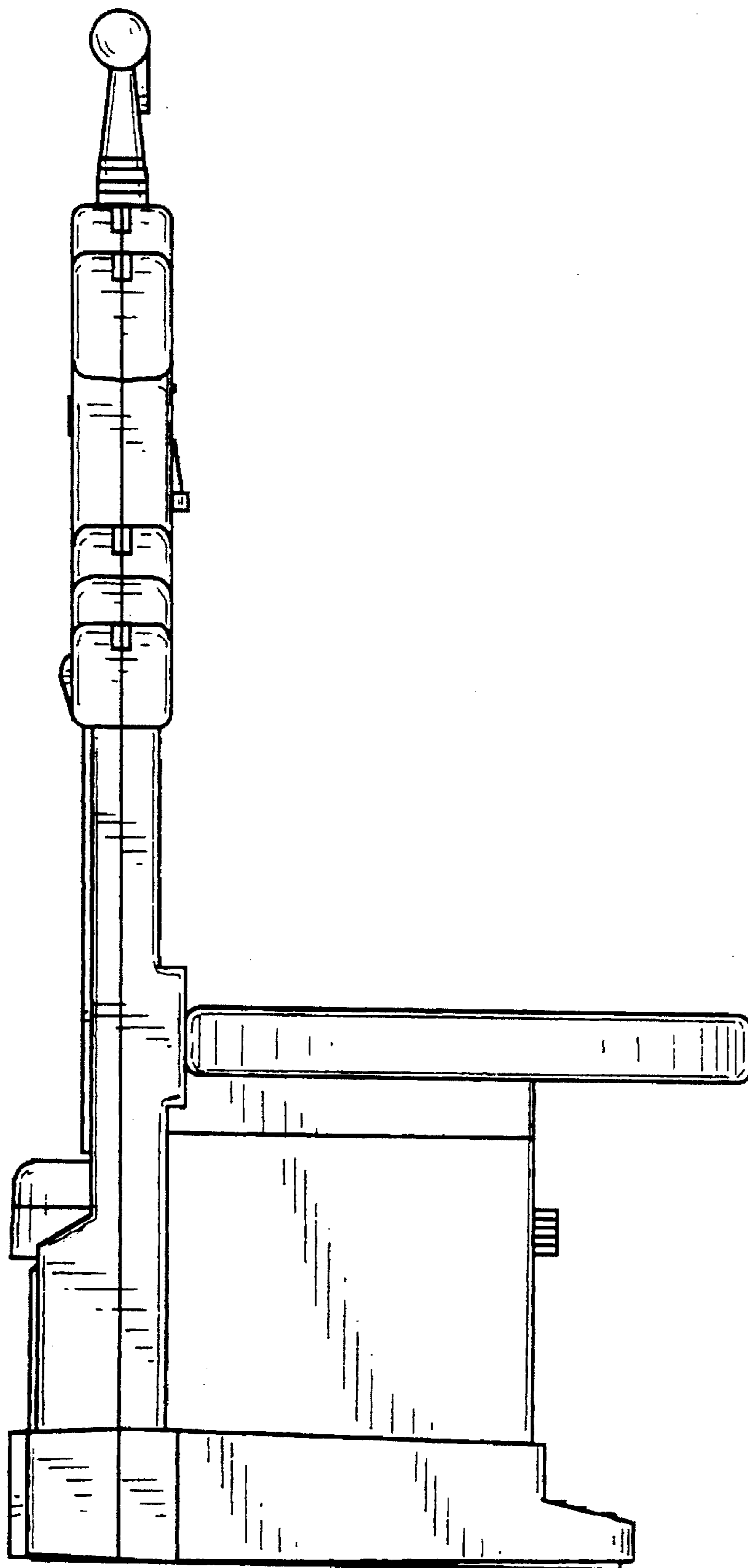


FIG. 13

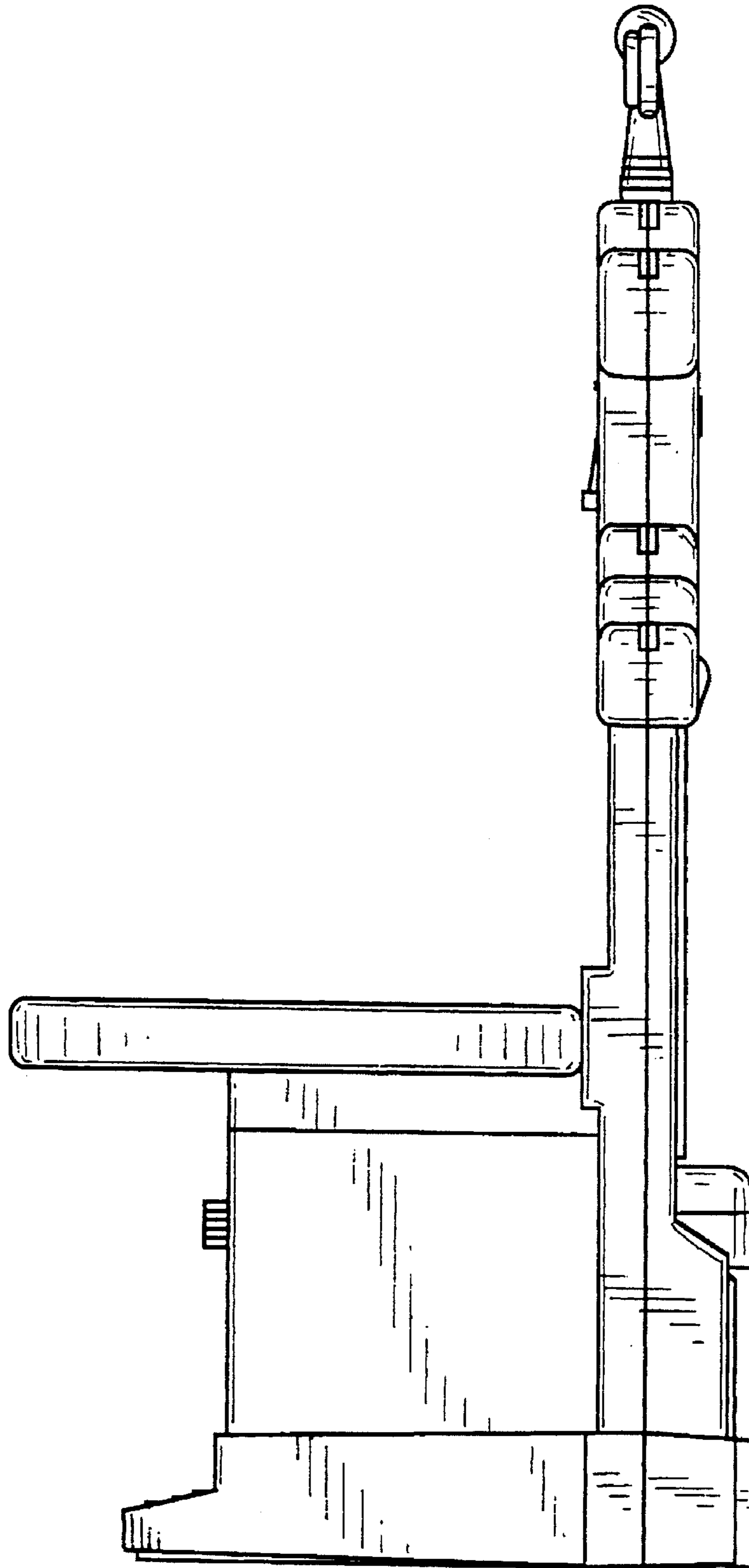


FIG. 14

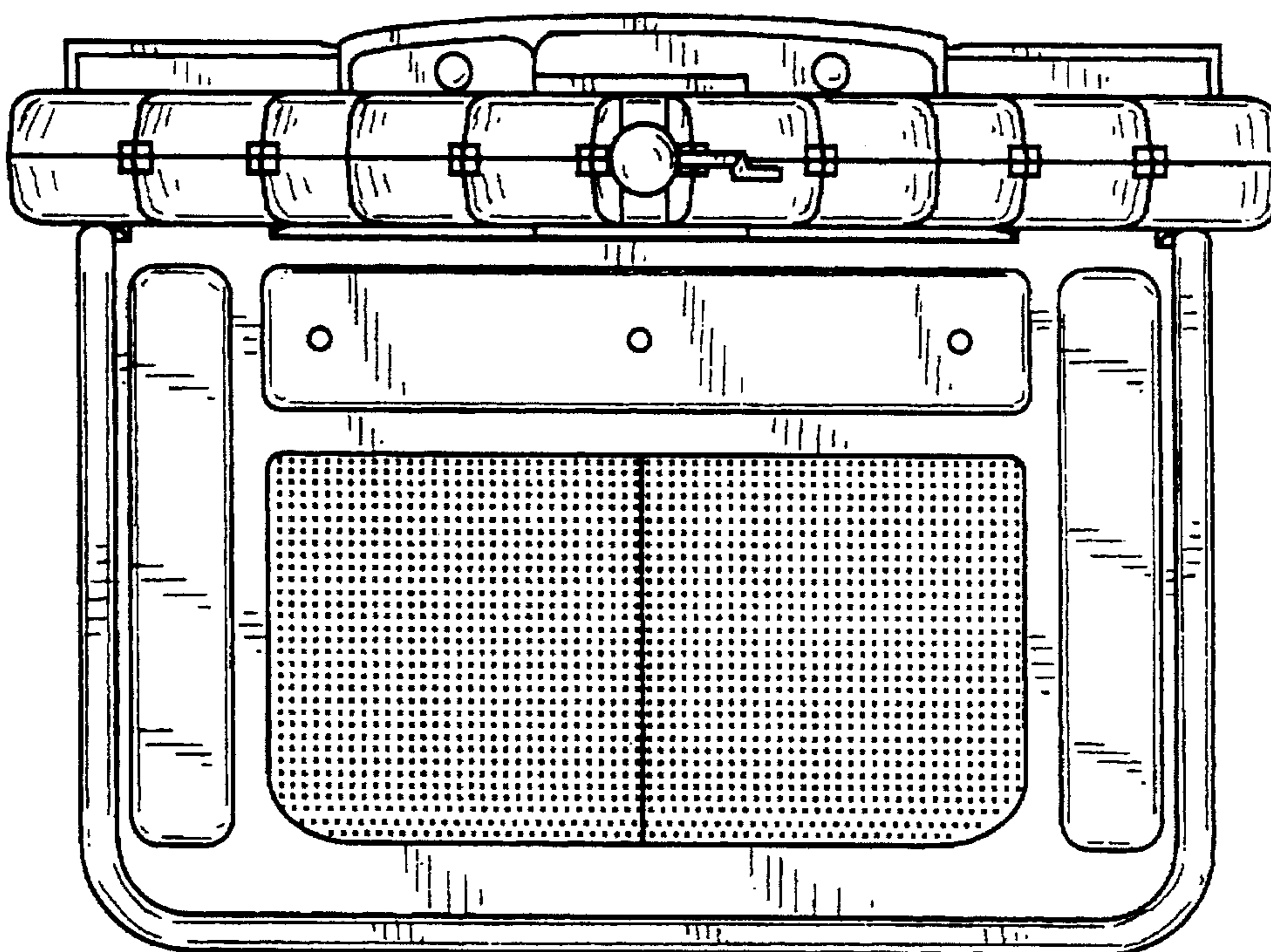


FIG. 15

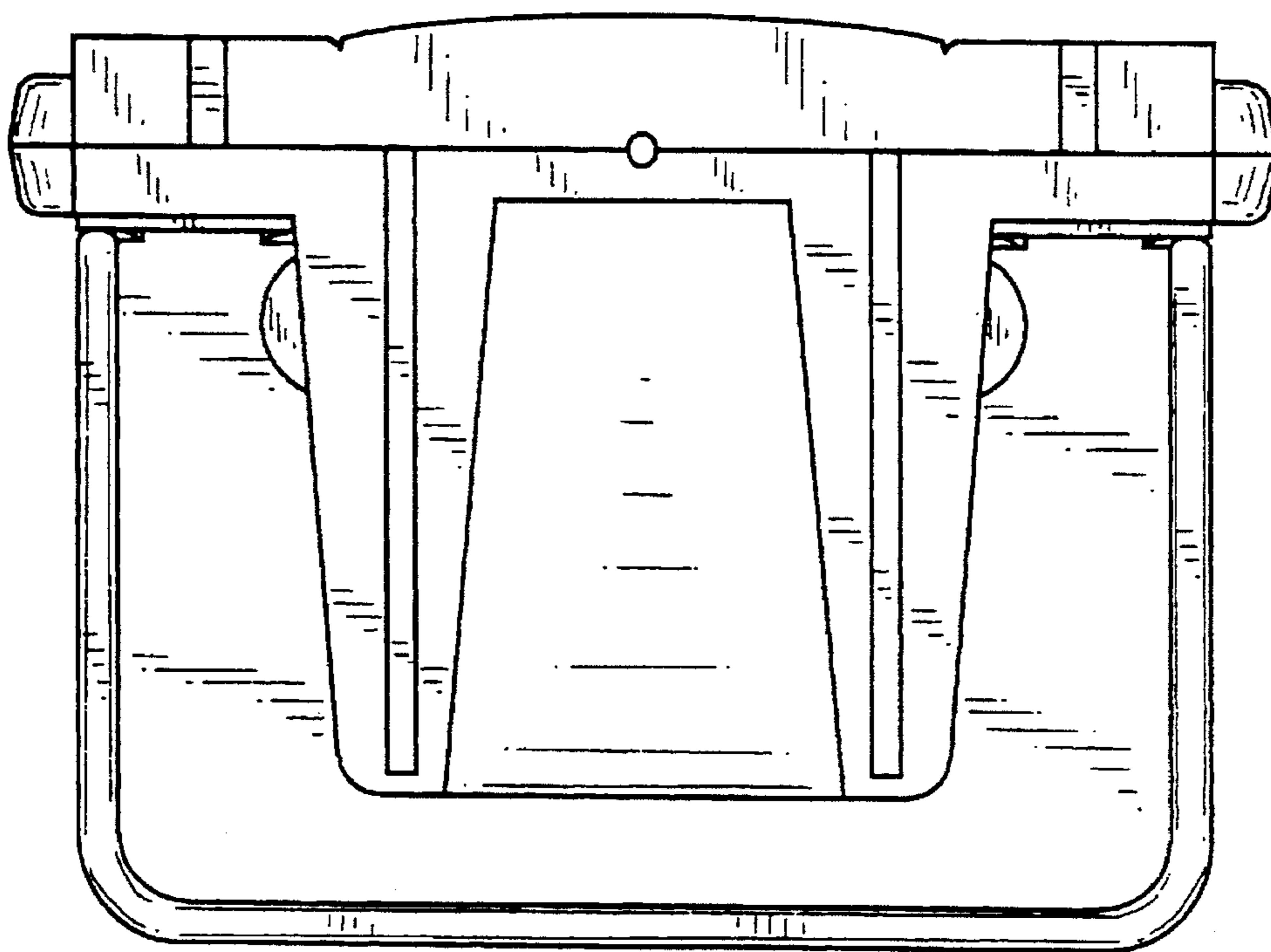


FIG. 16