



US00D383504S

United States Patent [19]

Millington et al.

[11] Patent Number: **Des. 383,504**

[45] Date of Patent: ****Sep. 9, 1997**

[54] INFLATABLE TOY

[75] Inventors: **Charles J. Millington**, Lakeville, Mass.; **Melissa M. Morgan**, Little Compton, R.I.

[73] Assignee: **Hasbro, Inc.**, Pawtucket, R.I.

[**] Term: **14 Years**

[21] Appl. No.: **55,866**

[22] Filed: **Jun. 14, 1996**

[51] LOC (6) Cl. **21-01**

[52] U.S. Cl. **D21/84; D21/59; D21/66**

[58] Field of Search **D21/59, 66, 84, D21/252; D30/129; D25/2; 472/134; 446/220-222**

[56] **References Cited**

U.S. PATENT DOCUMENTS

| | | | | |
|------------|---------|---------------|-------|---------|
| D. 196,558 | 10/1963 | Chay | | D25/2 X |
| D. 224,241 | 7/1972 | Tytel | | D21/252 |
| D. 357,948 | 5/1995 | Noldus-Nilsen | | D21/84 |
| D. 372,503 | 8/1996 | Liu | | D21/59 |
| 2,804,123 | 8/1957 | Kling | . | |
| 3,041,070 | 6/1962 | Kerstein | . | |

| | | | | |
|-----------|---------|----------------------|-------|---------|
| 3,227,445 | 1/1966 | Jensen | . | |
| 3,493,228 | 2/1970 | Hicks et al. | | 472/134 |
| 3,879,887 | 4/1975 | Brookson, Jr. et al. | . | |
| 4,037,833 | 7/1977 | Anderson | . | |
| 4,084,273 | 4/1978 | Haynes | . | |
| 4,129,296 | 12/1978 | Meyer | . | |
| 4,141,588 | 2/1979 | Anderson | . | |
| 5,219,309 | 6/1993 | Hart | | 472/134 |
| 5,364,161 | 11/1994 | Liu | . | |

Primary Examiner—Dominic Simone
Attorney, Agent, or Firm—Kurt R. Benson

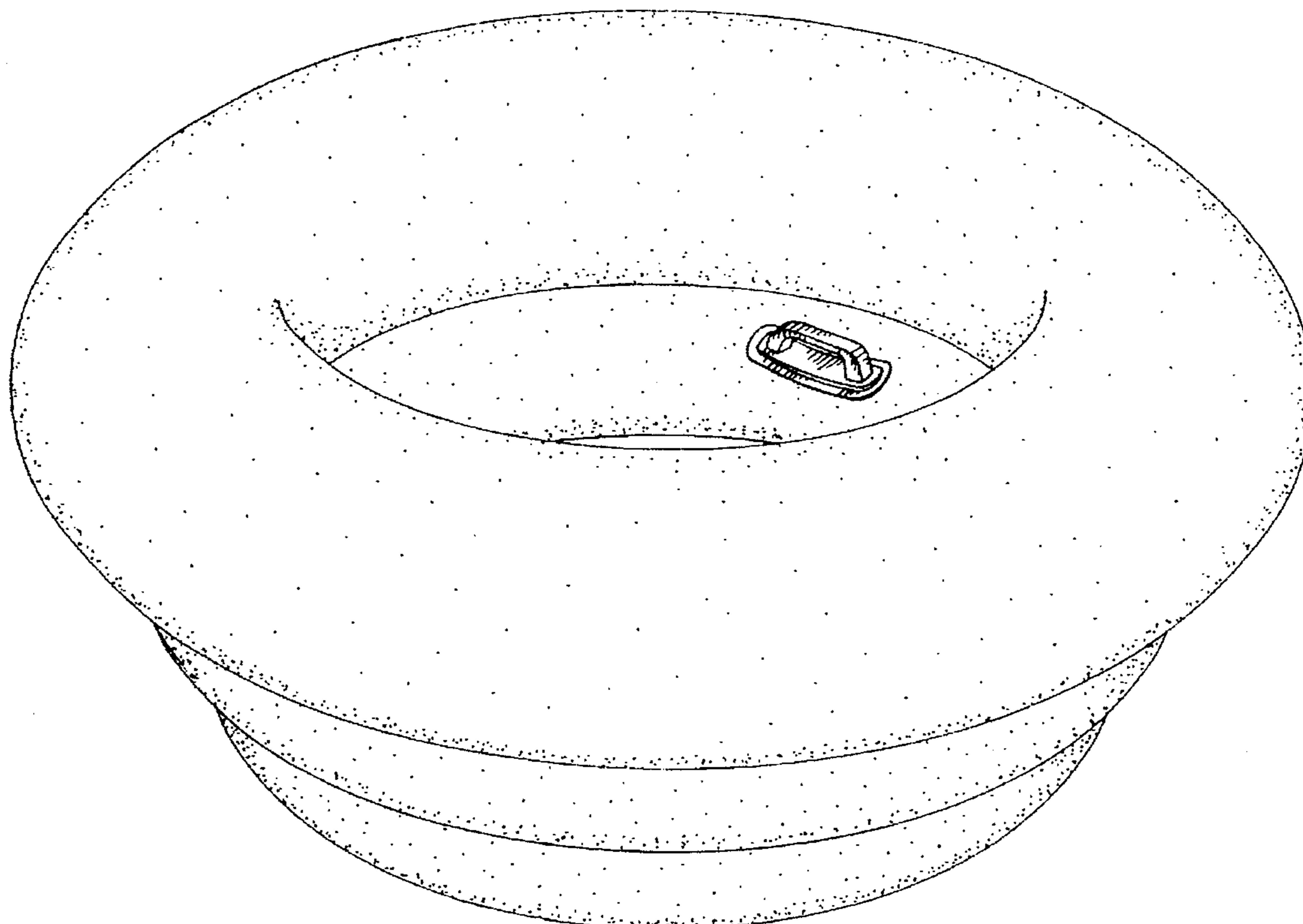
[57] **CLAIM**

An ornamental design for an inflatable toy, as shown.

DESCRIPTION

FIG. 1 is a perspective view of the inflatable toy showing our new design;
FIG. 2 is a front elevational view thereof;
FIG. 3 is a rear elevational view thereof;
FIG. 4 is a left side elevational view thereof;
FIG. 5 is a right side elevational view thereof;
FIG. 6 is a bottom plan view thereof; and,
FIG. 7 is a top plan view thereof.

1 Claim, 4 Drawing Sheets



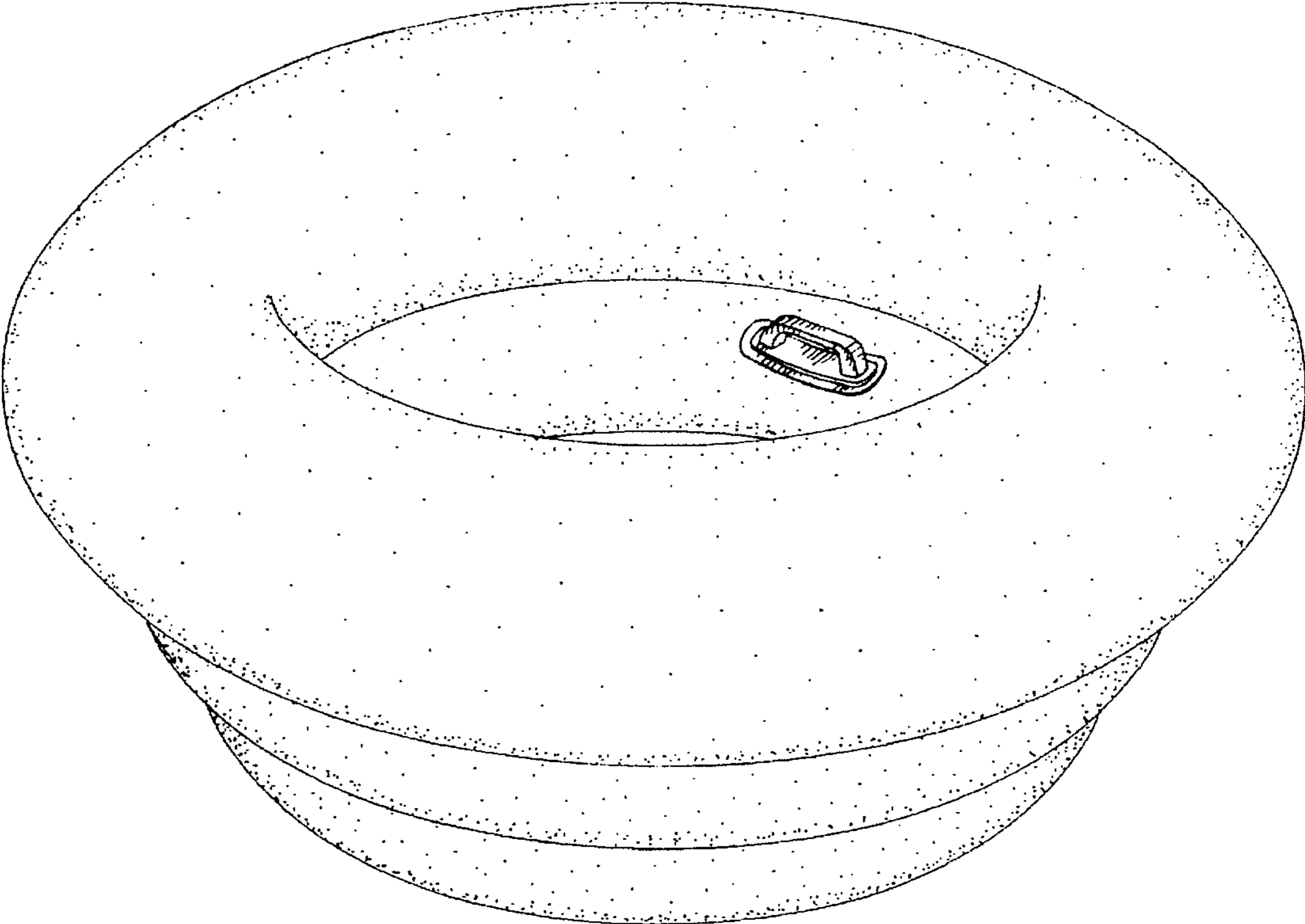


FIG. 1

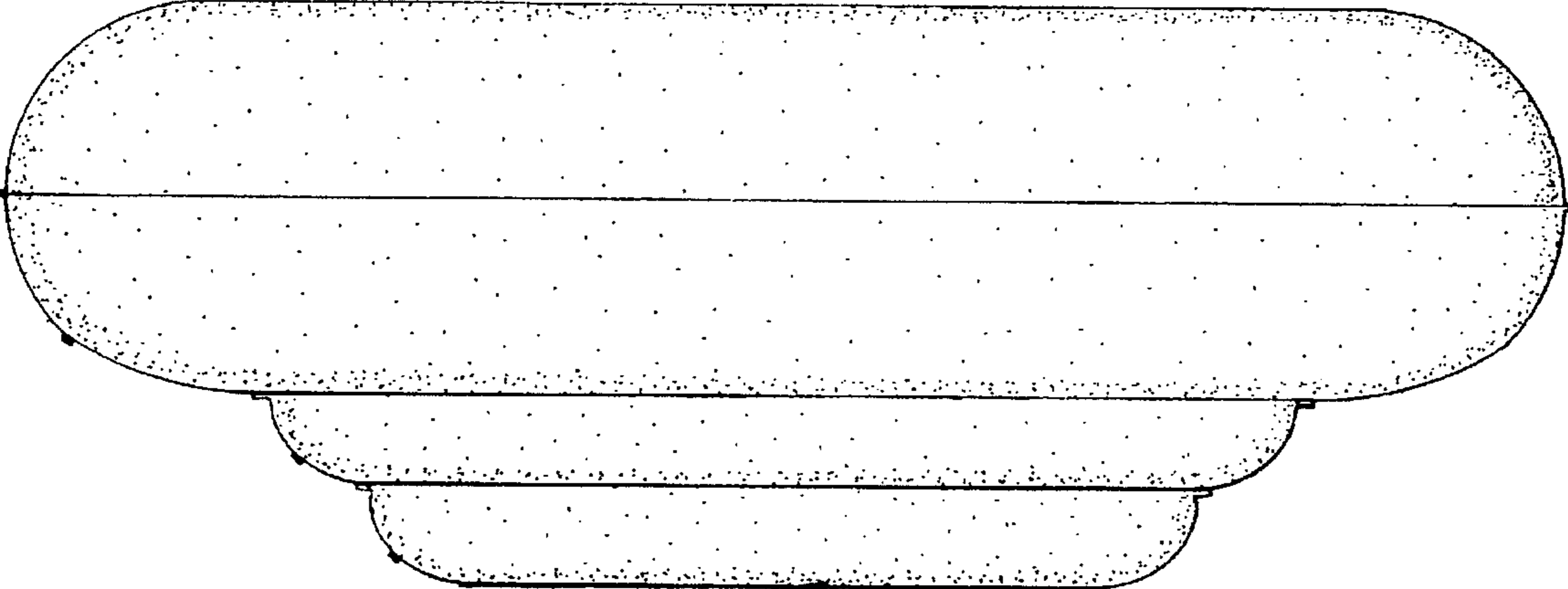


FIG. 2

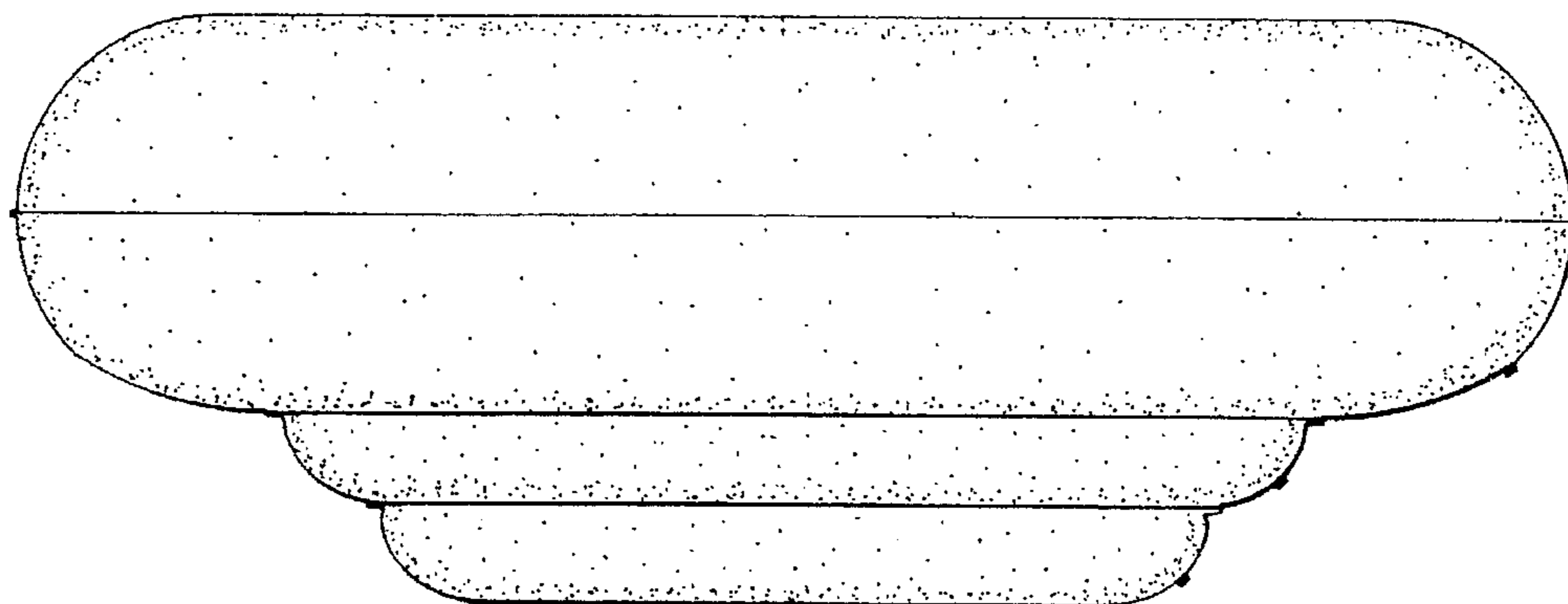


FIG. 3

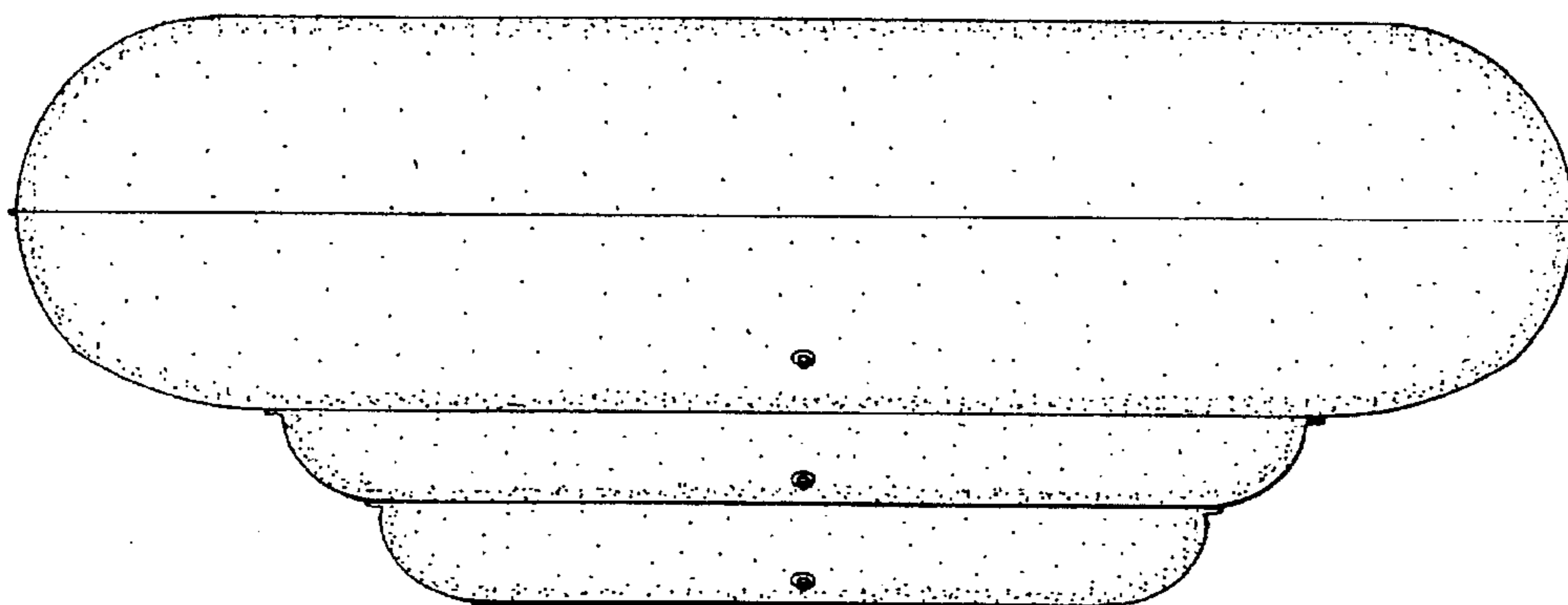


FIG. 4

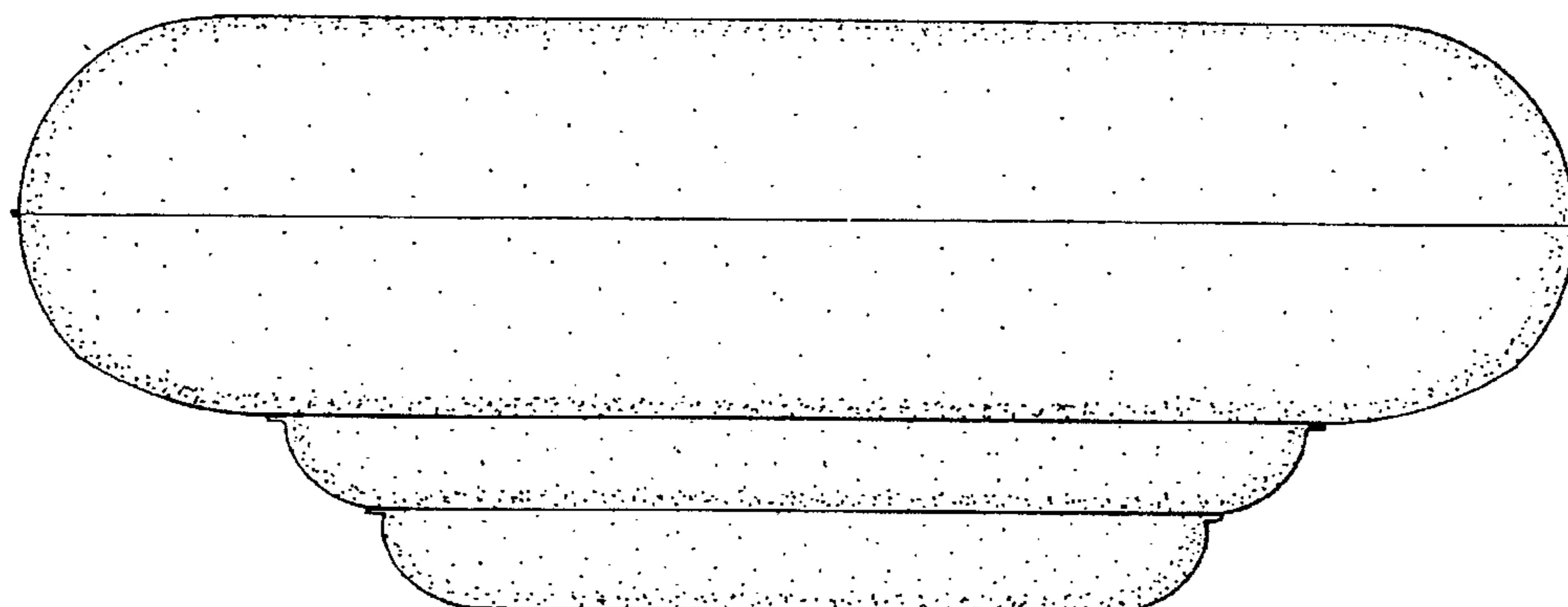


FIG. 5

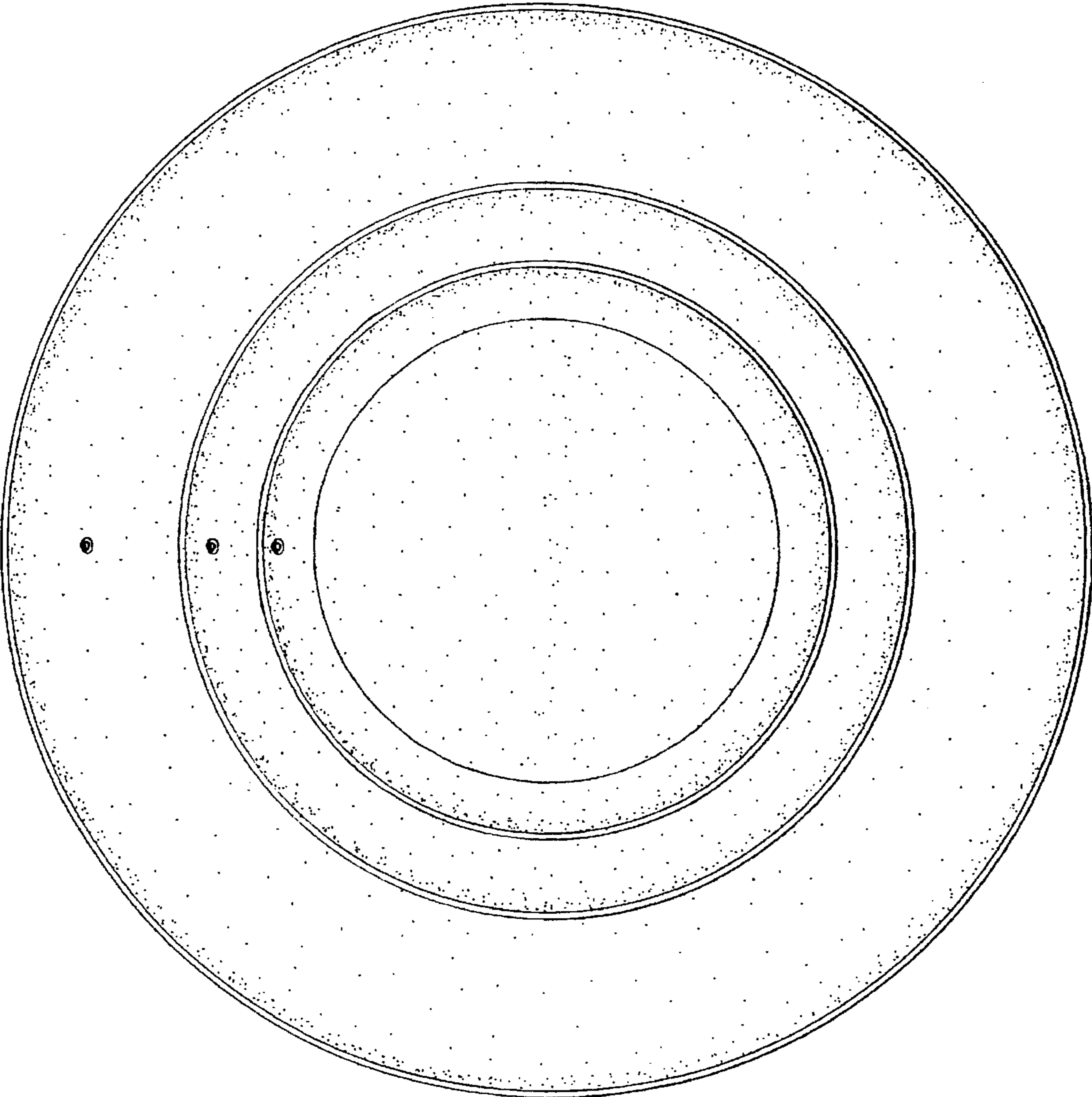


FIG. 6

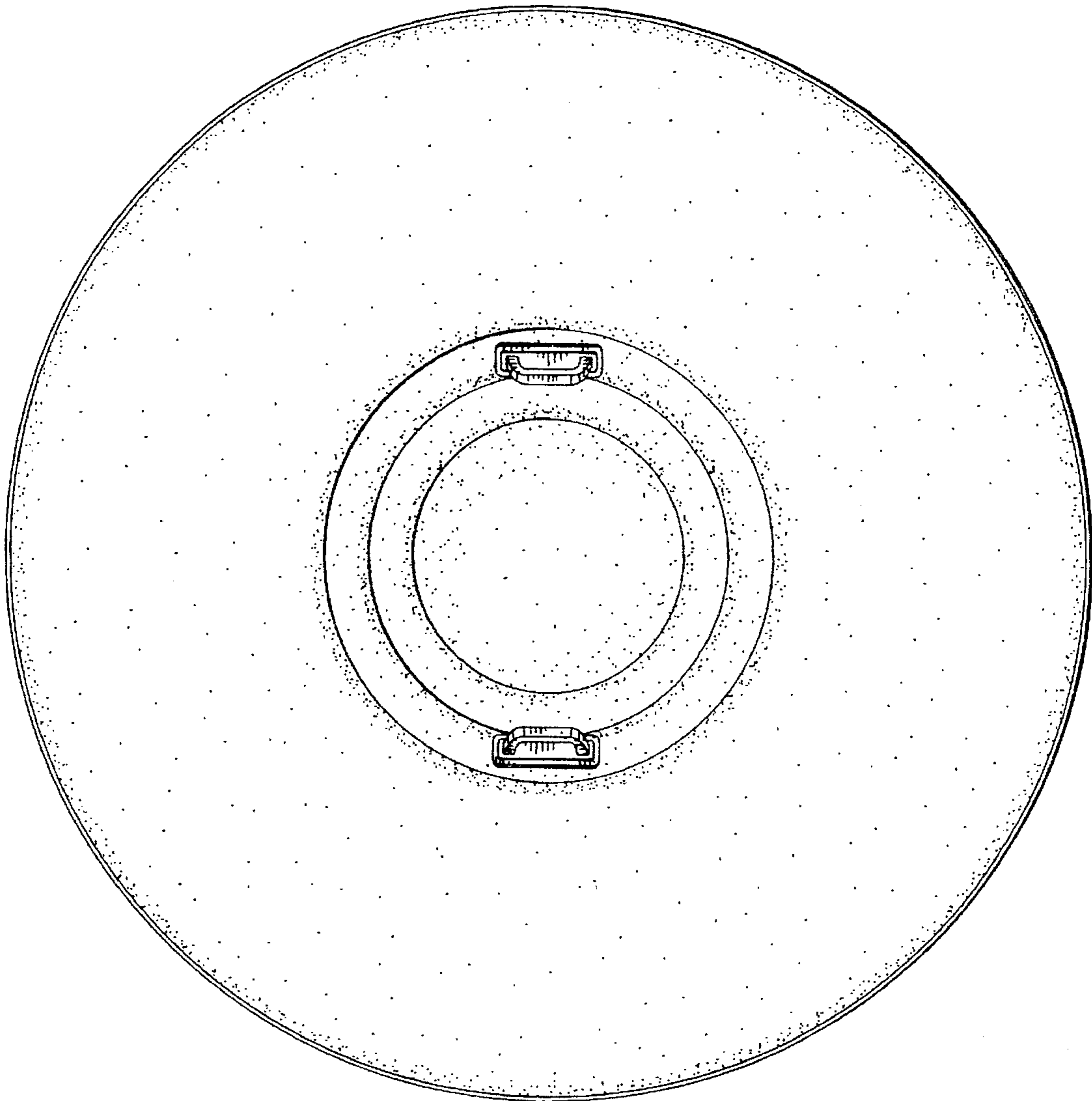


FIG. 7