



US00D383503S

United States Patent [19] Pierce

[11] Patent Number: **Des. 383,503**

[45] Date of Patent: ****Sep. 9, 1997**

[54] **BOX CAR RACER**

[75] Inventor: **Donald L. Pierce**, Honolulu, Hi.

[73] Assignee: **American Box Car, Inc.**, Honolulu, Hi.

[**] Term: **14 Years**

[21] Appl. No.: **57,416**

[22] Filed: **Jul. 24, 1996**

[51] LOC (6) Cl. **21-01**

[52] U.S. Cl. **D21/78**

[58] **Field of Search** D21/71, 73, 76,
D21/78-81, 128, 134, 136, 137, 140; 446/160,
428, 447, 456, 465, 470; 280/87.01, 87.021,
828, 1.13

1,422,284 7/1922 Mack 280/87.01
1,540,170 6/1925 Frick 280/87.01
1,652,049 12/1927 Roberts 280/87.01

OTHER PUBLICATIONS

American Bicyclist & Motorcyclist, Jul., 1959, p. 44 car at top of page.

Primary Examiner—Raphael Barkai
Attorney, Agent, or Firm—Seth M. Reiss

[57] CLAIM

The ornamental design for a box car racer, as shown and described.

DESCRIPTION

FIG. 1 is a perspective view showing the right side and front of my box car racer with round hood;

FIG. 2 is a left side elevational view thereof;

FIG. 3 is a top plan view thereof;

FIG. 4 is a bottom plan view thereof;

FIG. 5 is a front elevational view thereof;

FIG. 6 is a rear elevational view thereof;

FIG. 7 is a front elevation view of an alternate embodiment of the design of FIG. 1 with angular hood; and,

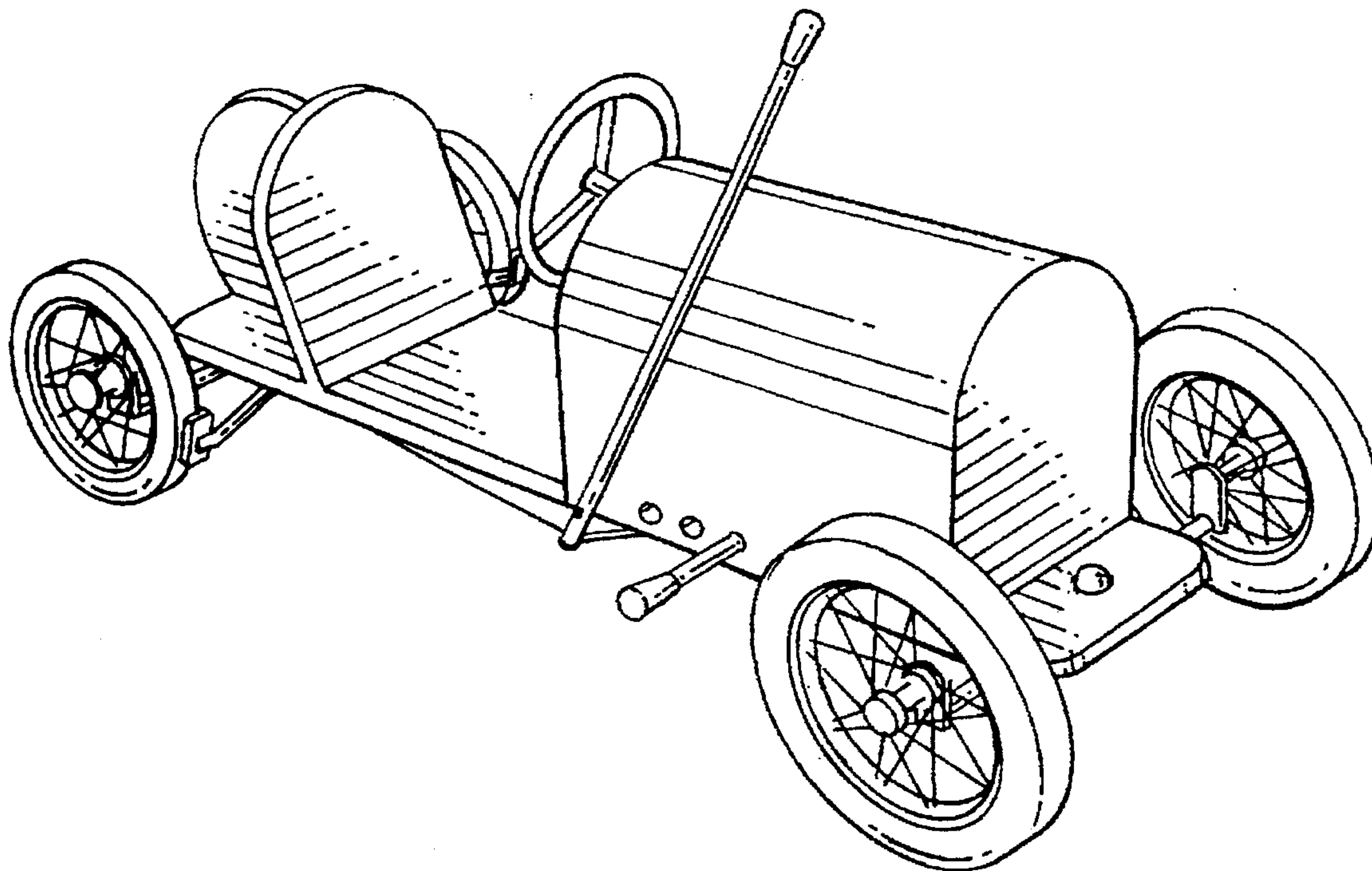
FIG. 8 is a side elevation view of the alternate embodiment of FIG. 7.

[56] References Cited

U.S. PATENT DOCUMENTS

D. 50,475 3/1917 Kehl D21/78
D. 53,978 11/1919 Bennett D21/78
D. 67,617 6/1925 Salom, Jr. D21/78
D. 144,043 3/1946 Elliott 280/87.021
D. 191,586 10/1961 Bym et al. D21/78
D. 200,765 4/1965 Cooper D21/78
D. 202,434 9/1965 Schreckengost D21/78
1,282,003 10/1918 Sellner D21/78

1 Claim, 3 Drawing Sheets



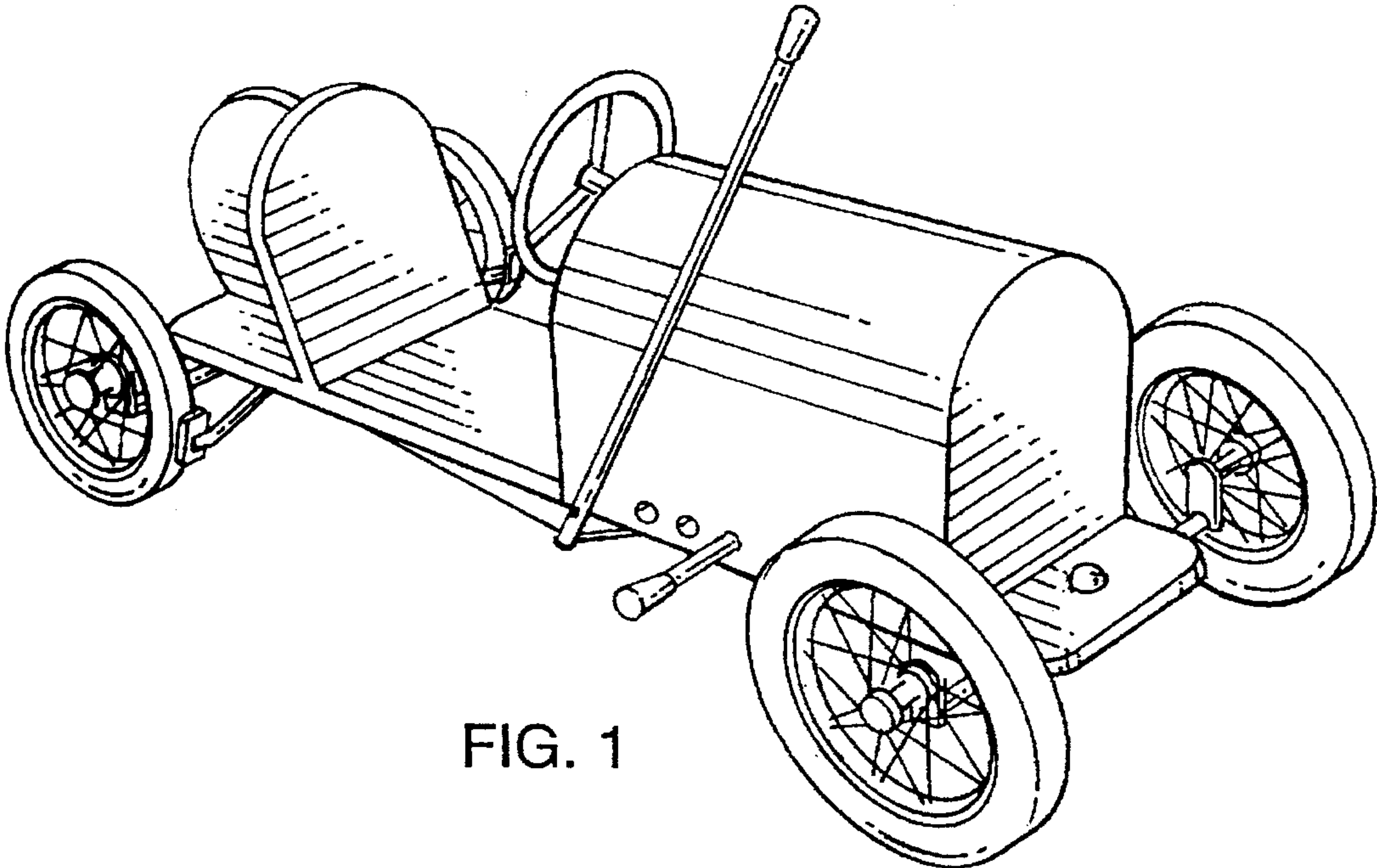


FIG. 1

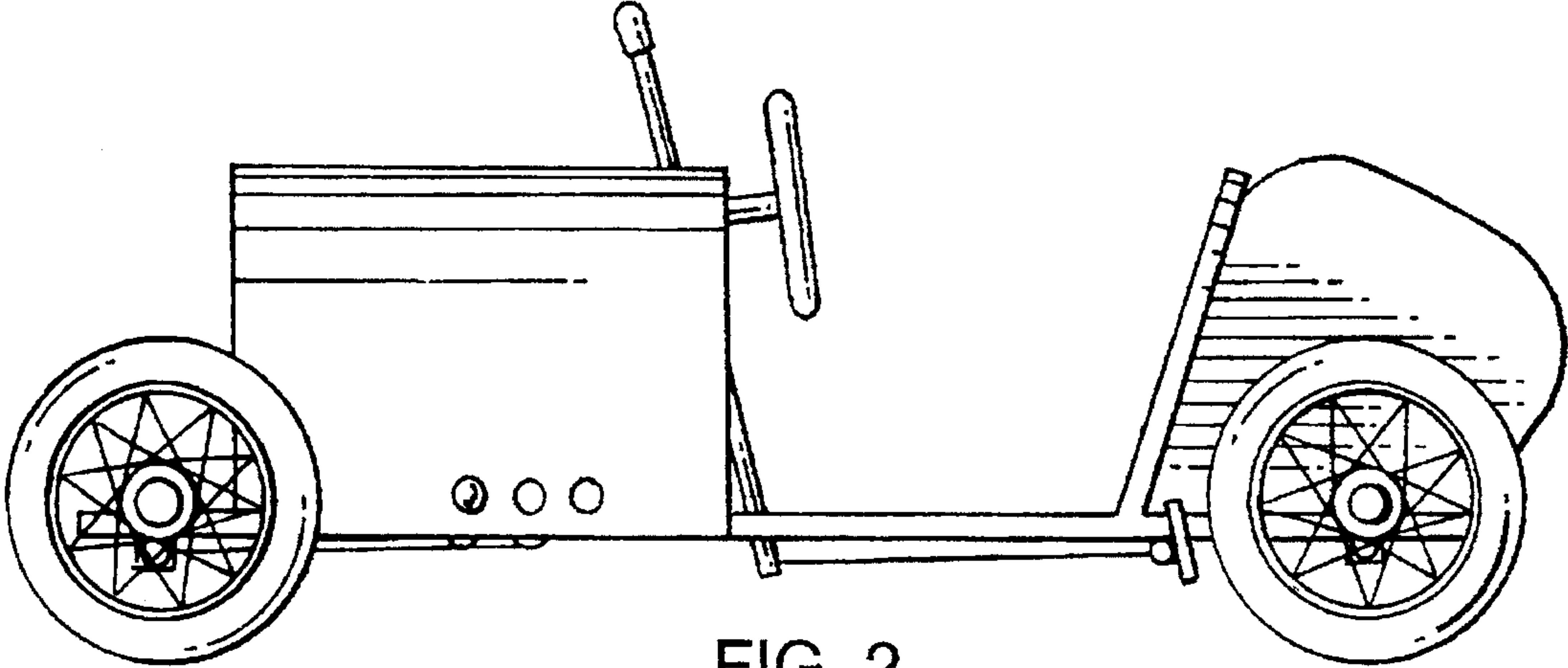


FIG. 2

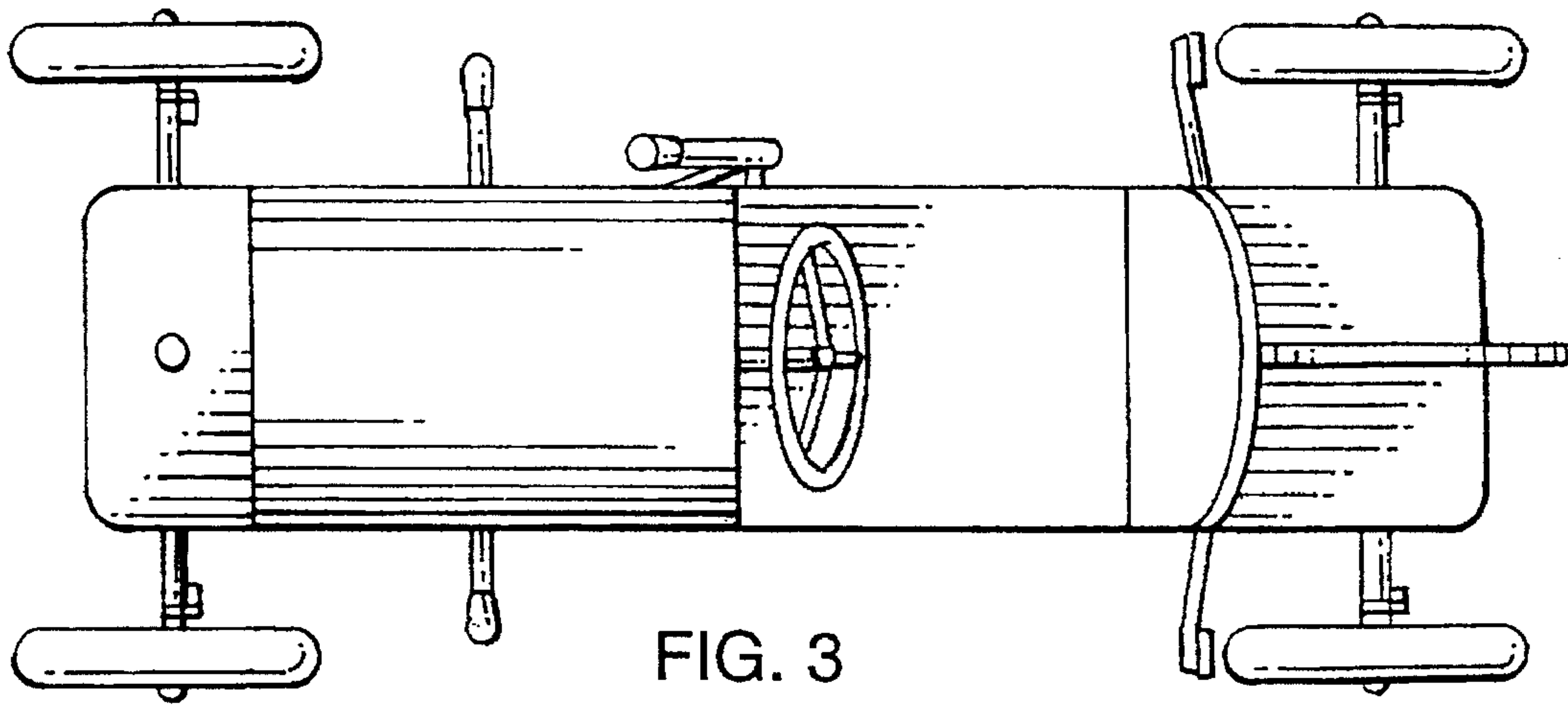


FIG. 3

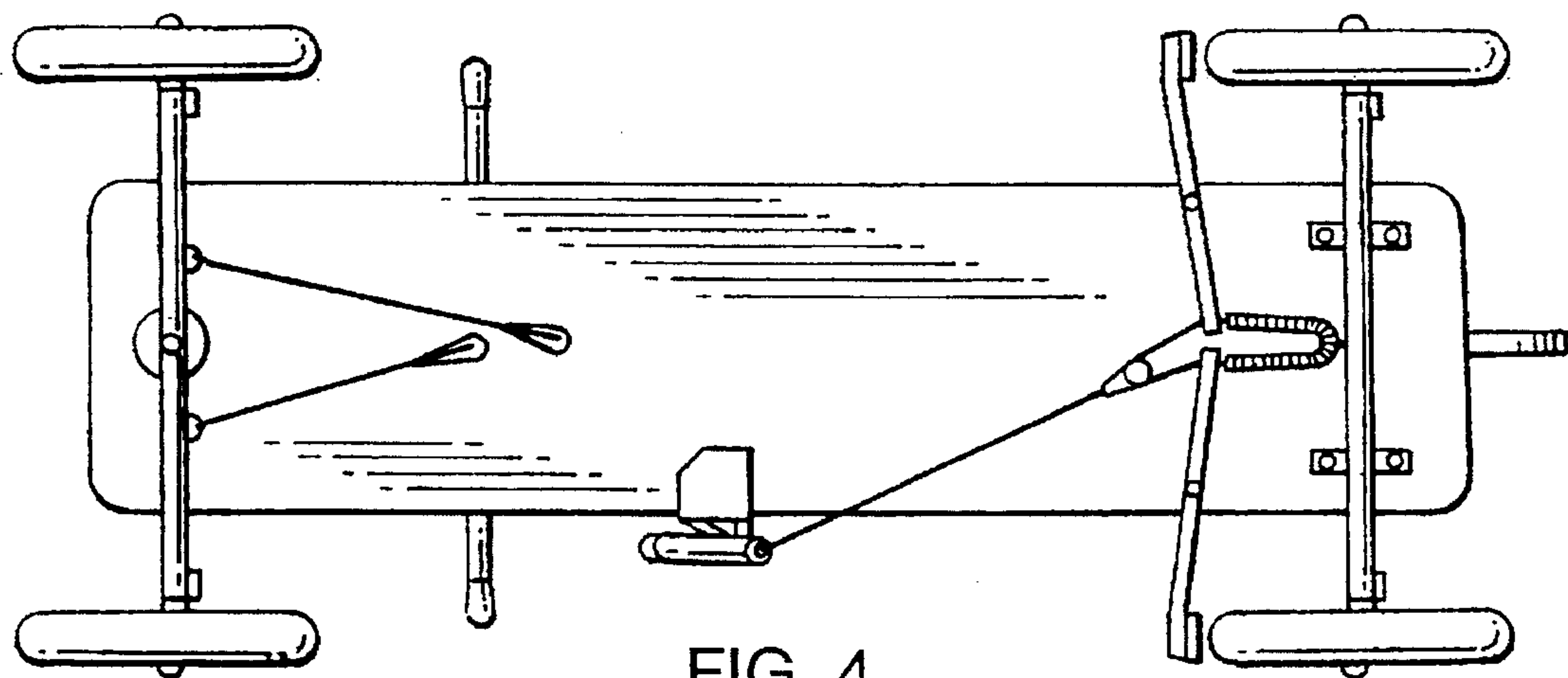


FIG. 4

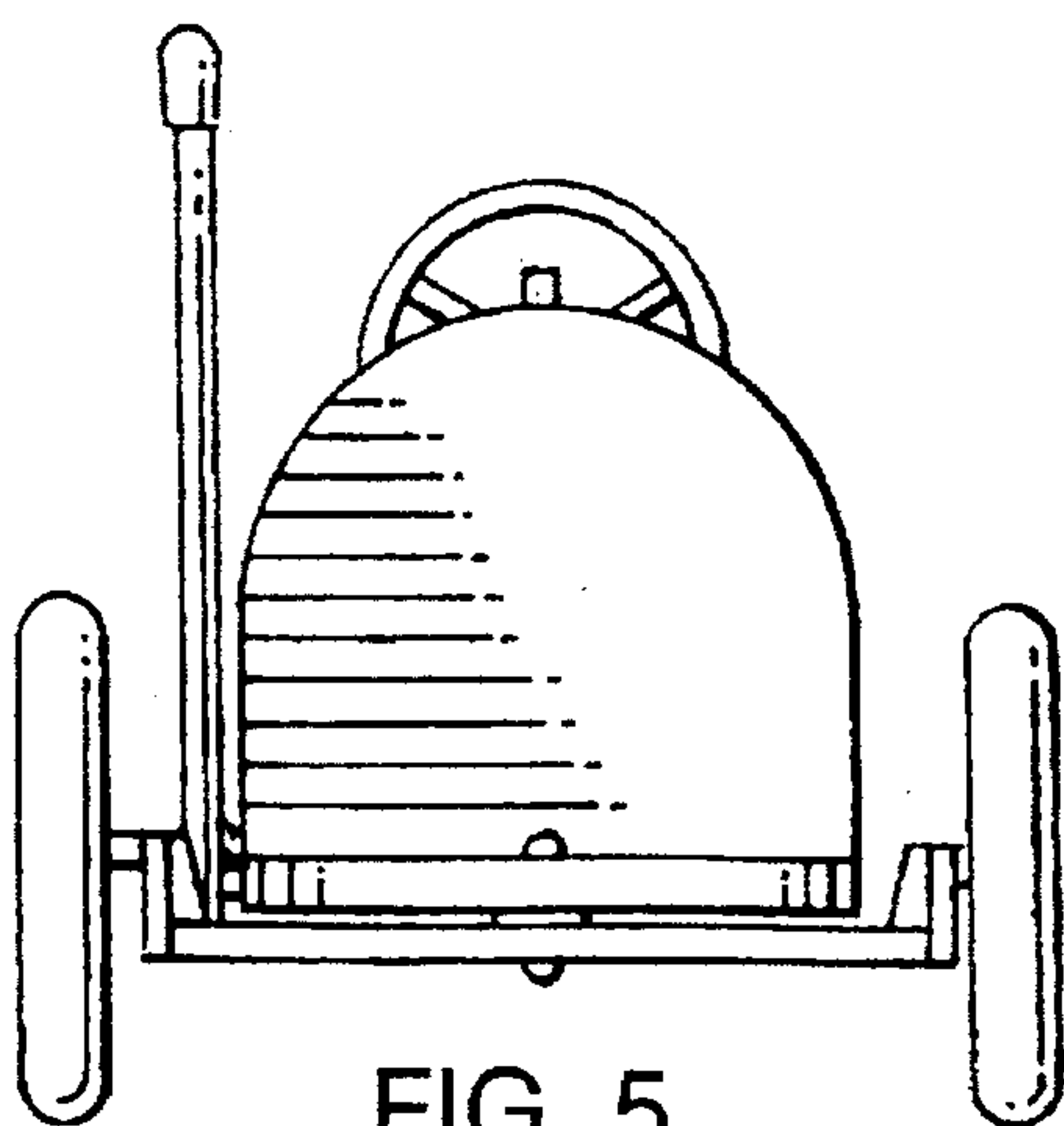


FIG. 5

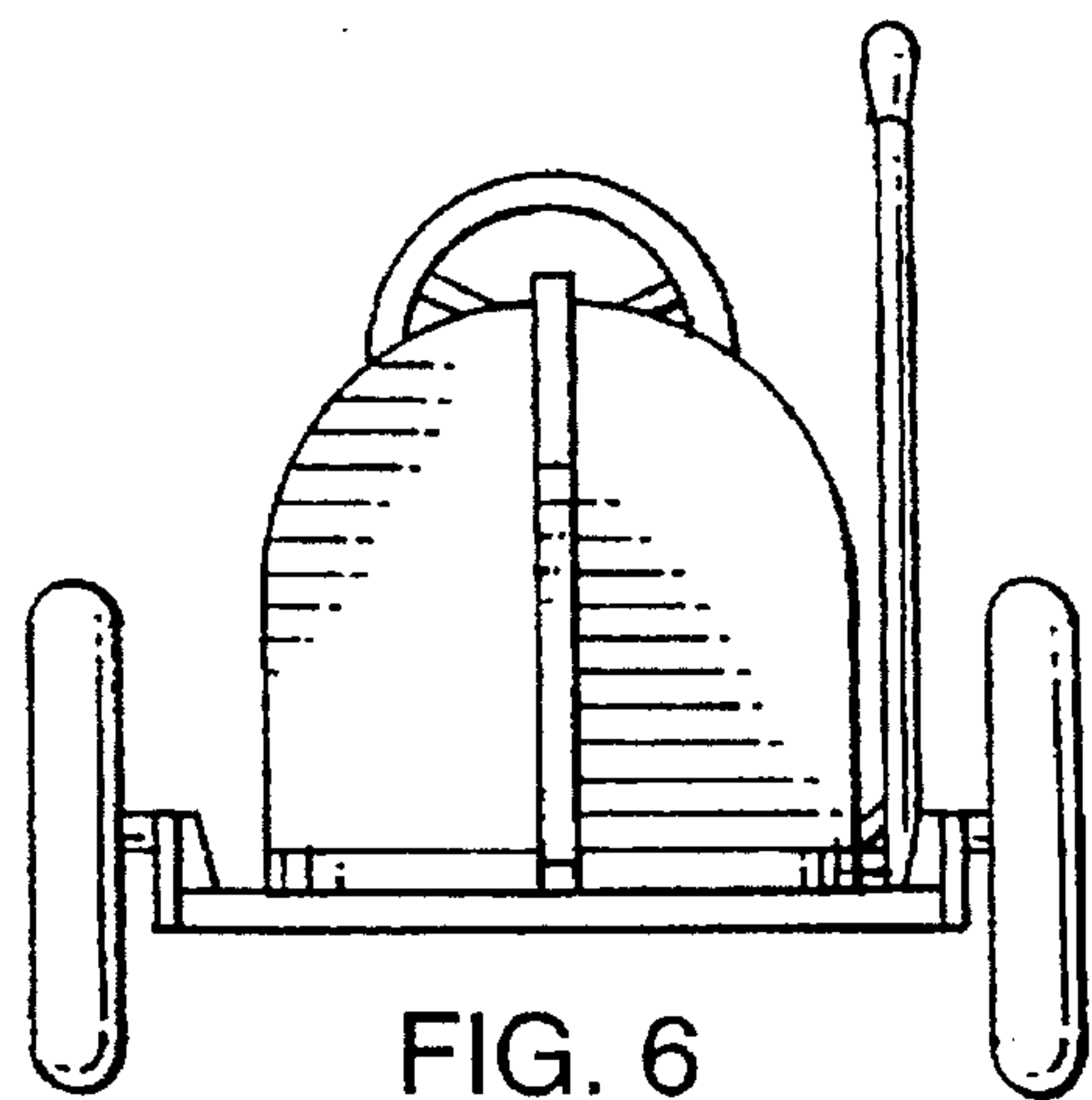


FIG. 6

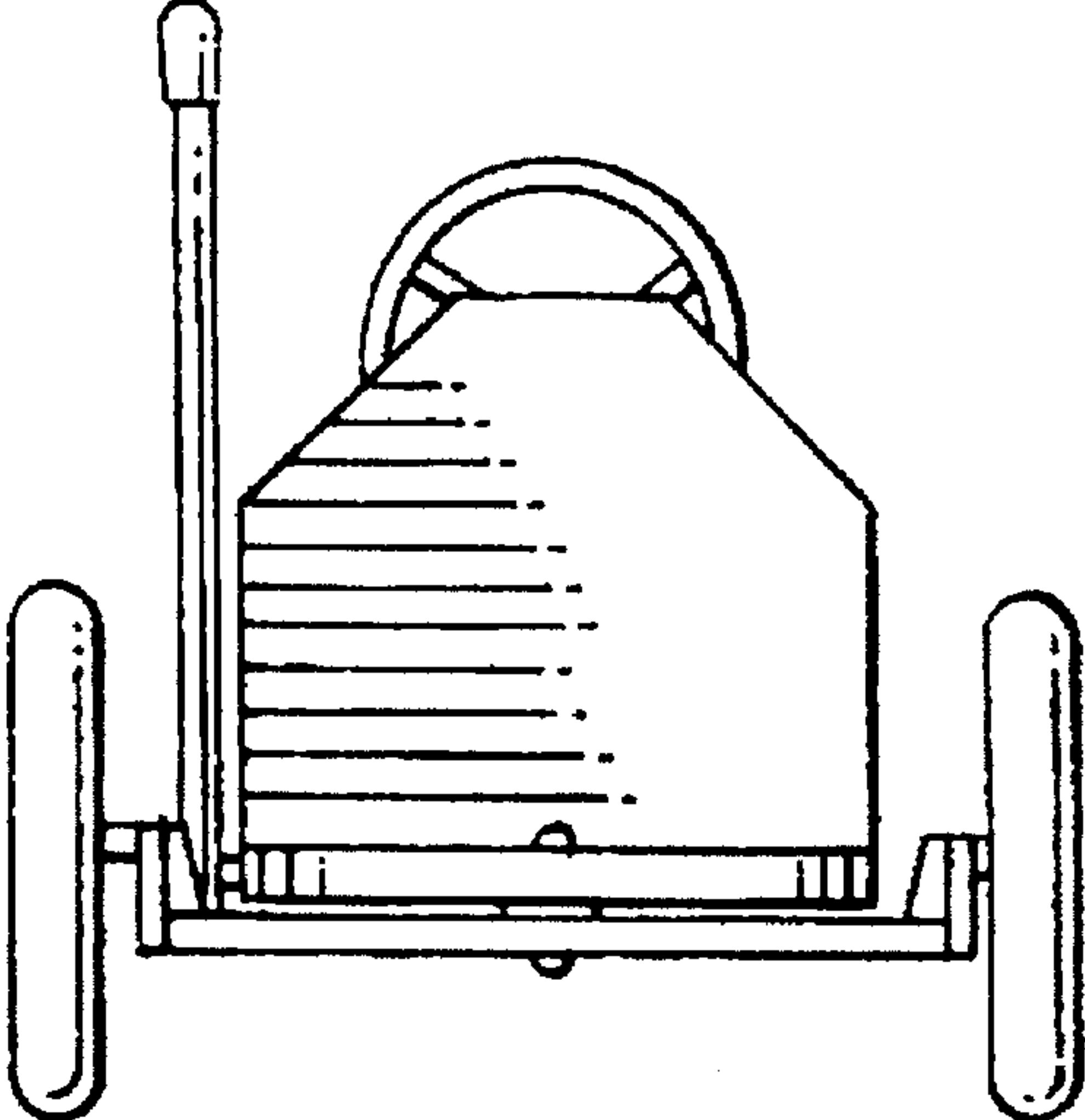


FIG. 7

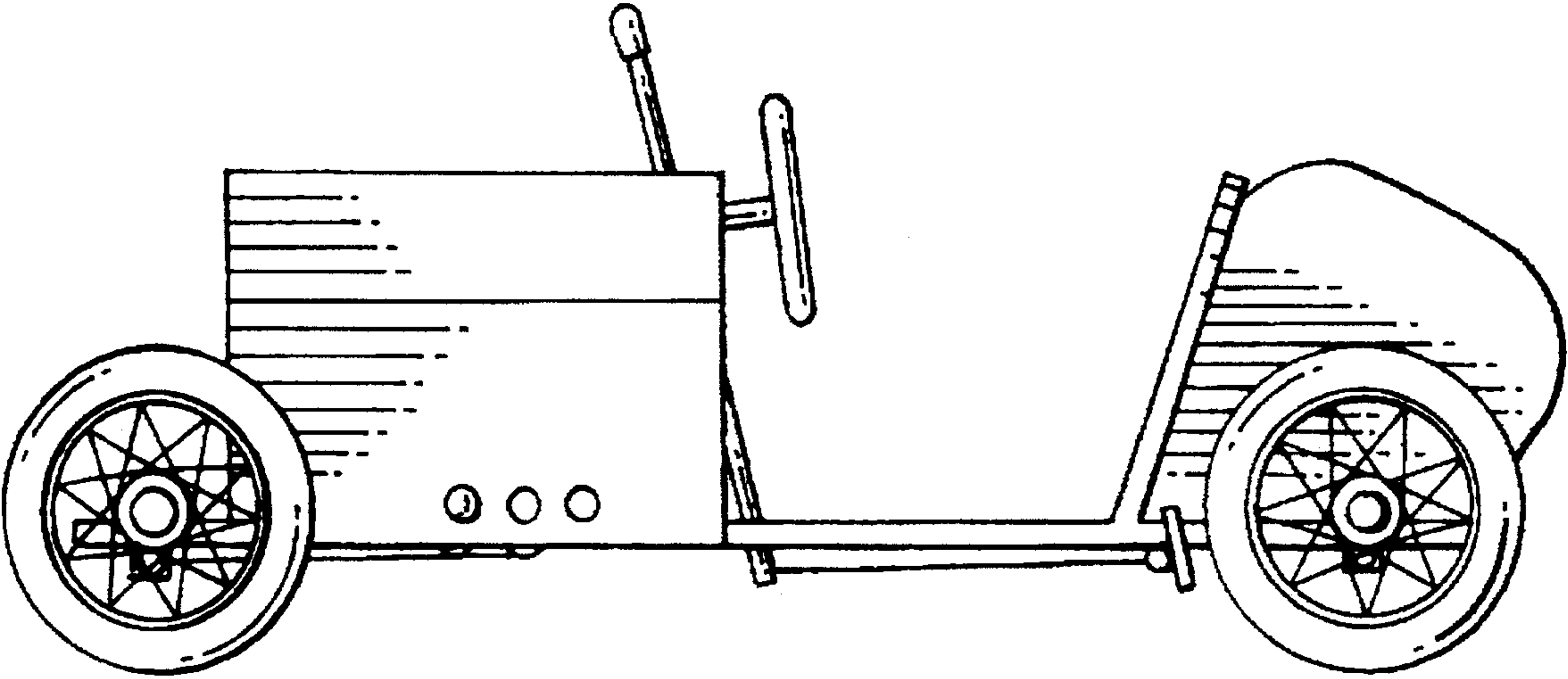


FIG. 8