



US00D383497S

United States Patent [19]

Robertson

[11] Patent Number: Des. 383,497

[45] Date of Patent: **Sep. 9, 1997

[54] DISPLAY DEVICE

3,473,249 10/1969 Ankrum 40/747
4,805,324 2/1989 Andersson 40/541

[76] Inventor: **Mary N. Robertson**, P.O. Box 337,
Lenoir City, Tenn. 37771

[**] Term: **14 Years**

OTHER PUBLICATIONS

Advertisement: "The Fire Box Screen", Black Creek Enterprises, Inc., 1360 Lake Front Drive, Dandridge, TN 37725.

[21] Appl. No.: **51,738**

Primary Examiner—Susan J. Lucas
Assistant Examiner—Jennifer A. Register
Attorney, Agent, or Firm—Pitts & Brittan, P.C.

[22] Filed: **Mar. 18, 1996**

[51] LOC (6) Cl. **20-03**

[52] U.S. Cl. **D20/10**

[58] **Field of Search** D6/332, 300, 449,
D6/454, 308; D20/10, 41, 40, 39, 12, 19,
42; D14/128; 40/541, 602, 791, 753, 796,
778, 777, 776, 759, 745, 738, 781, 763,
765, 606, 734, 747

[57] CLAIM

The ornamental design for a display device, as shown and described.

[56] References Cited

DESCRIPTION

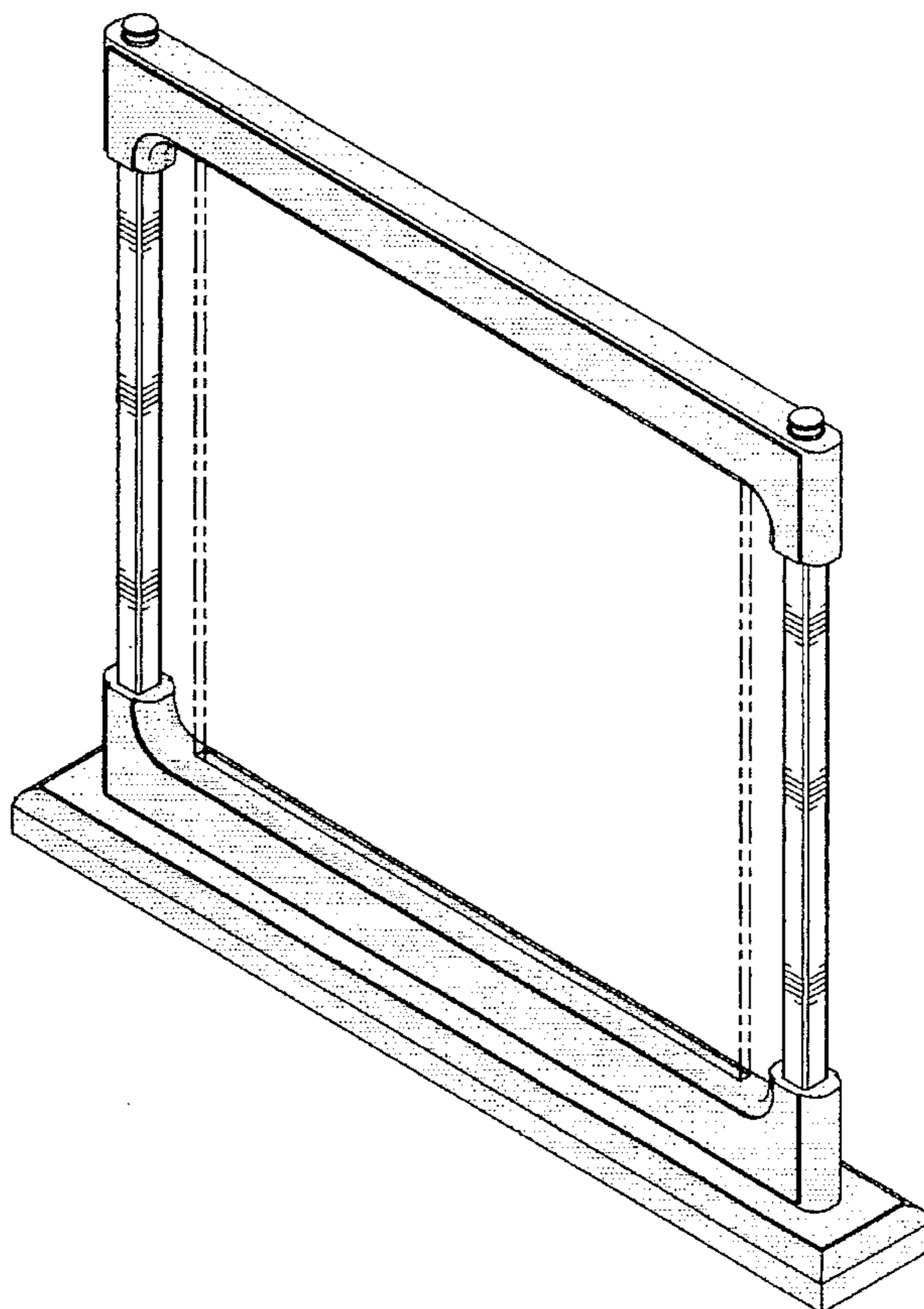
U.S. PATENT DOCUMENTS

D. 134,528	12/1942	Huber	D6/449
D. 204,110	3/1966	Gordon	D6/454 X
D. 276,397	11/1984	Pfanstiehl	D6/300
D. 304,985	12/1989	Raptis	D6/449 X
D. 308,543	6/1990	Hunter	D20/10
D. 312,177	11/1990	Walter et al.	D6/332 X
D. 324,231	2/1992	Alfonso	D20/10
D. 342,521	12/1993	Sugihara et al.	D14/128 X
2,129,519	9/1938	Arend	40/563
2,416,976	3/1947	Barbieri	40/734
2,865,124	12/1958	Mortellito	D20/41 X
2,968,109	1/1961	Timmins	40/763

FIG. 1 is a perspective view a display device showing my new design;
FIG. 2 is a front elevation view thereof, the rear elevation view being a mirror image thereof;
FIG. 3 is a top plan view thereof;
FIG. 4 is a left side elevation view thereof, the right side elevation being a mirror image thereof;
FIG. 5 is a bottom view thereof;
FIG. 6 is a top plan view thereof, in section taken at 6—6 in FIG. 2 ; and,
FIG. 7 is a bottom view thereof, in section taken at 7—7 in FIG. 2.

The phantom lines in FIG. 1 depict a displayed item, and form no part of the claimed design.

1 Claim, 4 Drawing Sheets



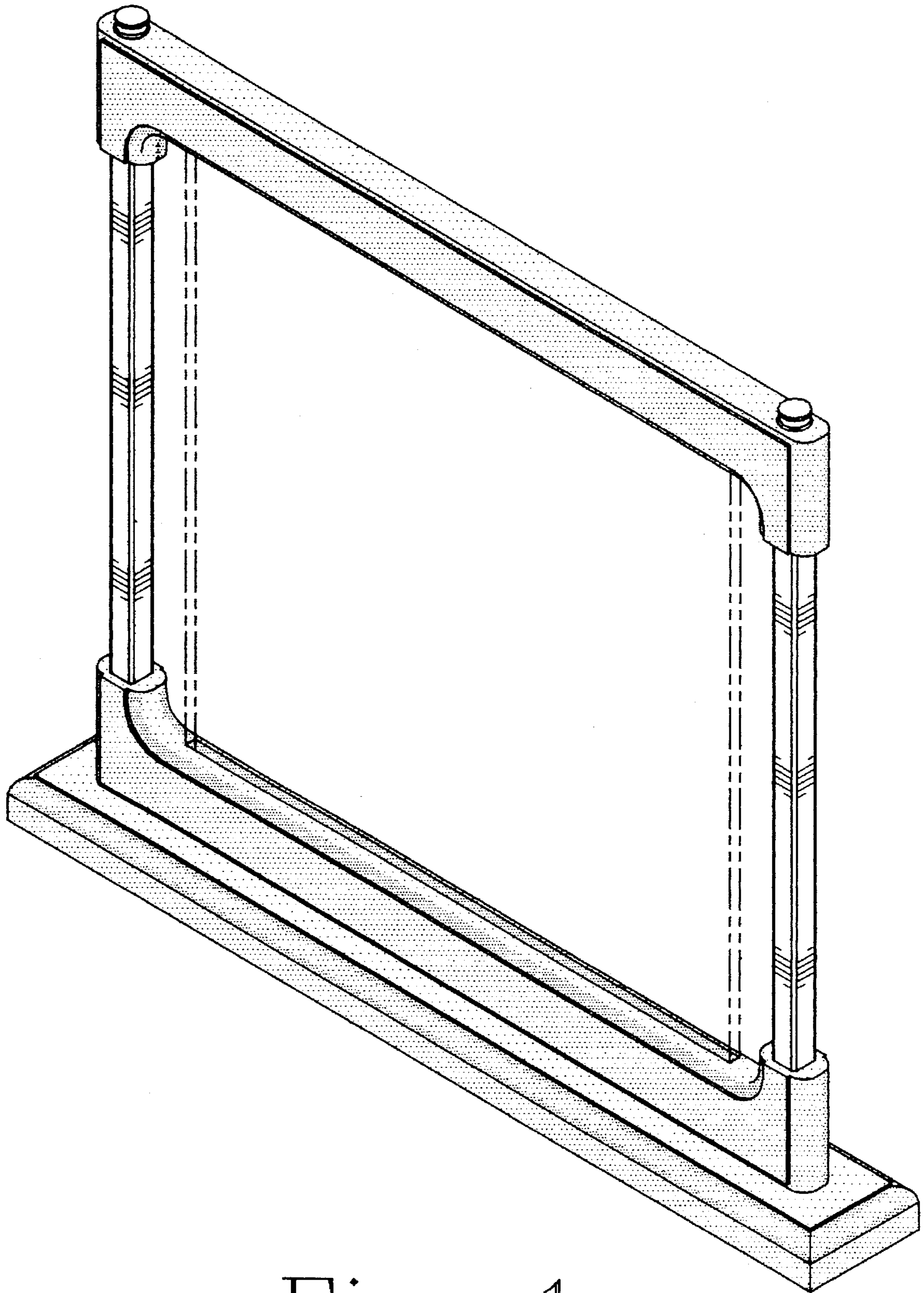


Fig. 1

Fig. 2

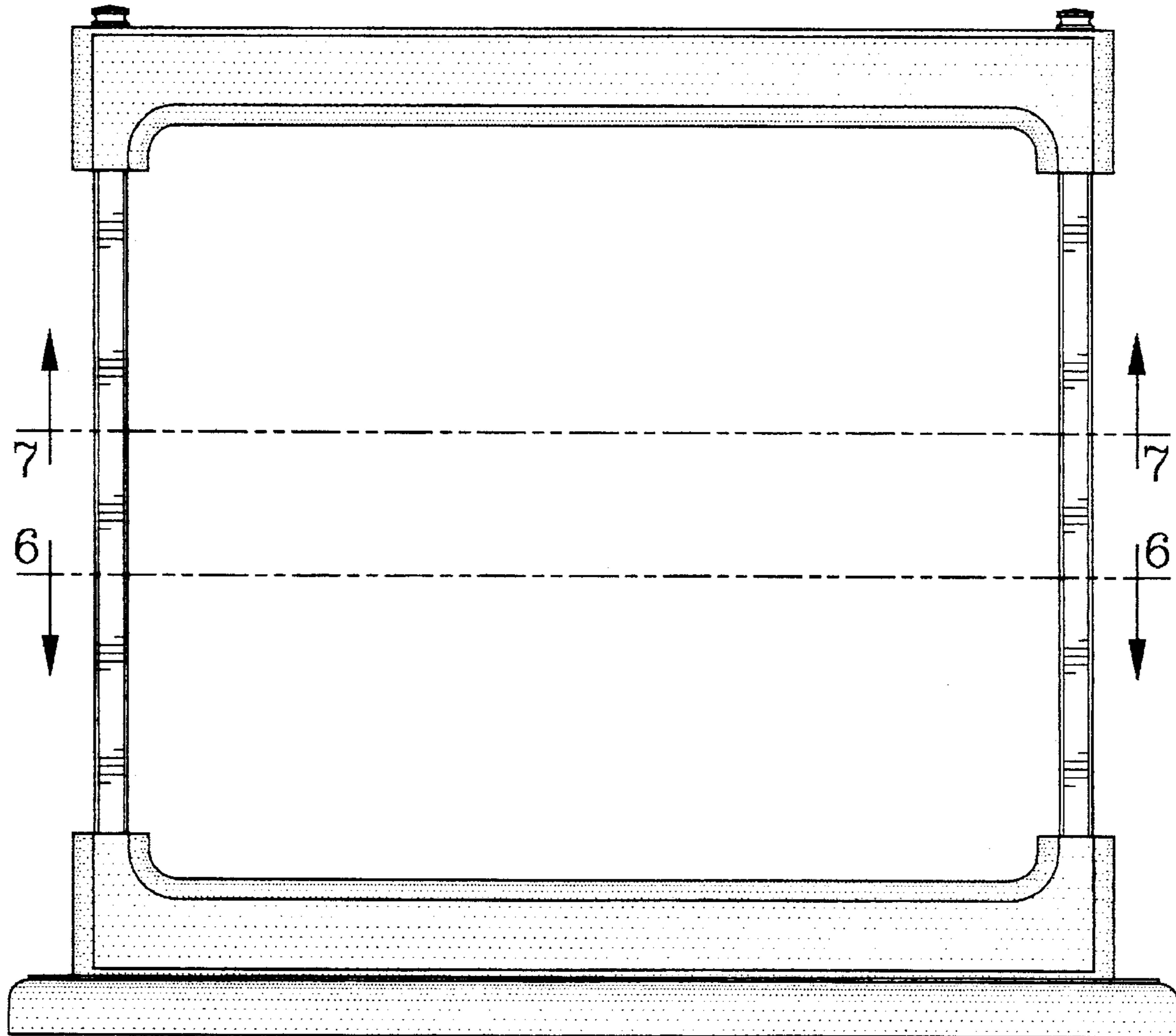


Fig. 3

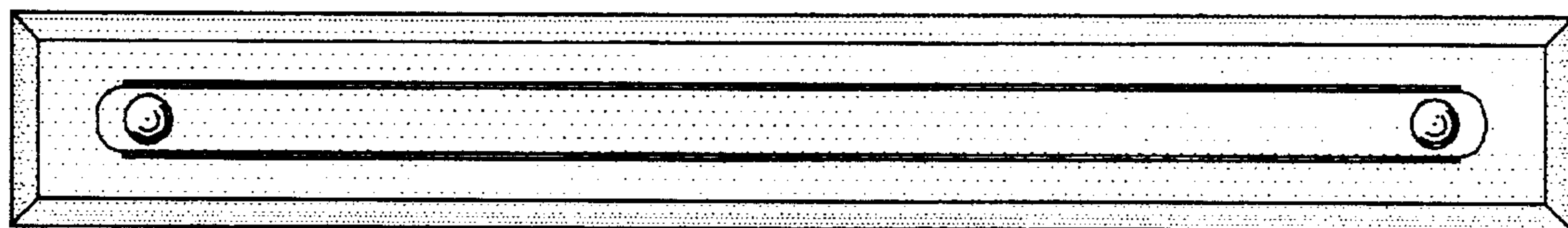


Fig. 4

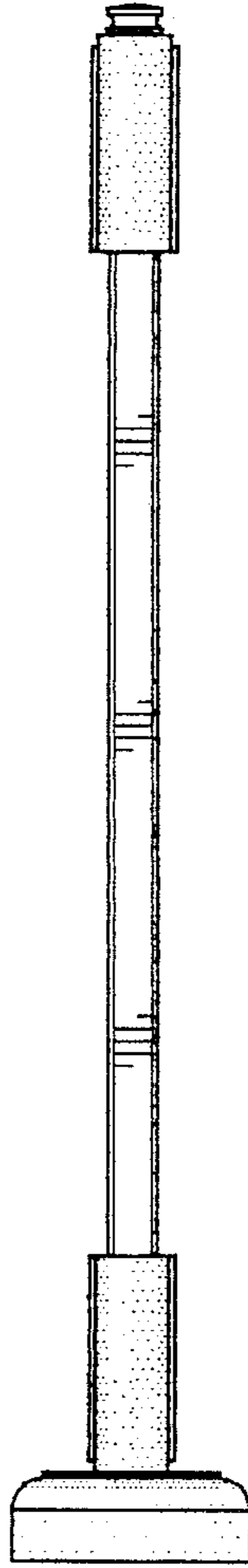


Fig. 5

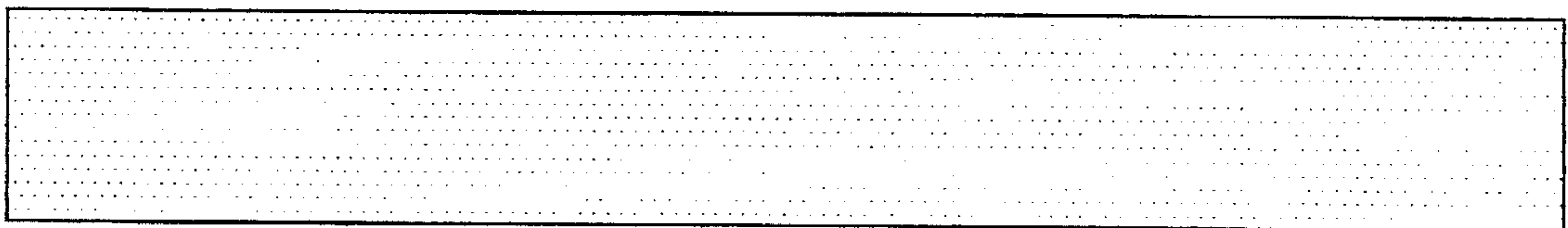


Fig. 6

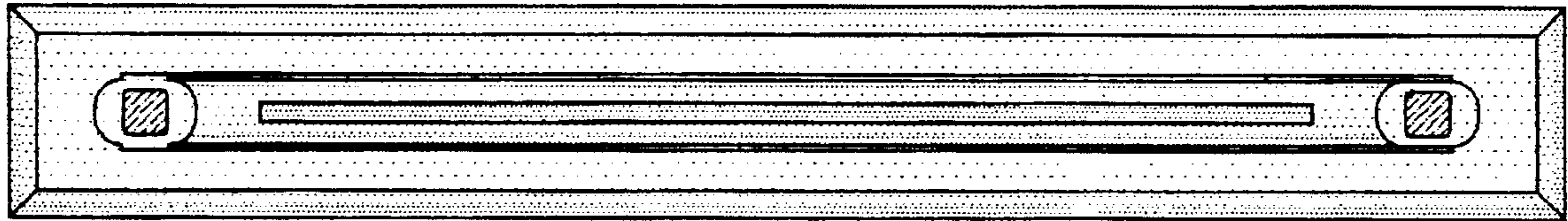


Fig. 7

