



US00D383491S

United States Patent [19]
Chang

[11] **Patent Number:** **Des. 383,491**
[45] **Date of Patent:** ****Sep. 9, 1997**

[54] **COMBINED PICTURE AND CALENDAR HOLDER**

[76] **Inventor:** **Anny Hsiang-Chi Chang**, 380 E. Bonita Ave., Pomona, Calif. 91767

[**] **Term:** **14 Years**

[21] **Appl. No.:** **22,846**

[22] **Filed:** **May 13, 1994**

[51] **LOC (6) Cl.** **19-03**

[52] **U.S. Cl.** **D19/20; D19/92; D6/314**

[58] **Field of Search** **D19/20, 21, 22, D19/23, 88; D6/634, 635; 40/312, 642, 120, 107, 122, 110; 206/45.24, 45.27, 425, 311, 265; 248/441.1, 442.2, 445, 446, 447**

[56] **References Cited**

U.S. PATENT DOCUMENTS

Re. 33,443	11/1990	Ackeret	40/122	X
D. 218,489	8/1970	Finkel	D19/20	
D. 354,520	1/1995	Pong	D6/314	X
2,486,452	11/1949	Anitole	D6/314	X
4,834,334	5/1989	Robins	248/441.1	

Primary Examiner—Susan J. Lucas
Assistant Examiner—Pamela Burgess
Attorney, Agent, or Firm—Cecilia L. Yu

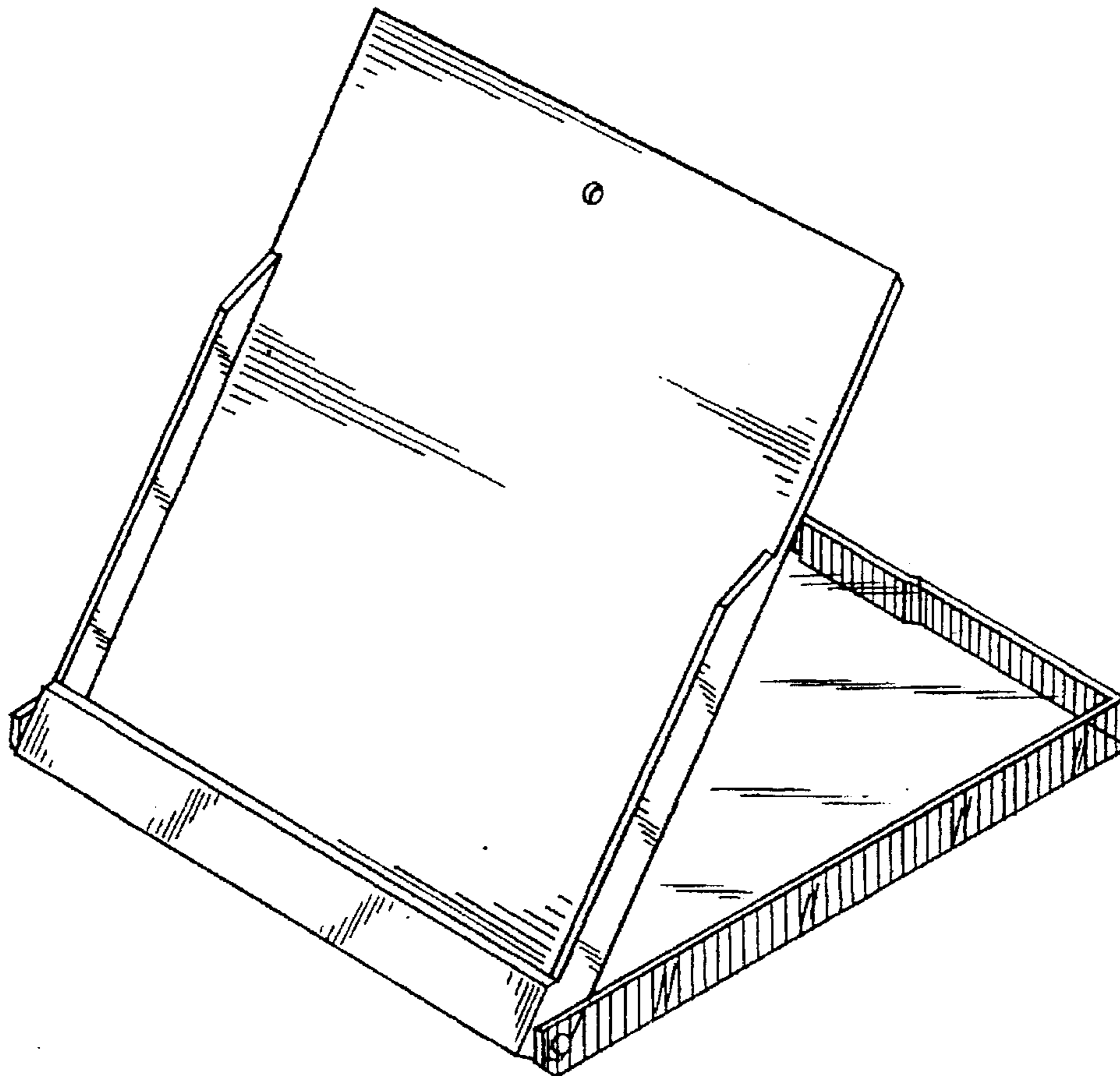
[57] **CLAIM**

The ornamental design for a combined picture and calendar holder, as shown and described.

DESCRIPTION

FIG. 1 is a top front perspective view of a combined picture and calendar holder showing my new design in an opened position;
FIG. 2 is a top rear perspective view thereof;
FIG. 3 is a right side elevational view thereof;
FIG. 4 is a left side elevational view thereof;
FIG. 5 is a bottom plan view thereof;
FIG. 6 is a top plan view thereof;
FIG. 7 is a top rear perspective view thereof, in a closed position;
FIG. 8 is a front elevational view thereof;
FIG. 9 is a rear elevational view thereof;
FIG. 10 is a right side elevational view thereof;
FIG. 11 is a left side elevational view thereof;
FIG. 12 is a bottom plan view thereof, in a closed position;
FIG. 13 is a top plan view thereof, in a closed position; and,
FIG. 14 is an exploded front perspective view thereof, the top lid shown separately for clarity of illustration only.

1 Claim, 3 Drawing Sheets



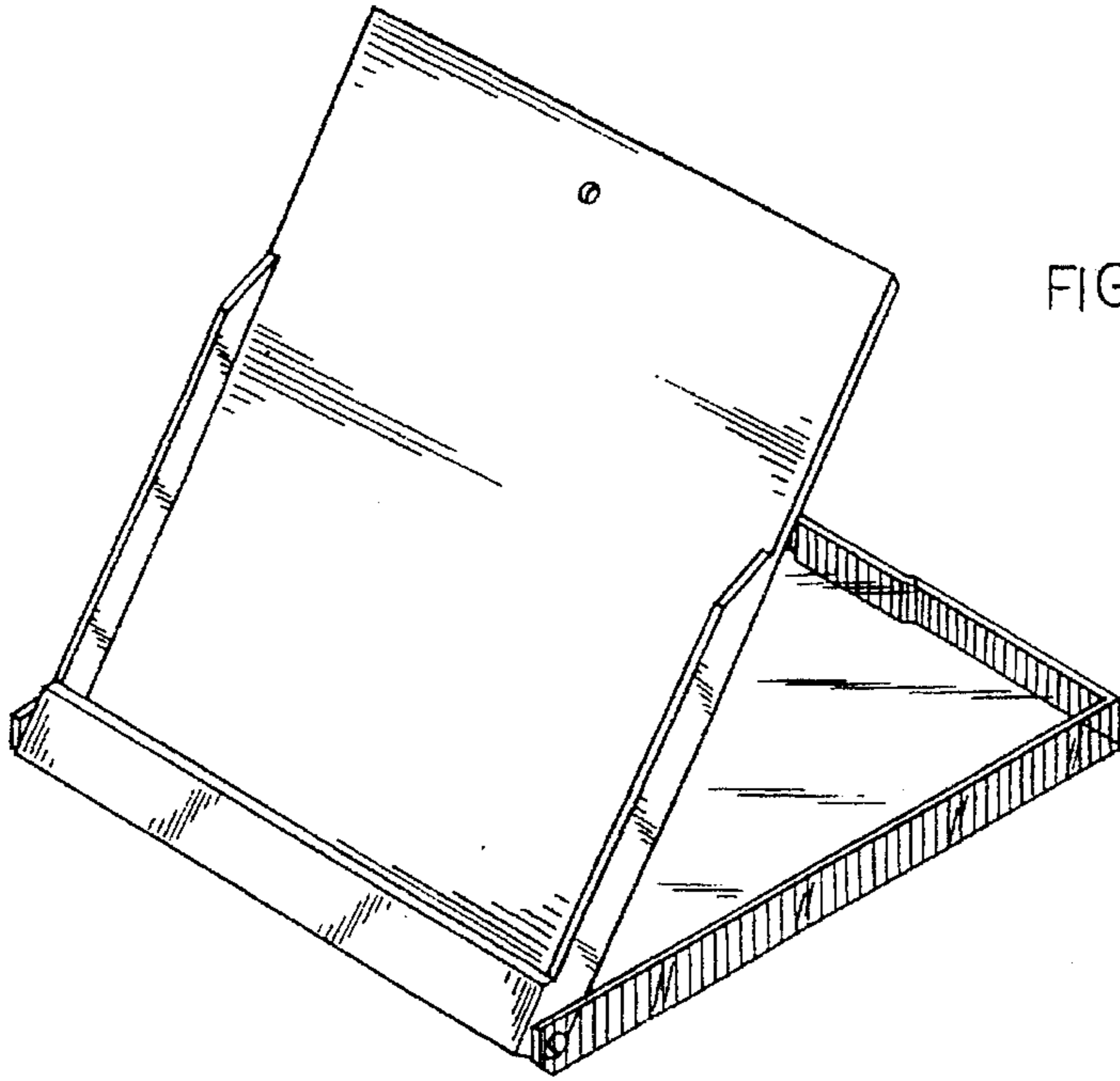


FIG.1

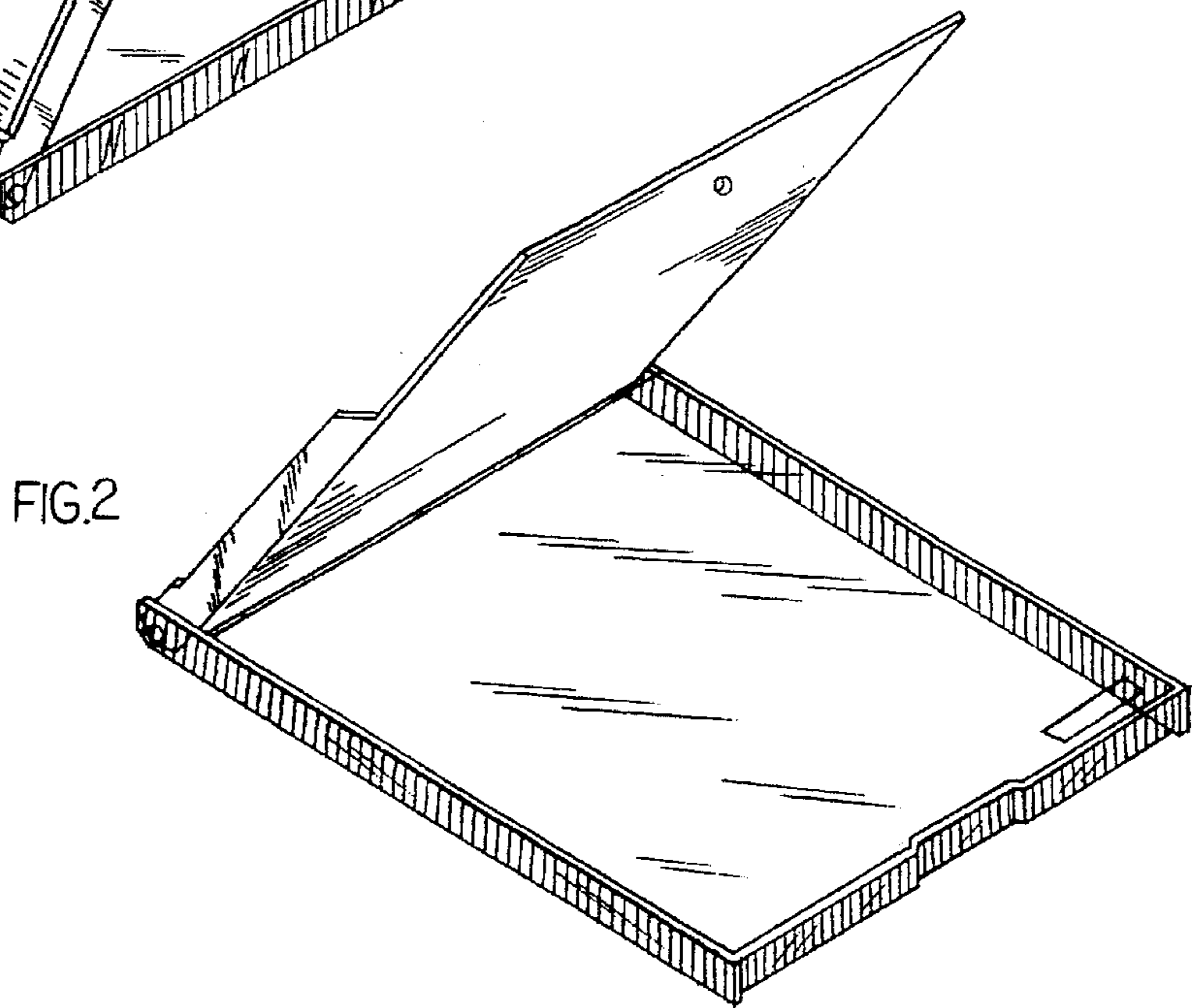


FIG.2

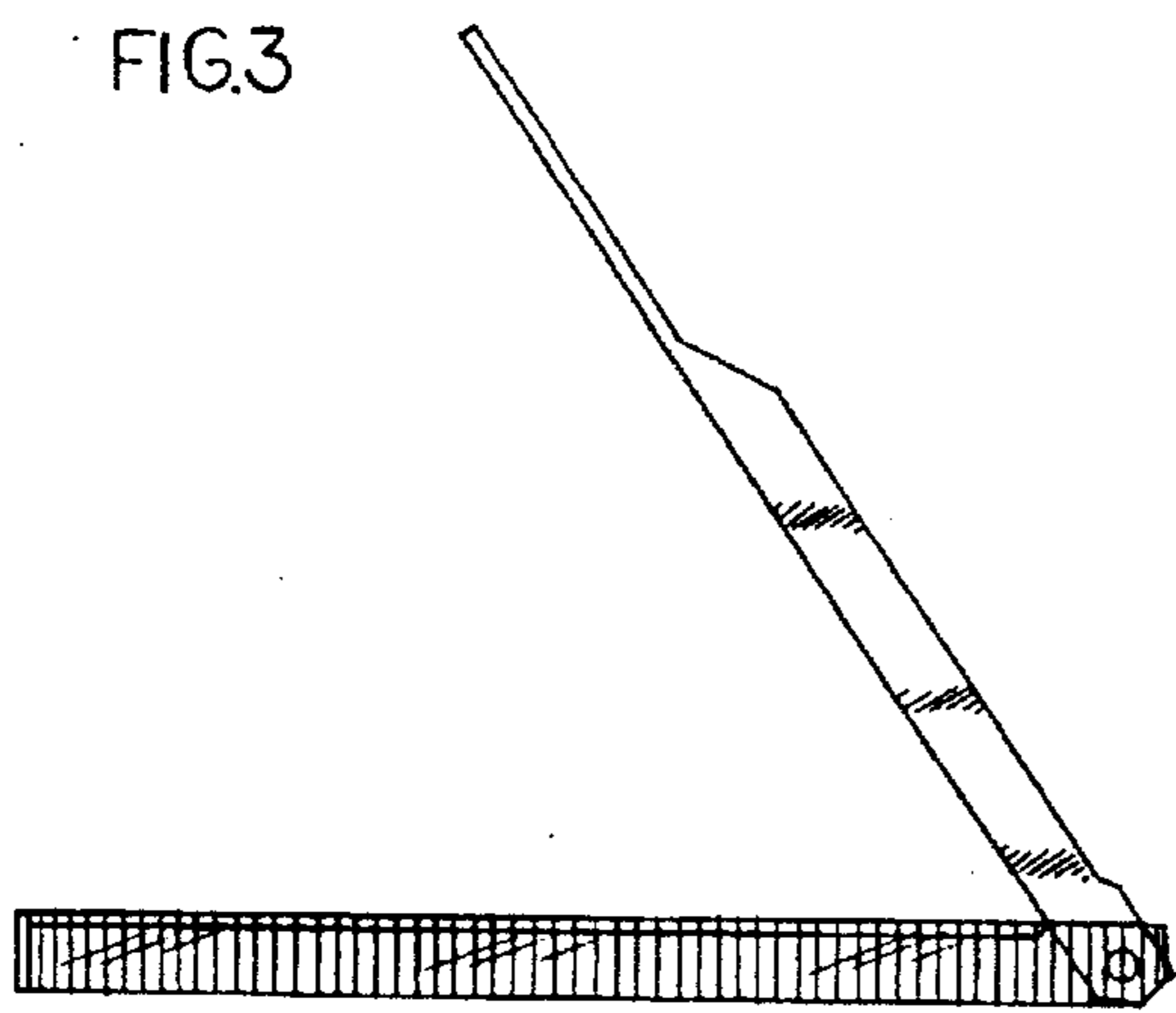


FIG.3

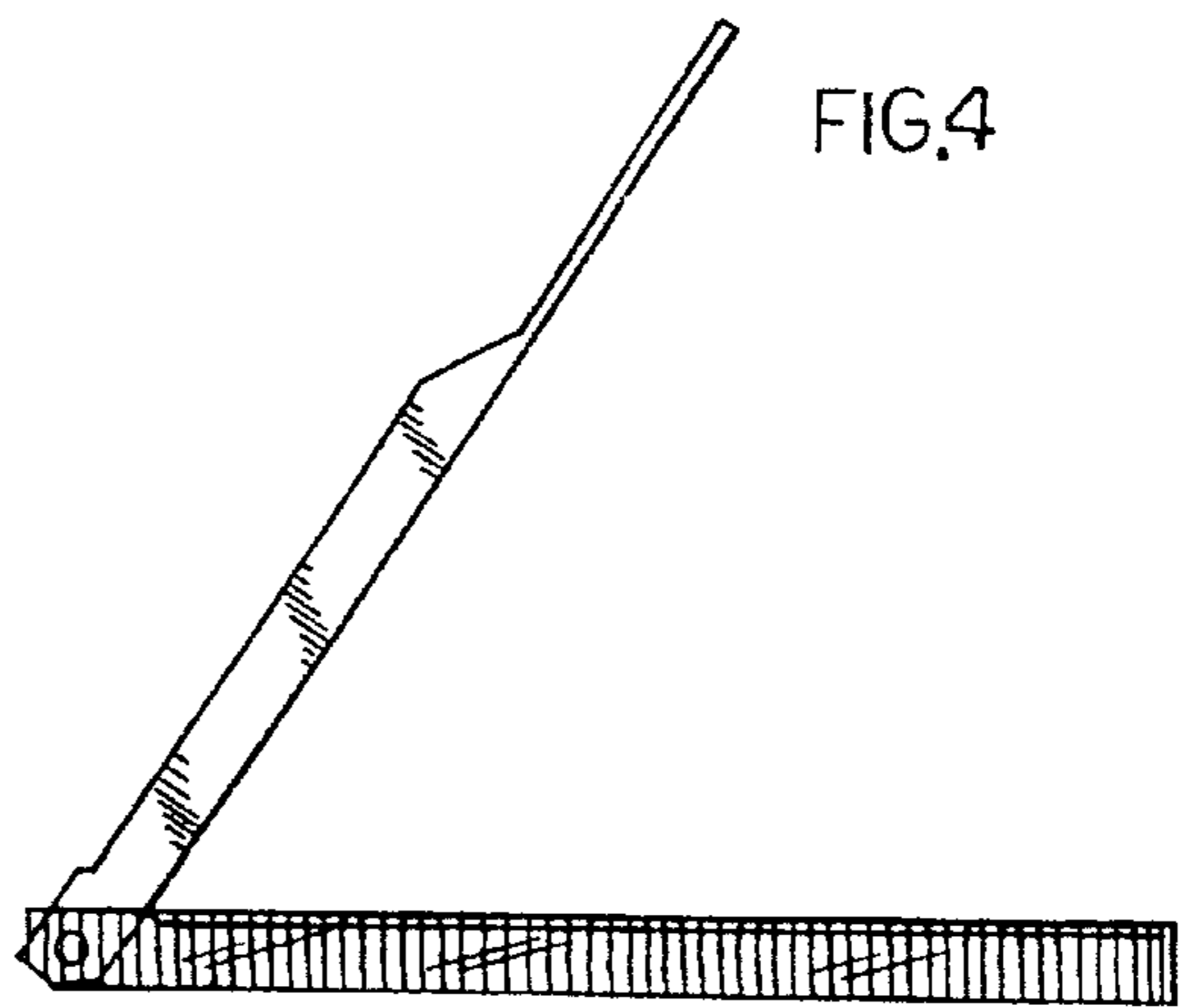


FIG.4

FIG.5

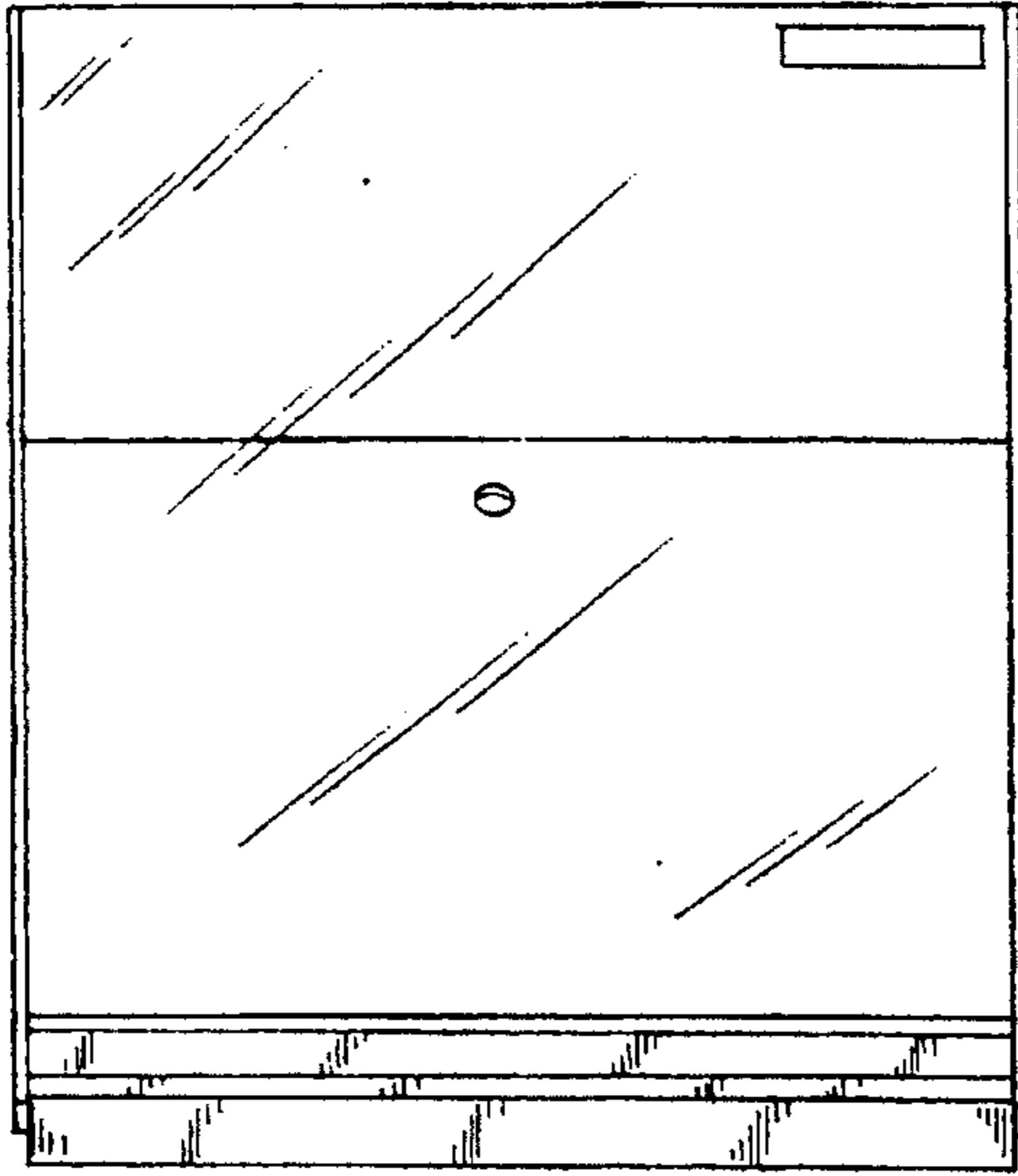


FIG.6

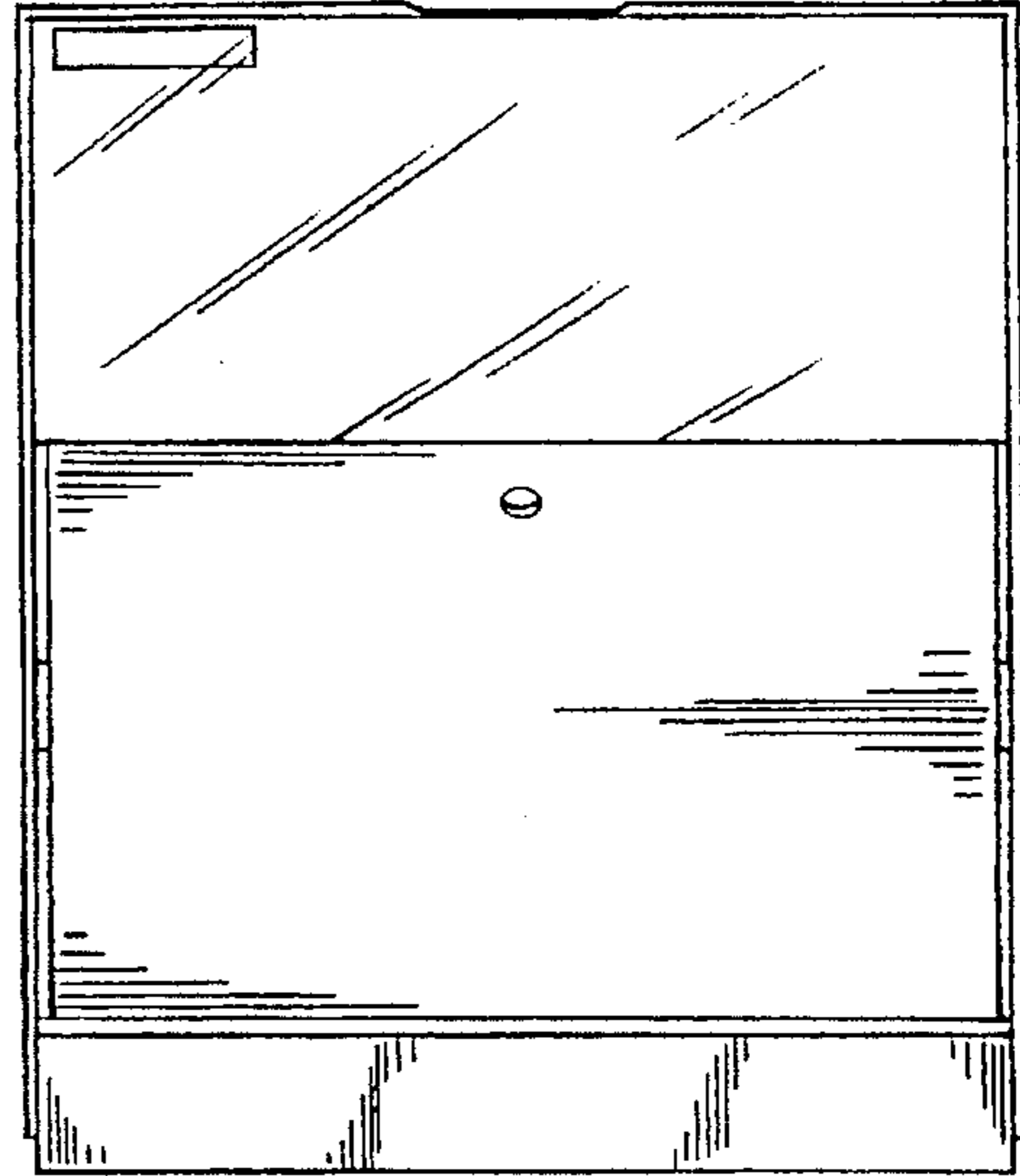


FIG.8



FIG.9



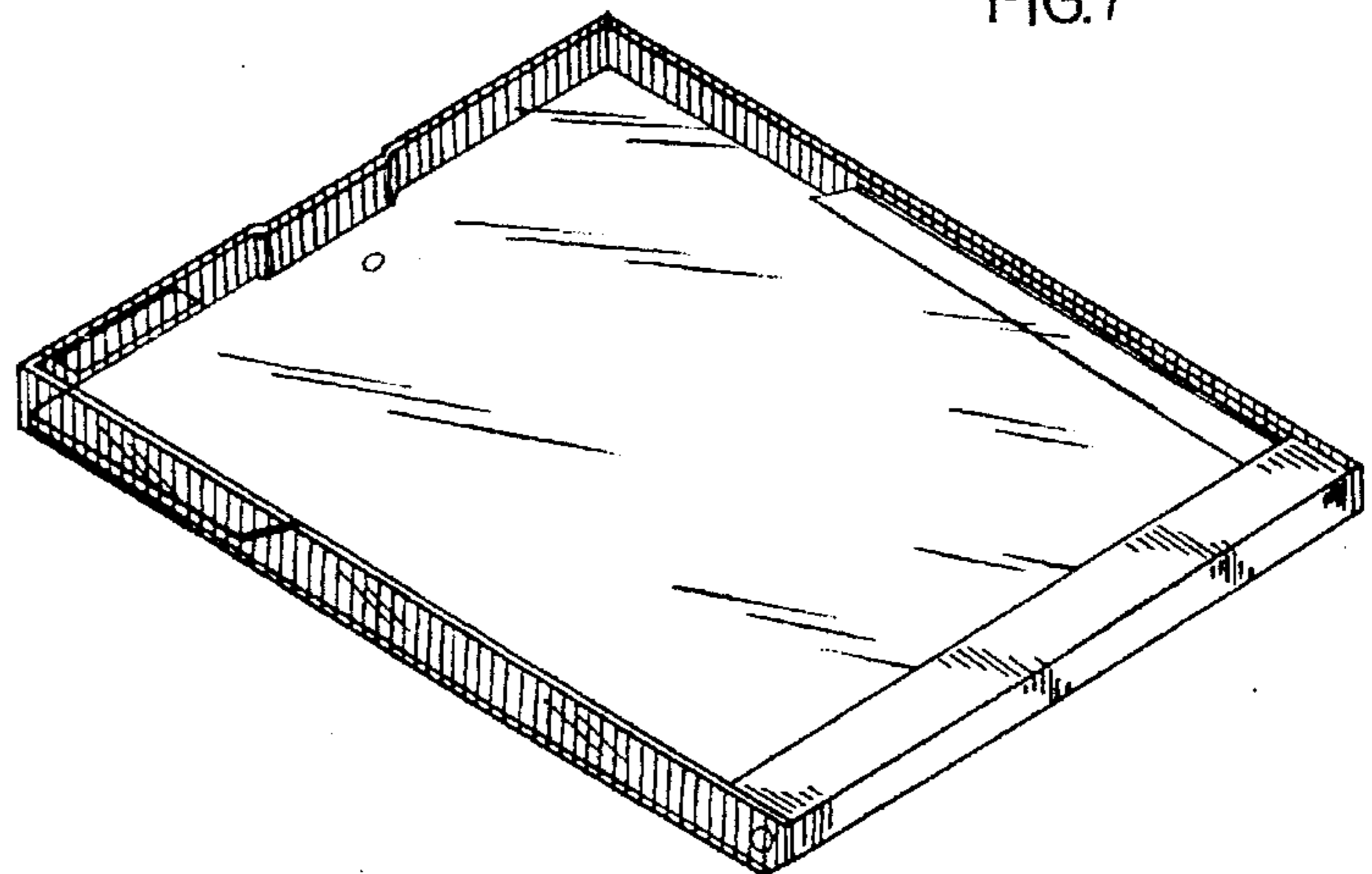
FIG.10



FIG.11



FIG.7



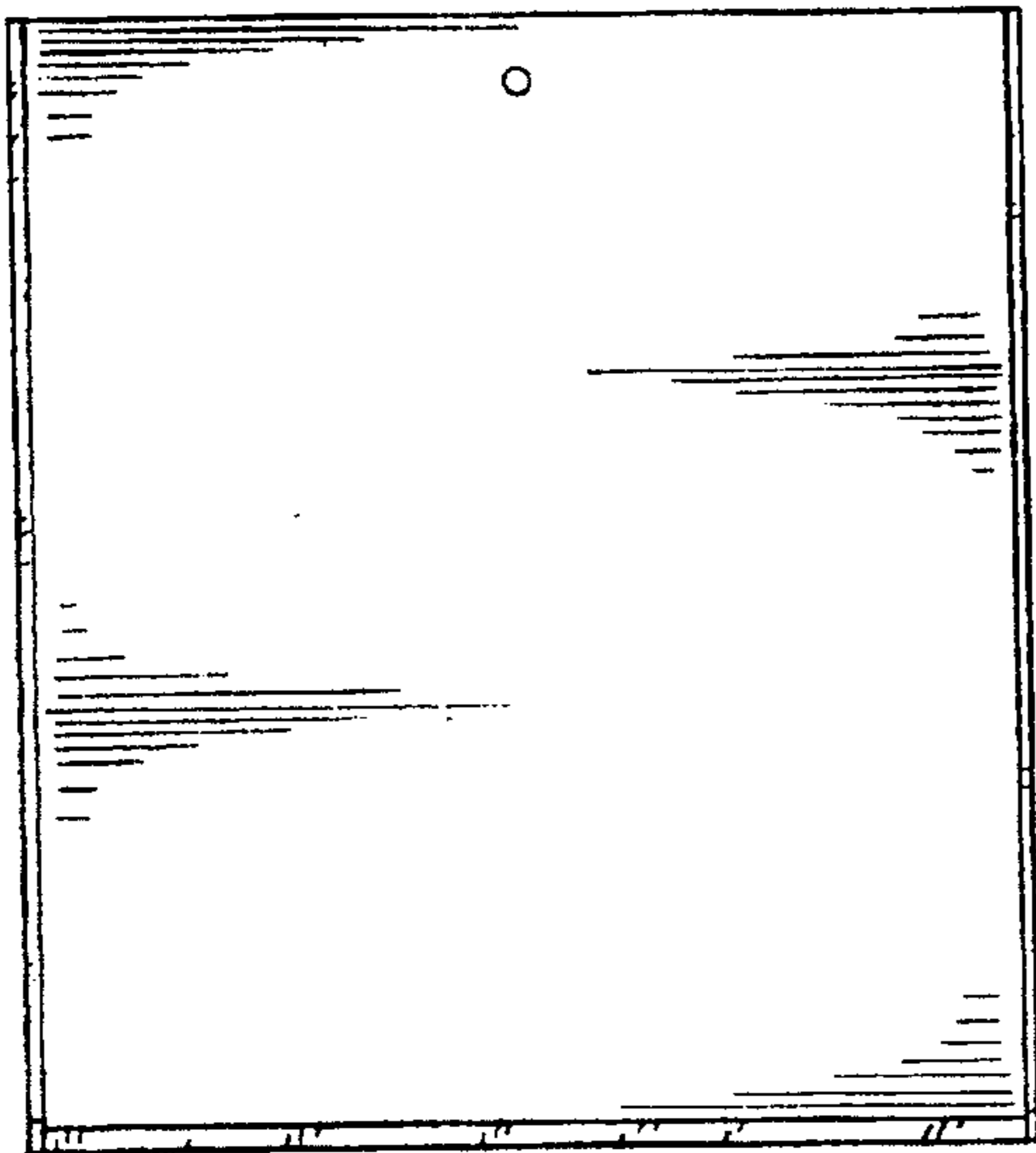


FIG. 12

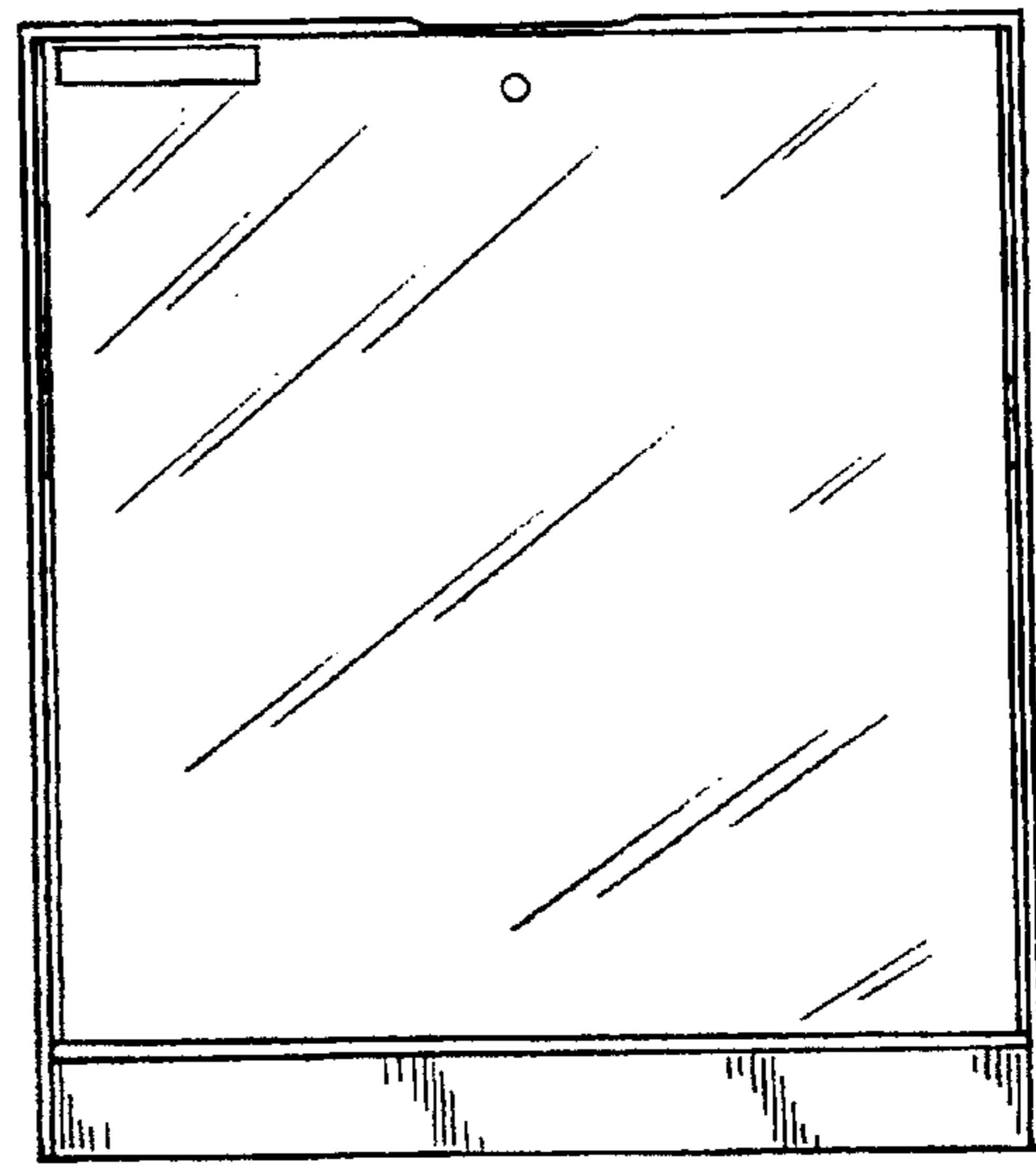


FIG. 13

FIG. 14

