



US00D383487S

United States Patent [19]

Mochihara et al.

[11] Patent Number: **Des. 383,487**

[45] Date of Patent: ****Sep. 9, 1997**

- [54] **PRINTER FOR COMPUTER**
- [75] Inventors: **Shigeo Mochihara; Hideki Enomoto,**
both of Tokyo, Japan
- [73] Assignee: **Oki Data Corporation,** Tokyo, Japan
- [**] Term: **14 Years**
- [21] Appl. No.: **49,304**
- [22] Filed: **Jan. 22, 1996**
- [51] LOC (6) Cl. **18-02**
- [52] U.S. Cl. **D18/55**
- [58] Field of Search D18/50, 54-55,
D18/36-39; D14/118; 400/613, 613.1-613.4,
691-694, 690.1-690.4

- D. 360,429 7/1995 Kawashima et al. D18/55
- D. 368,084 3/1996 Kaneko D14/118
- D. 369,382 4/1996 Matsunaga et al. D18/55
- D. 369,617 5/1996 Sato D18/54
- D. 369,827 5/1996 Inukai D18/55

OTHER PUBLICATIONS

Micro Center Catalog; p. 19; HP Laser Jet 4L Printer.
 Micro Center Catalog; p. 21; ActionLaser 1500.
 Genicom brochure; Model 7150 Large Format Laser Printer;
 Nov. 1992.

Primary Examiner—Cathy Anne MacCormac
Attorney, Agent, or Firm—Ladas & Parry

[57] CLAIM

The ornamental design for a printer for computer, as shown.

DESCRIPTION

FIG. 1 is a front view of an embodiment of a printer for computer showing our new design;
 FIG. 2 is a rear view thereof;
 FIG. 3 is a top view thereof;
 FIG. 4 is a bottom view thereof;
 FIG. 5 is a right side view thereof;
 FIG. 6 is a left side view thereof; and,
 FIG. 7 is a perspective view thereof.

1 Claim, 7 Drawing Sheets

[56] References Cited

U.S. PATENT DOCUMENTS

- D. 301,485 6/1989 Kato et al. D18/55
- D. 337,608 7/1993 Miyamoto D18/55
- D. 339,159 9/1993 Pruitt et al. D18/55
- D. 340,067 10/1993 Arakaki et al. D18/53
- D. 340,471 10/1993 Yamamoto D18/50
- D. 349,922 8/1994 Tashiro D18/50
- D. 353,155 12/1994 Stewart et al. D18/50
- D. 359,505 6/1995 Sugimoto D18/50

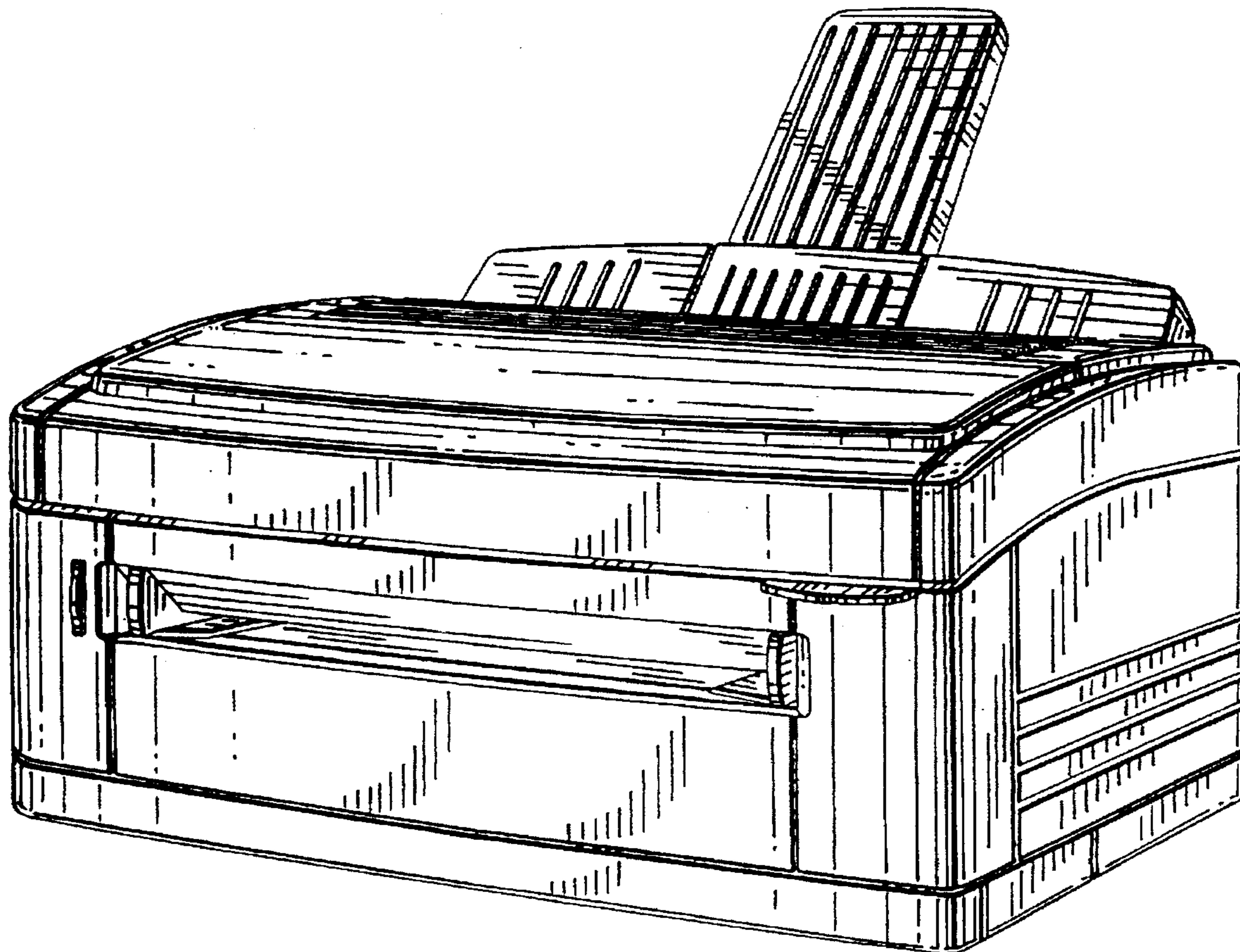


FIG. 1

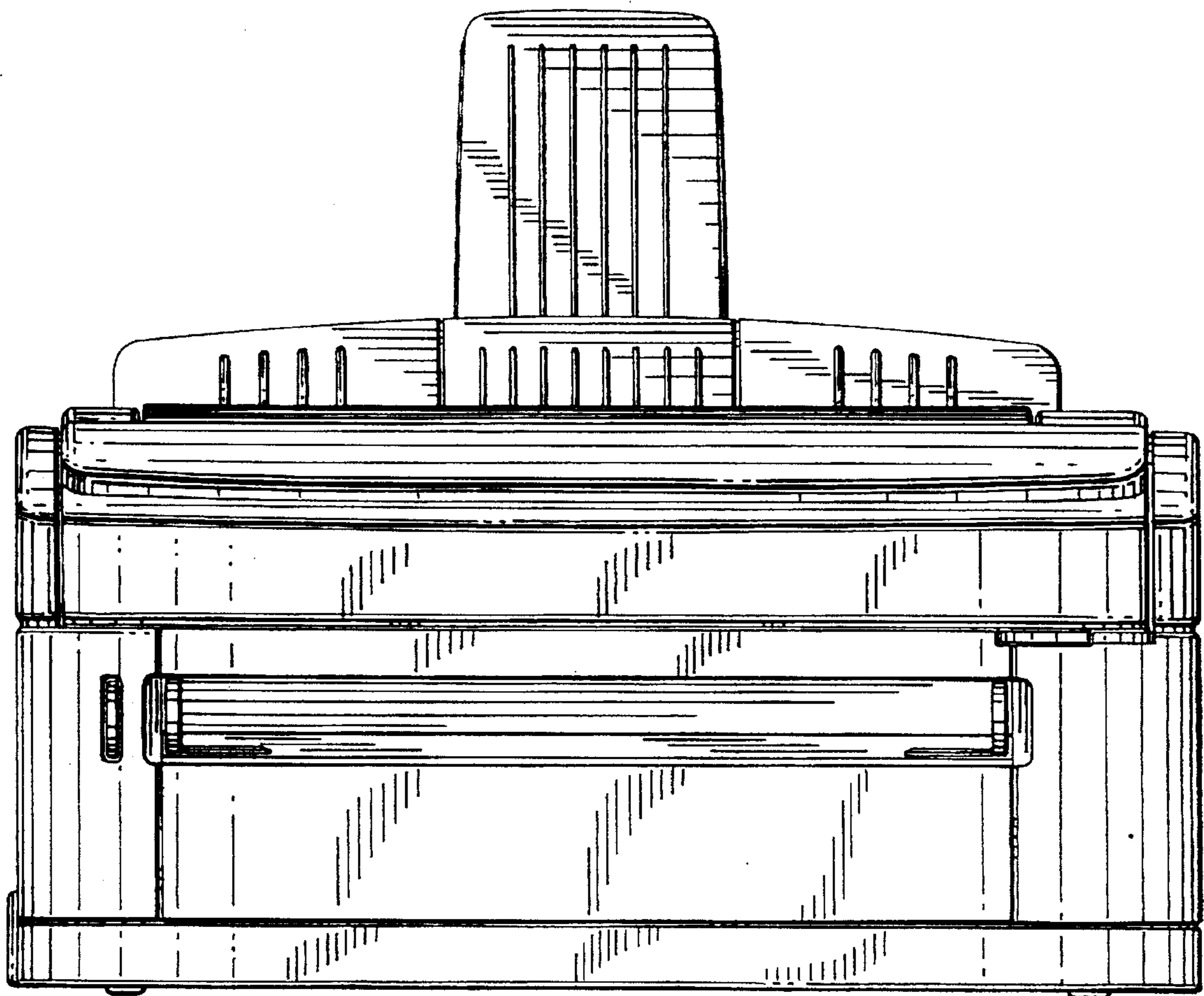


FIG. 2

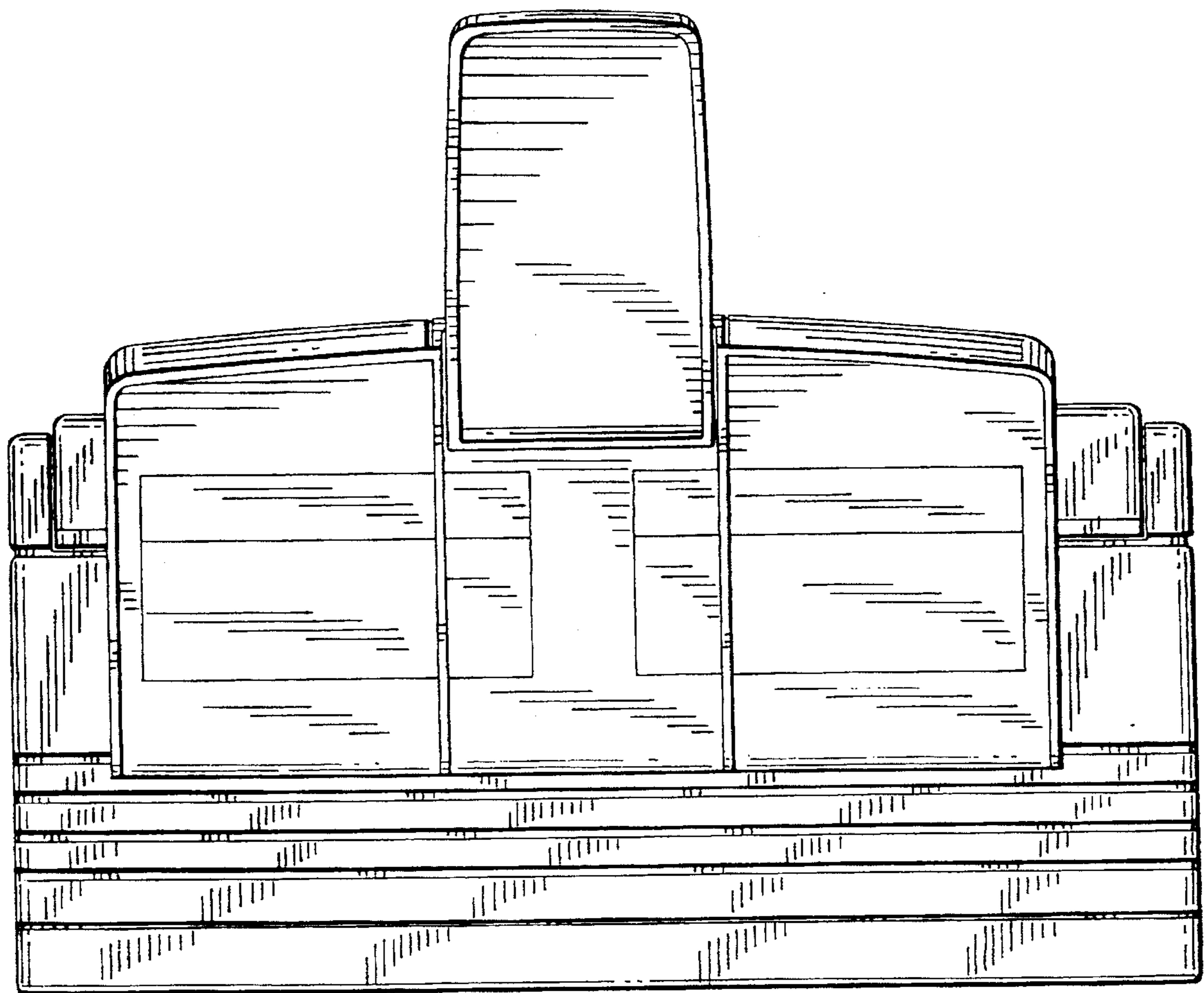


FIG. 3

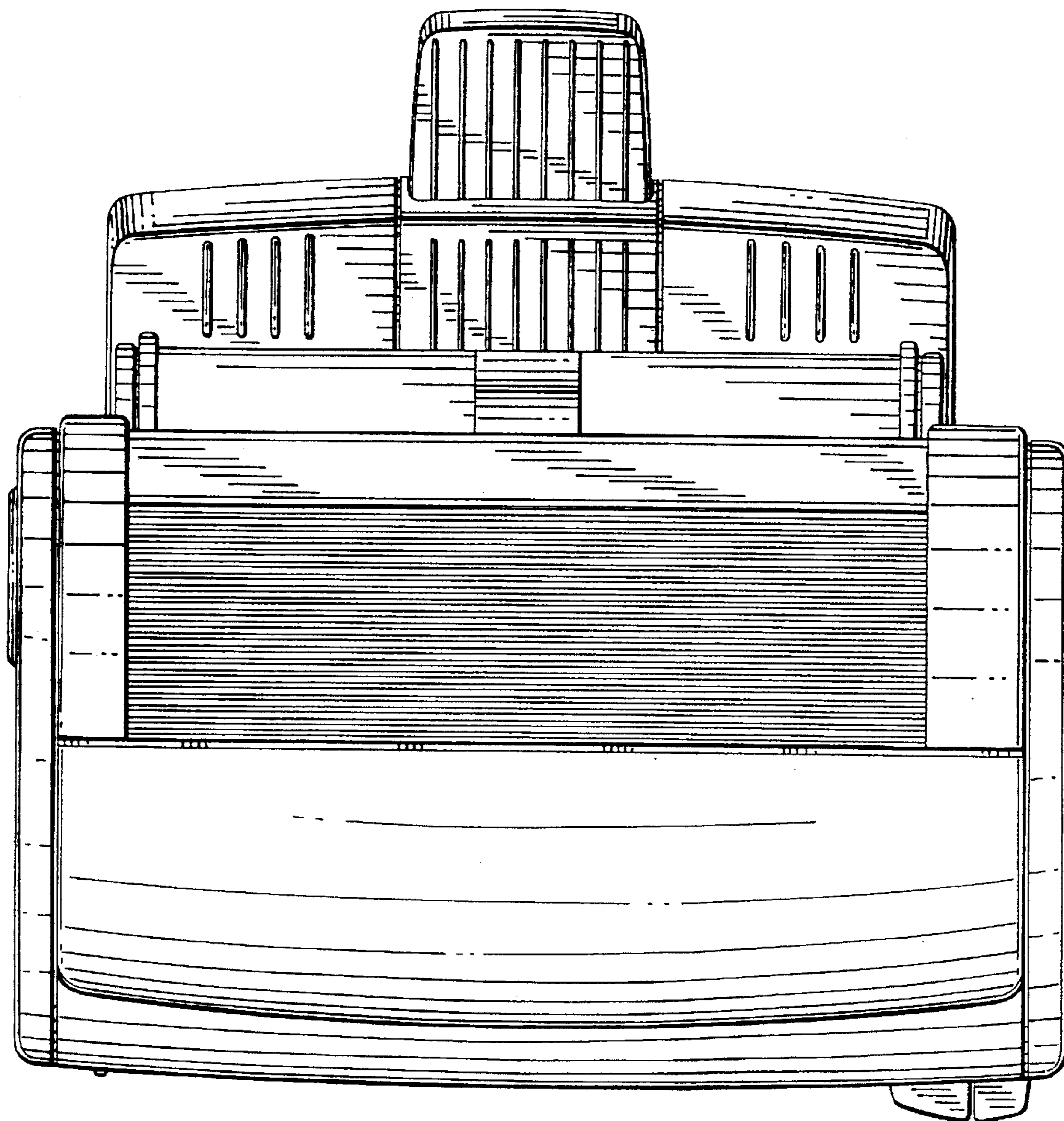
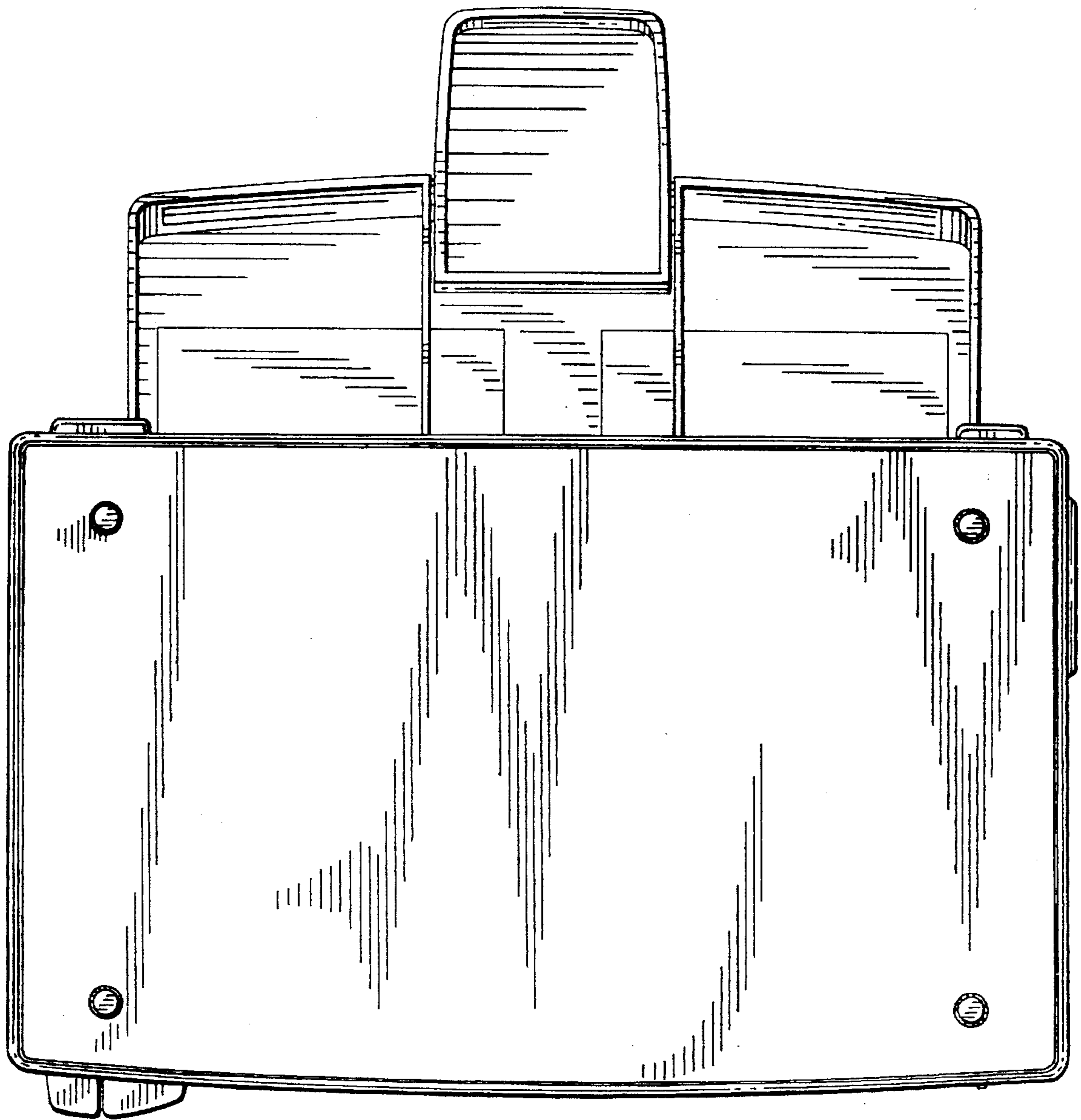


FIG. 4



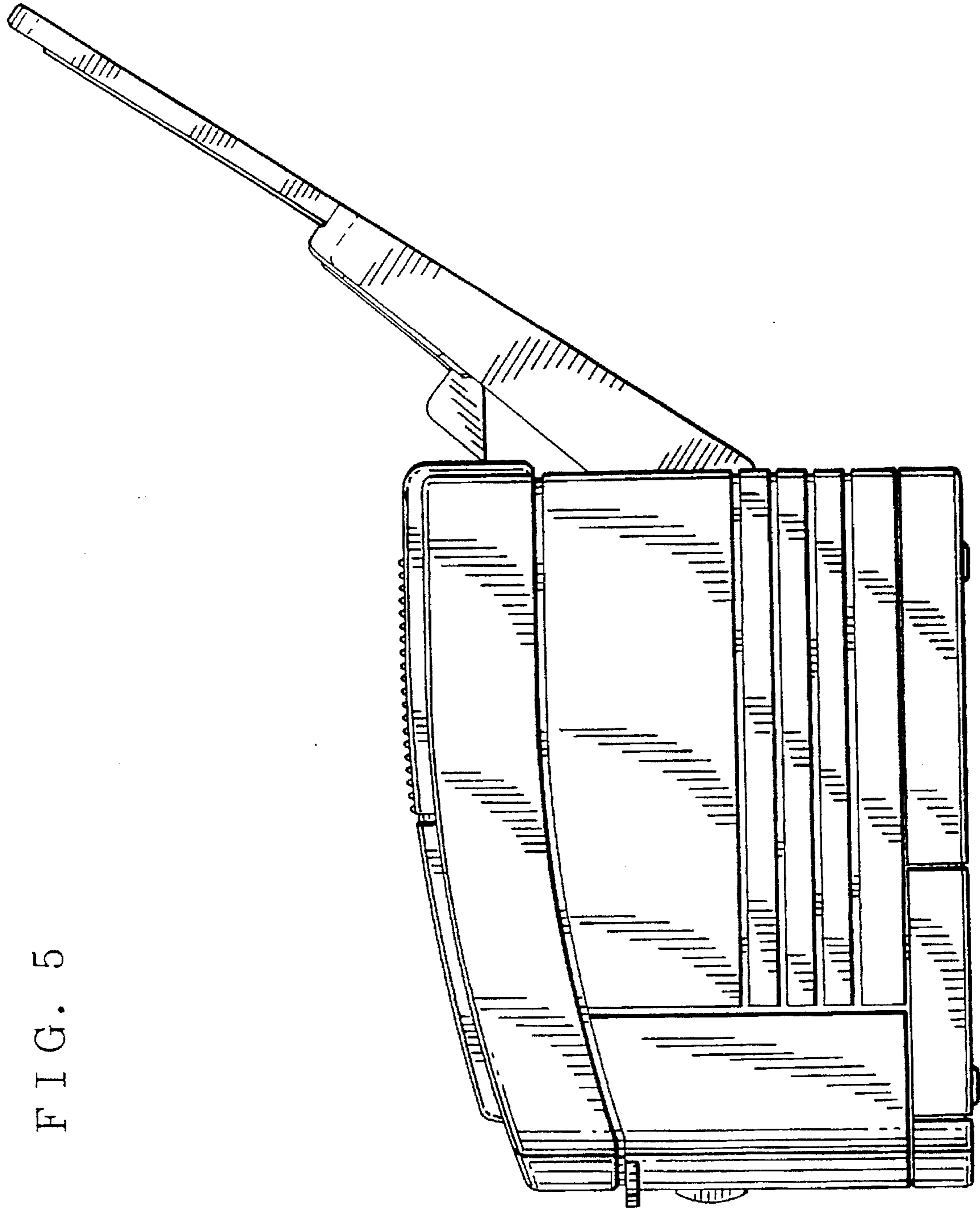


FIG. 5

FIG. 6

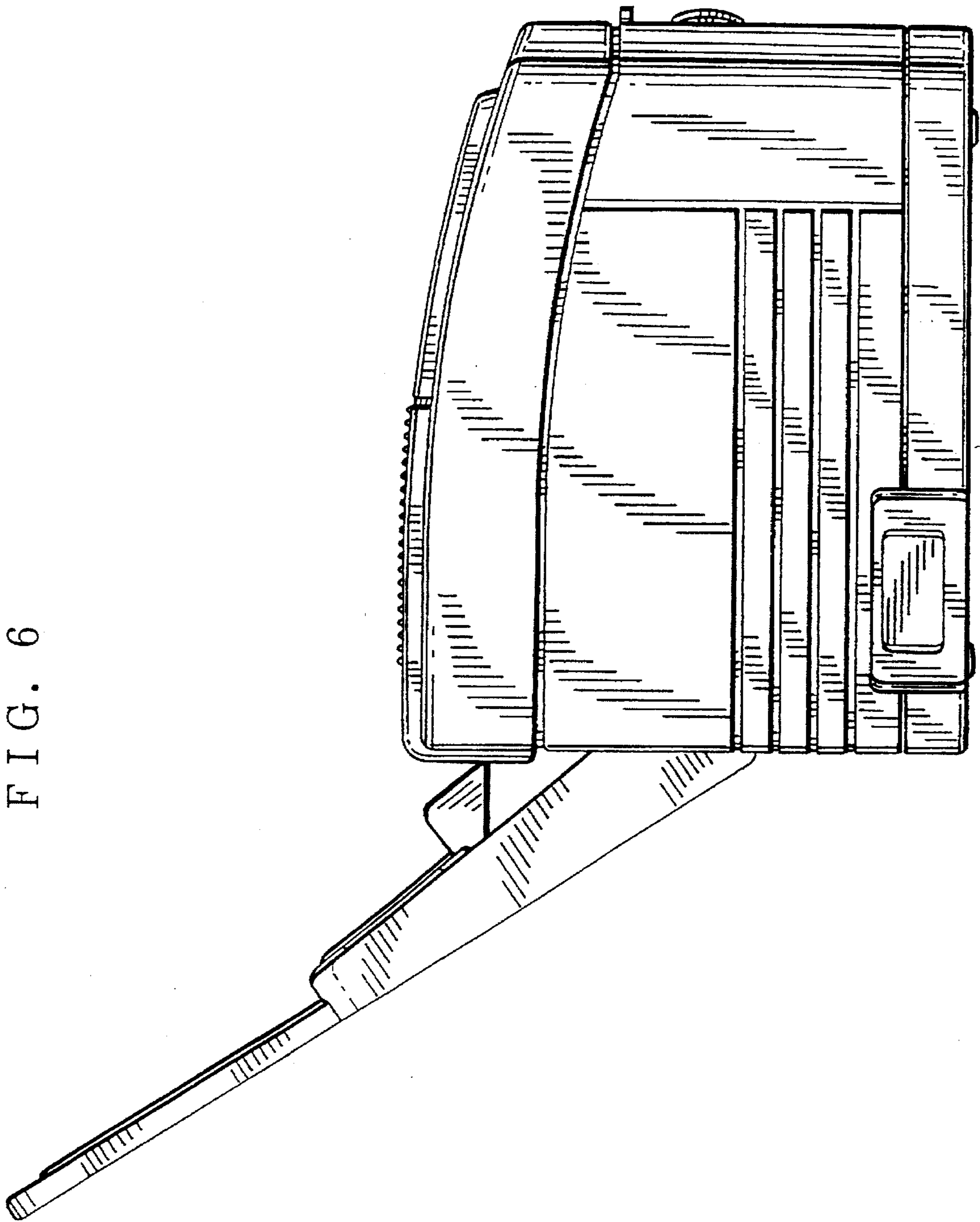


FIG. 7

