



US00D383478S

United States Patent [19]

Wilson

[11] Patent Number: **Des. 383,478**

[45] Date of Patent: ****Sep. 9, 1997**

[54] **SUNGLASSES**

[76] Inventor: **Ken Wilson**, 540 Linda Vista Rd., San Diego, Calif. 92110

[**] Term: **14 Years**

[21] Appl. No.: **46,871**

[22] Filed: **Nov. 20, 1995**

[51] LOC (6) Cl. **16-06**

[52] U.S. Cl. **D16/326**

[58] Field of Search D16/101, 300, D16/306, 309, 311-330, 335, 341; D29/110; 351/41, 44, 51, 52, 62, 83, 103, 111-121, 158; 2/428, 430, 436, 437, 440

[56] **References Cited**

U.S. PATENT DOCUMENTS

D. 192,884	5/1962	Petho	D16/326
D. 205,419	8/1966	Griss	D16/326
D. 245,251	8/1977	Zimmermann	D16/329
D. 323,516	1/1992	Miklitarian	D16/328
D. 363,504	10/1995	Amette	D16/326

D. 368,108	3/1996	Lei	D16/326
D. 369,375	4/1996	Jannard	D16/326
5,331,356	7/1994	Chiou	351/41

OTHER PUBLICATIONS

Vogue May 1992.
Domus Oct. 1985 p. 55.

Primary Examiner—Raphael Barkai
Attorney, Agent, or Firm—Charles C. Logan

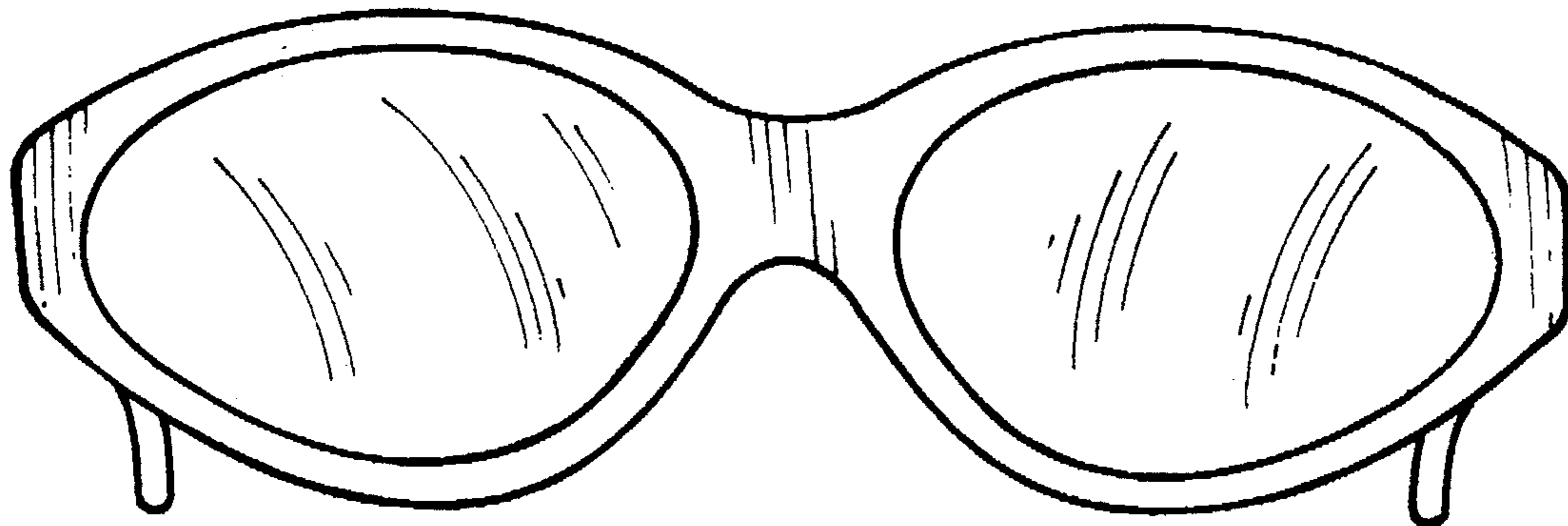
[57] **CLAIM**

The ornamental design for sunglasses, as shown and described.

DESCRIPTION

FIG. 1 is a front elevation view of the novel sunglasses; FIG. 2 is a right side elevation view thereof; FIG. 3 is a rear elevation view thereof; FIG. 4 is a left side elevation view thereof; FIG. 5 is a bottom plan view thereof; and, FIG. 6 is a top plan view thereof.

1 Claim, 1 Drawing Sheet



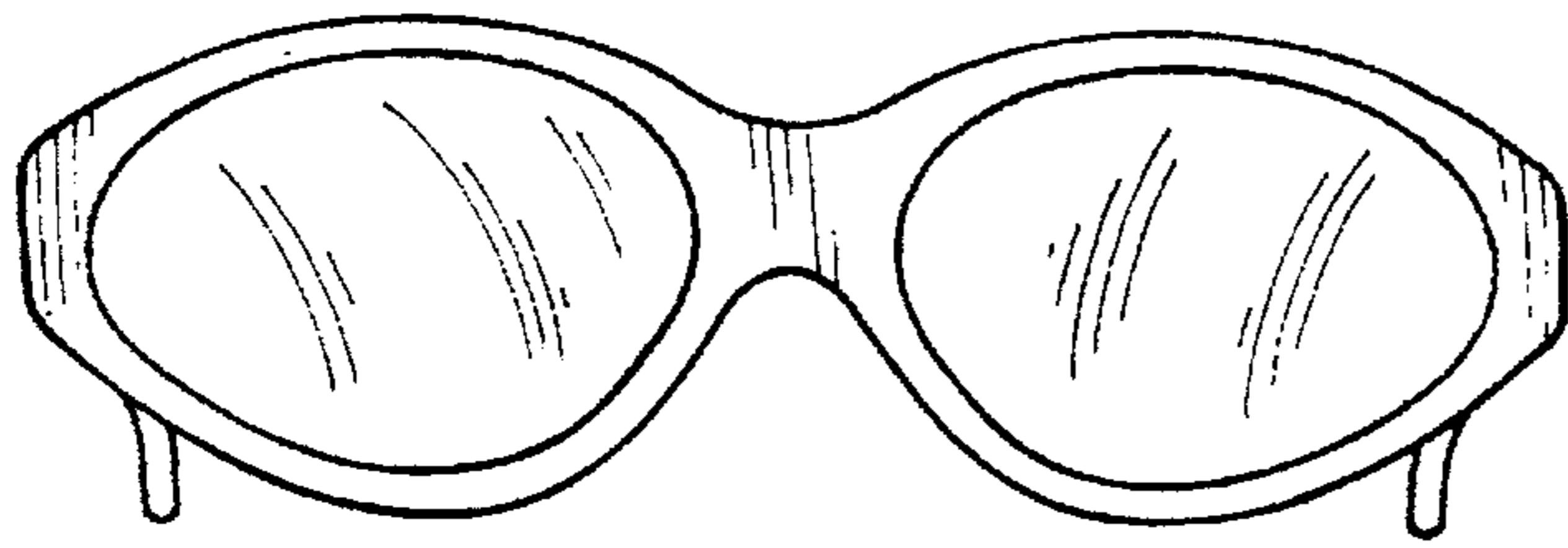


FIGURE 1

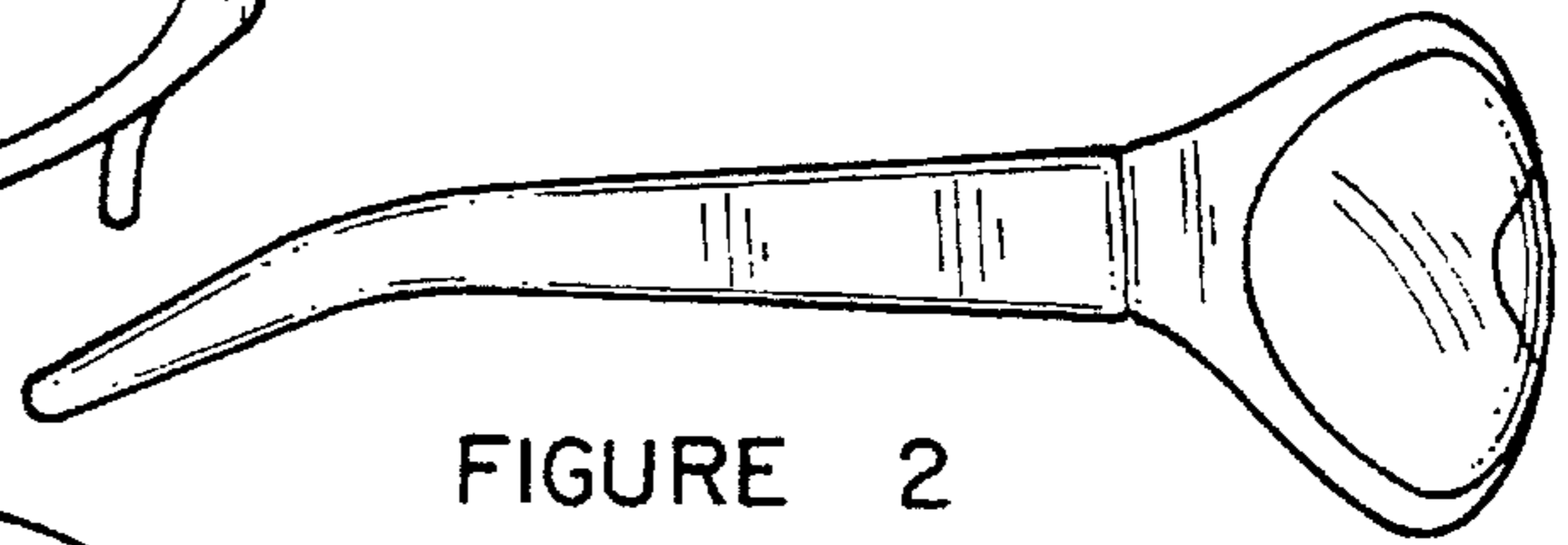


FIGURE 2

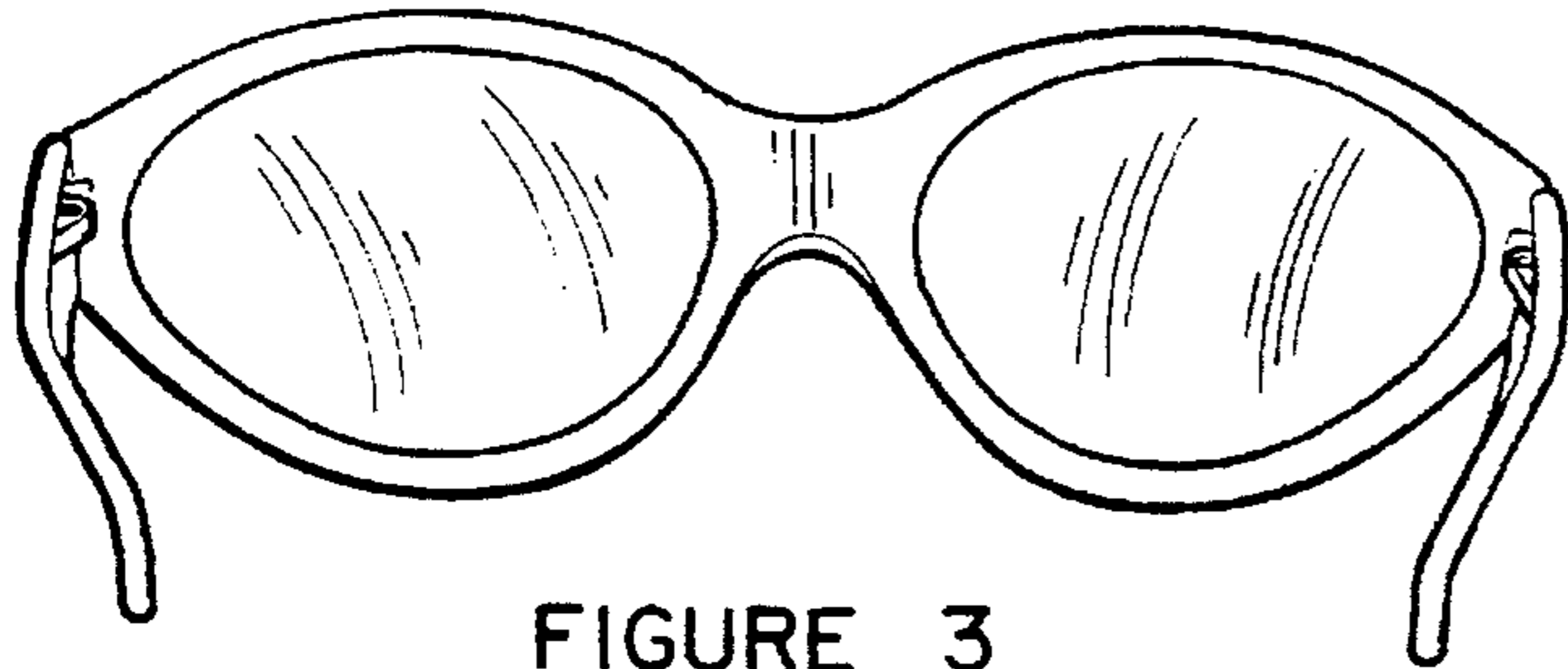


FIGURE 3

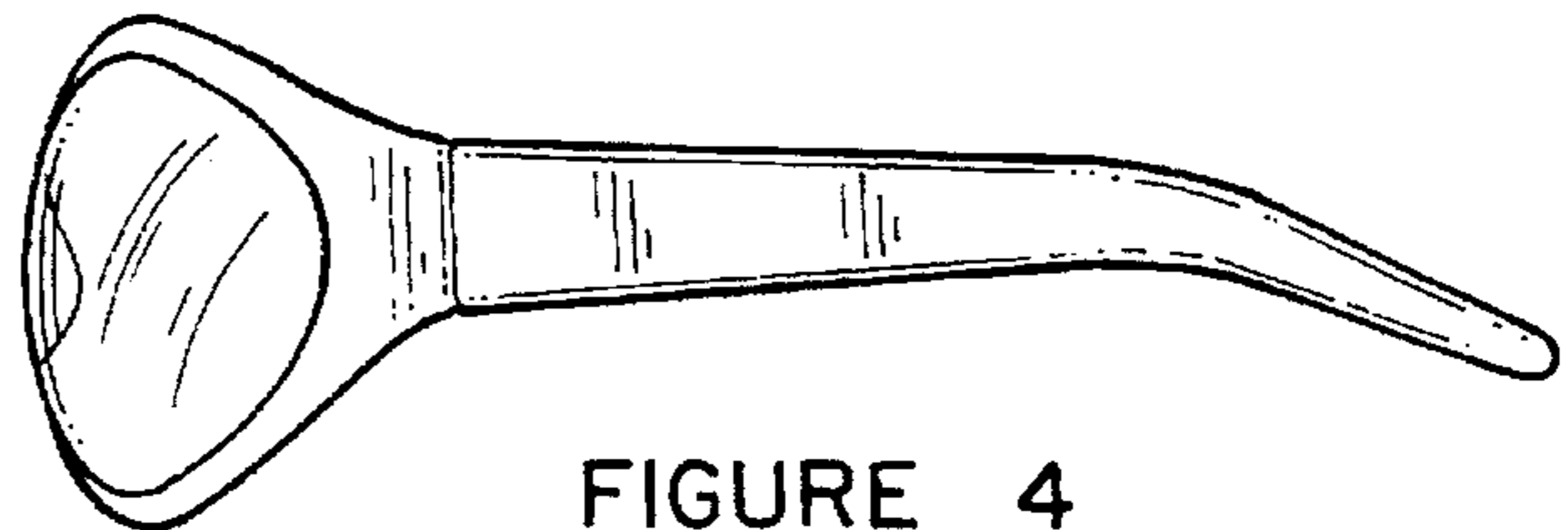


FIGURE 4

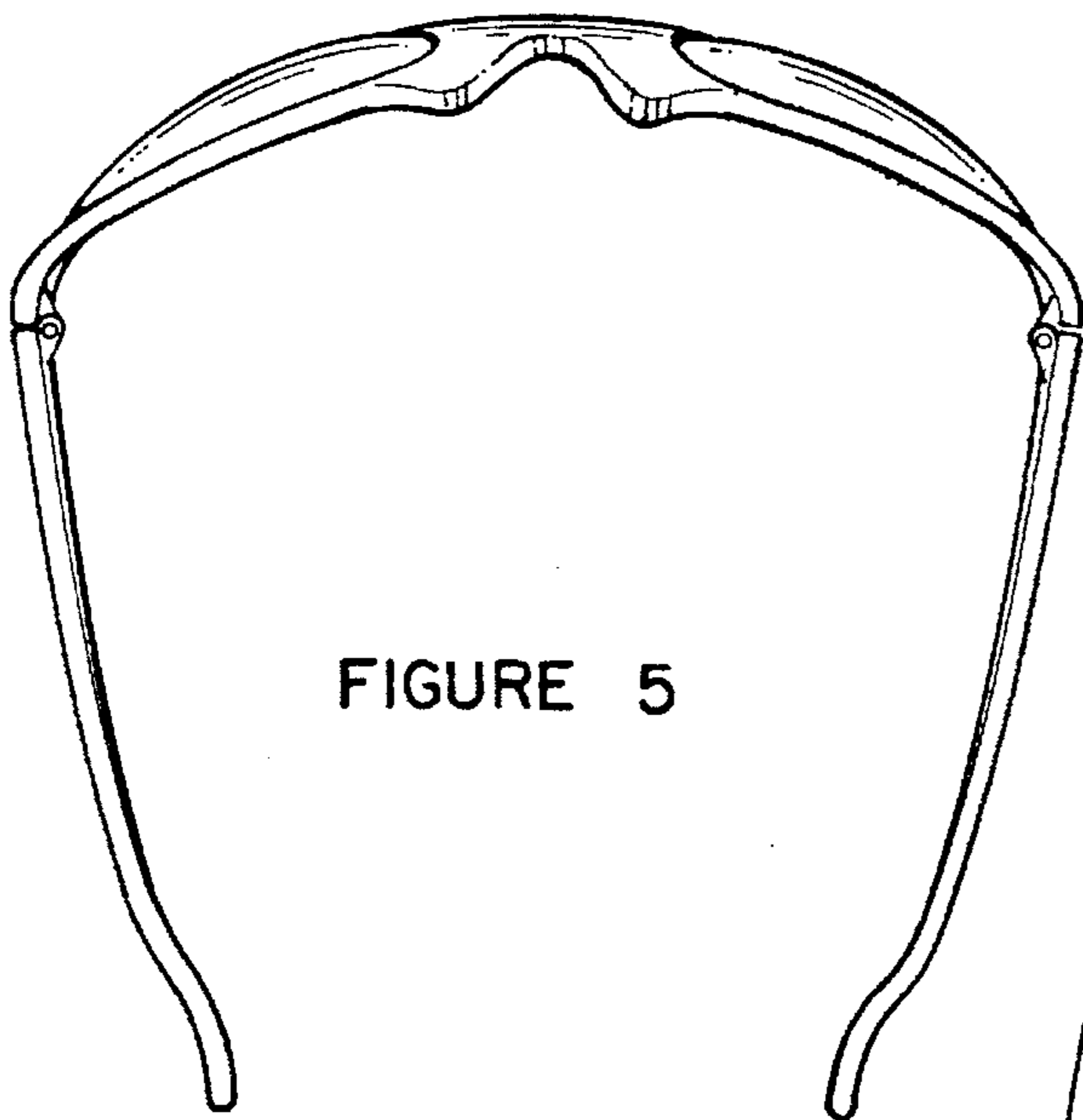


FIGURE 5

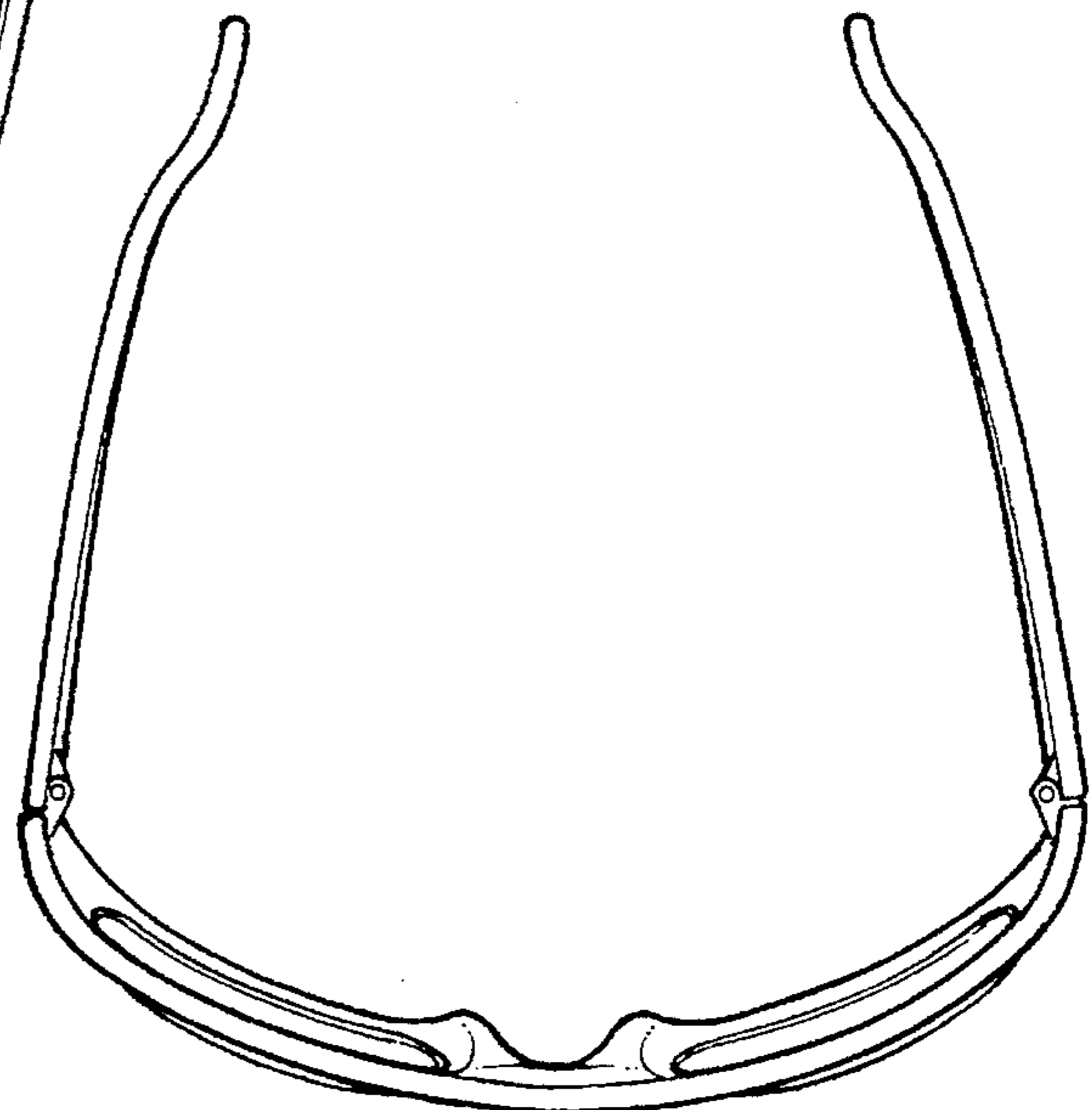


FIGURE 6