



US00D383475S

United States Patent [19]

Yamauchi et al.

[11] Patent Number: Des. 383,475

[45] Date of Patent: **Sep. 9, 1997

[54] VIDEO CAMERA

[75] Inventors: Toshiyuki Yamauchi; Yoshiki Miyamoto, both of Tokyo, Japan

[73] Assignee: Sony Corporation, Tokyo, Japan

[**] Term: 14 Years

[21] Appl. No.: 47,488

[22] Filed: Dec. 5, 1995

[51] LOC (6) Cl. 16-01

[52] U.S. Cl. D16/202

[58] Field of Search D16/200-206; 348/11-20, 373-376; 354/64, 82, 288; 358/906; 379/53

[56] References Cited

U.S. PATENT DOCUMENTS

D. 296,551	7/1988	Mizogui	D16/202
D. 357,929	5/1995	Pierce	D16/202
D. 367,488	2/1996	Takano et al.	D16/202
2,996,967	8/1961	Edgerton	354/64
5,374,952	12/1994	Flohr	348/12

Primary Examiner—Ted Shooman
Assistant Examiner—Adir Aronovich
Attorney, Agent, or Firm—Foley & Lardner

[57] CLAIM

The ornamental design for a video camera, as shown and described.

DESCRIPTION

FIG. 1 is a perspective view of a first embodiment of the video camera showing my new design;

FIG. 2 is a perspective view thereof, the camera being an alternate position with a fragmentary cable attached. The cable shown in broken lines is for illustrative purpose only and forms no part of the claimed design.

FIG. 3 is a top plan view thereof;

FIG. 4 is a left side elevational view thereof;

FIG. 5 is a front elevational view thereof;

FIG. 6 is a bottom plan view thereof;

FIG. 7 is a right side elevational view thereof;

FIG. 8 is a rear elevational view thereof;

FIG. 9 is a perspective view of a second embodiment of the video camera showing my new design;

FIG. 10 is a top plan view of the second embodiment of FIG. 9;

FIG. 11 is a left side elevational view of the second embodiment of FIG. 9;

FIG. 12 is a front elevational view of the second embodiment of FIG. 9;

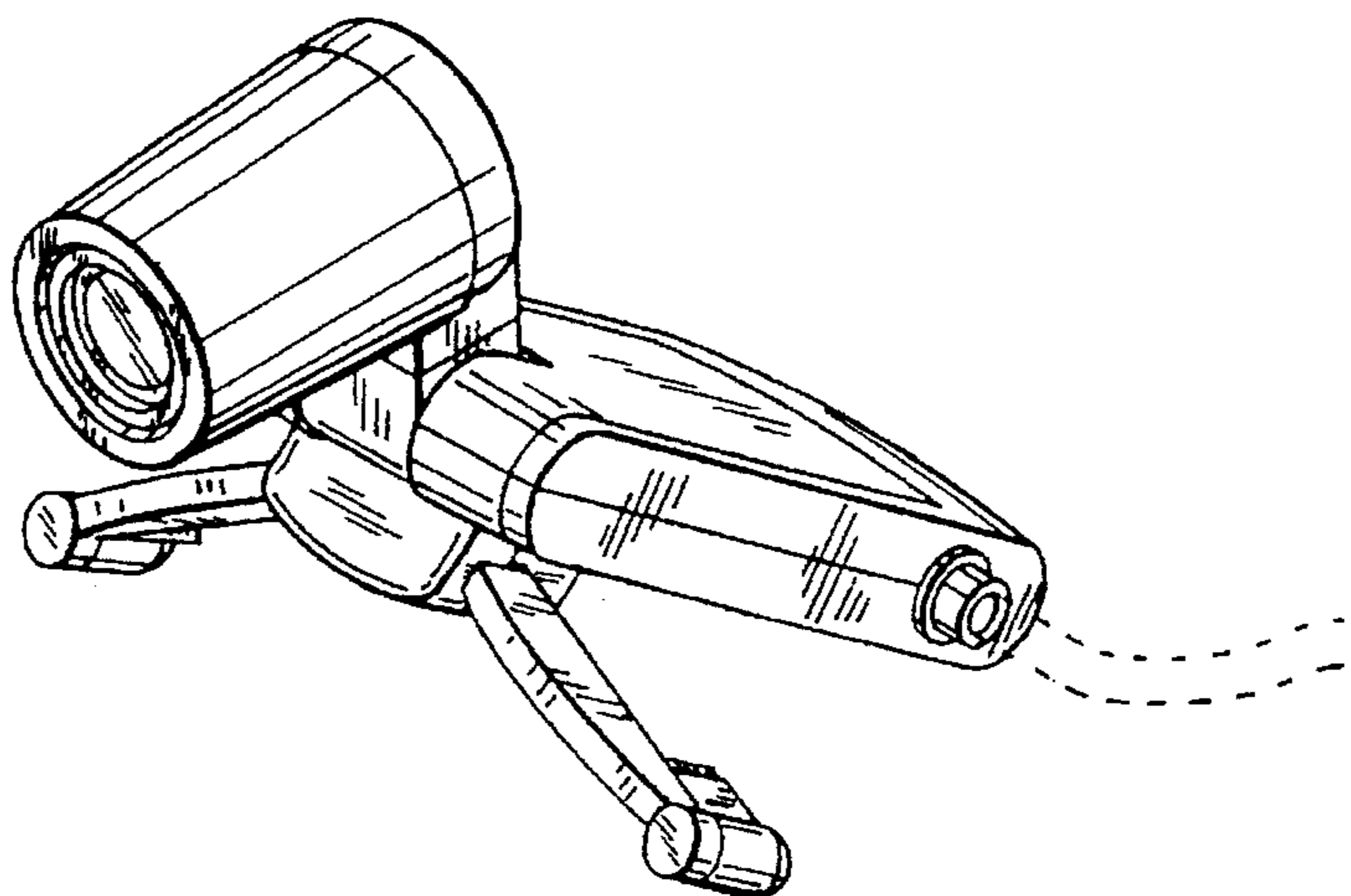
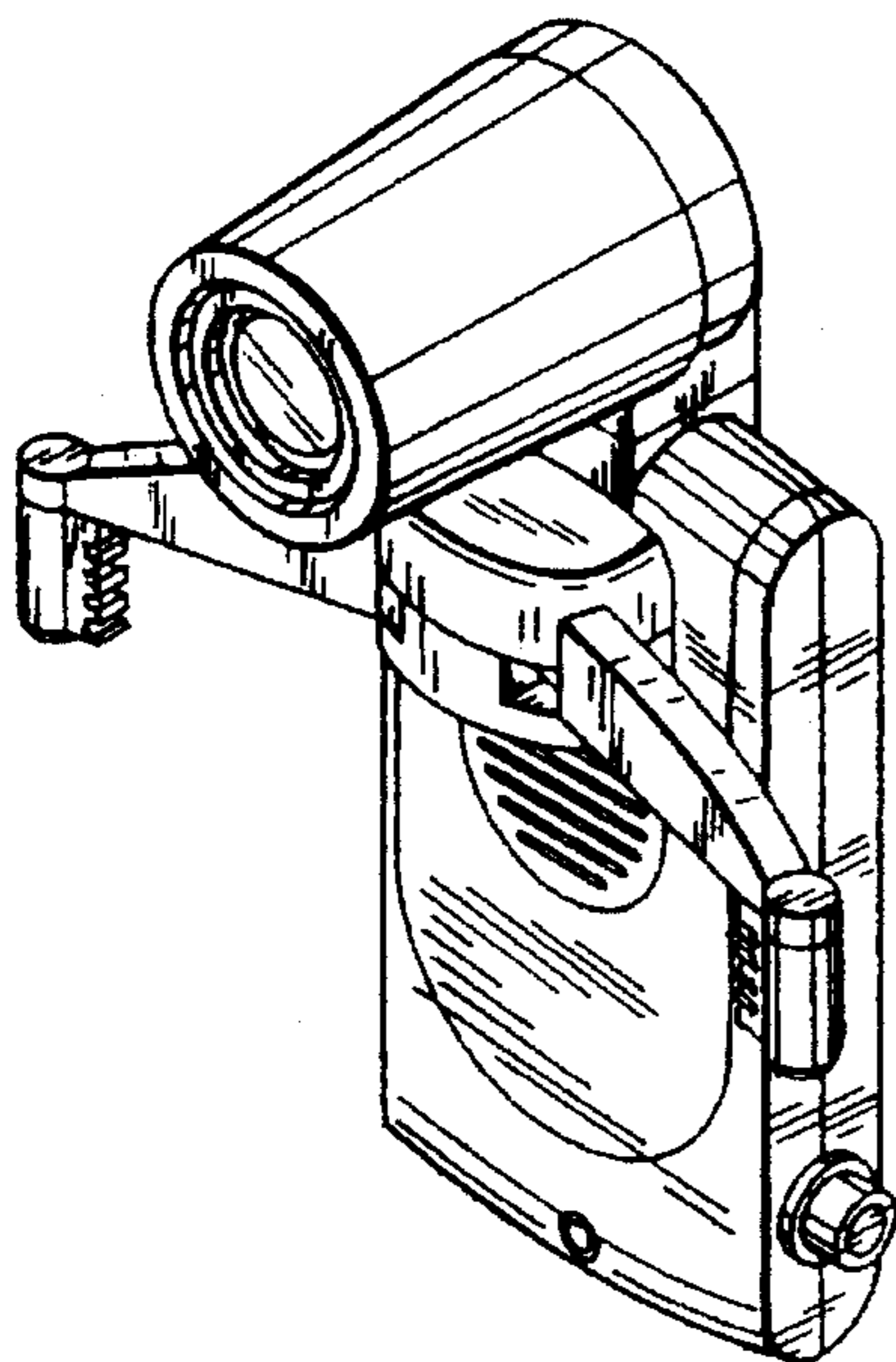
FIG. 13 is a bottom plan view of the second embodiment of FIG. 9;

FIG. 14 is a right side elevational view of the second embodiment of FIG. 9;

FIG. 15 is a rear elevational view of the second embodiment of FIG. 9; and,

FIG. 16 is a fragmentary perspective view of the video camera placed on a fragmentary portion of a monitor shown in broken lines for illustrative purposes only and forms no part of the claimed design.

1 Claim, 6 Drawing Sheets



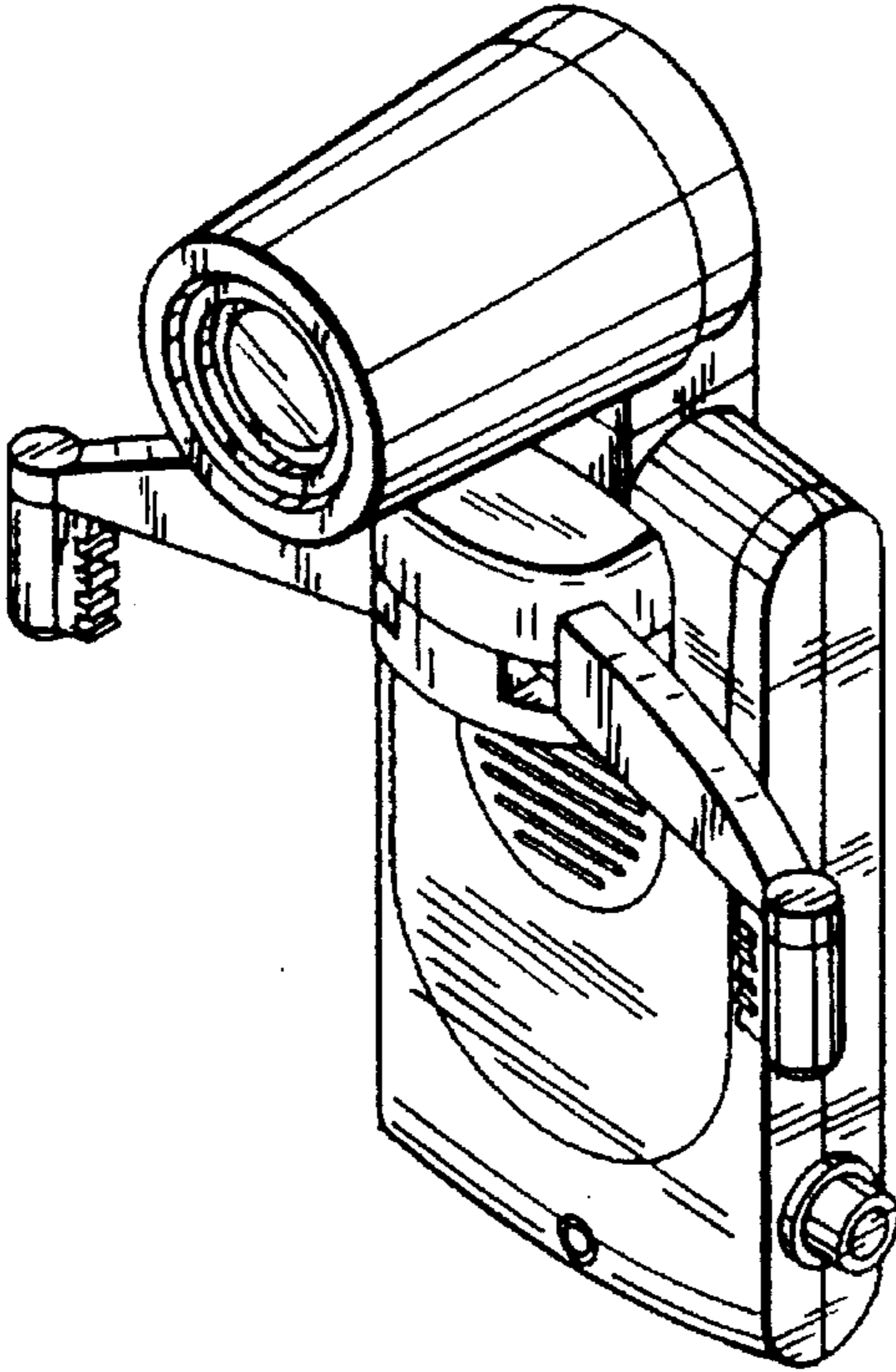


FIG. 1

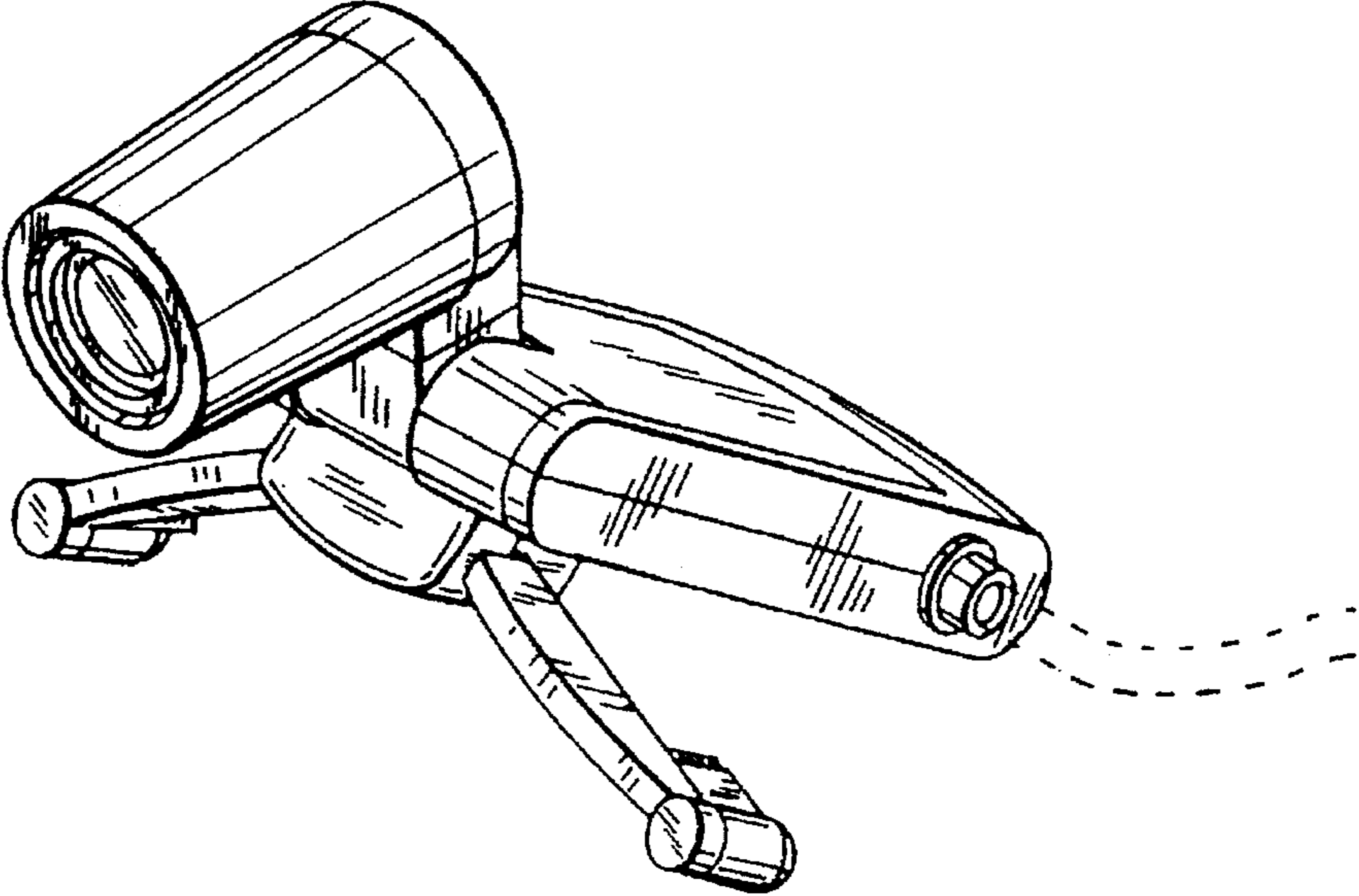


FIG. 2

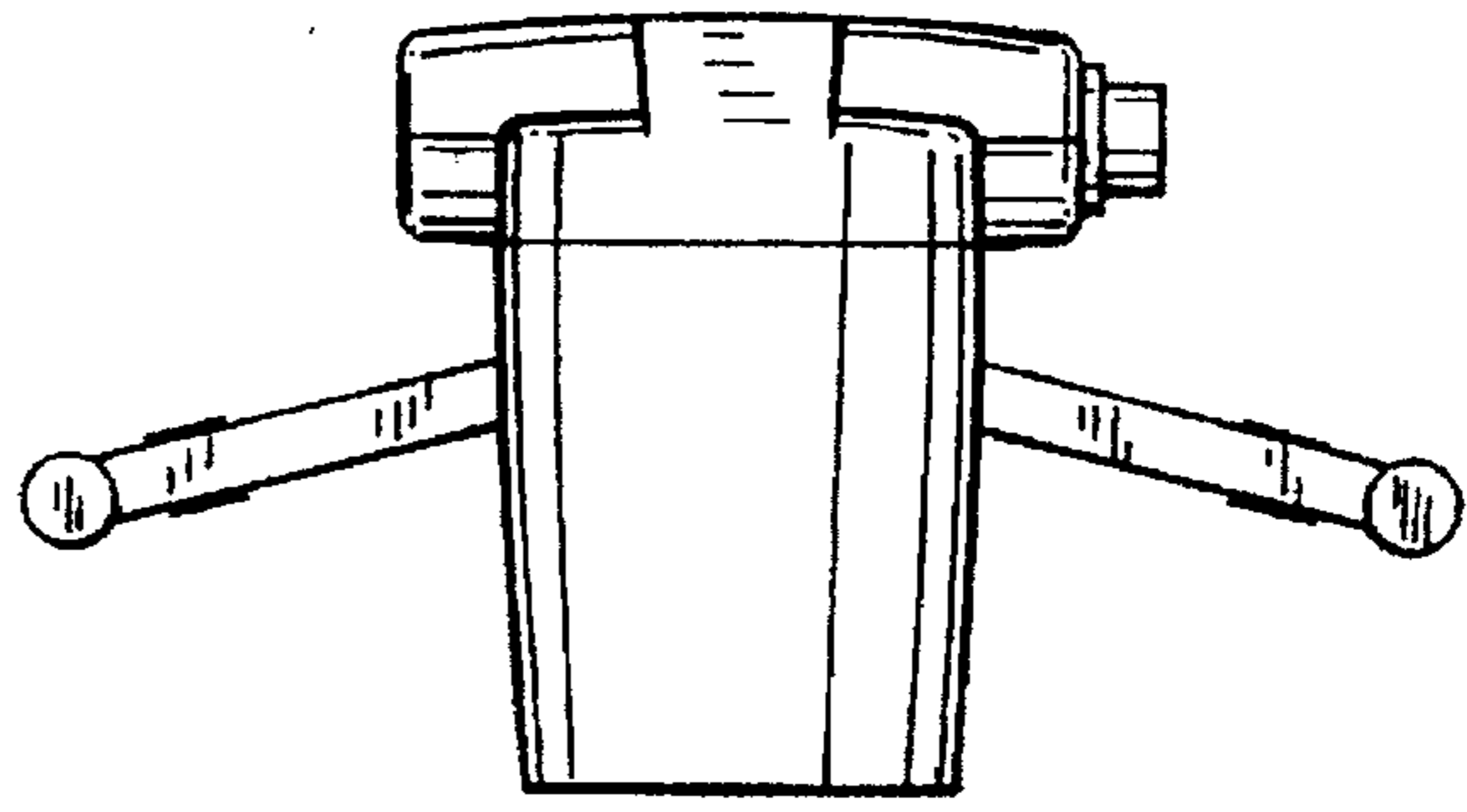


FIG. 3

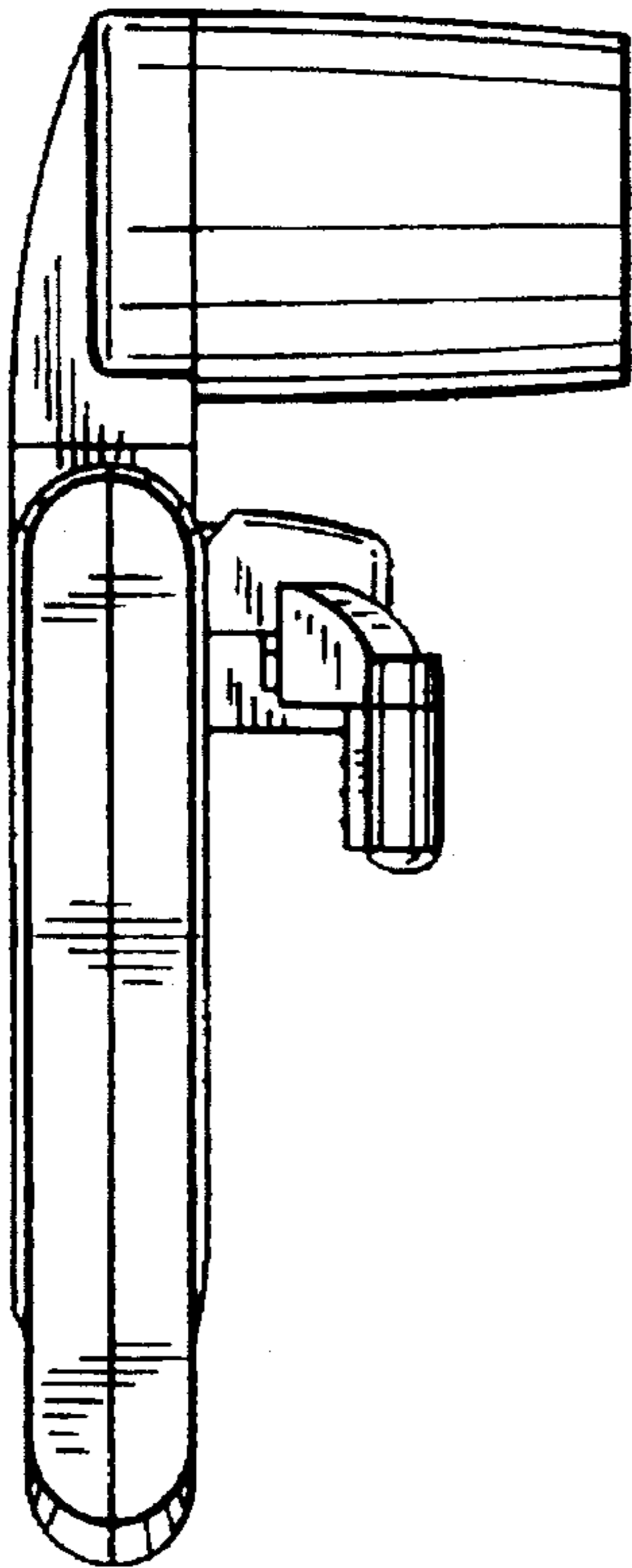


FIG. 4

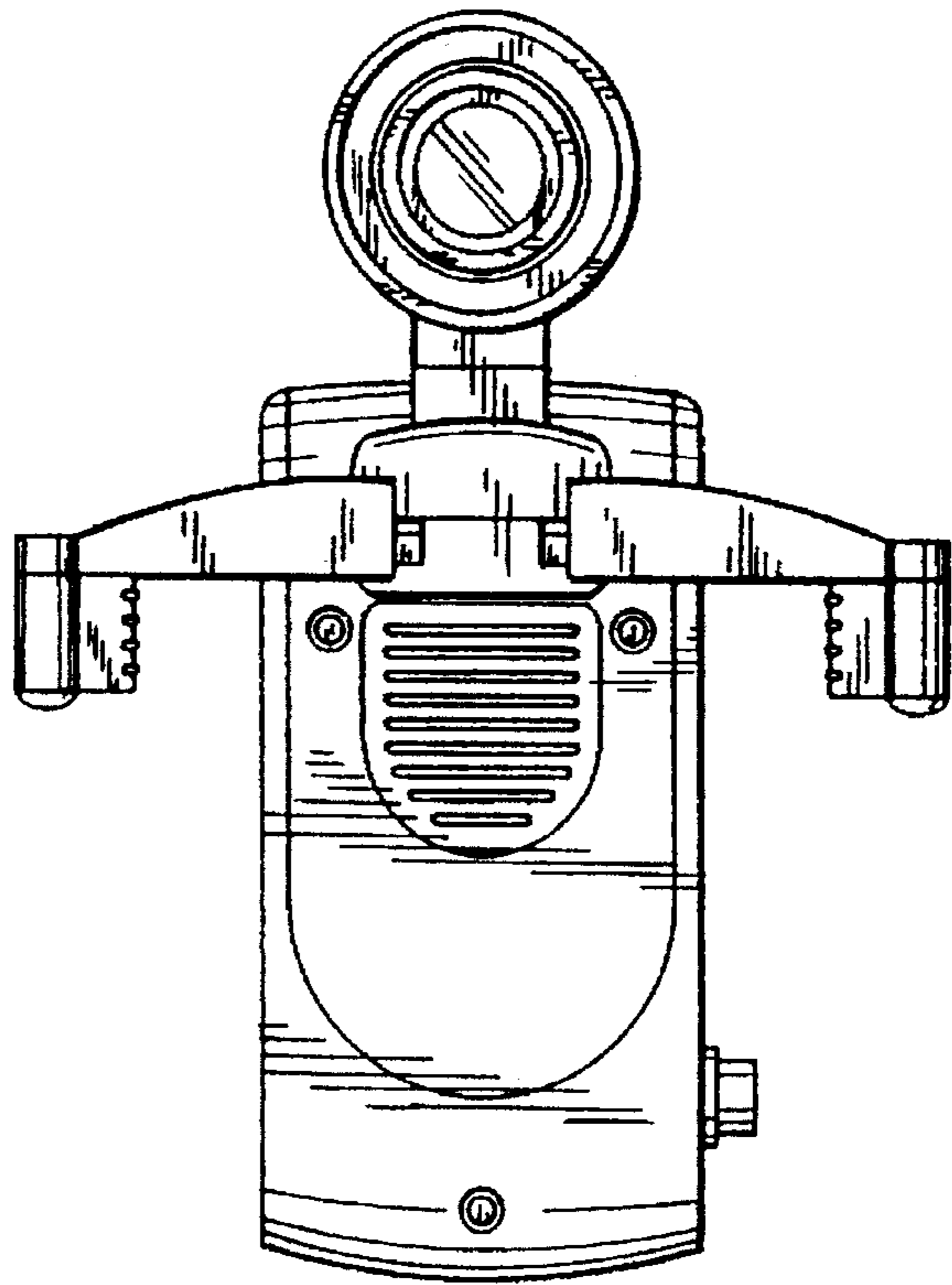


FIG. 5

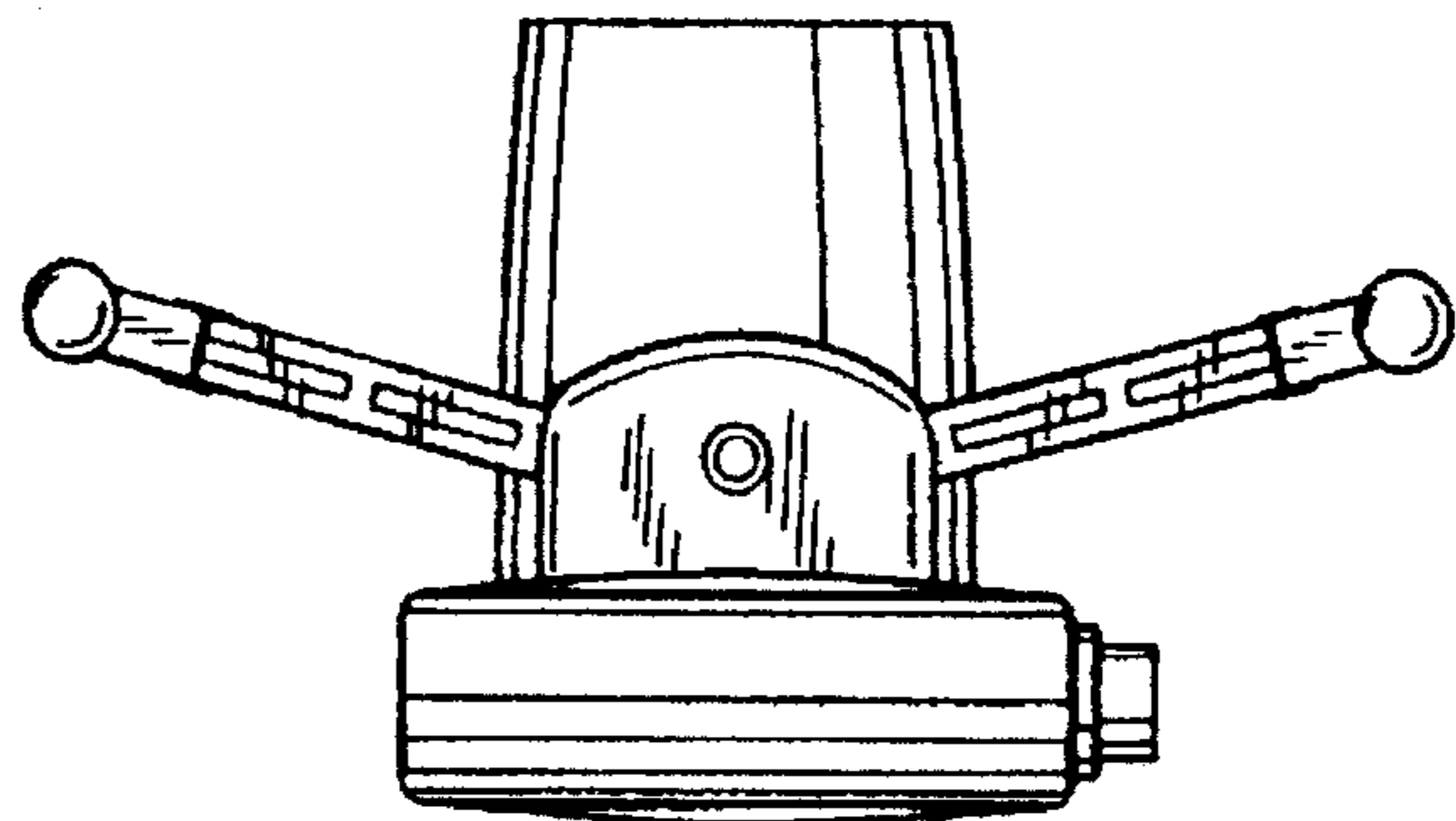


FIG. 6

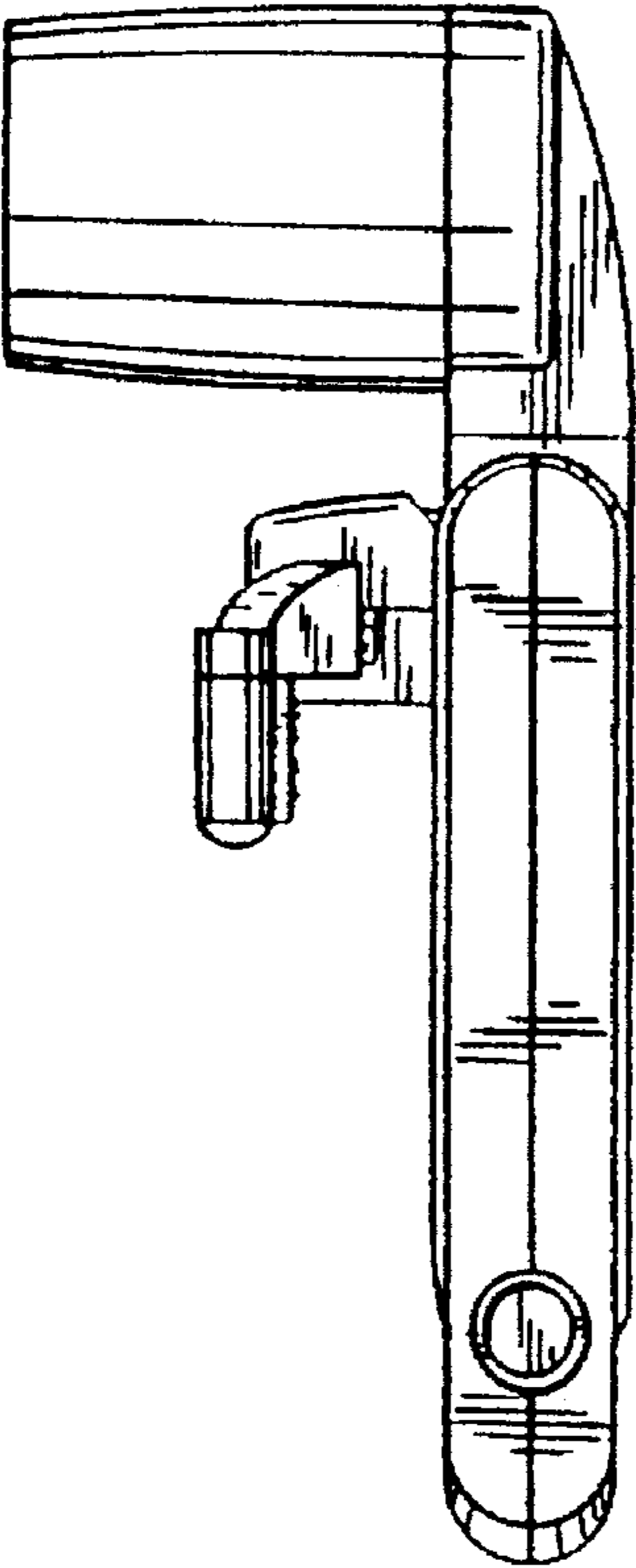


FIG. 7

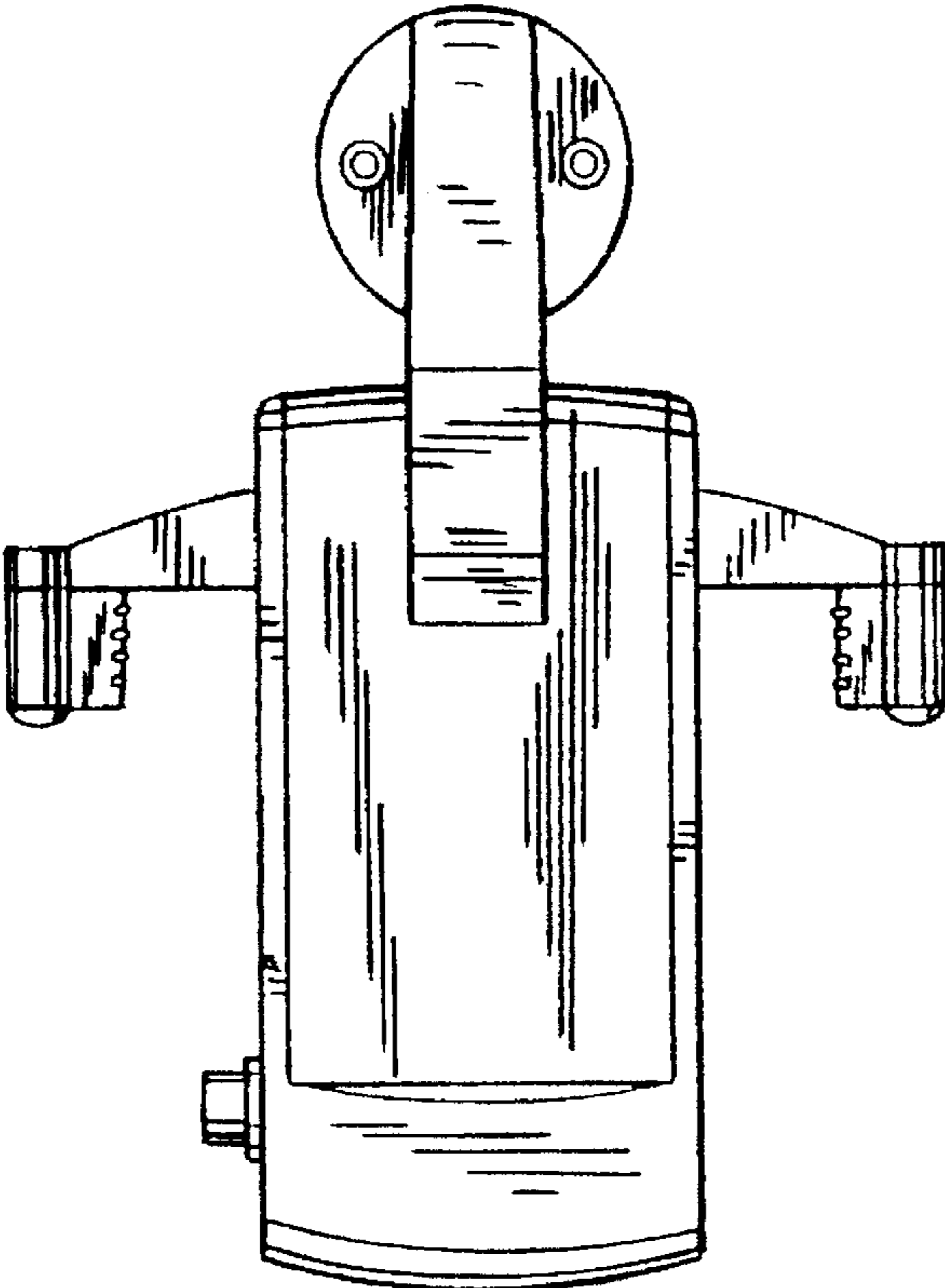


FIG. 8

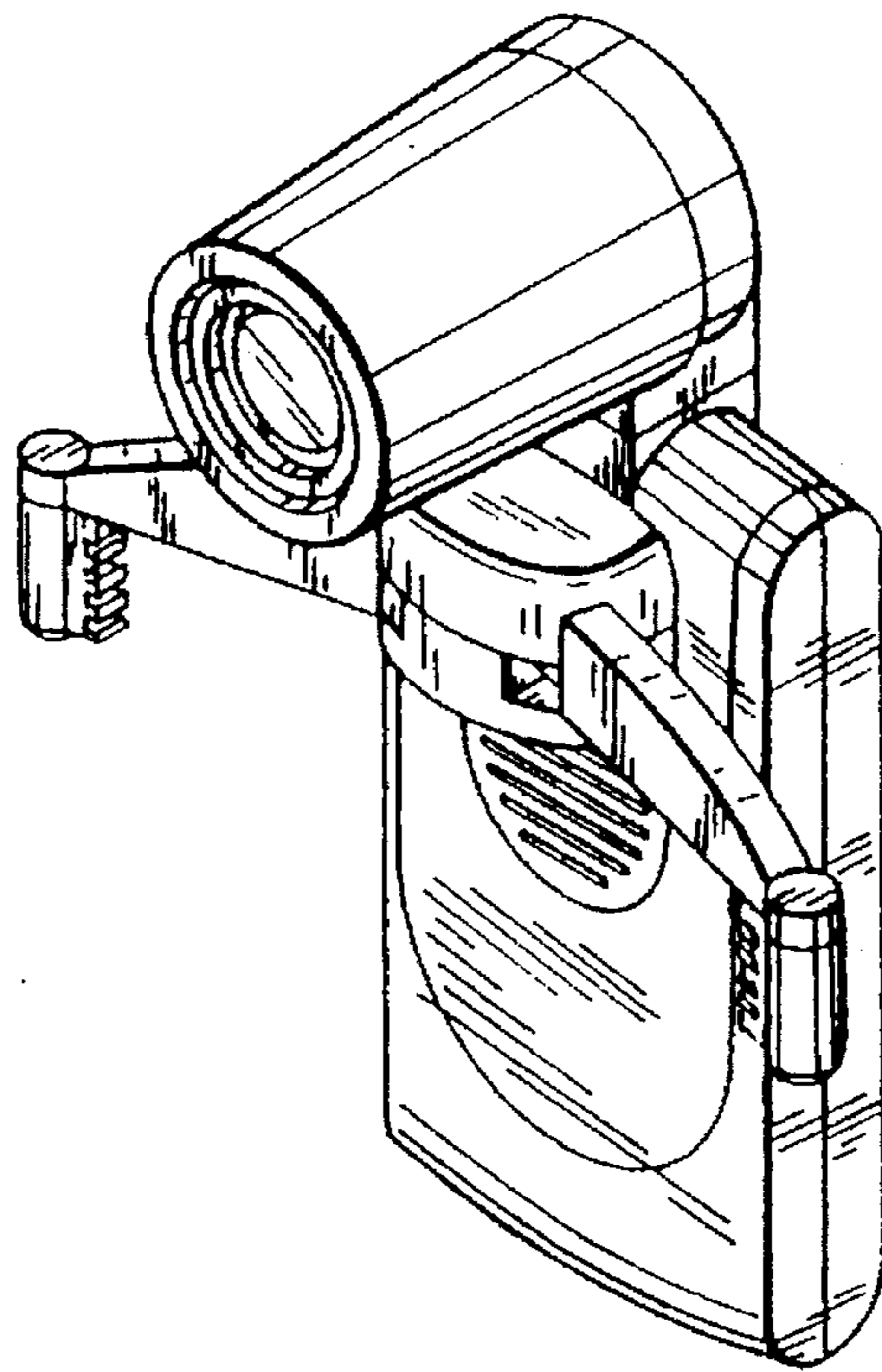


FIG. 9

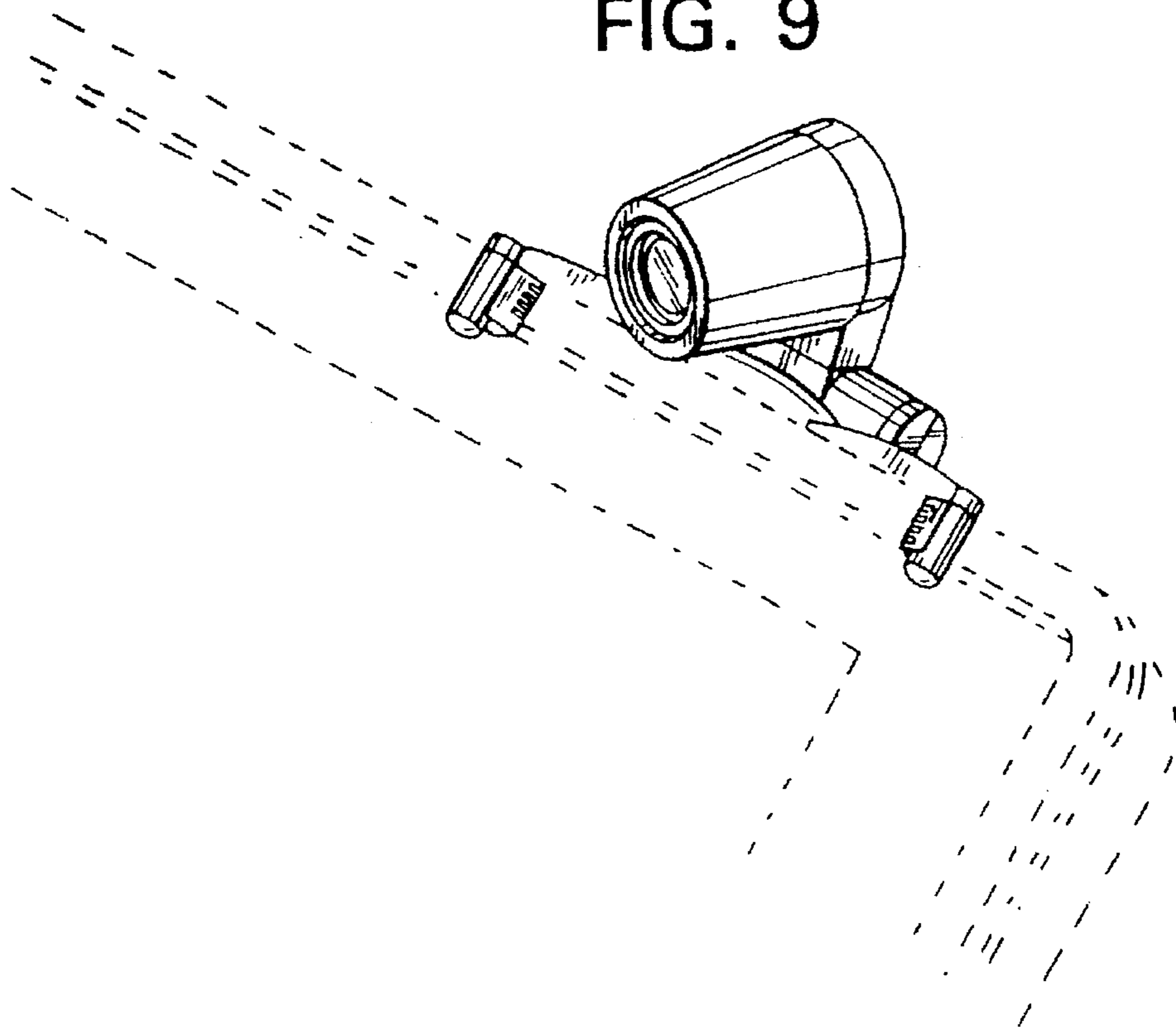


FIG. 16

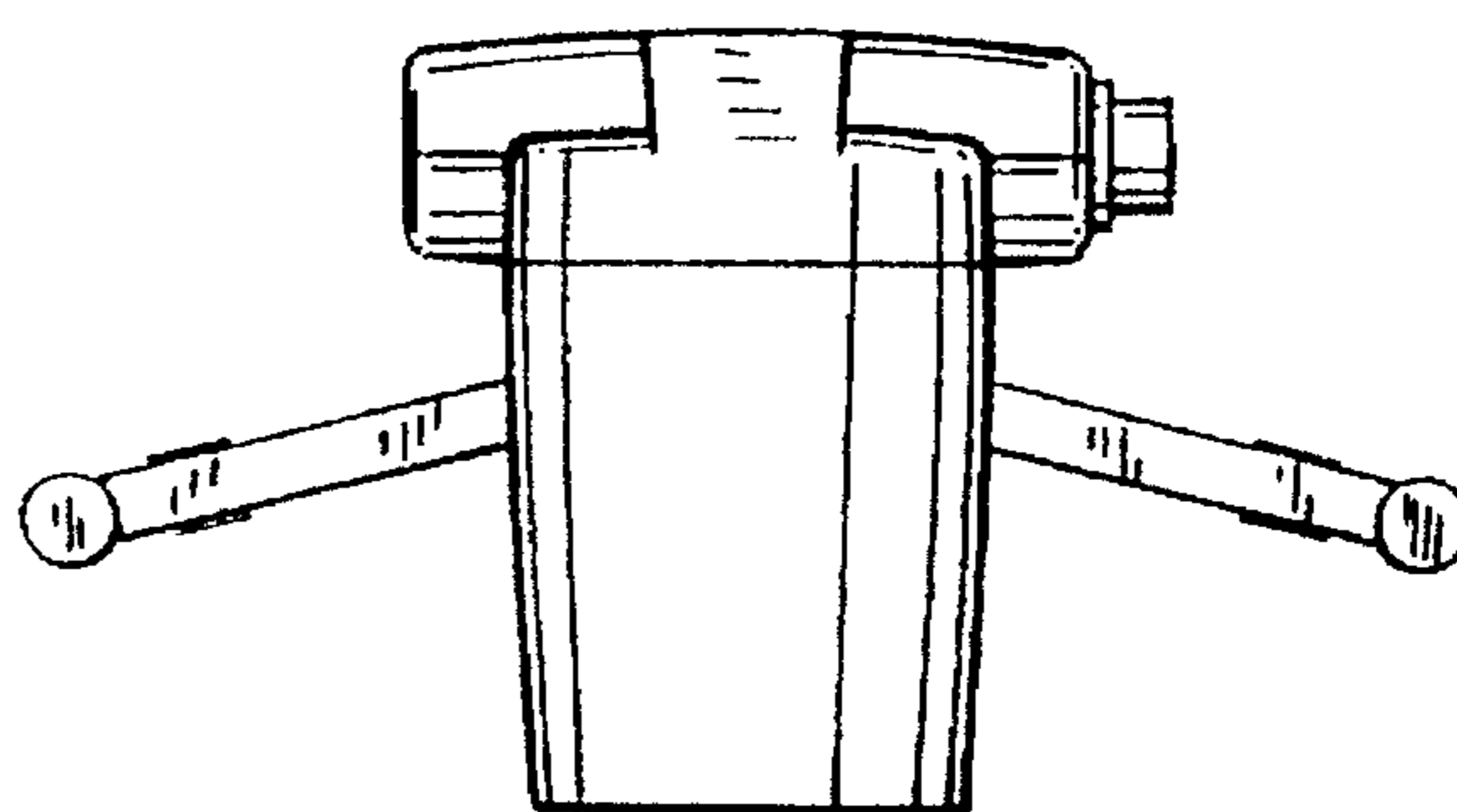


FIG. 10

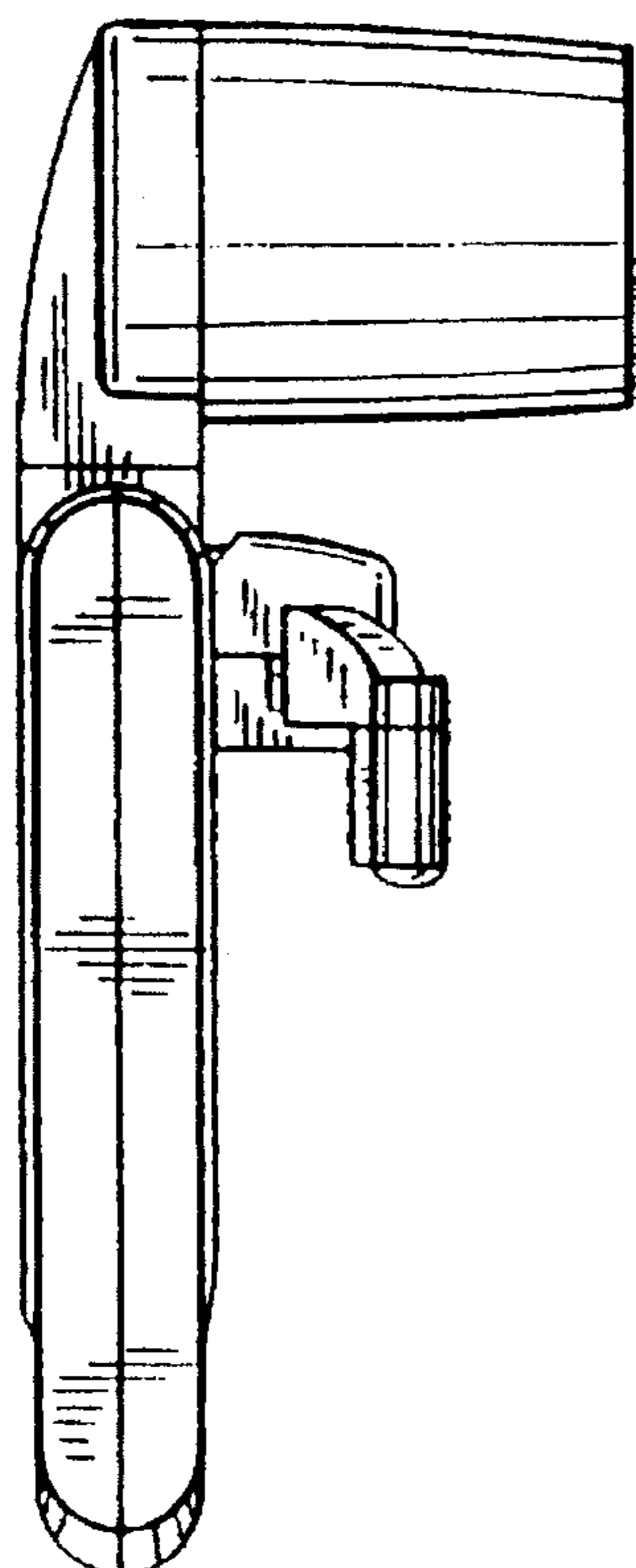


FIG. 11

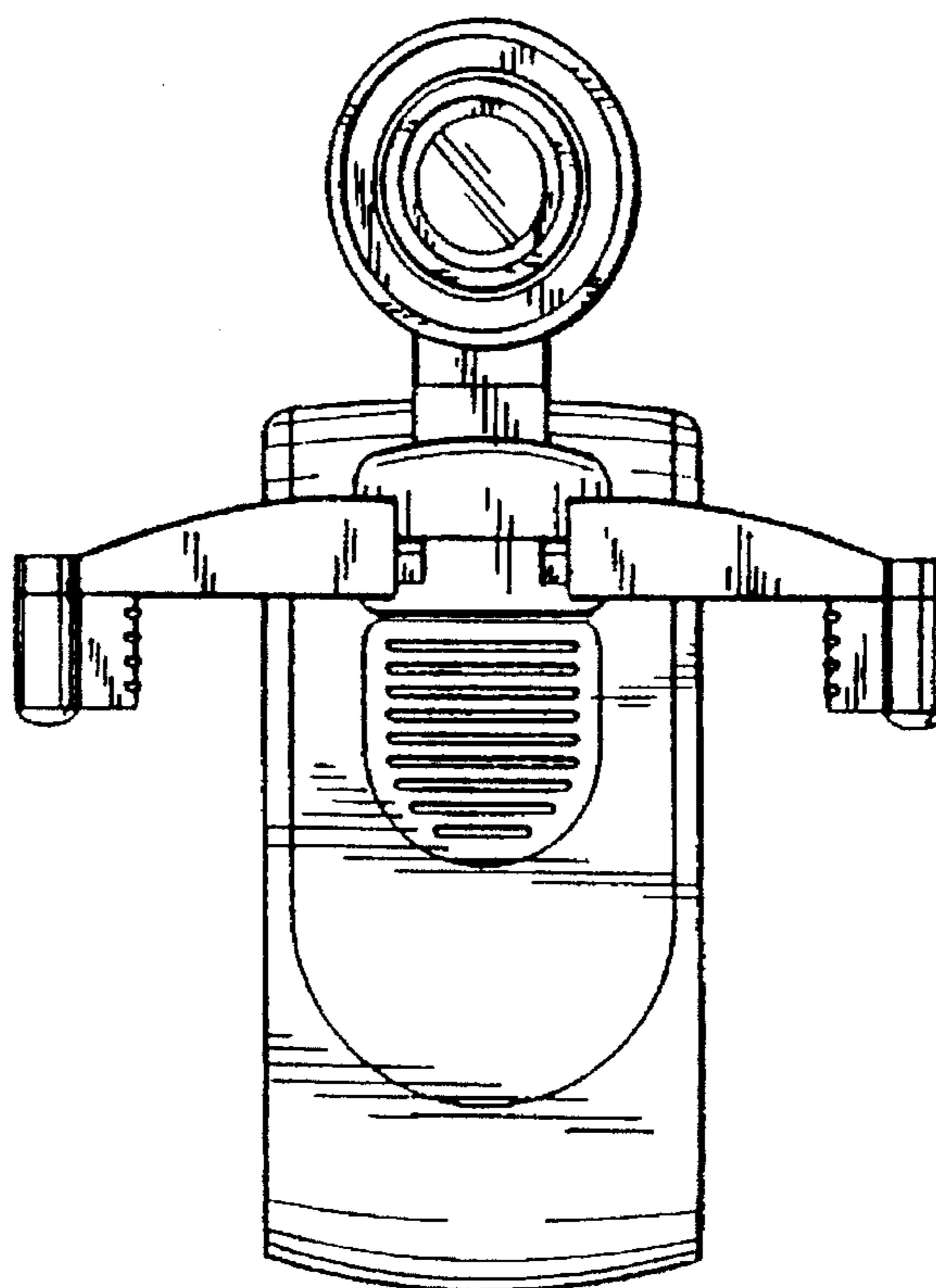


FIG. 12

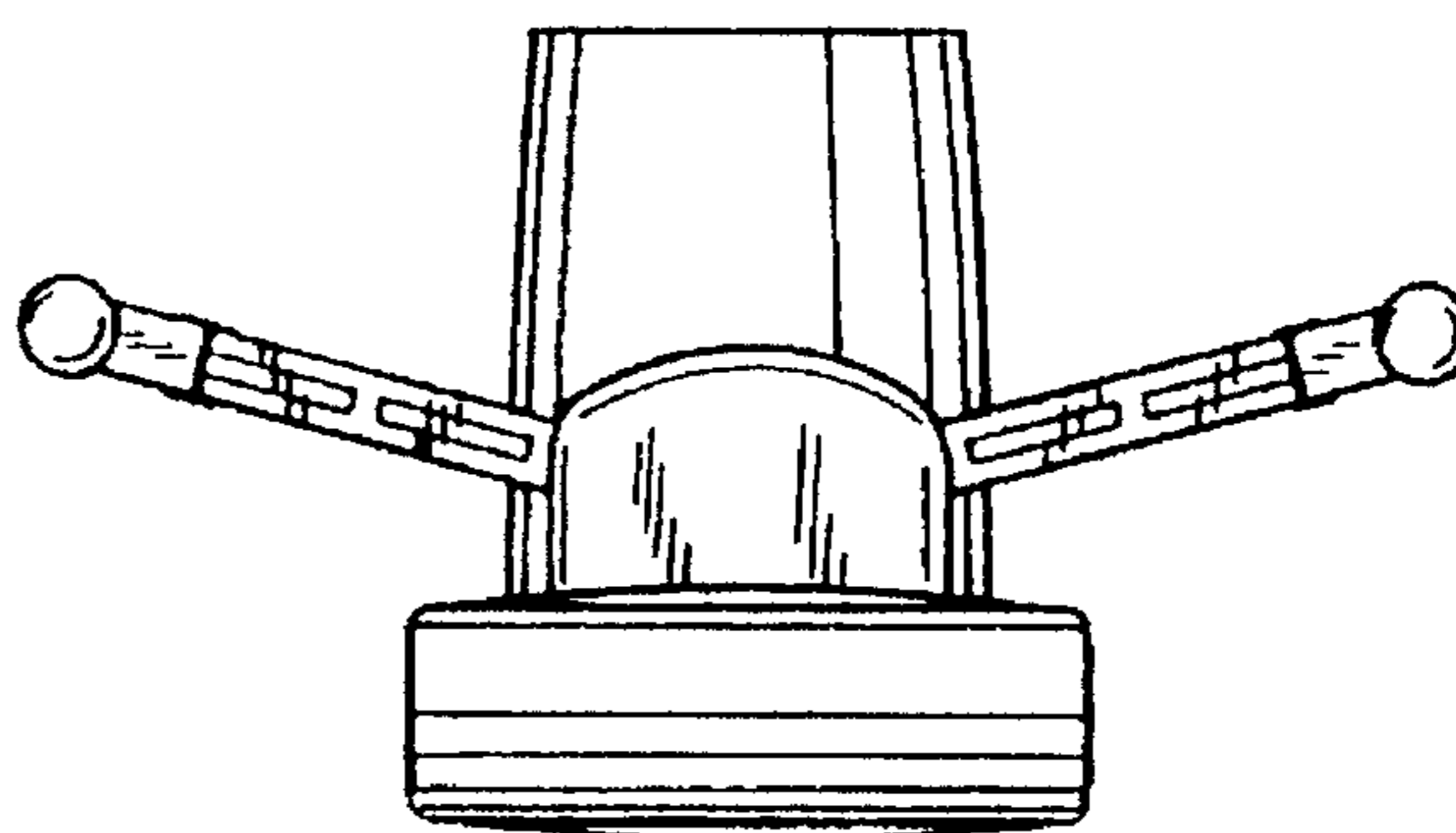


FIG. 13

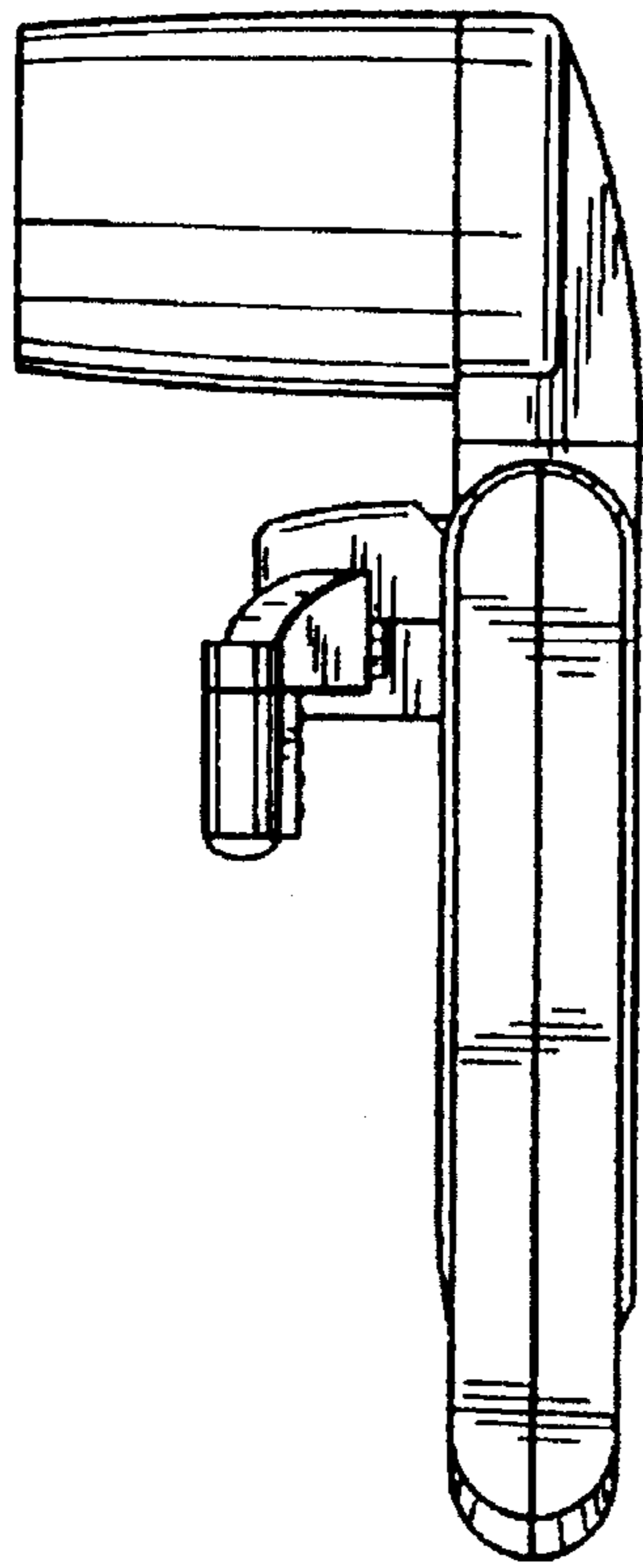


FIG. 14

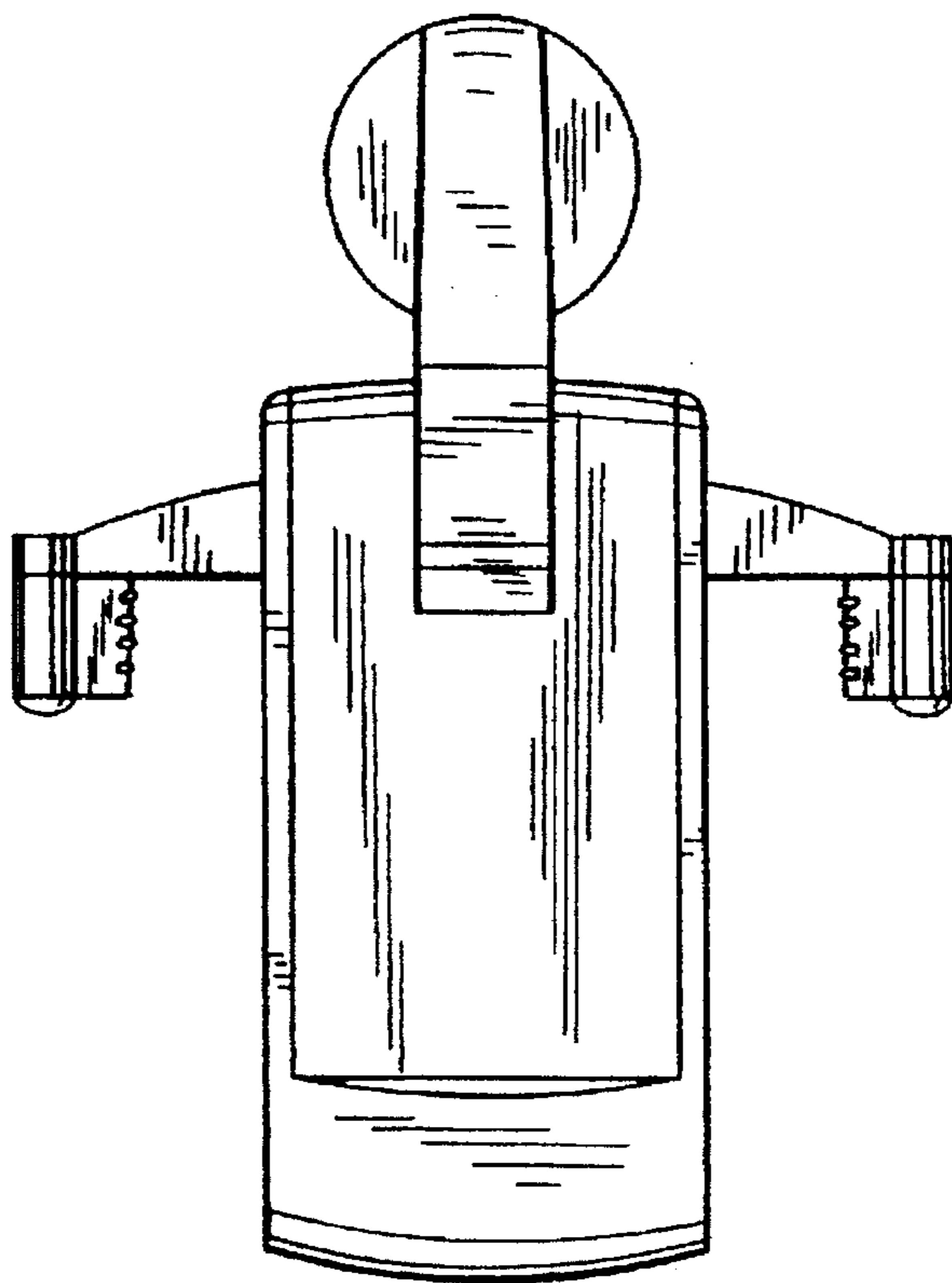


FIG. 15