

US00D383472S

United States Patent [19]

Higuchi et al.

[11] Patent Number: **Des. 383,472**

[45] Date of Patent: ****Sep. 9, 1997**

[54] MITER SAW

5,207,141 5/1993 Dehari 83/471:3
5,524,516 6/1996 Sasaki et al. 83/471.3

[75] Inventors: **Hisashi Higuchi; Kouji Matsubara,**
both of Anjo, Japan

Primary Examiner—Antoine Duval Davis
Attorney, Agent, or Firm—Dennison, Meserole, Pollack &
Scheiner

[73] Assignee: **Makita Corporation,** Aichi-ken, Japan

[**] Term: **14 Years**

[57] CLAIM

[21] Appl. No.: **56,348**

The ornamental design for a miter saw, as shown and
decribed.

[22] Filed: **Jun. 27, 1996**

DESCRIPTION

[51] LOC (6) Cl. **15-09**

[52] U.S. Cl. **D15/133**

[58] Field of Search D15/133; 83/397,
83/471.1, 471.2, 471.3

FIG. 1 is a perspective view of a miter saw showing our new
design;

FIG. 2 is a front elevational view thereof;

FIG. 3 is a rear elevational view thereof;

FIG. 4 is a left side elevational view thereof;

FIG. 5 is a right side elevational view thereof;

FIG. 6 is a top plan view thereof; and,

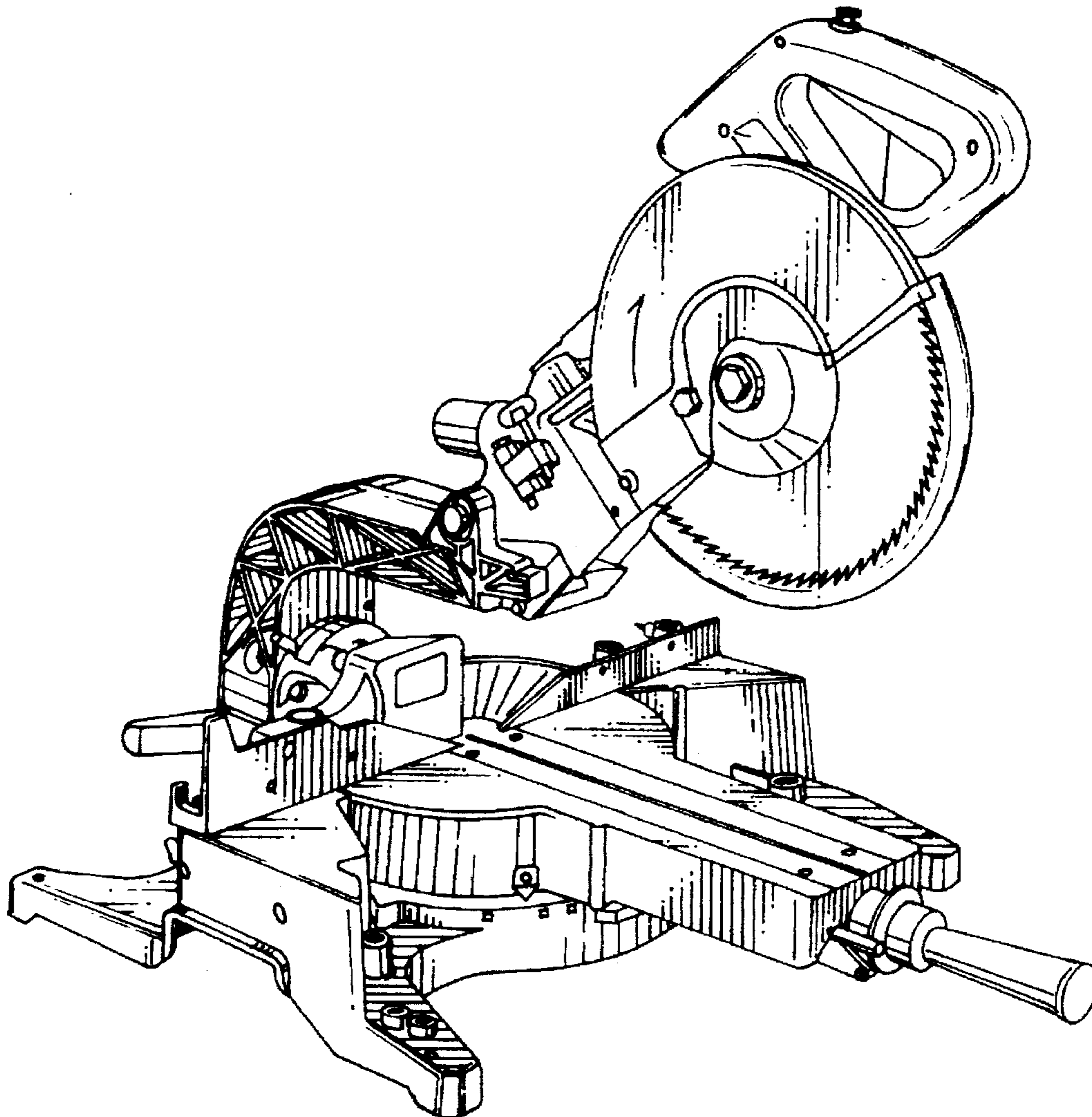
FIG. 7 is a bottom plan view thereof.

[56] References Cited

U.S. PATENT DOCUMENTS

D. 331,416 12/1992 Fushiya et al. .
5,060,548 10/1991 Sato et al. 83/471.3
5,146,825 9/1992 Dehari 83/397

1 Claim, 4 Drawing Sheets



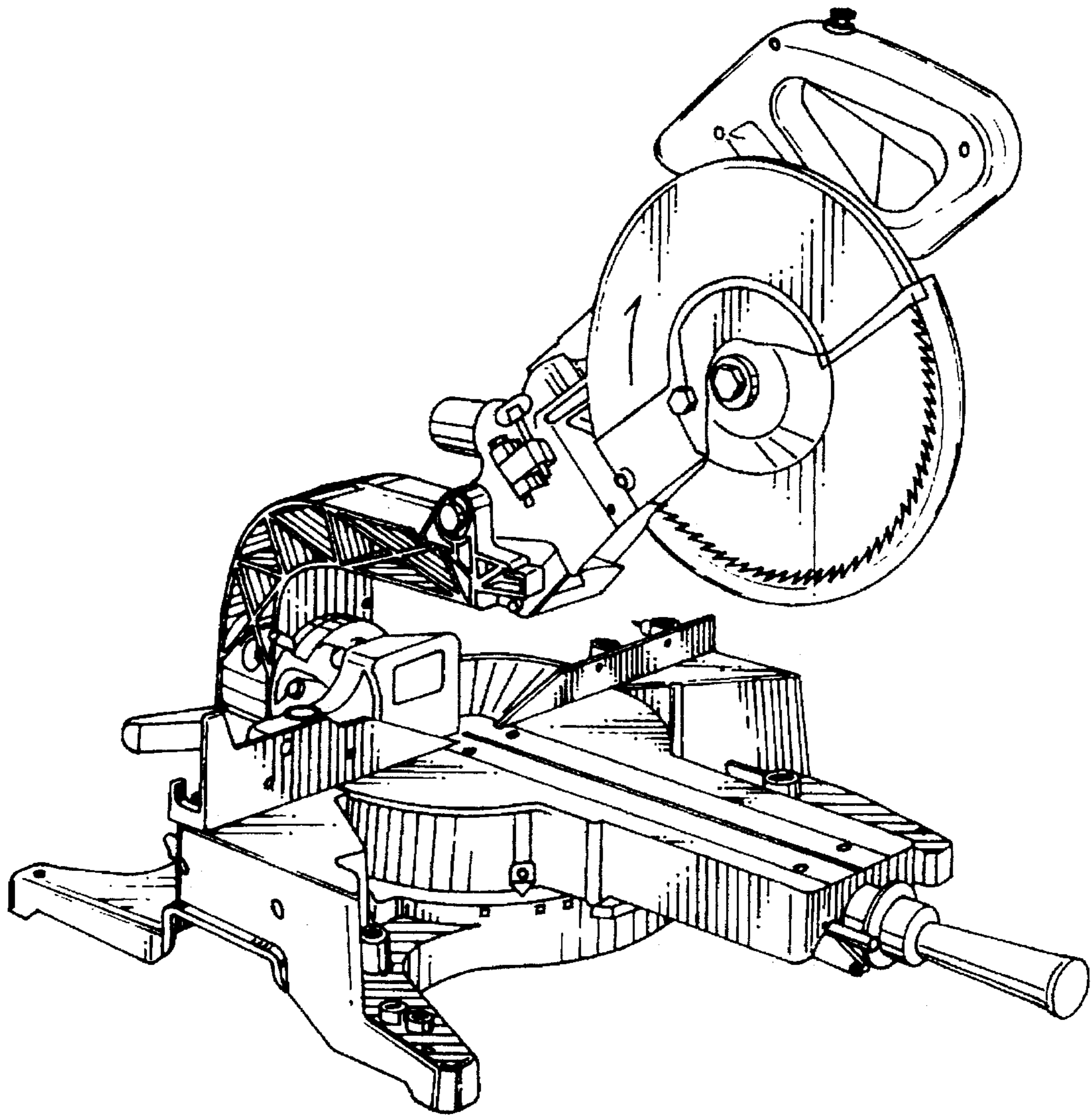


FIG. 1

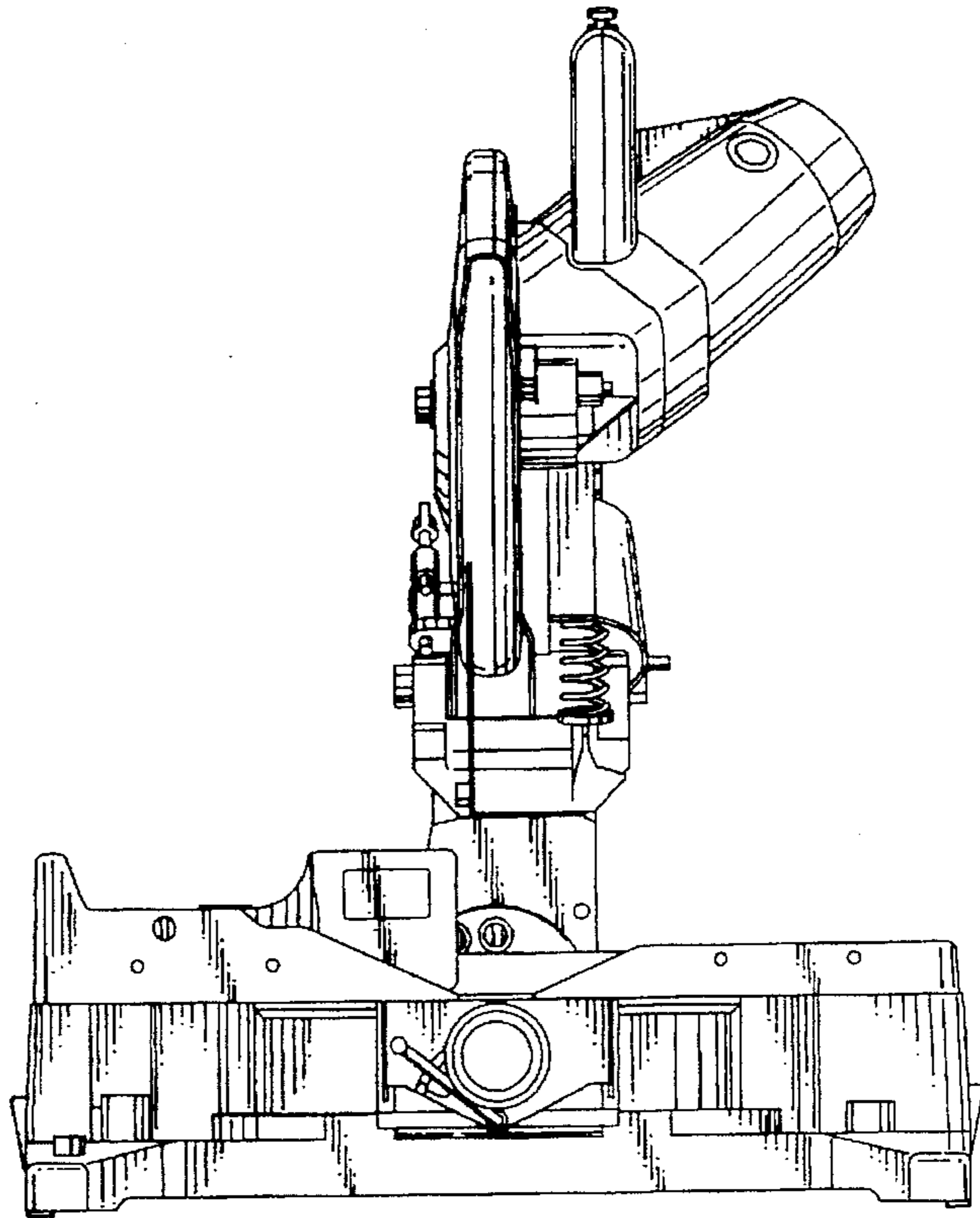


FIG. 2

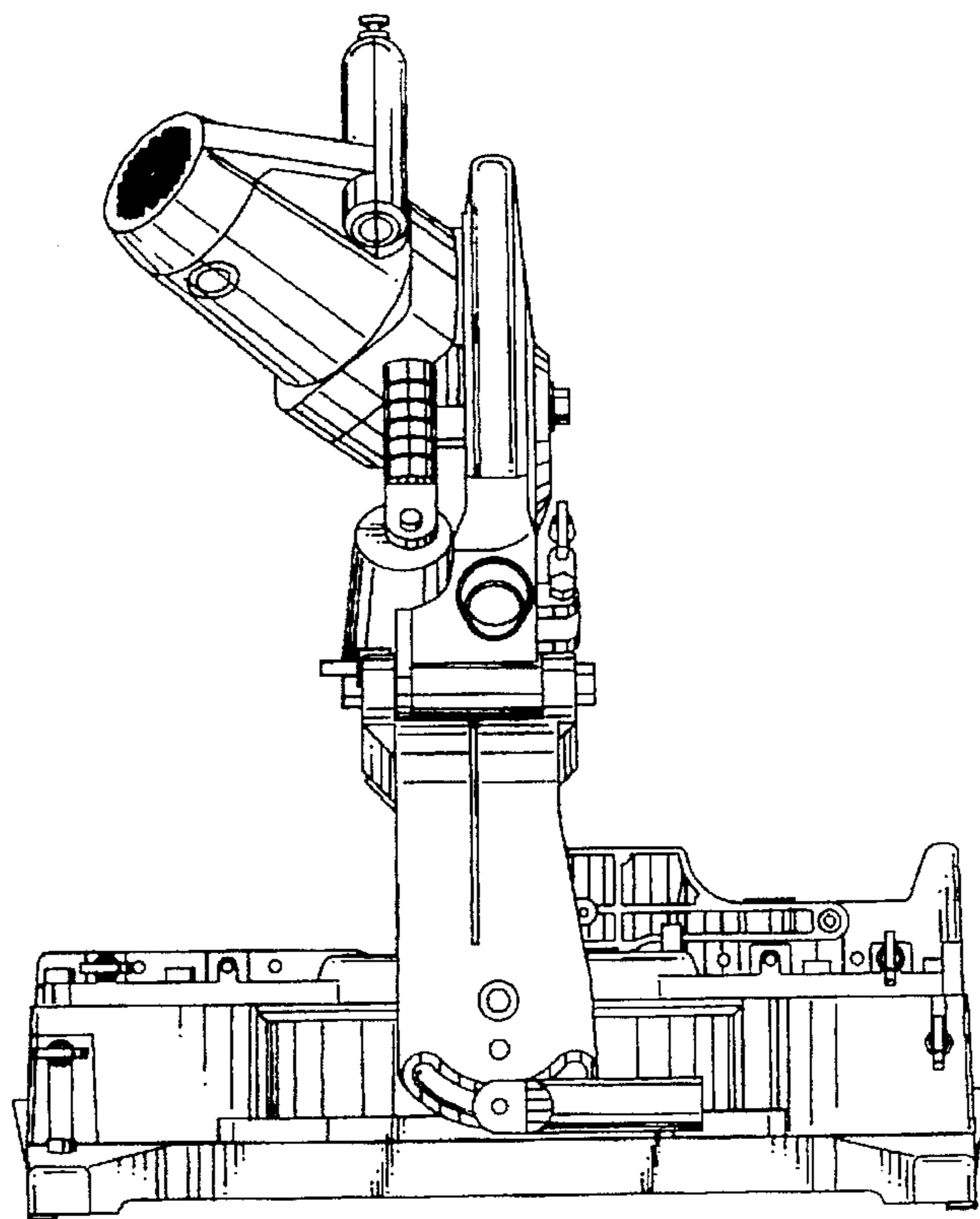


FIG. 3

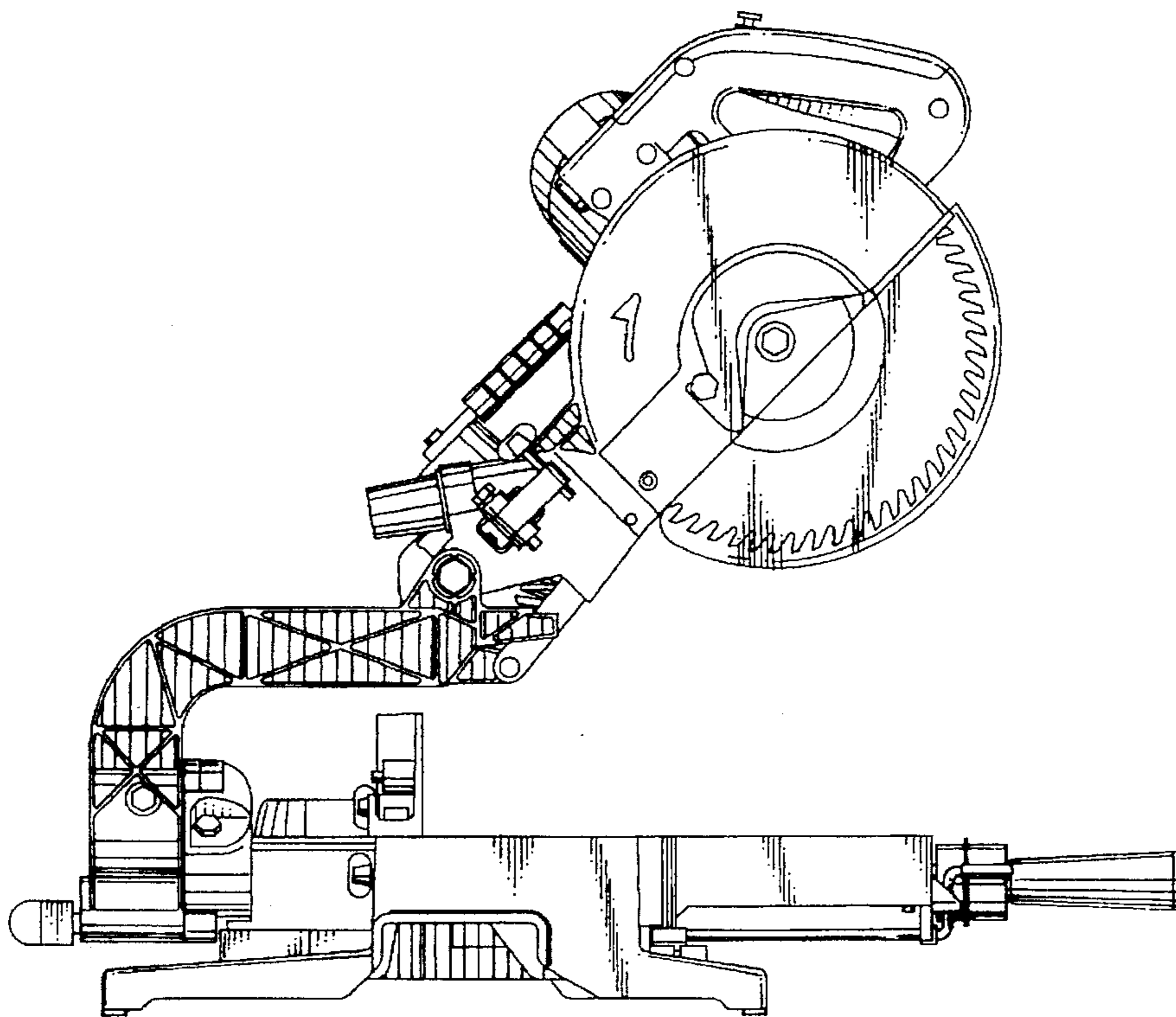


FIG. 4

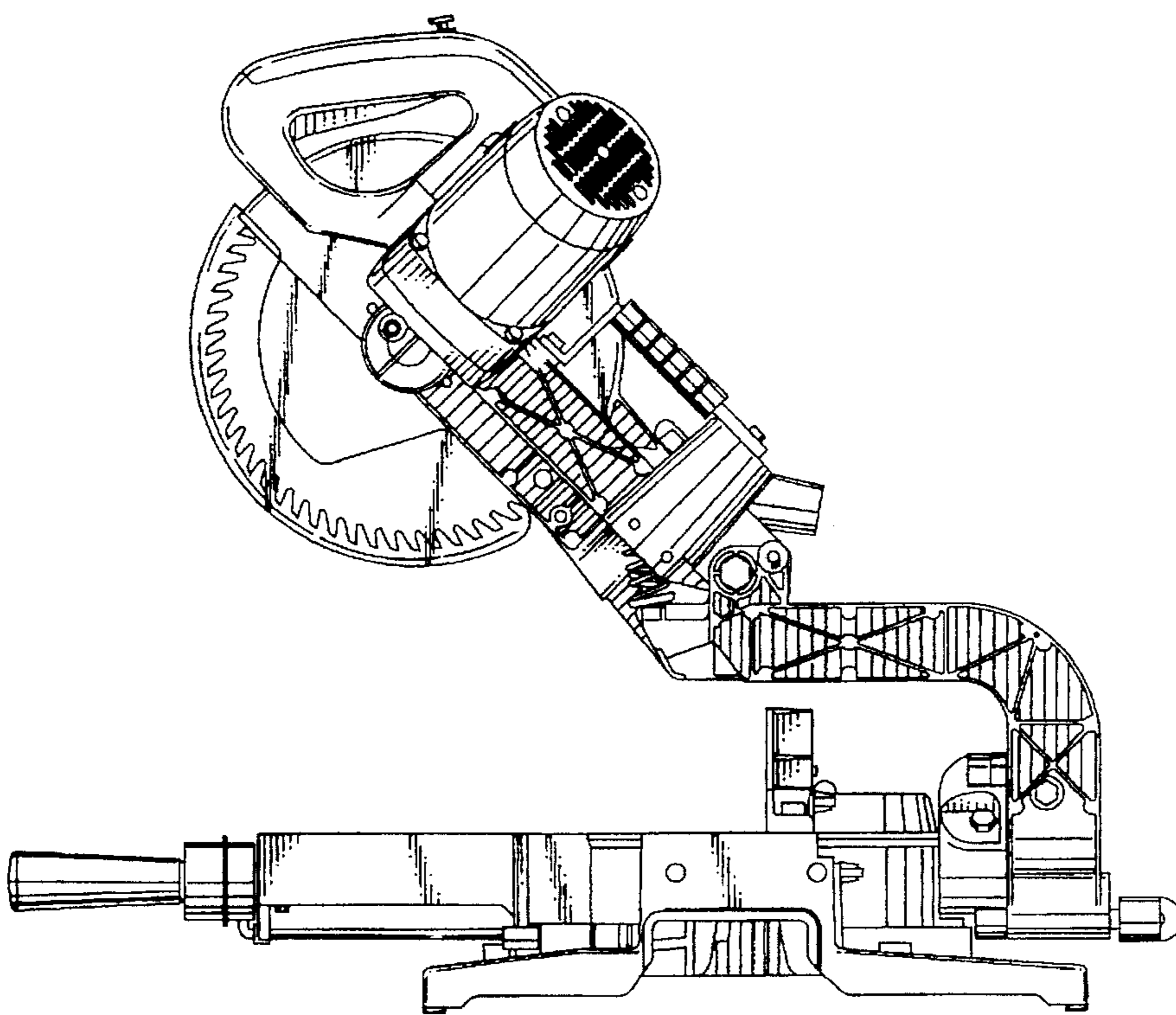


FIG. 5

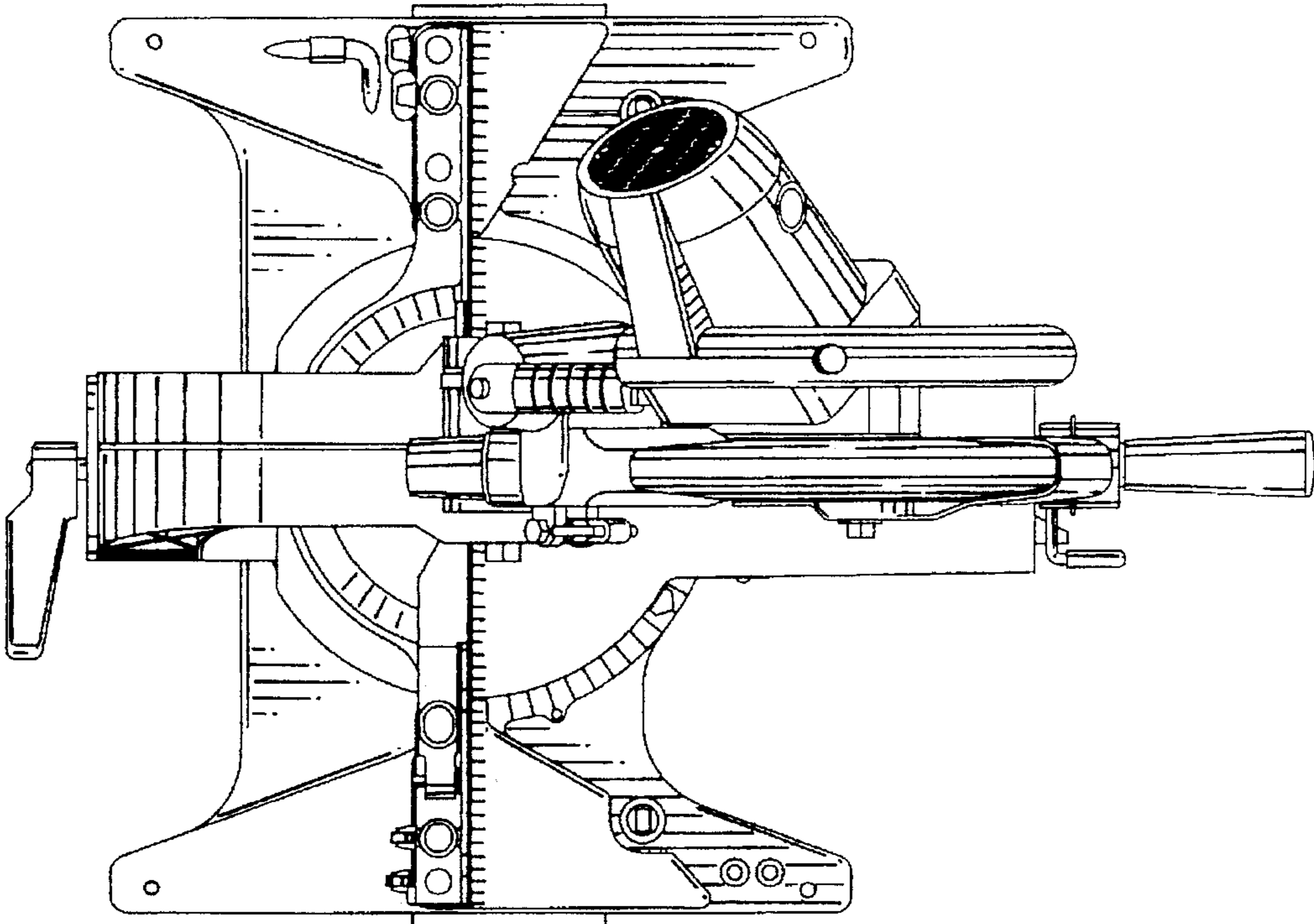


FIG. 6

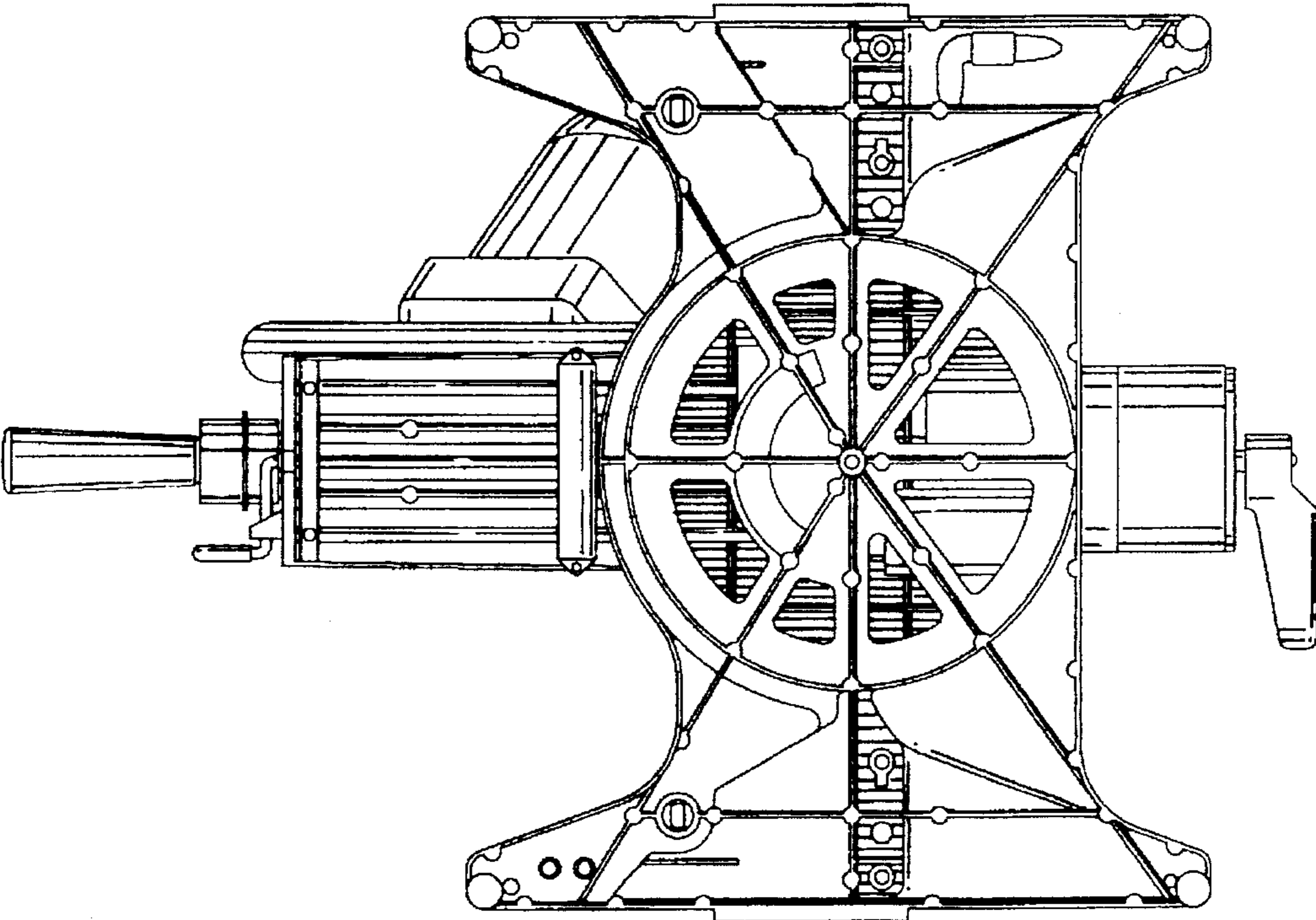


FIG. 7