



US00D383465S

# United States Patent [19]

Chen

[11] Patent Number: **Des. 383,465**

[45] Date of Patent: **\*\*Sep. 9, 1997**

[54] **AUXILIARY ANTENNA FOR CELLULAR PHONE**

D. 315,351 3/1991 Velozquez ..... D14/234  
D. 320,794 10/1991 Konishi ..... D14/234

[75] Inventor: **Chin Hui Chen**, Taipei, Taiwan

*Primary Examiner*—Dominic Simone  
*Attorney, Agent, or Firm*—Ezra Sutton

[73] Assignee: **Hideki Okuchi**, Nagoya, Japan

[57] **CLAIM**

[\*\*] Term: **14 Years**

The ornamental design for an auxiliary antenna for cellular phone, as shown.

[21] Appl. No.: **47,247**

[22] Filed: **Nov. 30, 1995**

### DESCRIPTION

[51] **LOC (6) Cl.** ..... **14-99**

FIG. 1 is a front elevational view of an auxiliary antenna for a cellular phone showing my new design, the rear being identical;

[52] **U.S. Cl.** ..... **D14/230**

FIG. 2 is a bottom plan view thereof; the top being identical; FIG. 3 is a right side elevational view thereof, the left side being identical;

[58] **Field of Search** ..... D14/230, 236, D14/234, 138, 147; 379/58-61; 343/700 R, 866

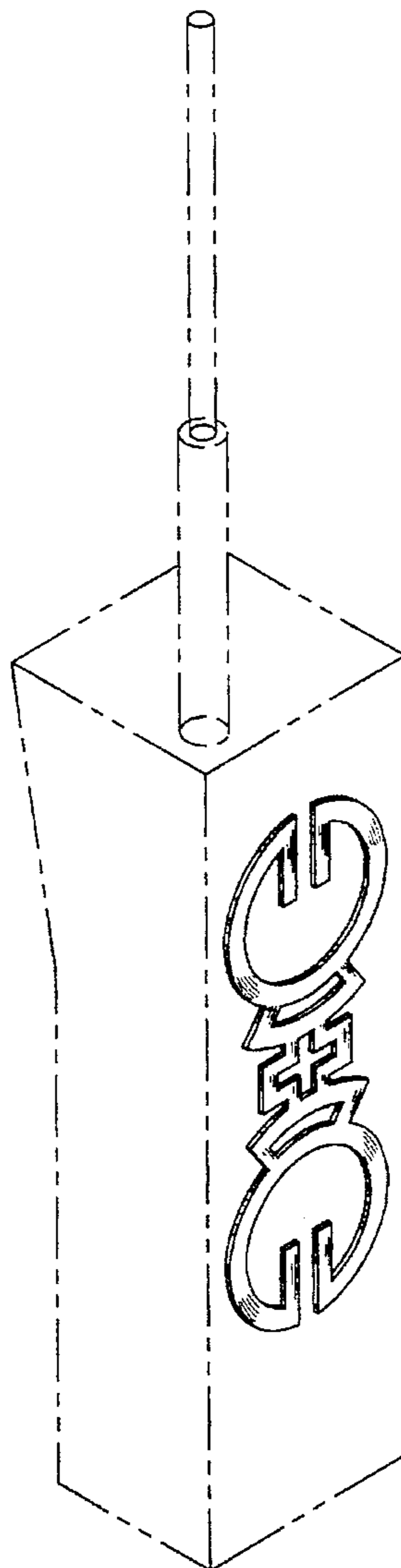
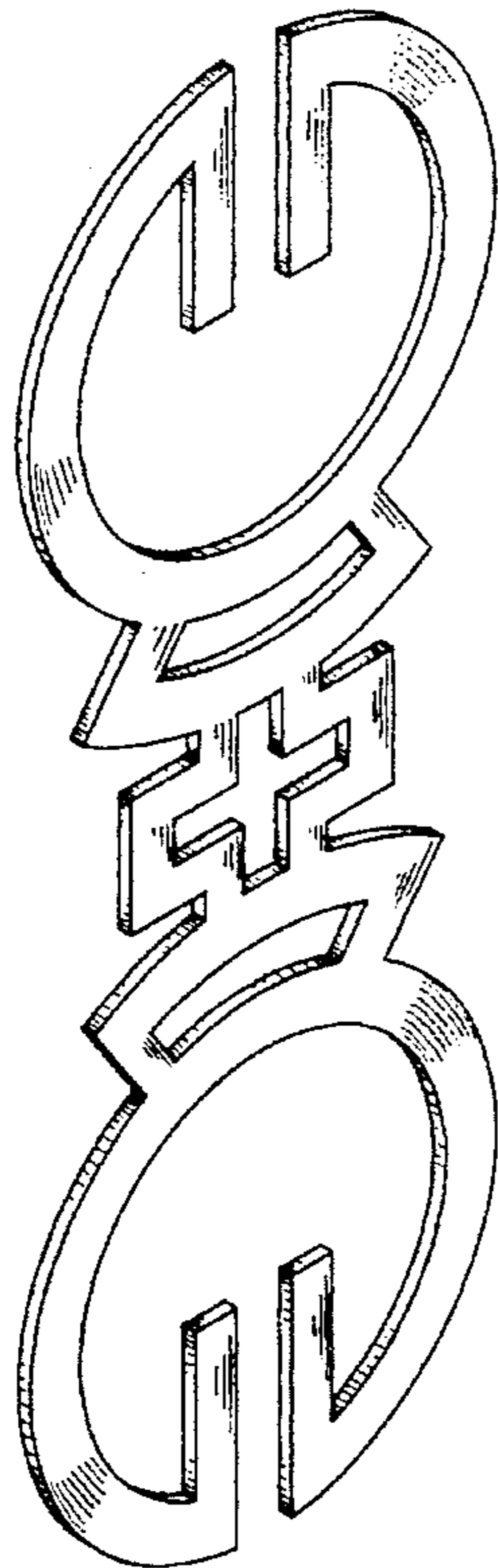
FIG. 4 is a front perspective view thereof; and, FIG. 5 is a perspective view thereof, the cellular phone shown in broken lines for illustrative purposes only and form no part of the claimed design.

### [56] **References Cited**

#### U.S. PATENT DOCUMENTS

D. 66,902 3/1925 Thompson ..... D14/236  
D. 275,100 8/1984 Mann et al. .... D14/236

**1 Claim, 3 Drawing Sheets**



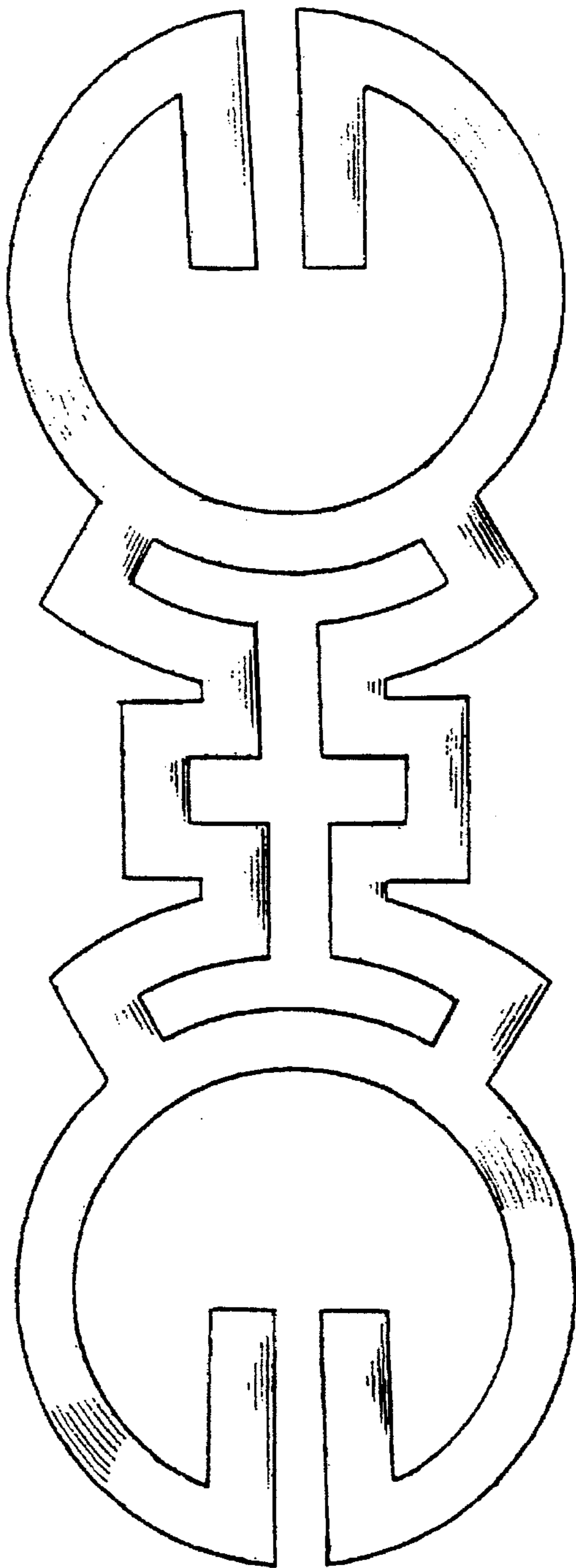


FIG. 1



FIG. 2



FIG. 3

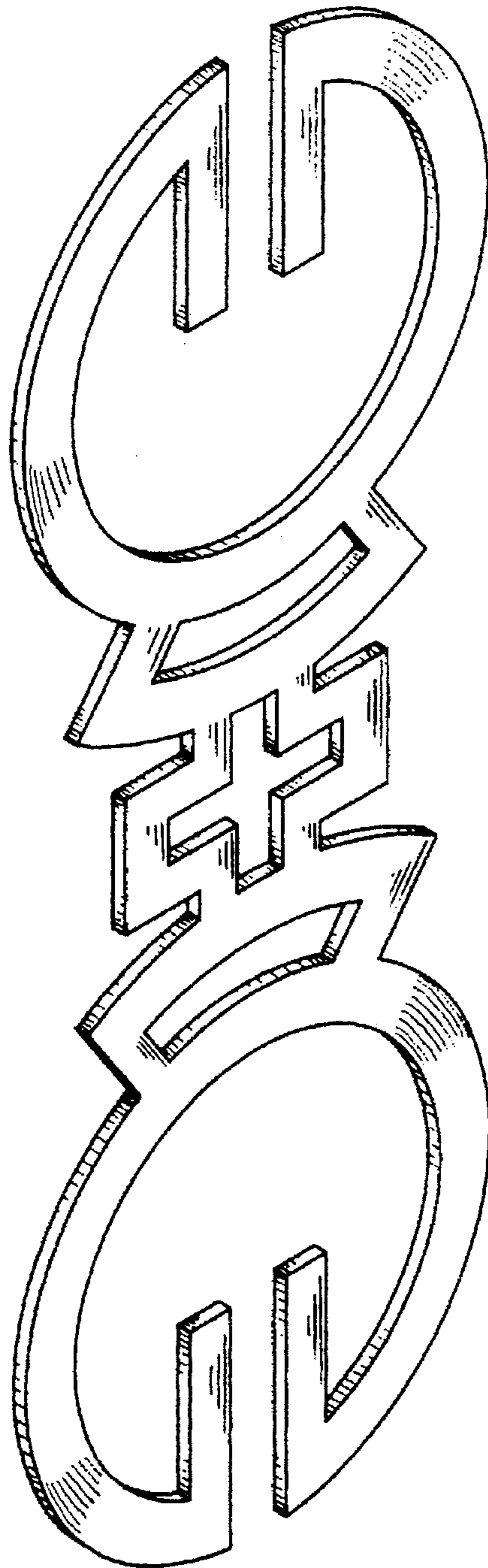


FIG.4

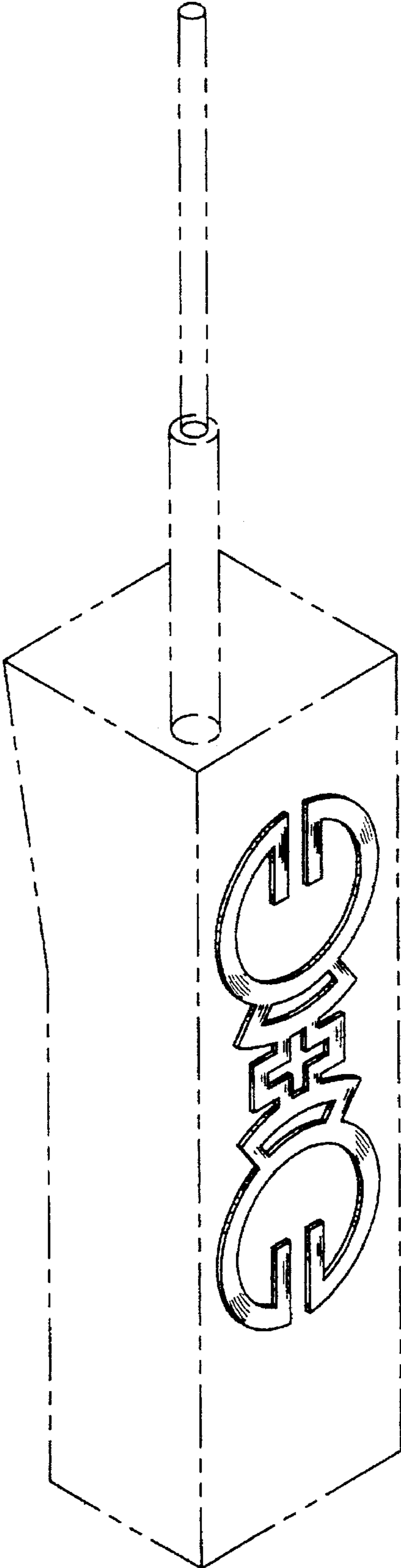


FIG.5