

US00D383464S

United States Patent [19] Myers

[11] Patent Number: **Des. 383,464**

[45] Date of Patent: ****Sep. 9, 1997**

[54] **ANTENNA TAPE**

[76] Inventor: **Stephen D. Myers**, 606 N. Sivils St.,
Crossett, Ak. 71635

[**] Term: **14 Years**

[21] Appl. No.: **43,796**

[22] Filed: **Sep. 12, 1995**

[51] LOC (6) Cl. **14-03**

[52] U.S. Cl. **D14/230**

[58] Field of Search D14/230; 343/700 R,
343/723, 877, 700 MS, 711, 713, 702

[56] **References Cited**

U.S. PATENT DOCUMENTS

D. 249,516	9/1978	Reisman	D14/230
2,307,805	1/1943	Schnell	343/702
3,327,436	6/1967	Maier	343/700 MS
3,331,075	7/1967	Moulton	343/700 MS
3,364,632	1/1968	Isaac	343/700 MS
3,646,561	2/1972	Clarke	343/711
3,793,590	2/1974	Eting et al.	325/312
5,155,493	10/1992	Thursby et al.	343/700 MS
5,526,004	6/1996	Antipov et al.	343/700 MS

Primary Examiner—Dominic Simone
Attorney, Agent, or Firm—James A. Hudak

[57] **CLAIM**

The ornamental design for an antenna tape, as shown and described.

DESCRIPTION

FIG. 1 is a perspective view of the antenna tape showing my new design in a rolled condition;

FIG. 2 is a front elevational view thereof in an unrolled condition;

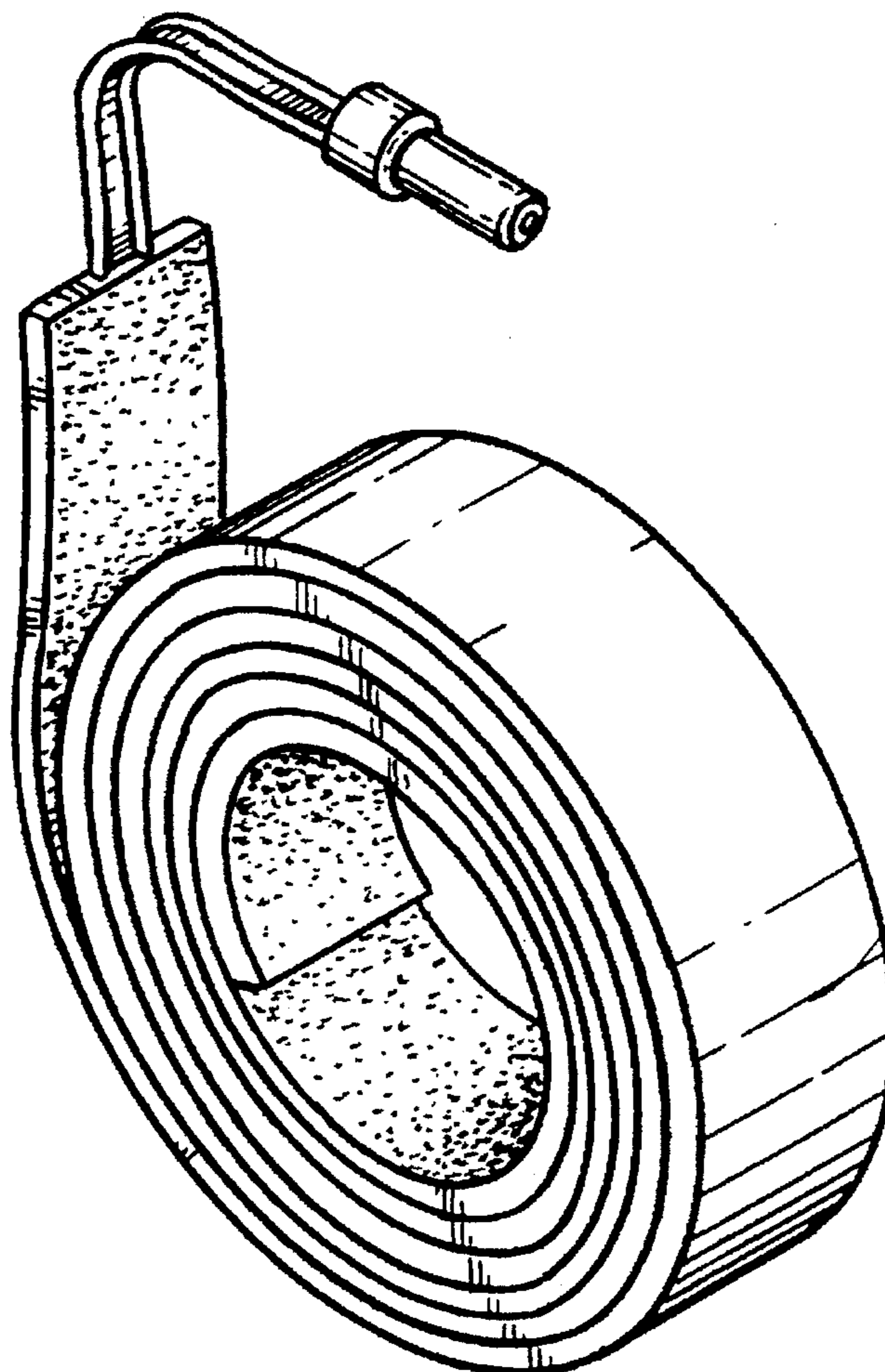
FIG. 3 is a rear elevational view thereof in an unrolled condition;

FIG. 4 is a left side elevational view thereof in an unrolled condition; the right side elevational view being a mirror image of the view shown in this Figure;

FIG. 5 is a top plan view thereof in an unrolled condition; and,

FIG. 6 is a bottom plan view thereof in an unrolled condition.

1 Claim, 2 Drawing Sheets



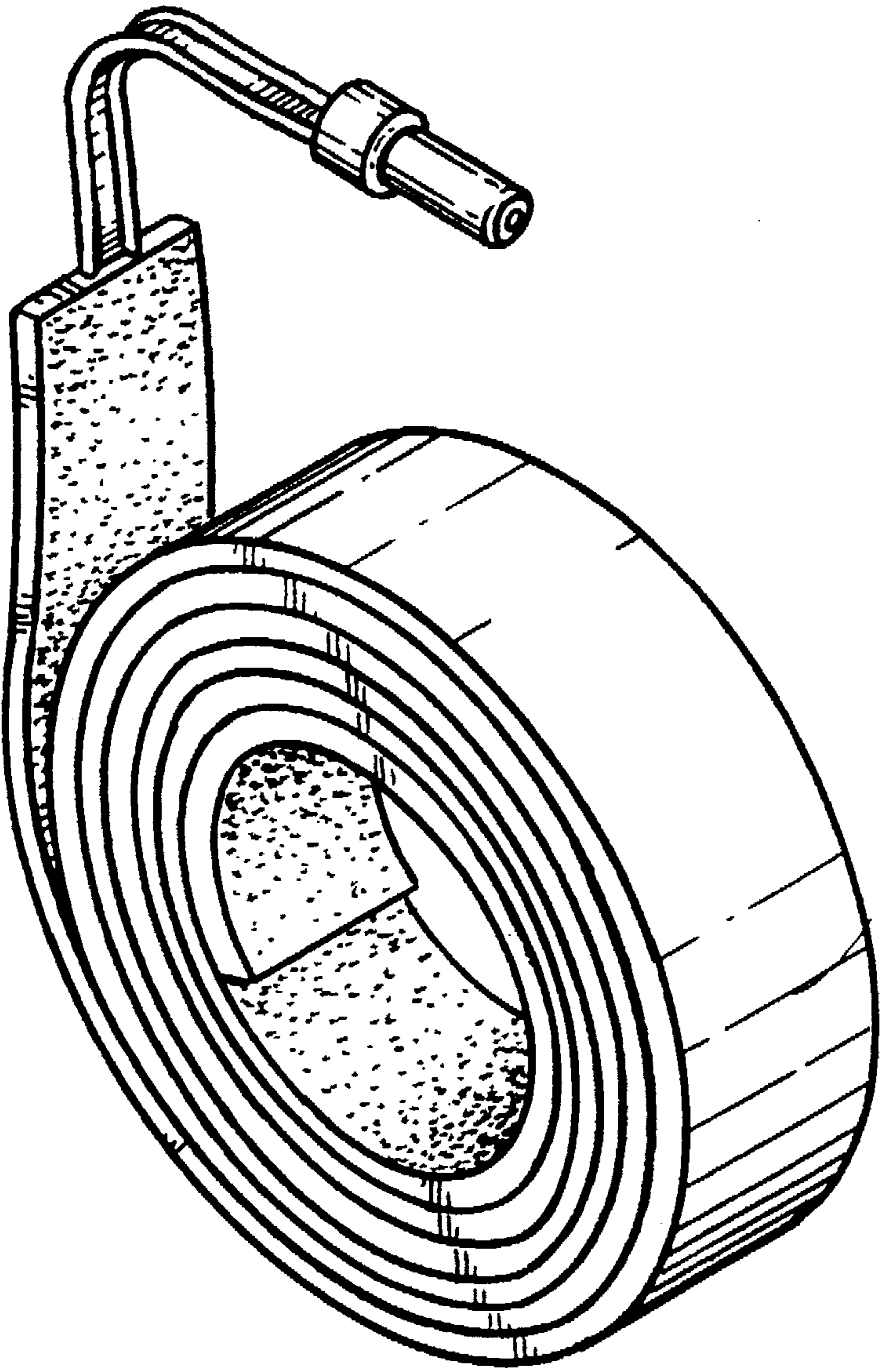


FIG. 1



FIG. 2



FIG. 3



FIG. 4



FIG. 5



FIG. 6