



US00D383460S

**United States Patent** [19]  
**Zeitman**

[11] **Patent Number:** **Des. 383,460**  
[45] **Date of Patent:** **\*\*Sep. 9, 1997**

[54] **COMBINED RADIO AND CASSETTE  
PLAYER**

D. 367,053 2/1996 Ogasawara et al. .... D14/165 X  
D. 367,860 3/1996 Ichikawa et al. .... D14/163

[75] **Inventor:** **Josh Zeitman**, Brooklyn, N.Y.

*Primary Examiner*—Sandra L. Morris

*Assistant Examiner*—Nanda Bondade

[73] **Assignee:** **Lenoxx Electronics Corp.**, Brooklyn,  
N.Y.

*Attorney, Agent, or Firm*—Burns, Doane, Swecker &  
Mathis

[\*\*] **Term:** **14 Years**

[57] **CLAIM**

[21] **Appl. No.:** **56,291**

The ornamental design for a combined radio and cassette  
player, as shown and described.

[22] **Filed:** **Jun. 26, 1996**

**DESCRIPTION**

[51] **LOC (6) Cl.** ..... **14-01**

[52] **U.S. Cl.** ..... **D14/163**

[58] **Field of Search** ..... D14/124, 160-165,  
D14/167-168, 188, 193-198; 455/344,  
347, 350, 351

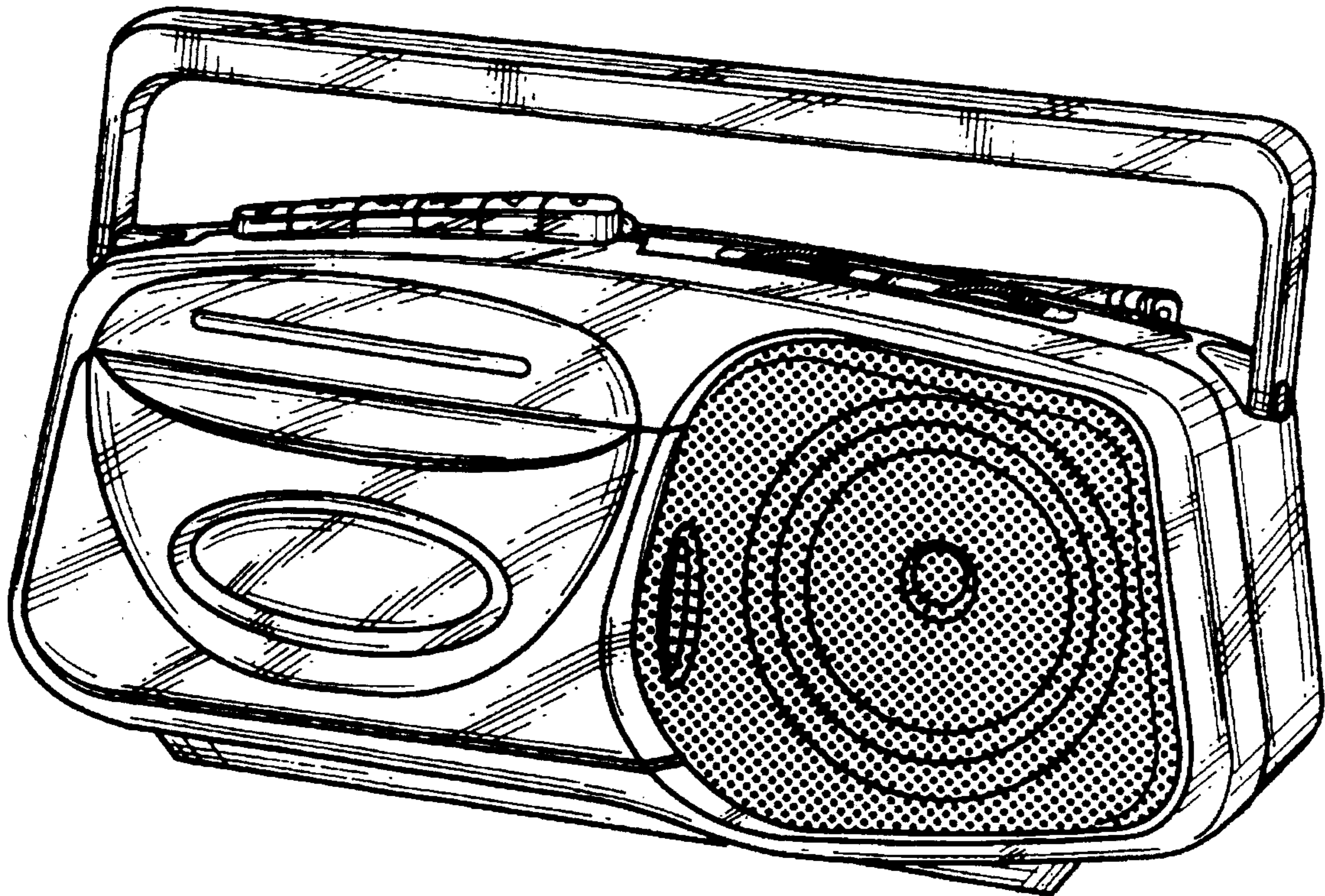
FIG. 1 is a front elevational view of a combined radio and  
cassette player showing my new design;  
FIG. 2 is a rear elevational view thereof;  
FIG. 3 is a top plan view thereof;  
FIG. 4 is a bottom plan view thereof;  
FIG. 5 is a left elevational view thereof;  
FIG. 6 is a right side elevational view thereof; and,  
FIG. 7 is a perspective view thereof.

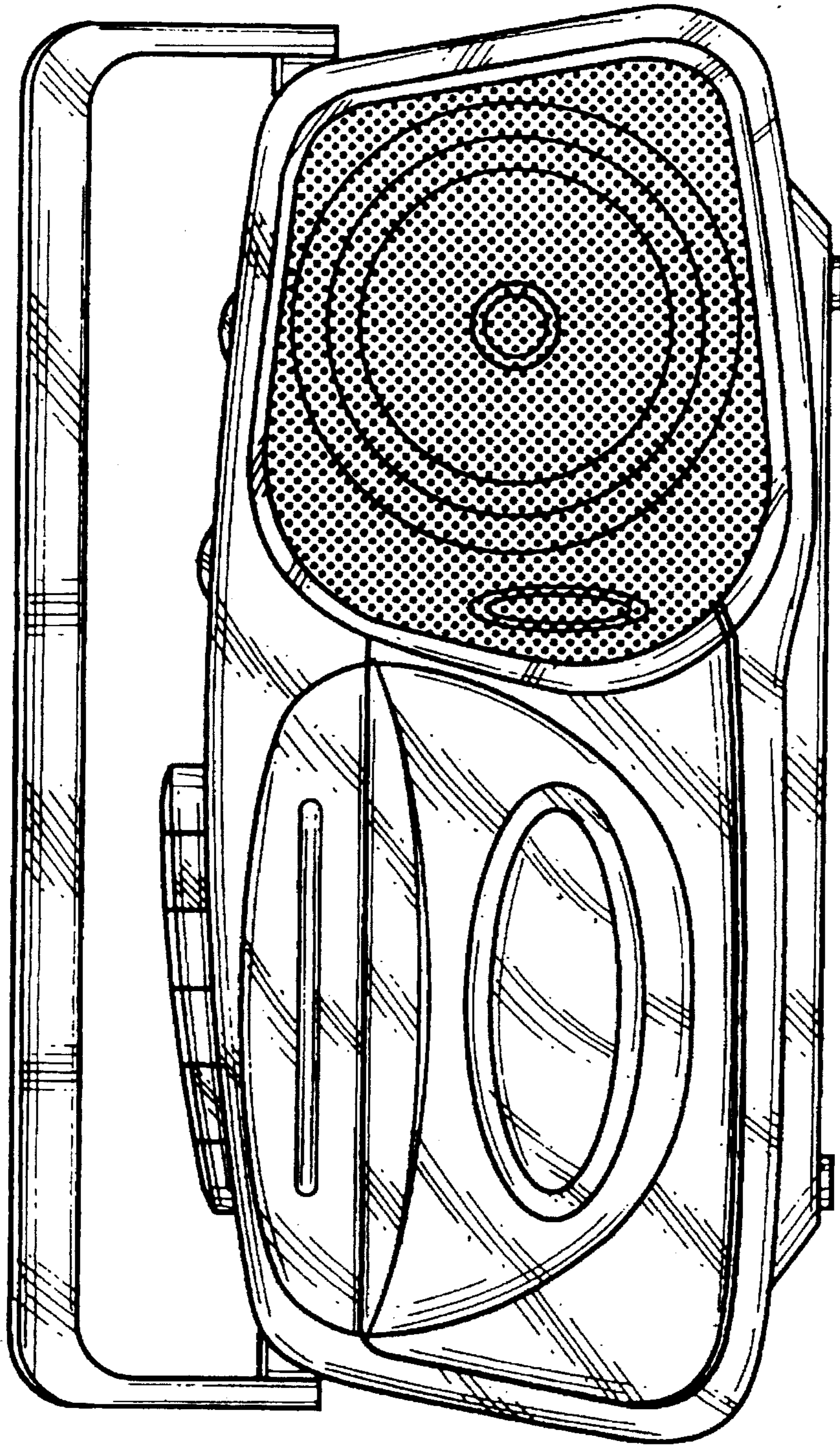
[56] **References Cited**

**U.S. PATENT DOCUMENTS**

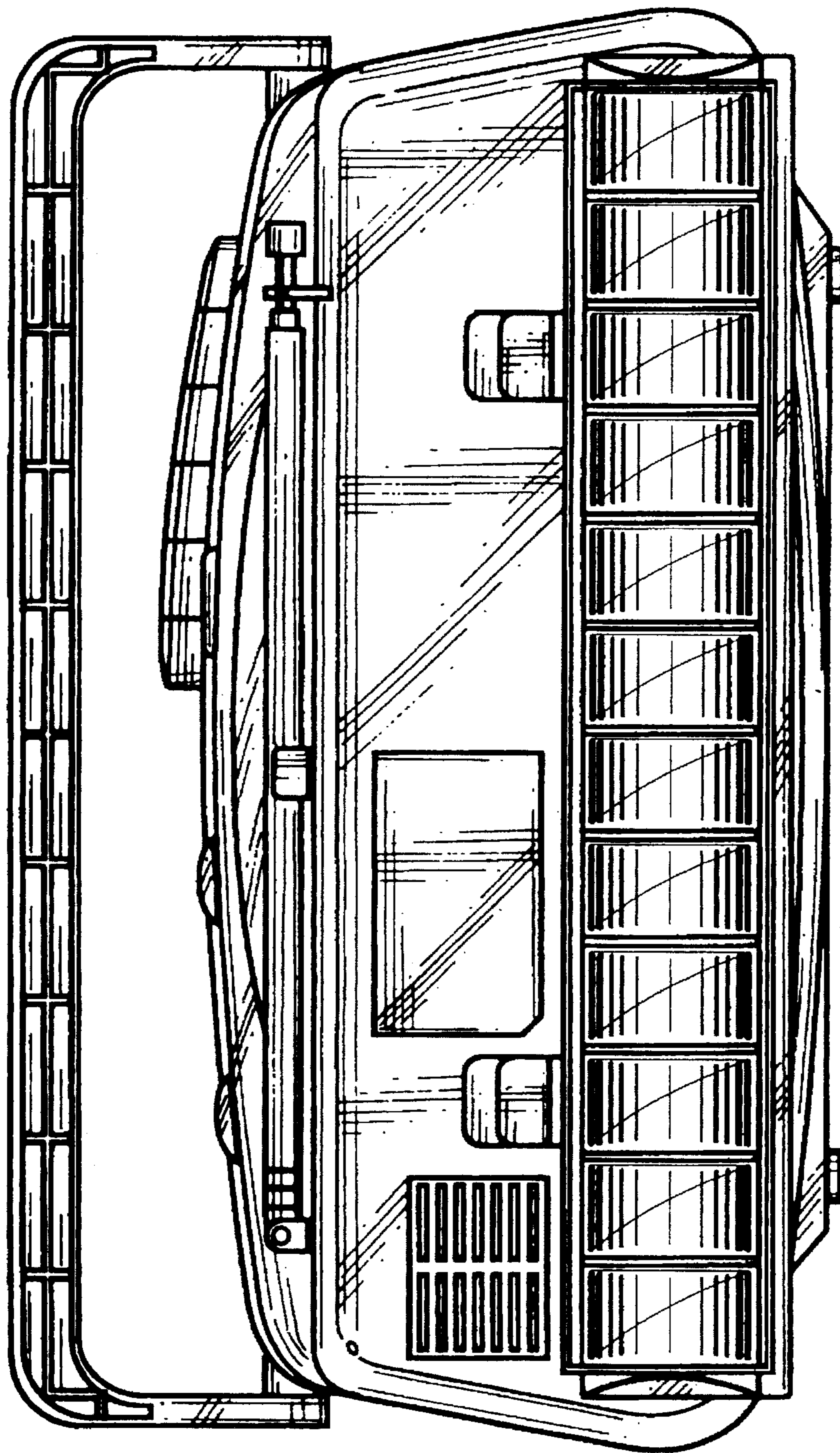
D. 309,454 7/1990 Mori ..... D14/163  
D. 359,044 6/1995 Oka et al. .... D14/162 X

**1 Claim, 7 Drawing Sheets**

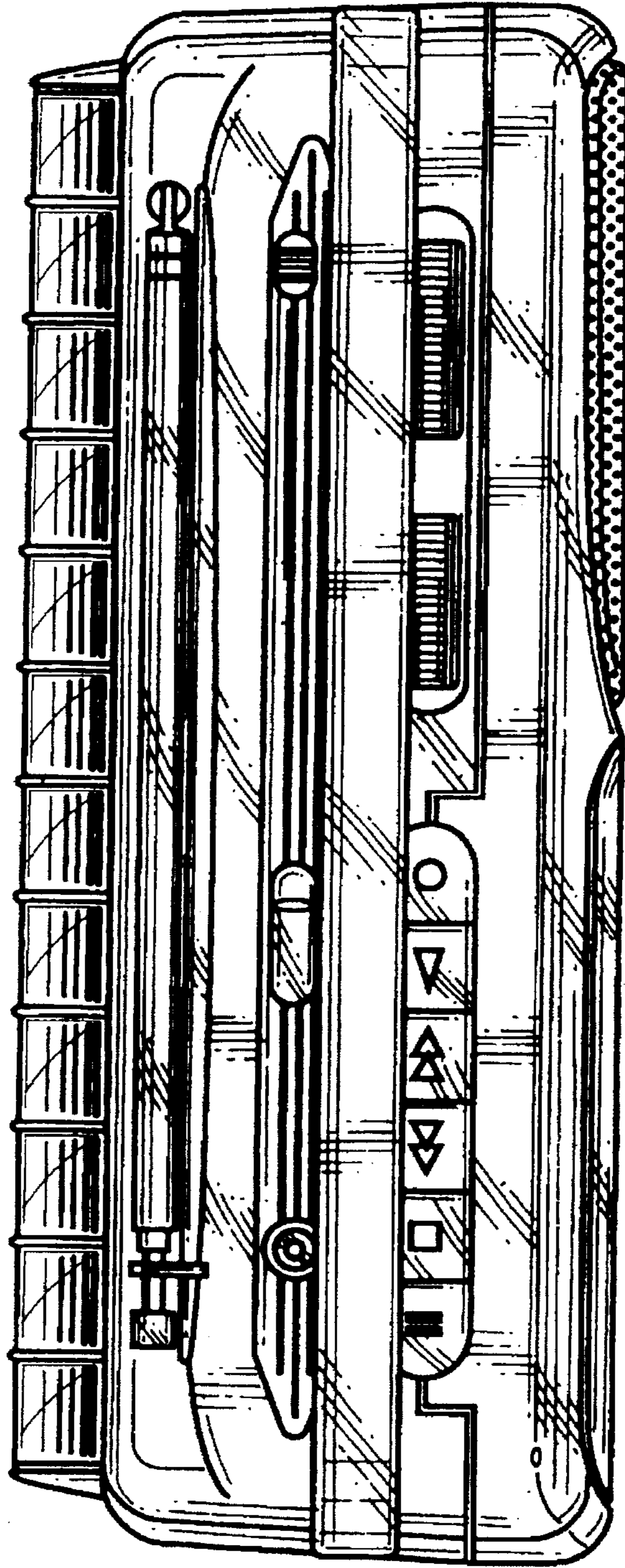




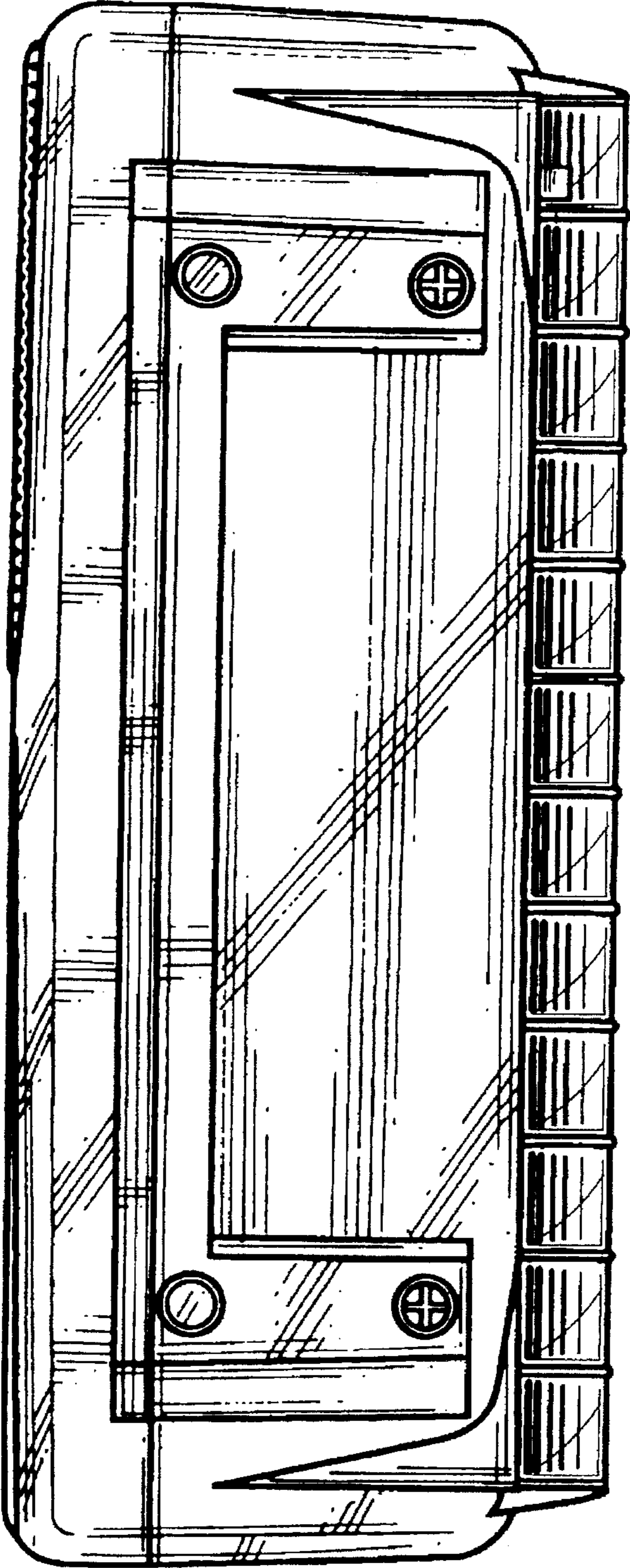
**FIG. 1**



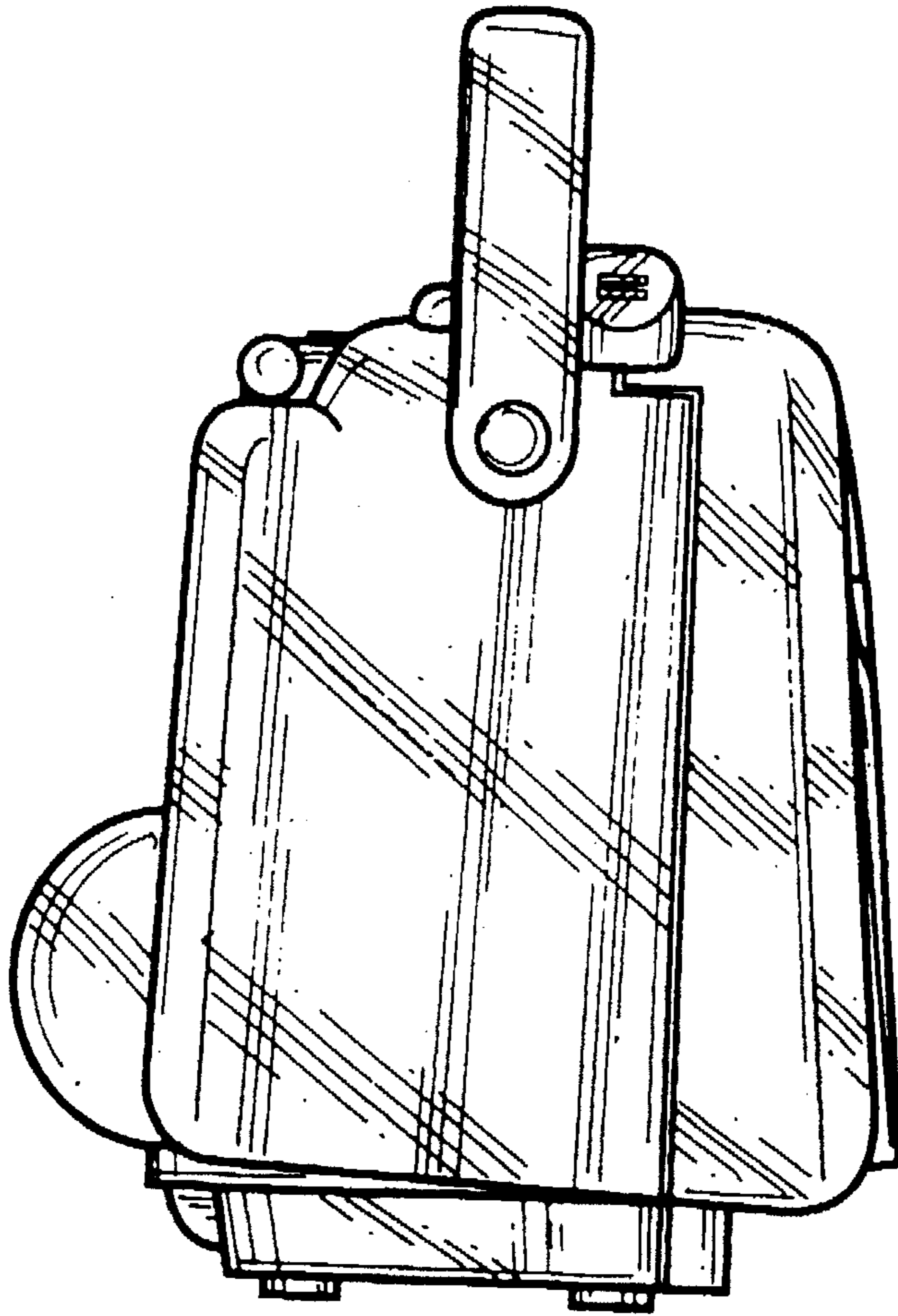
**FIG. 2**



**FIG. 3**



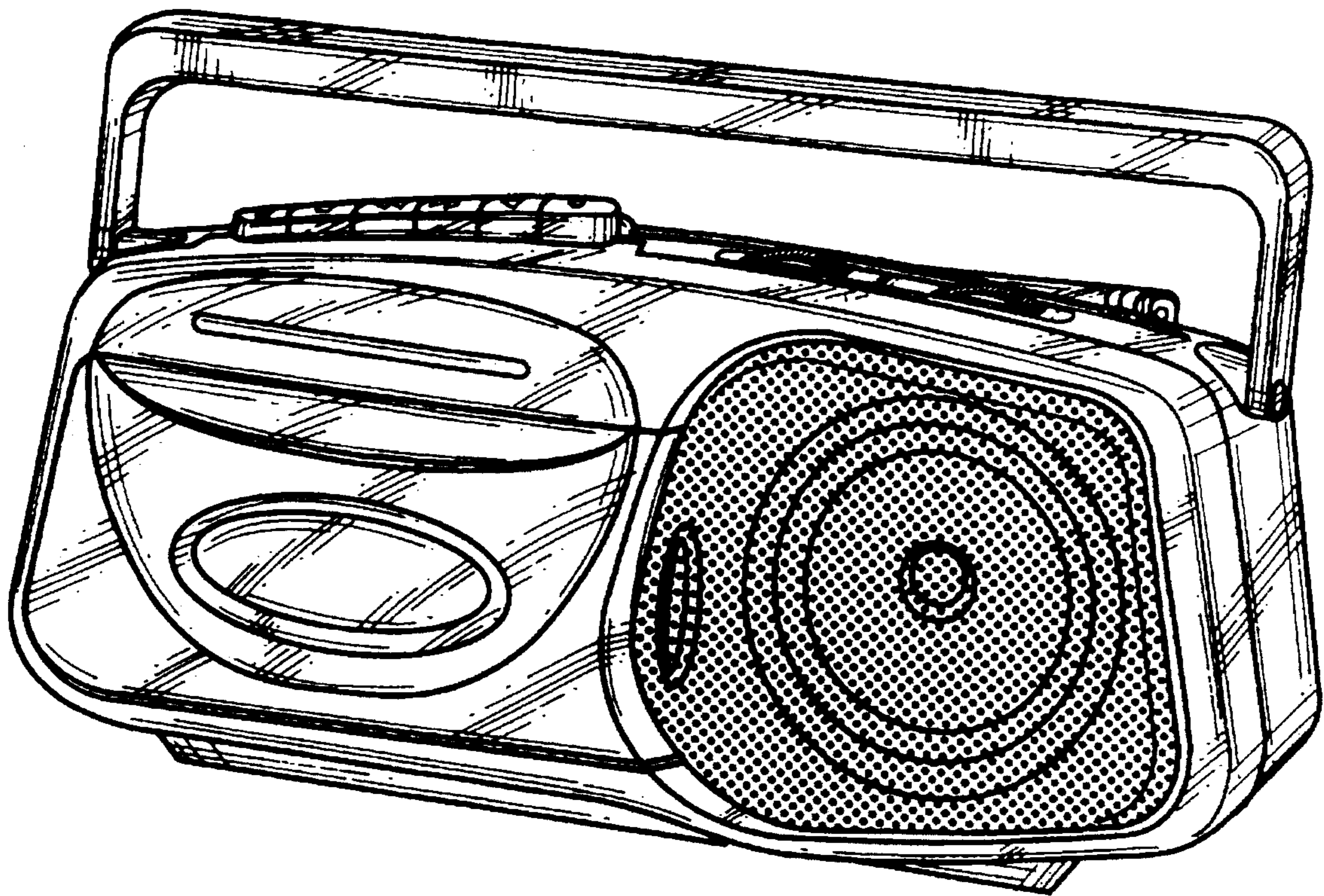
**FIG. 4**



**FIG. 5**



**FIG. 6**



**FIG. 7**