



US00D383455S

United States Patent [19]
MacInnes et al.

[11] **Patent Number:** **Des. 383,455**

[45] **Date of Patent:** ****Sep. 9, 1997**

[54] **HEAD MOUNTED DISPLAY WITH HEADTRACKER**

[75] Inventors: **Scott MacInnes**, Issaquah, Wash.;
Christopher D. Wiegel, San Diego, Calif.

[73] Assignee: **Virtual I/O, Inc.**, Seattle, Wash.

[**] Term: **14 Years**

[21] Appl. No.: **43,936**

[22] Filed: **Aug. 31, 1995**

[51] **LOC (6) Cl.** **02-03**

[52] **U.S. Cl.** **D14/124**

[58] **Field of Search** D14/124; D16/133,
D16/900; D29/103, 104, 105; D21/1, 13,
48, 240; 273/148 B; 463/30-35, 46; 359/480,
431, 407, 630; 345/7, 8, 9, 905; 348/42,
53, 115, 838

[56] **References Cited**

U.S. PATENT DOCUMENTS

- D. 300,476 3/1989 Sestak .
- D. 301,644 6/1989 Sestak .
- D. 334,557 4/1993 Hunter et al. .

(List continued on next page.)

FOREIGN PATENT DOCUMENTS

- | | | | |
|--------------|---------|-------------------------|------------|
| 0 461 942 A1 | 12/1991 | European Pat. Off. | G09B 9/32 |
| 3532730 | 3/1987 | Germany | A61B 1/04 |
| 59-117889 | 7/1984 | Japan | H04N 9/54 |
| 2 143 948 | 2/1985 | United Kingdom | G01C 1/00 |
| 2 279 201 | 12/1994 | United Kingdom | H04R 1/10 |
| 2 281 846 | 3/1995 | United Kingdom | A45F 3/00 |
| 84/01680 | 4/1984 | WIPO | H04N 5/64 |
| WO 92/03756 | 3/1992 | WIPO | G02B 27/00 |
| WO 94/11855 | 5/1994 | WIPO | G09G 3/02 |
| WO 94/14152 | 6/1994 | WIPO | G09G 3/02 |
| WO 94/24658 | 10/1994 | WIPO | G09G 3/02 |
| WO 95/10061 | 4/1995 | WIPO | G02B 26/10 |
| WO 95/10106 | 4/1995 | WIPO | G09G 3/02 |

OTHER PUBLICATIONS

- HongKong Enterprise, Oct. 1994, p. 277.
 "Airlines Weigh Benefits, Costs of At-Seat Video", *Aviation Week & Space Technology*, Aug. 15, 1994, pp. 44-45.
 Antonoff, "Real estate is cheap here, but the places you'd most want to visit are still under construction", *Popular Science*, Jun. 1993, pp. 83-86, 124-125.
 Assenheim et al., "Large-Screen-Projection, Avionic, and Helmet-Mounted Displays", Proceedings, The International Society for Optical Engineering, Feb. 26-28, 1991, vol. 1456, pp. 179-180.
 Burley, et al., "A full-color wide-field-of-view holographic helmet-mounted display for pilot/vehicle interface development and human factors studies", *SPIE*, vol. 1290 *Helmet-Mounted Displays II* (1990), pp. 9-15.
 Carr, "Is Virtual Reality Virtually Here?", *Training & Development*, Oct. 1992, pp. 37-41.
 Farmer, "The right solution to the right problem . . . now", *Comdex Daily*, Nov. 15, 1994, p. 4.

(List continued on next page.)

Primary Examiner—Prabhakar G. Deshmukh
Attorney, Agent, or Firm—Bogle & Gates, P.L.L.C.

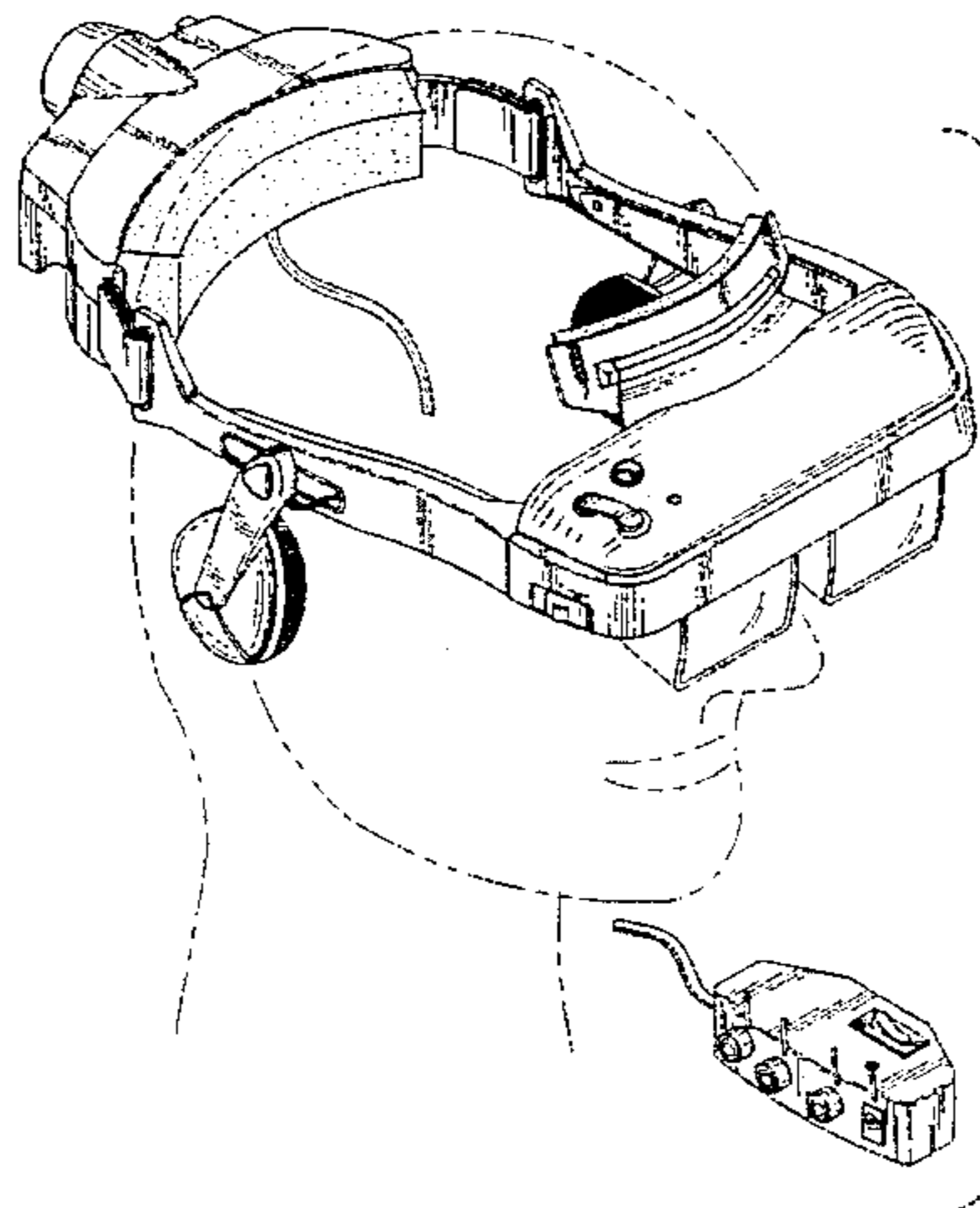
[57] **CLAIM**

The ornamental design for a head mounted display with headtracker, as shown.

DESCRIPTION

- FIG. 1 is a perspective view of the head mounted display with headtracker;
 FIG. 2 is a front elevational view of the head mounted display with headtracker;
 FIG. 3 is a rear elevational view of the head mounted display with headtracker;
 FIG. 4 is a right side elevational view of the head mounted display with headtracker;
 FIG. 5 is a left side elevation view of the head mounted display with headtracker;
 FIG. 6 is a top plan view of the head mounted display with headtracker; and,
 FIG. 7 is a bottom plan view of the head mounted display with headtracker.

1 Claim, 5 Drawing Sheets



U.S. PATENT DOCUMENTS

D. 334,742	4/1993	Hunter et al. .		5,192,960	3/1993	Komamura .	
D. 337,320	7/1993	Hunter et al. .		5,200,844	4/1993	Suvada .	
D. 338,514	8/1993	Holmes .		5,227,769	7/1993	Leksew et al.	345/8
D. 363,279	10/1995	Ishizawa et al.	D14/124	5,274,405	12/1993	Webster .	
D. 363,482	10/1995	Robinson et al.	D14/124	5,276,471	1/1994	Yamauchi et al. .	
D. 366,481	1/1996	Raviv et al.	D14/124	5,281,957	1/1994	Schoolman .	
D. 369,160	4/1996	Gotoh et al.	D14/124	5,293,271	3/1994	Merritt et al. .	
D. 369,595	5/1996	Kober et al.	D14/124	5,305,244	4/1994	Newman et al. .	
D. 370,909	6/1996	Oikawa et al.	D14/124	5,320,538	6/1994	Baum	434/307
D. 374,002	9/1996	Bassett et al.	D14/124	5,321,416	6/1994	Bassett et al. .	
2,955,156	10/1960	Heilig .		5,322,441	6/1994	Lewis et al. .	
3,629,870	12/1971	Paisley .		5,323,174	6/1994	Klapman et al. .	
3,737,212	6/1973	Antonson et al.	350/174	5,334,991	8/1994	Wells et al. .	
4,048,653	9/1977	Spooner .		5,347,400	9/1994	Hunter .	
4,257,062	3/1981	Meredith .		5,353,042	10/1994	Klapman et al. .	
4,310,849	1/1982	Glass .		5,373,857	12/1994	Travers et al. .	
4,348,185	9/1982	Breglia et al. .		5,392,158	2/1995	Tosaki .	
4,361,384	11/1982	Bosserman .		5,451,976	9/1995	Ito .	
4,395,731	7/1983	Schoolman .		5,486,841	1/1996	Hara et al.	345/8
4,398,799	8/1983	Swift .					
4,446,480	5/1984	Breglia et al. .					
4,550,984	11/1985	Reymond .					
4,559,555	12/1985	Schoolman .					
4,561,723	12/1985	Hamano et al. .					
4,636,866	1/1987	Hattori .					
4,651,201	3/1987	Schoolman .					
4,695,129	9/1987	Faessen et al. .					
4,706,117	11/1987	Schoolman .					
4,737,972	4/1988	Schoolman .					
4,753,514	6/1988	Kubik .					
4,786,966	11/1988	Hanson et al. .					
4,796,987	1/1989	Linden .					
4,797,736	1/1989	Kloots et al. .					
4,799,765	1/1989	Ferrer .					
4,805,988	2/1989	Dones .					
4,807,202	2/1989	Cherri et al. .					
4,853,764	8/1989	Sutter .					
4,859,031	8/1989	Berman et al. .					
4,884,219	11/1989	Waldren .					
4,902,120	2/1990	Weyer .					
4,930,888	6/1990	Freisleben et al. .					
4,933,735	6/1990	Dahl et al. .					
4,952,024	8/1990	Gale .					
4,961,626	10/1990	Fournier, Jr. et al. .					
4,982,278	1/1991	Dahl et al. .					
4,995,165	2/1991	Daniels .					
5,003,300	3/1991	Wells .					
5,005,213	4/1991	Hanson et al. .					
5,019,828	5/1991	Schoolman .					
5,039,198	8/1991	VanBeek .					
5,046,827	9/1991	Frost et al. .					
5,081,542	1/1992	Efron et al. .					
5,091,719	2/1992	Beamon, III .					
5,123,726	6/1992	Webster .					
5,124,821	6/1992	Antier et al. .					
5,129,716	7/1992	Holakovszky et al. .					
5,130,794	7/1992	Ritchey .					
5,138,555	8/1992	Albrecht .					
5,151,722	9/1992	Massof et al. .					
5,162,828	11/1992	Furness et al. .					
5,164,848	11/1992	Firth et al. .					
5,189,512	2/1993	Cameron et al. .					

OTHER PUBLICATIONS

- Fischer, "Fundamentals and Optics for Head Mounted Displays", *Photonics West '95*, Feb. 4-10, 1995.
- Fisher et al., "Living in a Virtual World", *BYTE*, Jul. 1990, pp. 215-221.
- Foley, "Interfaces for Advanced Computing", *Scientific American*, Oct. 1987, vol. 257, No. 4, pp. 126-135.
- Horn, "Seeing the invisible", *U.S. News & World Report*, Jan. 28, 1991.
- James, "Goggles Brighten Dark Subway", *The New York Times*, Apr. 10, 1992.
- Jones et al., "Evaluation of conformal and body-axis attitude information for spatial awareness", *SPIE*, vol. 1695 *Helmet-Mounted Displays III* (1992), pp. 146-153.
- Krueger, *Artificial Reality II*, 1991 Addison-Wesley Publishing Company, Inc., pp. 66-82, 102-116, 130-149, 179-182, 237-239, 267-279.
- Pope, "Say ahhh! Videos help you relax", *The Times-Picayune*, Oct. 25, 1994, pp. 1, A-6.
- Siggraph, *Nikkei Electronics*, Aug. 22, 1994, pp. 13-14.
- Sony, "Visortron" advertisement.
- Starks, "Stereoscopic video and the quest for virtual reality: an annotated bibliography of selected topics", *SPIE*, vol. 1457 *Stereoscopic Displays and Applications II* (1991), pp. 327-343.
- Stewart, "Through the looking glass into an artificial world—via computer", *Smithsonian*, vol. 21, No. 10, Jan. 1991, pp. 36-45.
- "Survey of Head Mounted Displays", *Real Time Graphics*, Aug. 1994, vol. 3, No. 2, pp. 1, 8-12.
- Sutherland, "A head-mounted three dimensional display", *Fall Joint Computer Conference*, 1968, pp. 757-763.
- Virtual I/O, "i-glasses!", *Twice CES Daily*, Jan. 6, 1995, p. 30.
- Virtual I/O, Inc., "PDS Gamer™" advertisement.
- Virtual I/O, Specifications, *Virtual Reality World*, Nov./Dec. 1994, p. 11.
- Virtual I/O, *VR News*, Aug./Sep. 1994, p. 17.
- VR News*, Dec. 1994, vol. 3, Issue 10, pp. 4, 8, 12.

FIG. 1

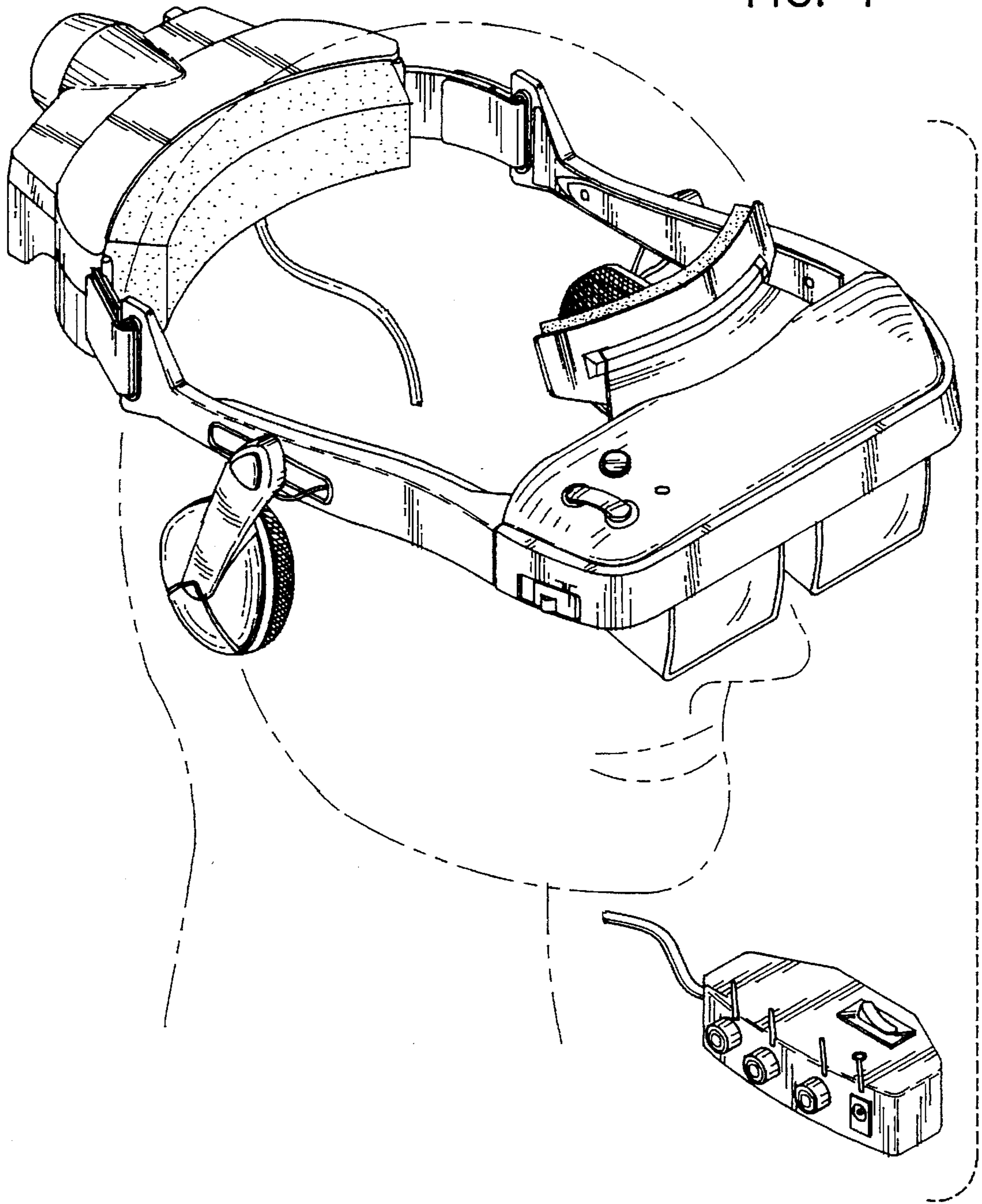


FIG. 2

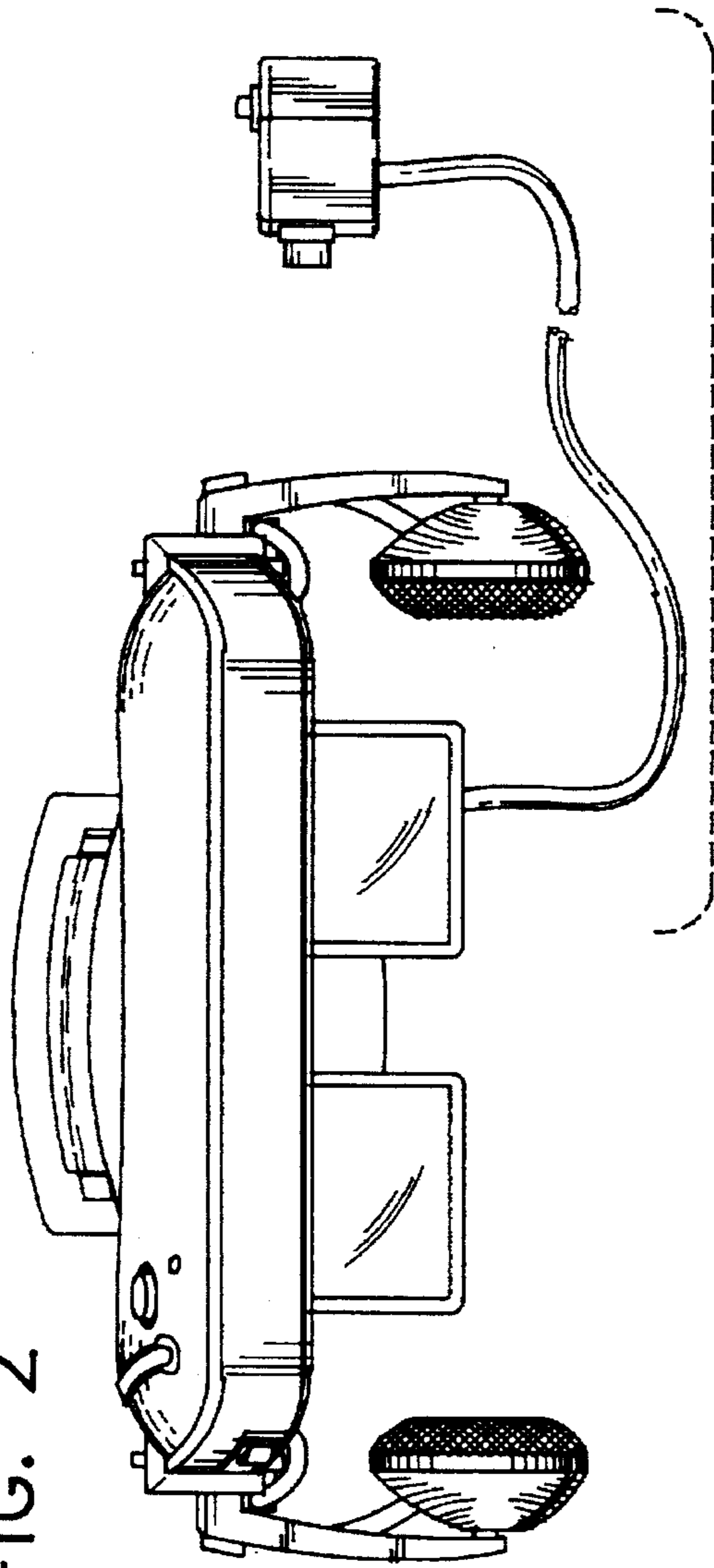
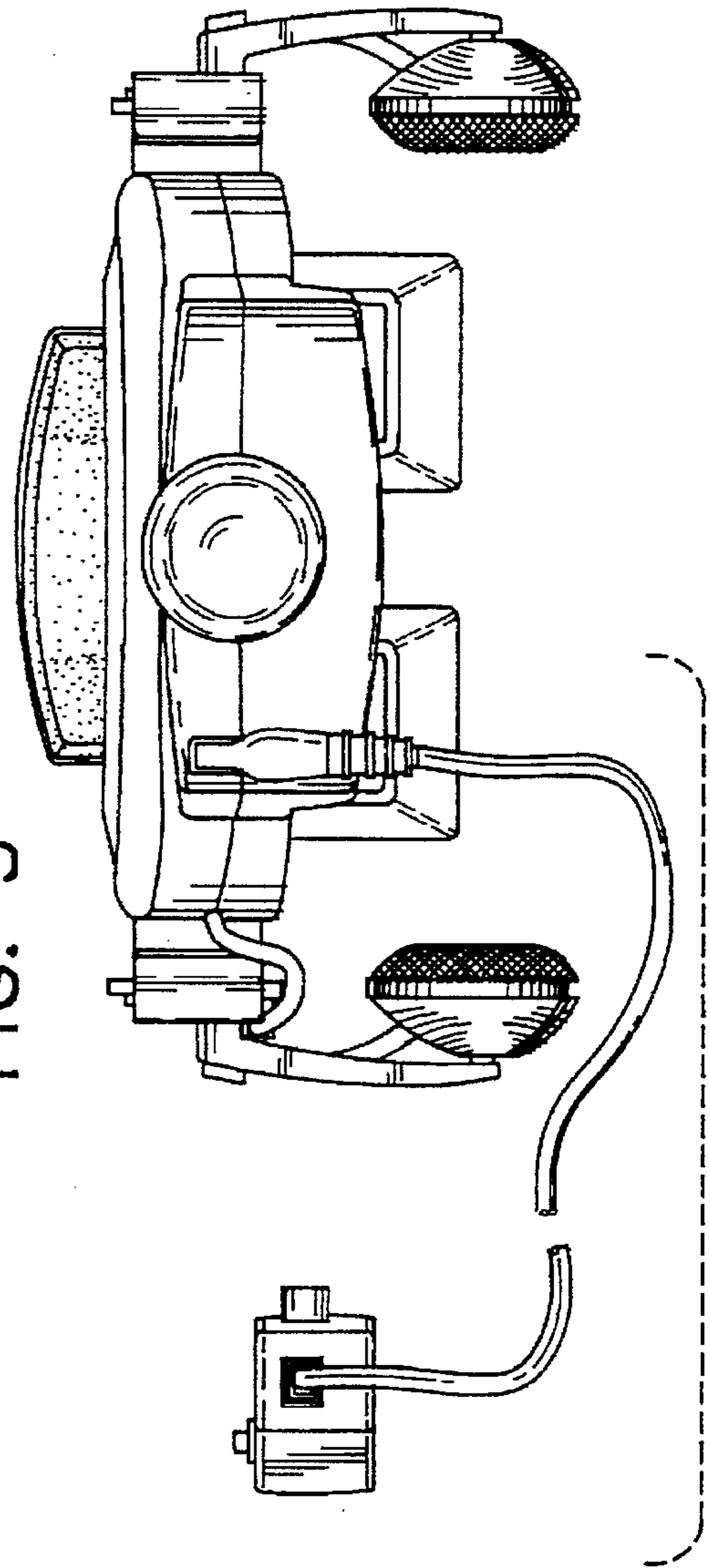


FIG. 3



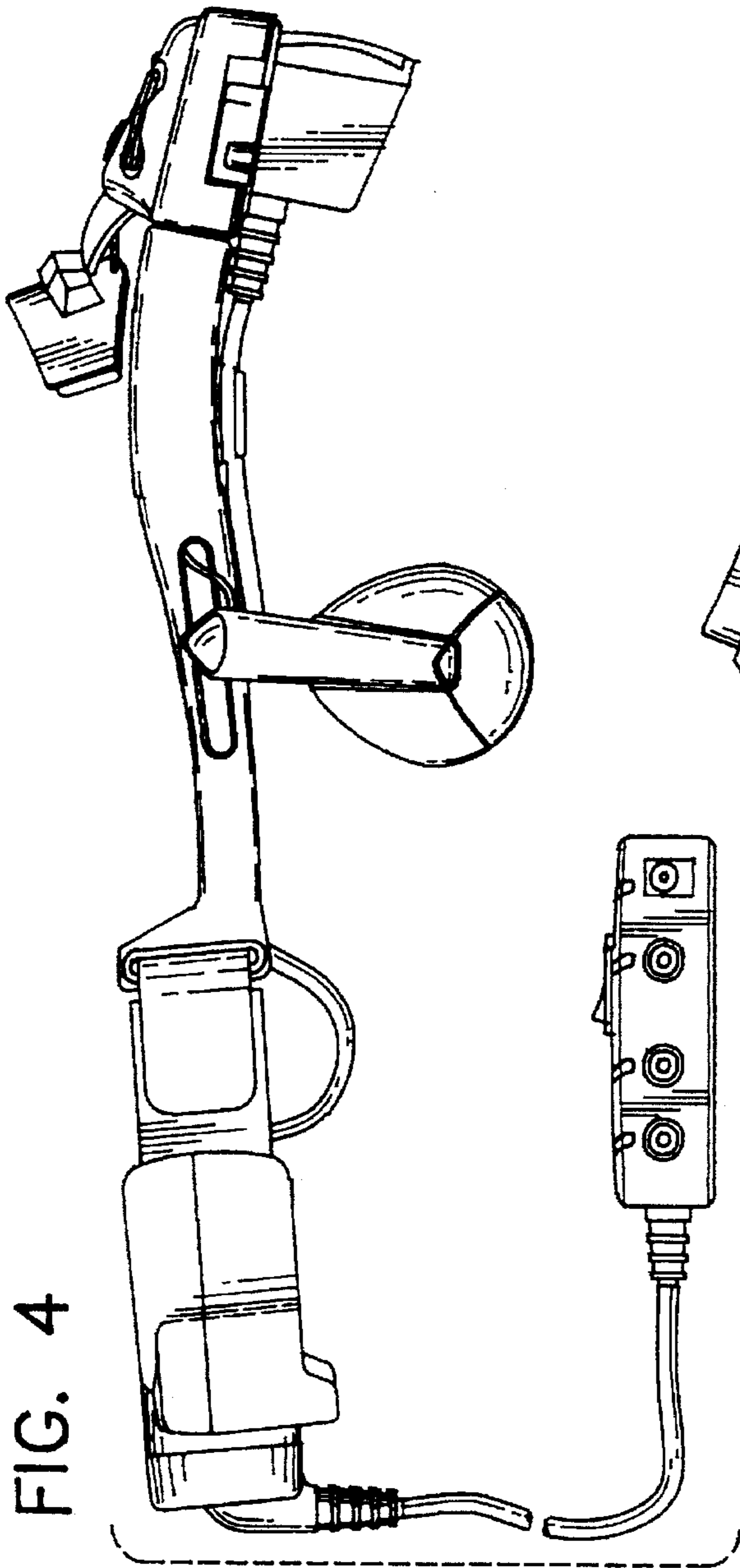


FIG. 4

FIG. 5

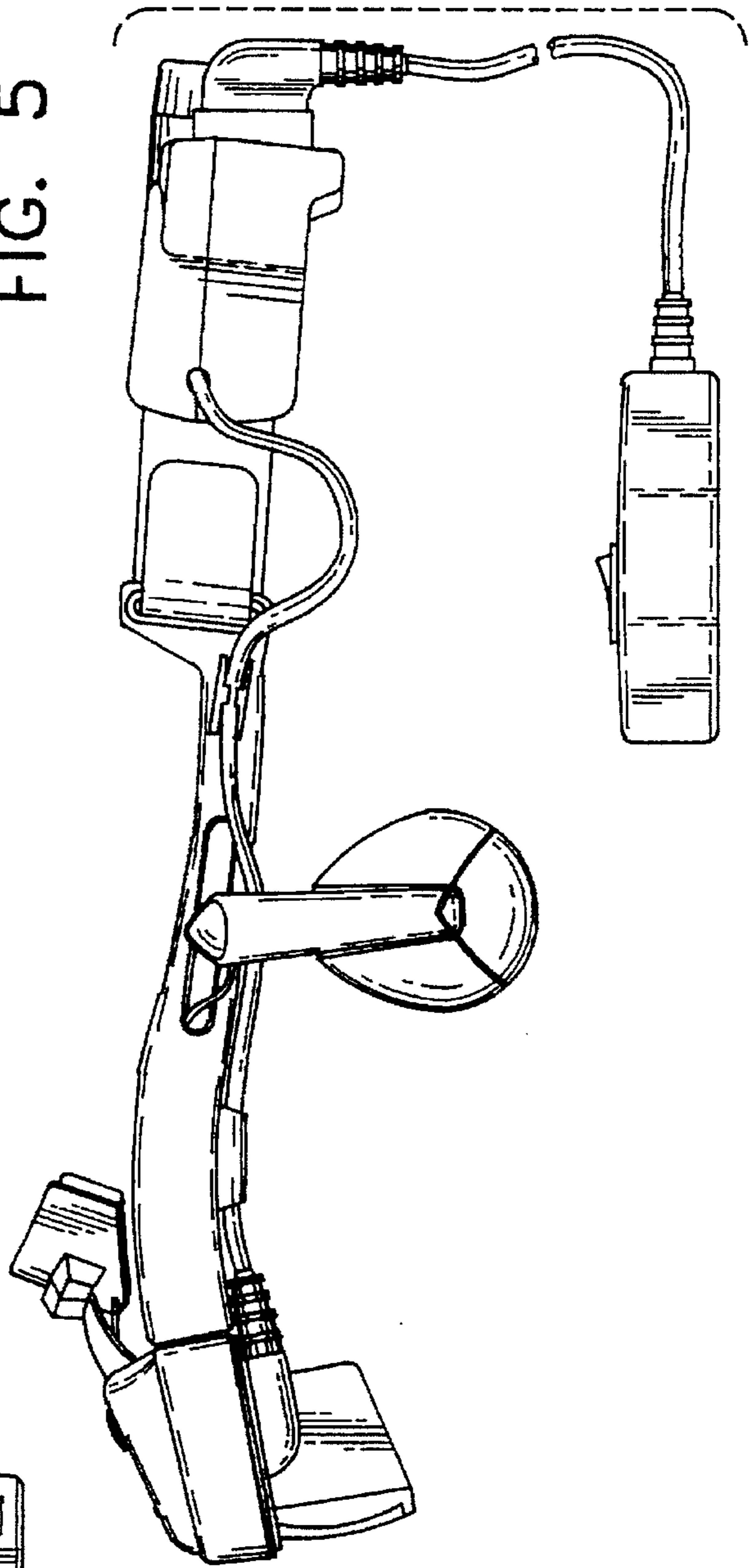


FIG. 5

FIG. 6

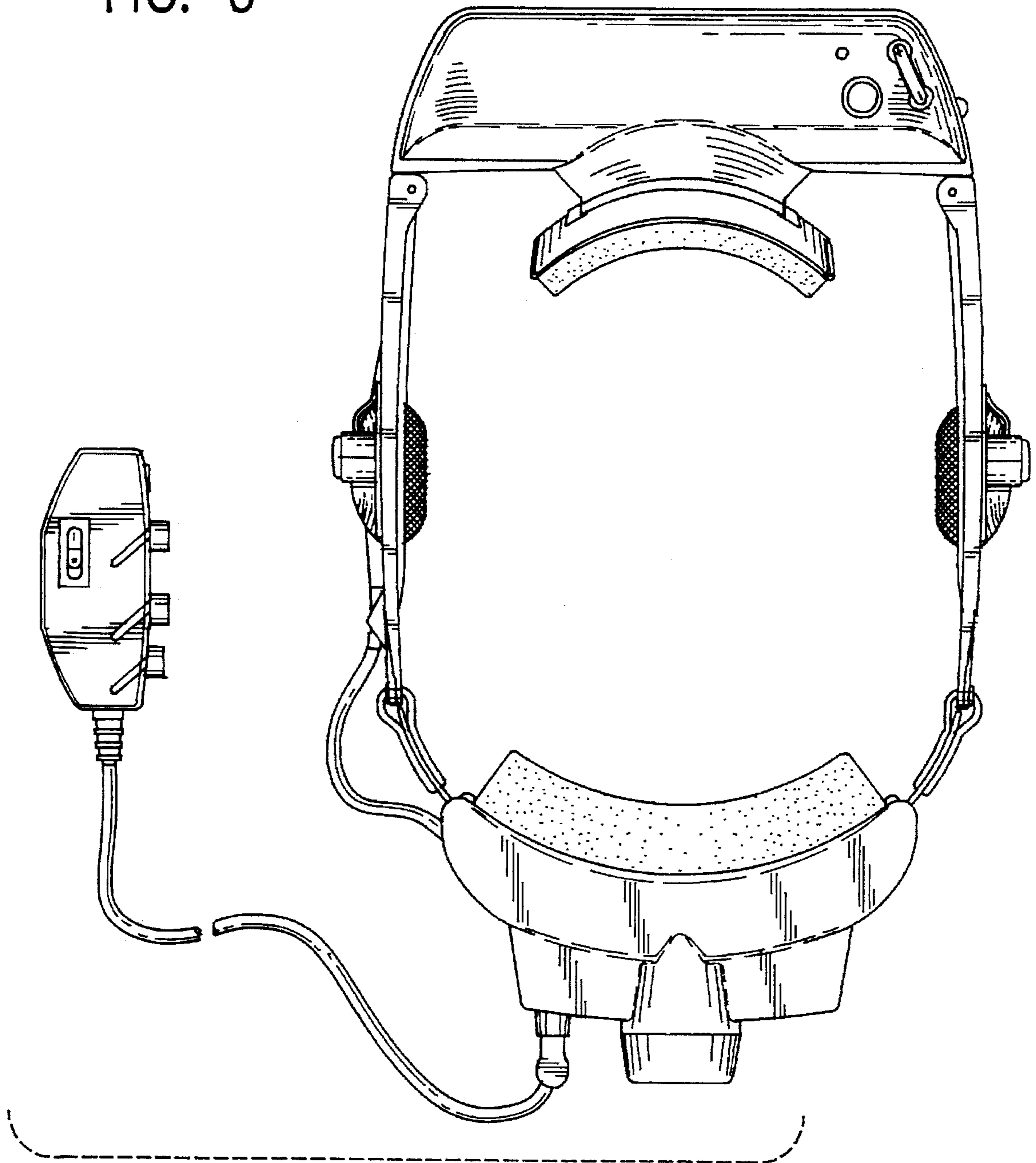


FIG. 7

