



US00D383452S

# United States Patent [19]

[11] Patent Number: **Des. 383,452**

Thompson et al.

[45] Date of Patent: **\*\*Sep. 9, 1997**

[54] **REMOVABLE CARTRIDGE DISK DRIVE**

[75] Inventors: **Herbert E. Thompson; Bin-Lun Ho**, both of Los Gatos; **Albert J. Guerini**, Gilroy; **Teong-Hoe Kay**, San Jose, all of Calif.

[73] Assignee: **Syquest Technology, Inc.**, Fremont, Calif.

[\*\*] Term: **14 Years**

[21] Appl. No.: **51,568**

[22] Filed: **Mar. 13, 1996**

[51] LOC (6) Cl. .... **14-02**

[52] U.S. Cl. .... **D14/109; D14/107**

[58] **Field of Search** .... **D14/100, 107, D14/108, 109; D13/162, 184, 199; 312/208.1; 360/97.01, 97.04, 98.01, 99.01, 99.12; 361/690-696**

[56] **References Cited**

**U.S. PATENT DOCUMENTS**

- D. 336,289 6/1993 Hill ..... D14/109
- D. 348,448 7/1994 Read et al. .... D14/109
- D. 358,138 5/1995 Koyanagi et al. .... D14/109
- D. 358,141 5/1995 Pecone et al. .... D14/109

- D. 372,021 7/1996 Idleman et al. .... D14/109
- 5,253,129 10/1993 Blackborow et al. .... D14/109 X
- 5,363,273 11/1994 Ma ..... D14/109 X

*Primary Examiner*—Freda Nunn  
*Attorney, Agent, or Firm*—Lyon & Lyon LLP

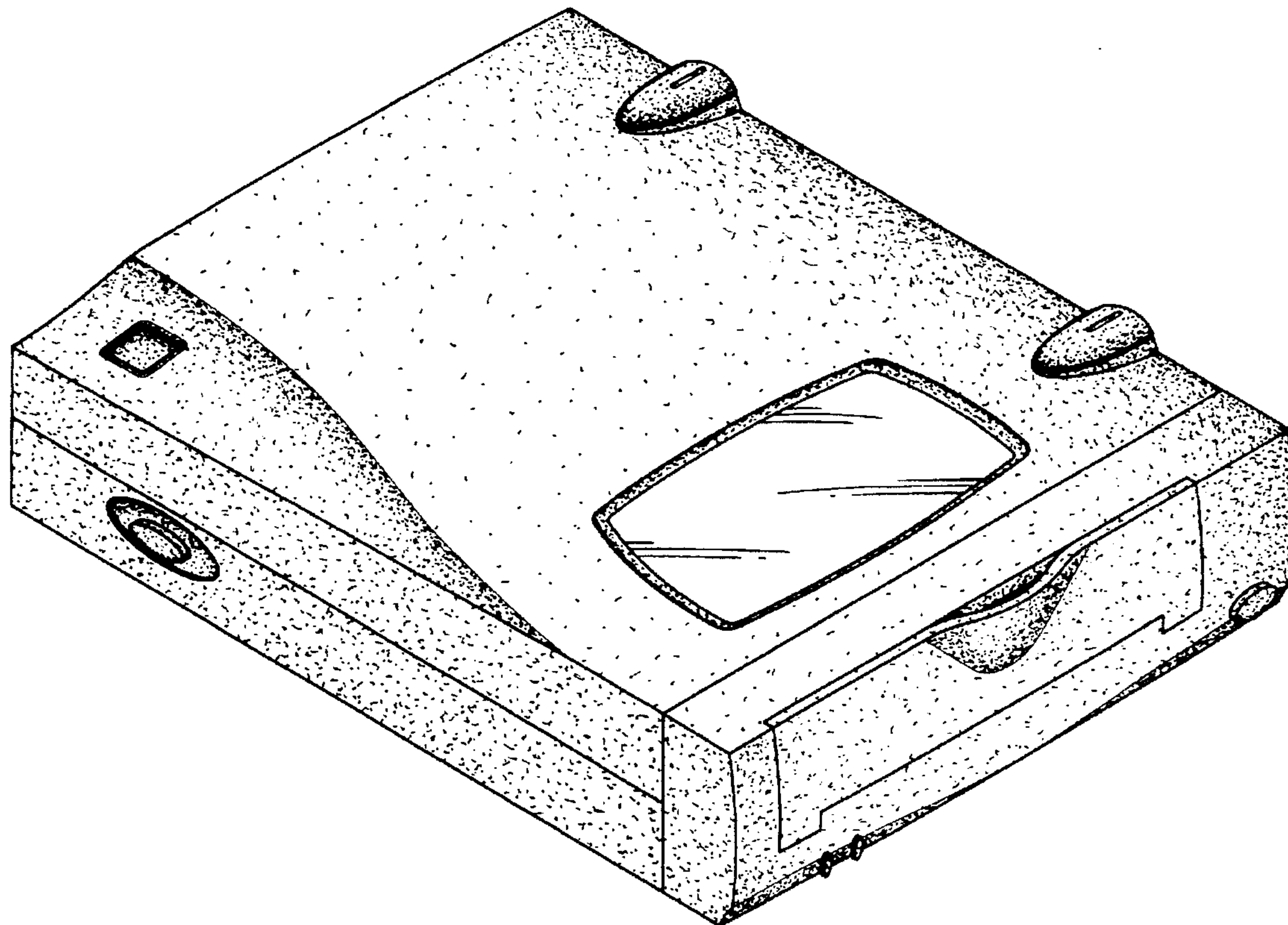
[57] **CLAIM**

The ornamental design for a removable cartridge disk drive, as shown and described.

**DESCRIPTION**

FIG. 1 depicts a perspective view of the removable cartridge disk drive of the invention;  
 FIG. 2 depicts a plan view of the removable cartridge disk drive of the invention;  
 FIG. 3 depicts a bottom view of the removable cartridge disk drive of the invention;  
 FIG. 4 depicts a front side view of the removable cartridge disk drive of the invention;  
 FIG. 5 depicts a back side view of the removable cartridge disk drive of the invention;  
 FIG. 6 depicts a right side view of the removable cartridge disk drive of the invention; and,  
 FIG. 7 depicts a left side view of the removable cartridge disk drive of the invention.

**1 Claim, 3 Drawing Sheets**



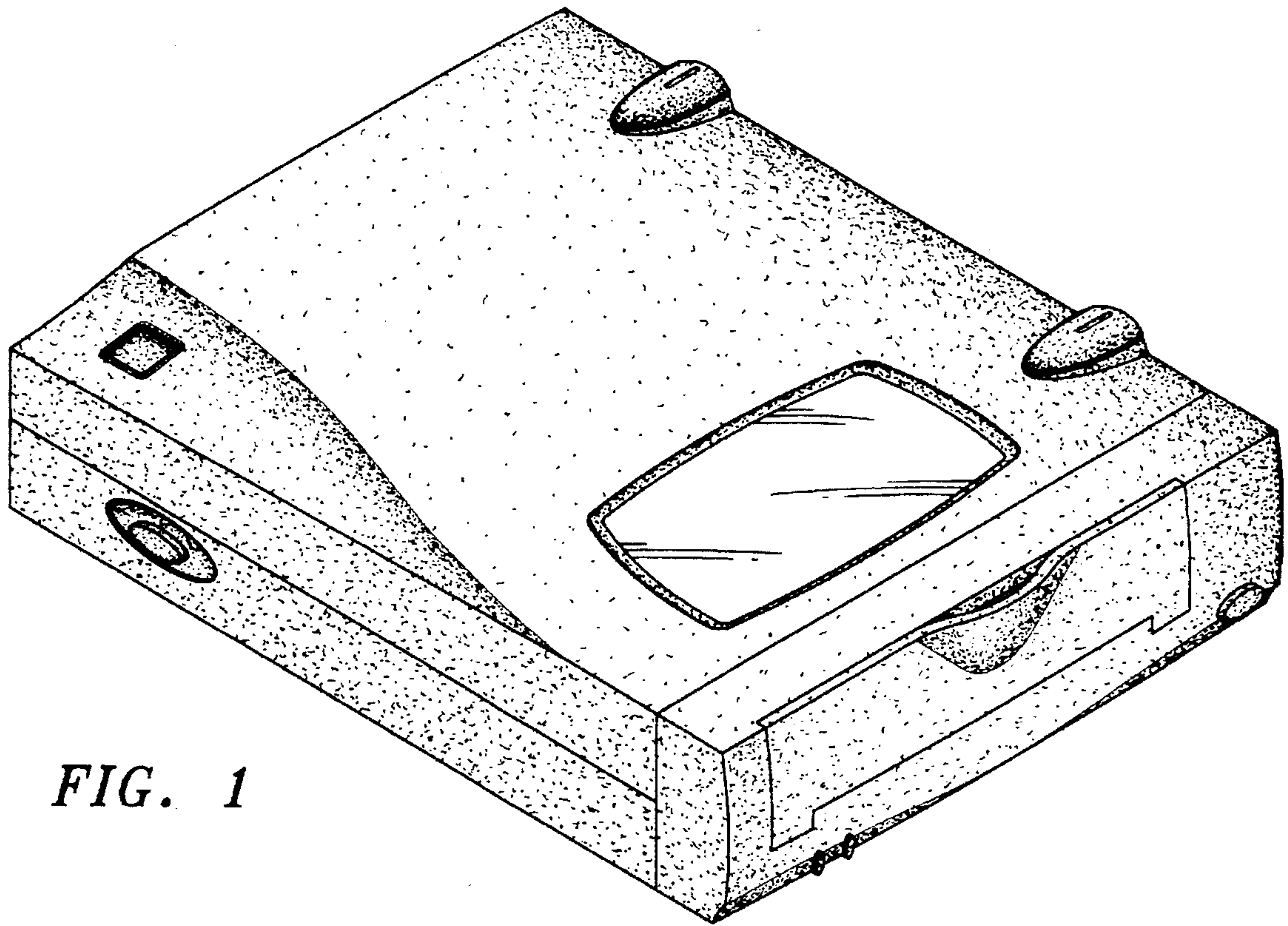


FIG. 1

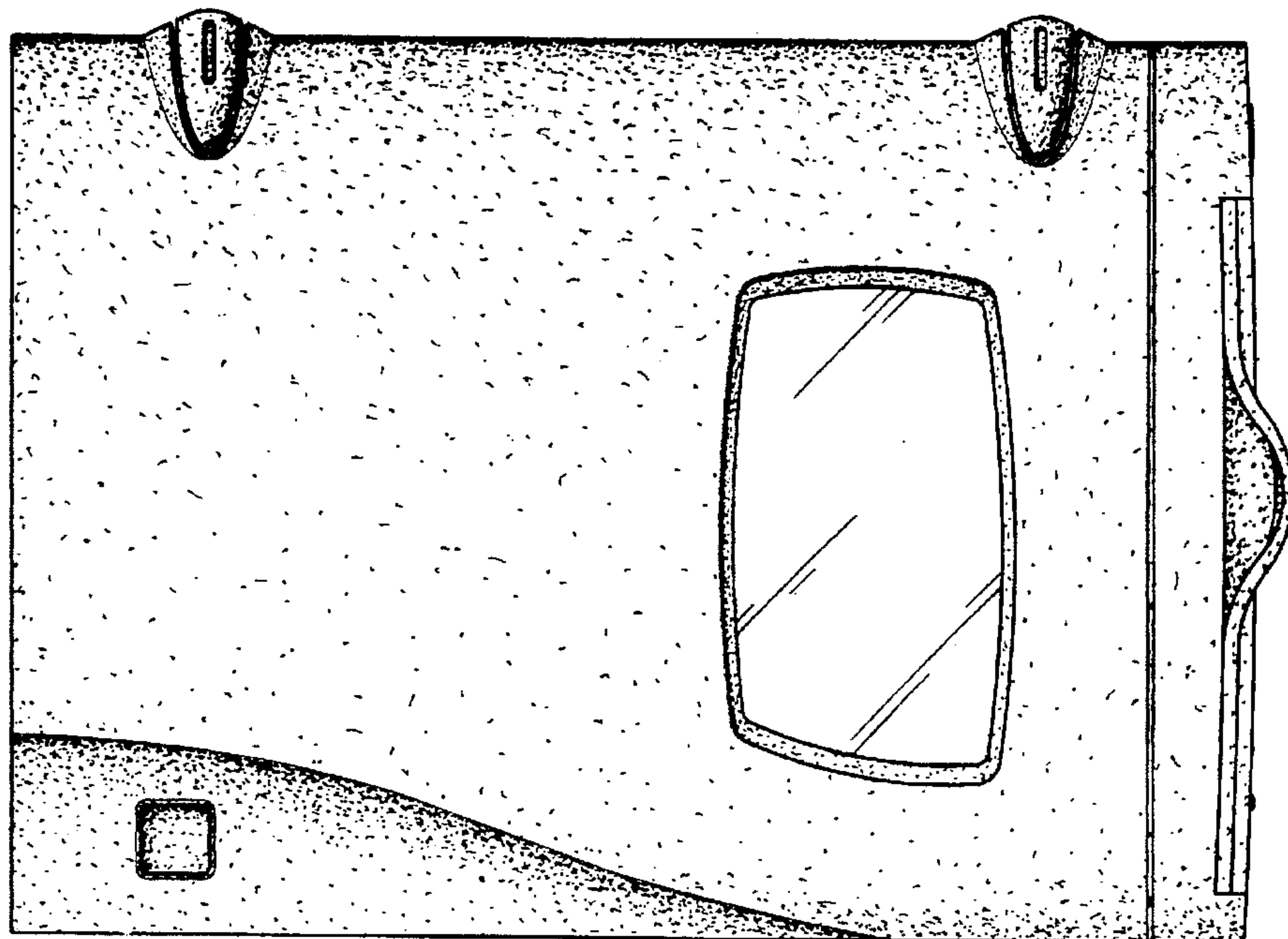


FIG. 2



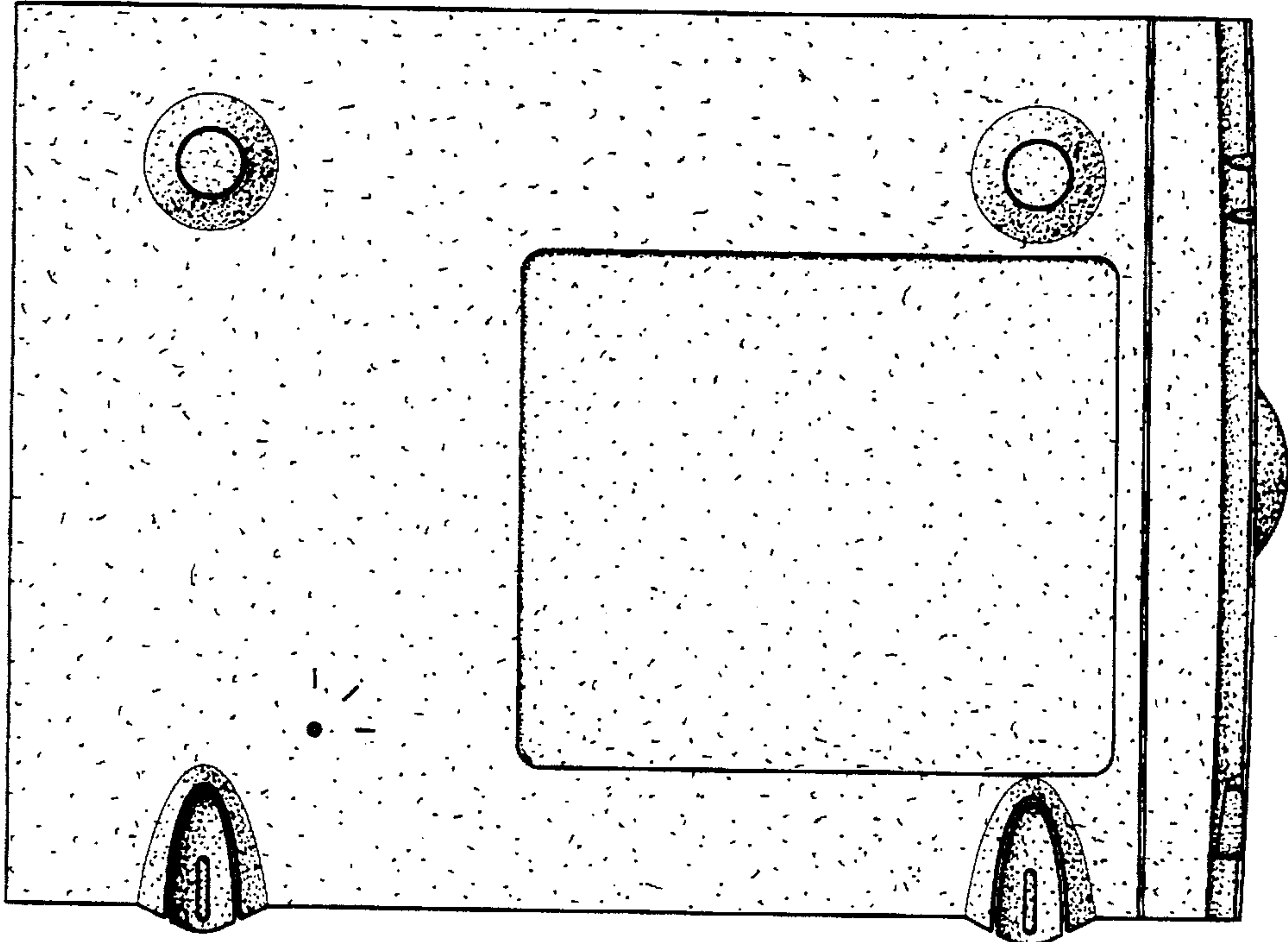


FIG. 3

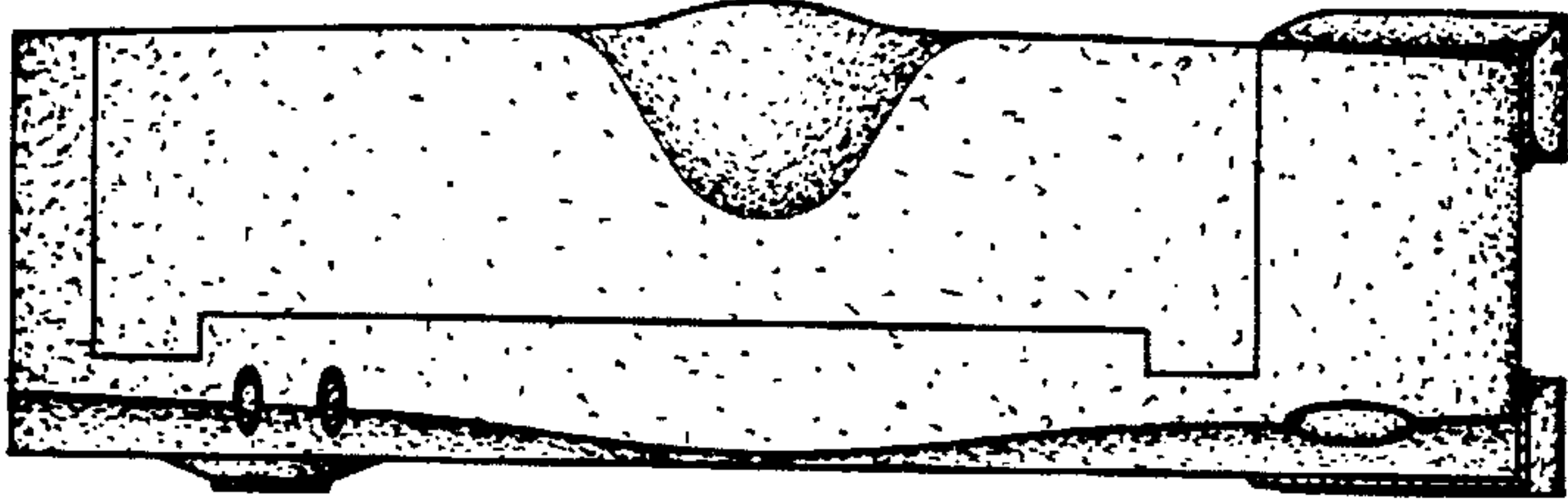


FIG. 4

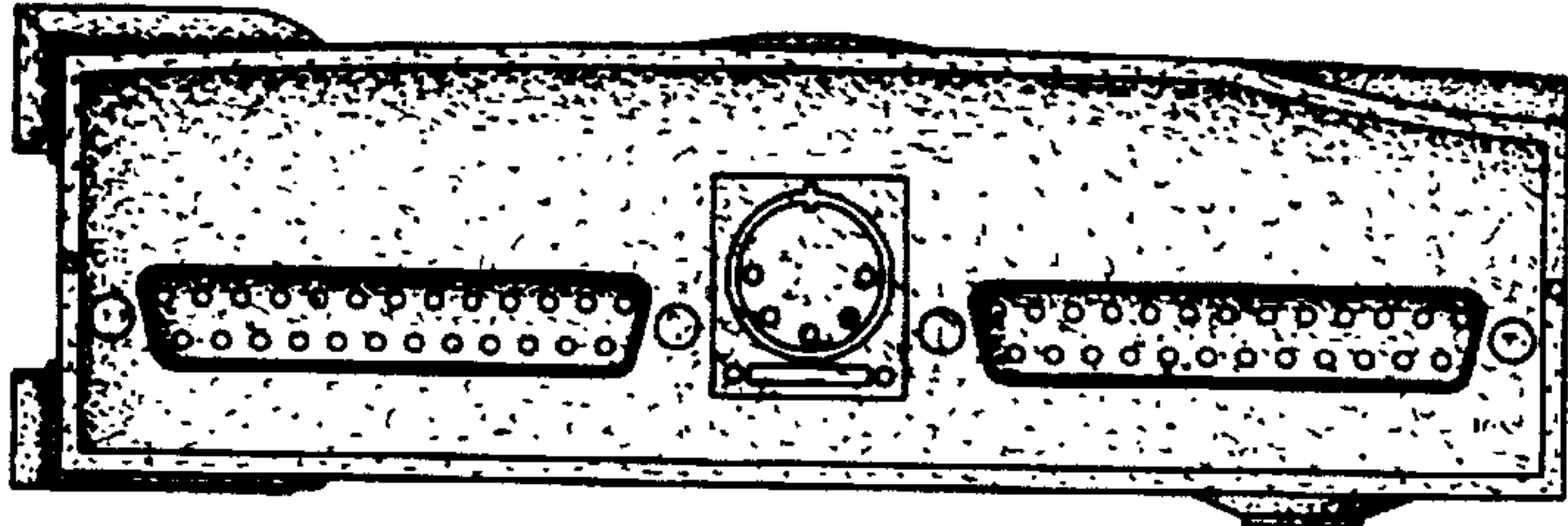


FIG. 5

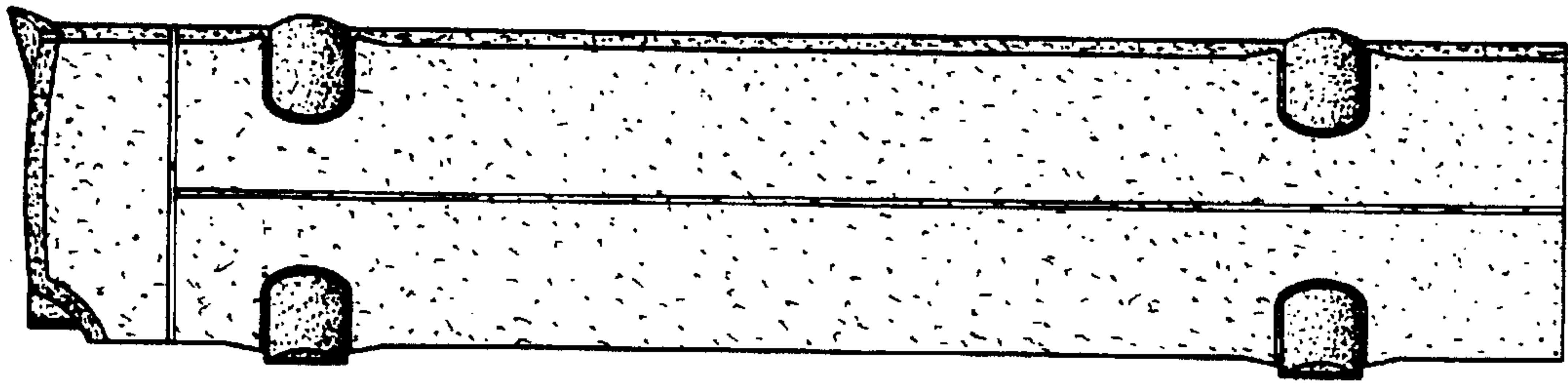


FIG. 6

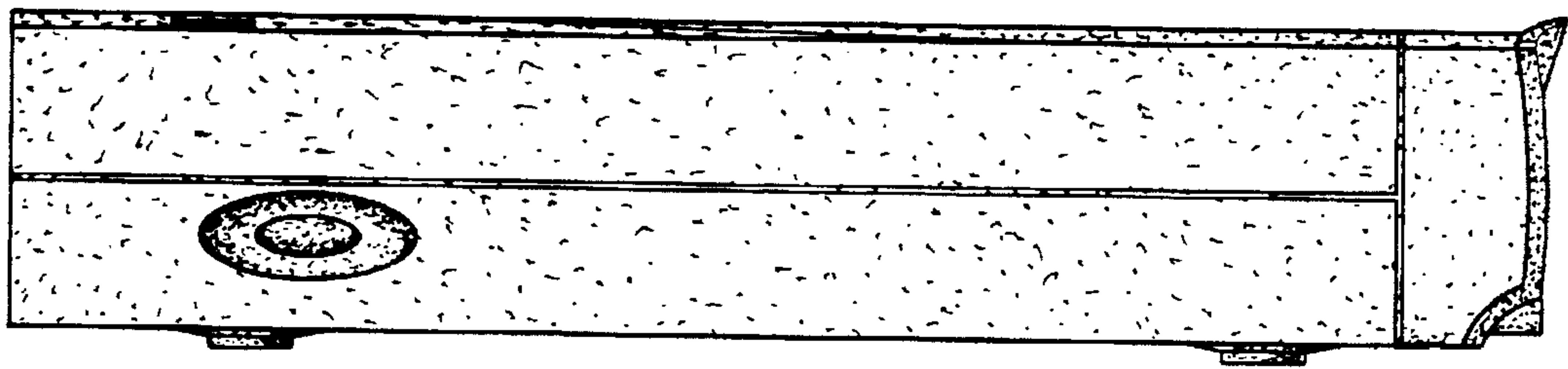


FIG. 7