



US00D383451S

United States Patent [19]

[11] Patent Number: **Des. 383,451**

Tsuyuki et al.

[45] Date of Patent: ****Sep. 9, 1997**

[54] **DISC DRIVE**

D. 371,121 6/1996 Hayami et al. D14/107
5,105,414 4/1992 Funabashi et al. D14/109 X

[75] Inventors: **Shinji Tsuyuki; Kazutomo Imi;**
Ken'ichi Furukawa, all of Kanagawa;
Atsushi Kirii, Yamagata, all of Japan

OTHER PUBLICATIONS

Yamaha Brochure "CDR 100 CR Recorder/Reader Unit", 5 pages, 1993.

[73] Assignee: **Mitsumi Electric Co., Ltd.**, Tokyo, Japan

Primary Examiner—Freda Nunn
Attorney, Agent, or Firm—Hill, Steadman & Simpson

[**] Term: **14 Years**

[57] CLAIM

[21] Appl. No.: **48,690**

The ornamental design for a disc drive, as shown and described.

[22] Filed: **Jan. 11, 1996**

DESCRIPTION

[51] LOC (6) Cl. **14-02**

[52] U.S. Cl. **D14/109**

[58] **Field of Search** D14/100, 102,
D14/107-109; D13/162, 184, 199; D6/432,
436, 445, 448; 312/208.1; 361/680-695

FIG. 1 is a perspective view of a disc drive showing our new design;

FIG. 2 is another perspective view thereof with a tray being shown extending therefrom;

FIG. 3 is a front view thereof;

FIG. 4 is a rear view thereof;

FIG. 5 is a top plan view thereof;

FIG. 6 is a bottom view thereof;

FIG. 7 is a left side view thereof; and,

FIG. 8 is a right side view thereof.

[56] References Cited

U.S. PATENT DOCUMENTS

D. 357,467 4/1995 Sakai et al. D14/109
D. 360,197 7/1995 Ikenaga D14/109 X
D. 366,471 1/1996 Ito et al. D14/109
D. 370,895 6/1996 Ito et al. D14/109

1 Claim, 6 Drawing Sheets

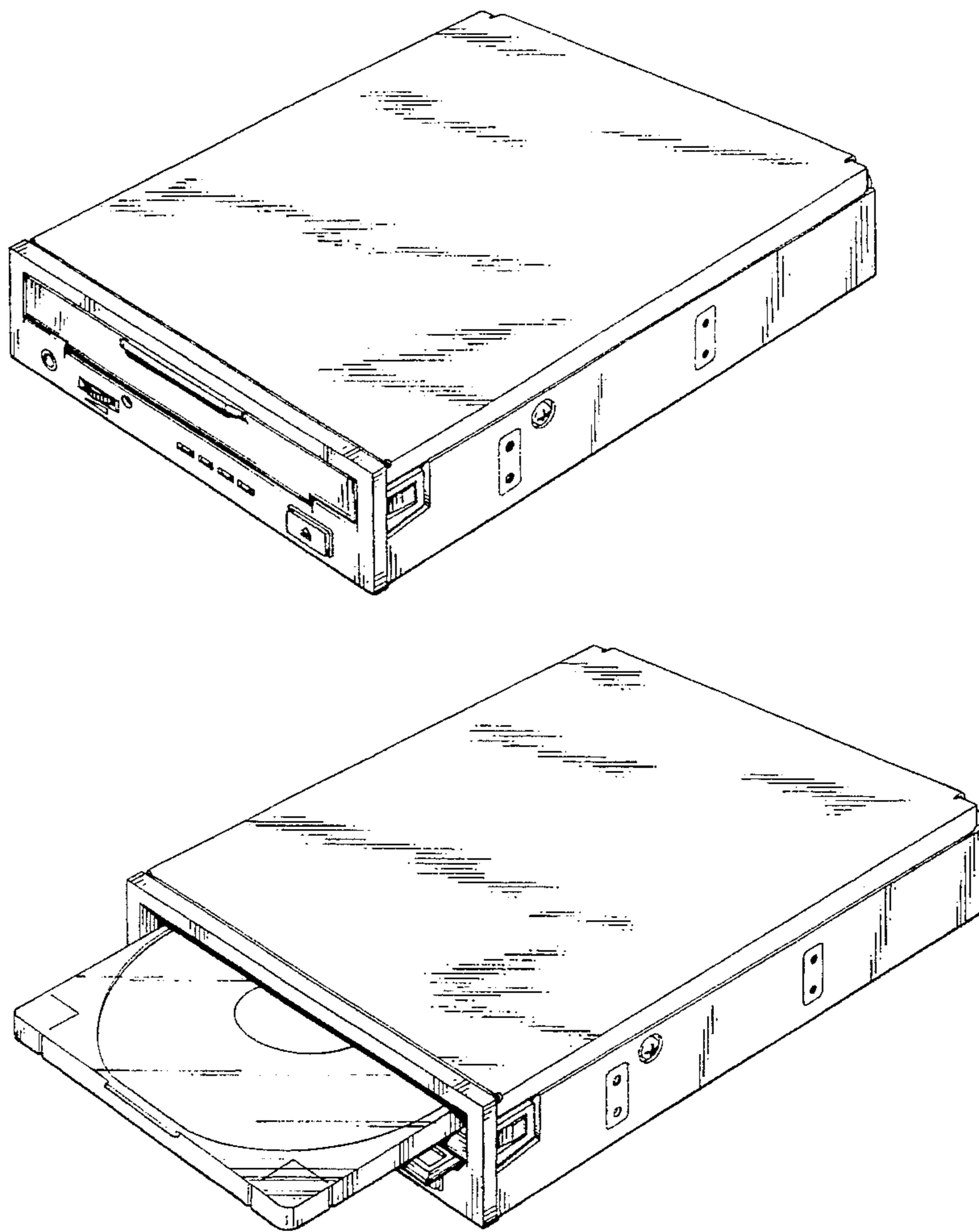


FIG.1

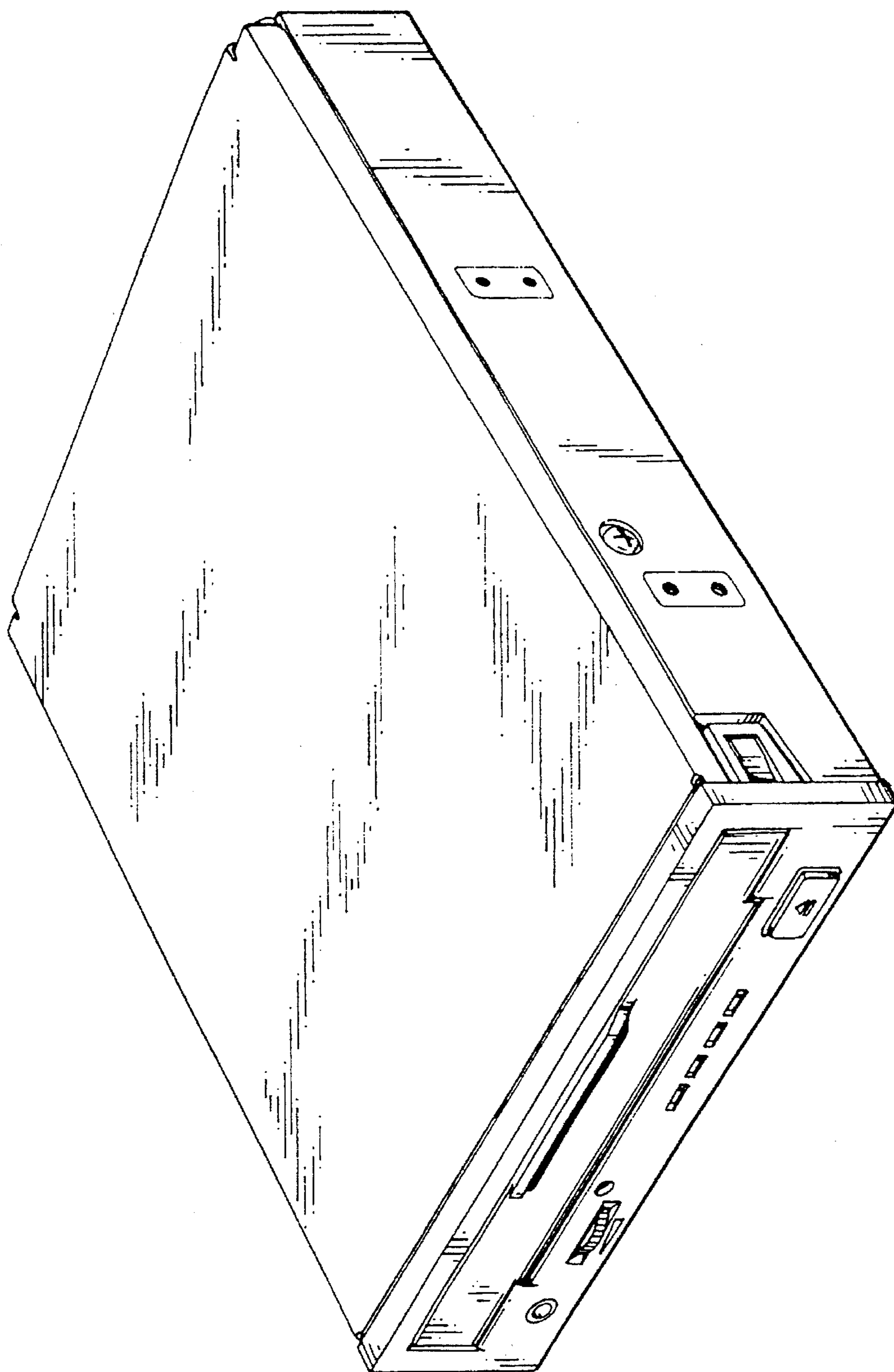


FIG. 2

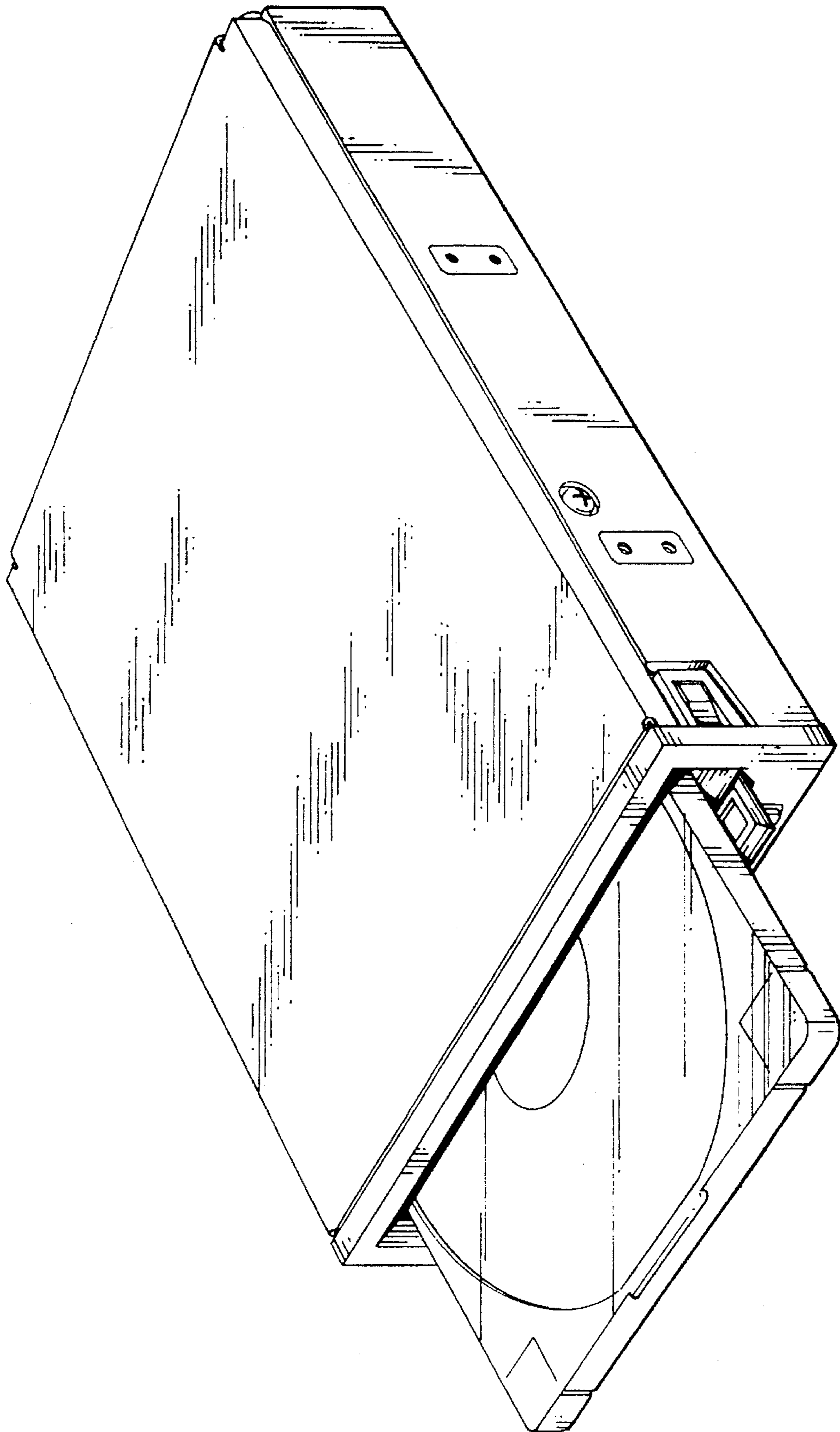


FIG.3

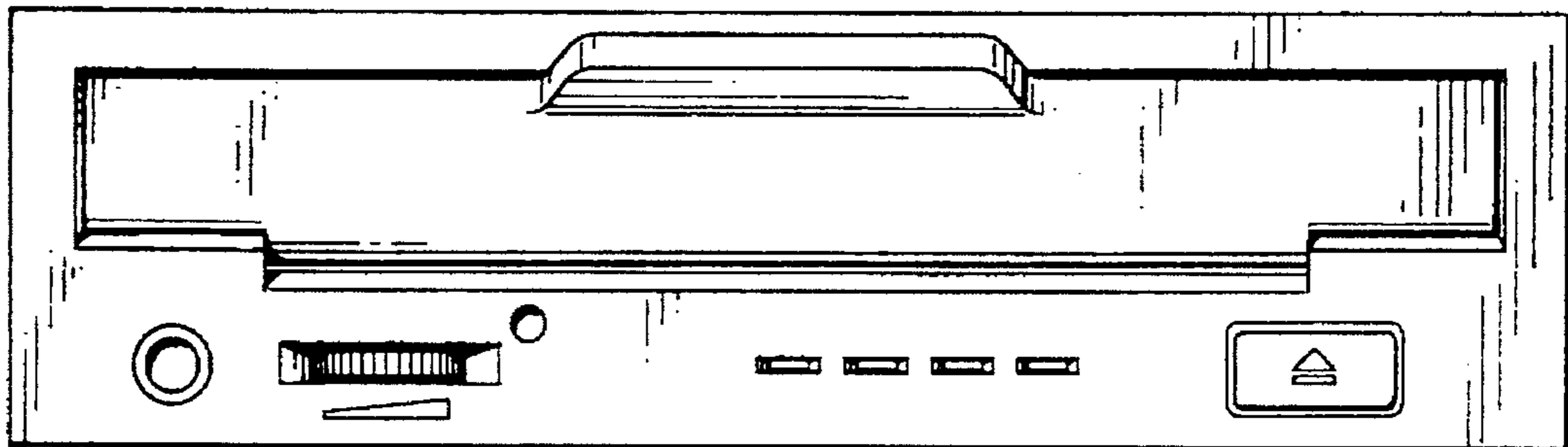


FIG.4

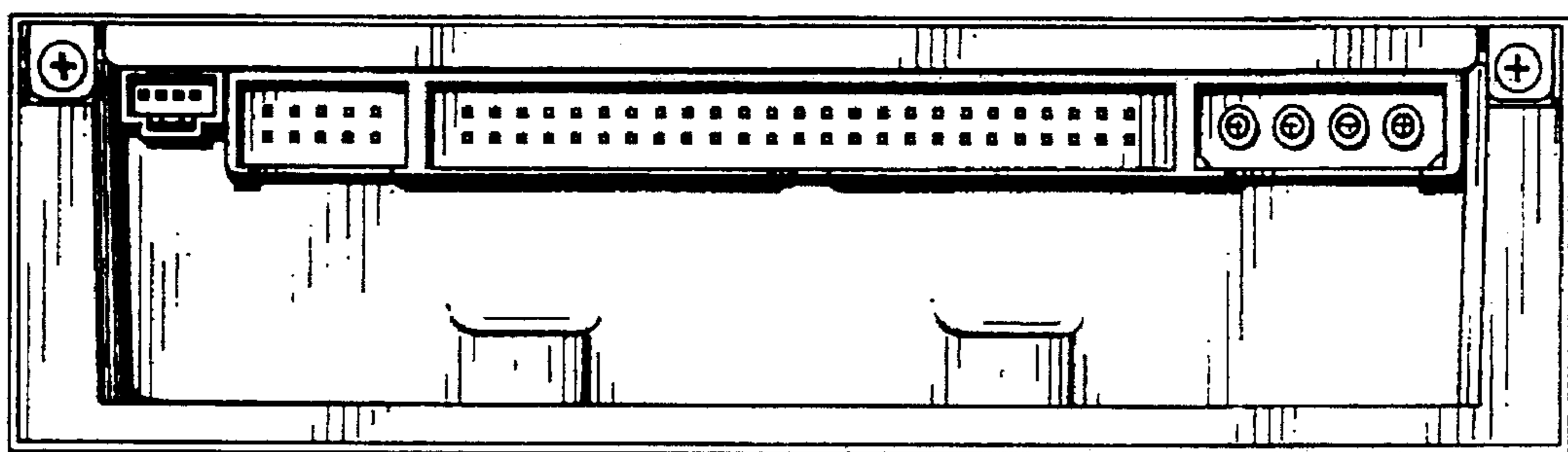


FIG.5

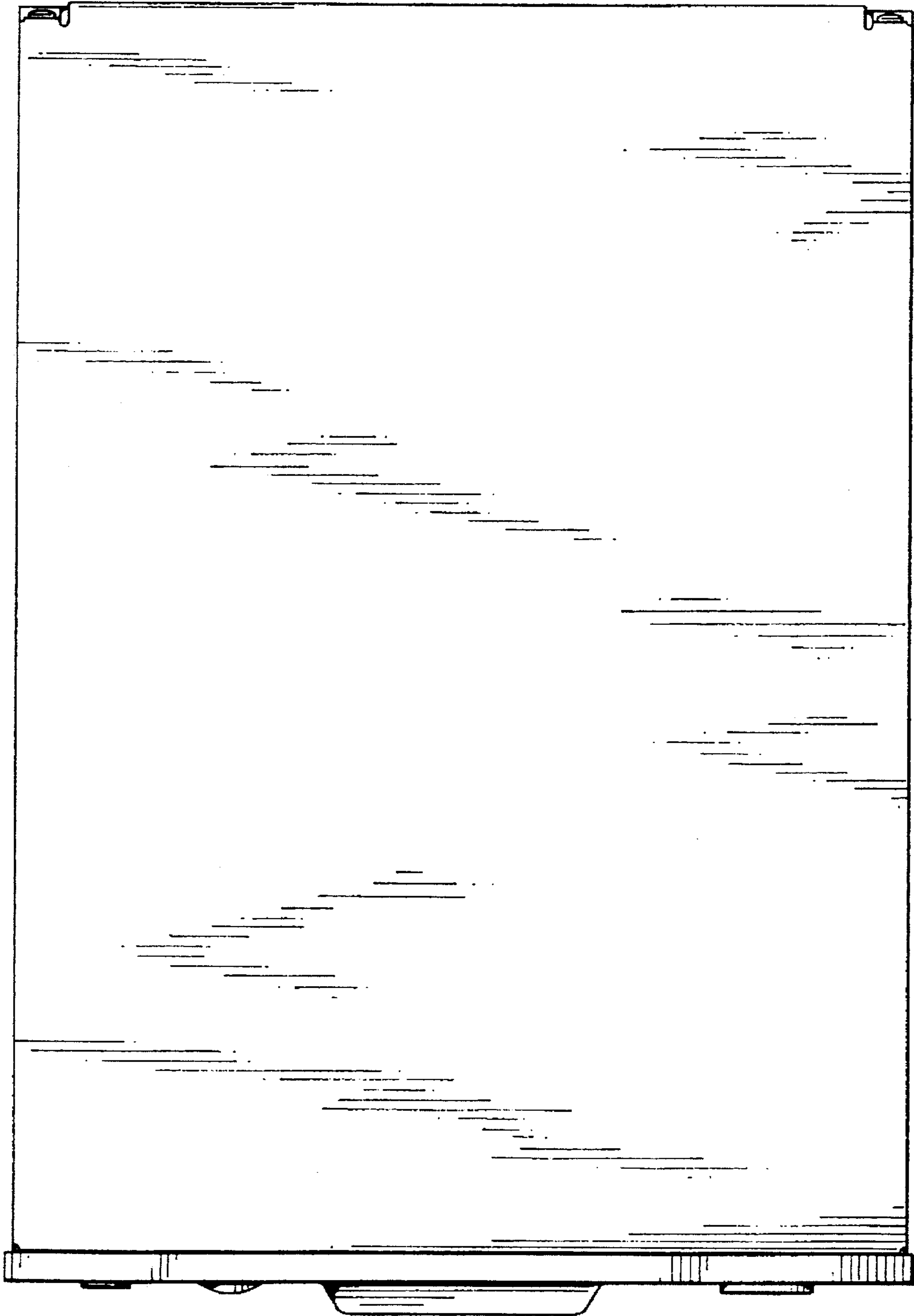


FIG 6

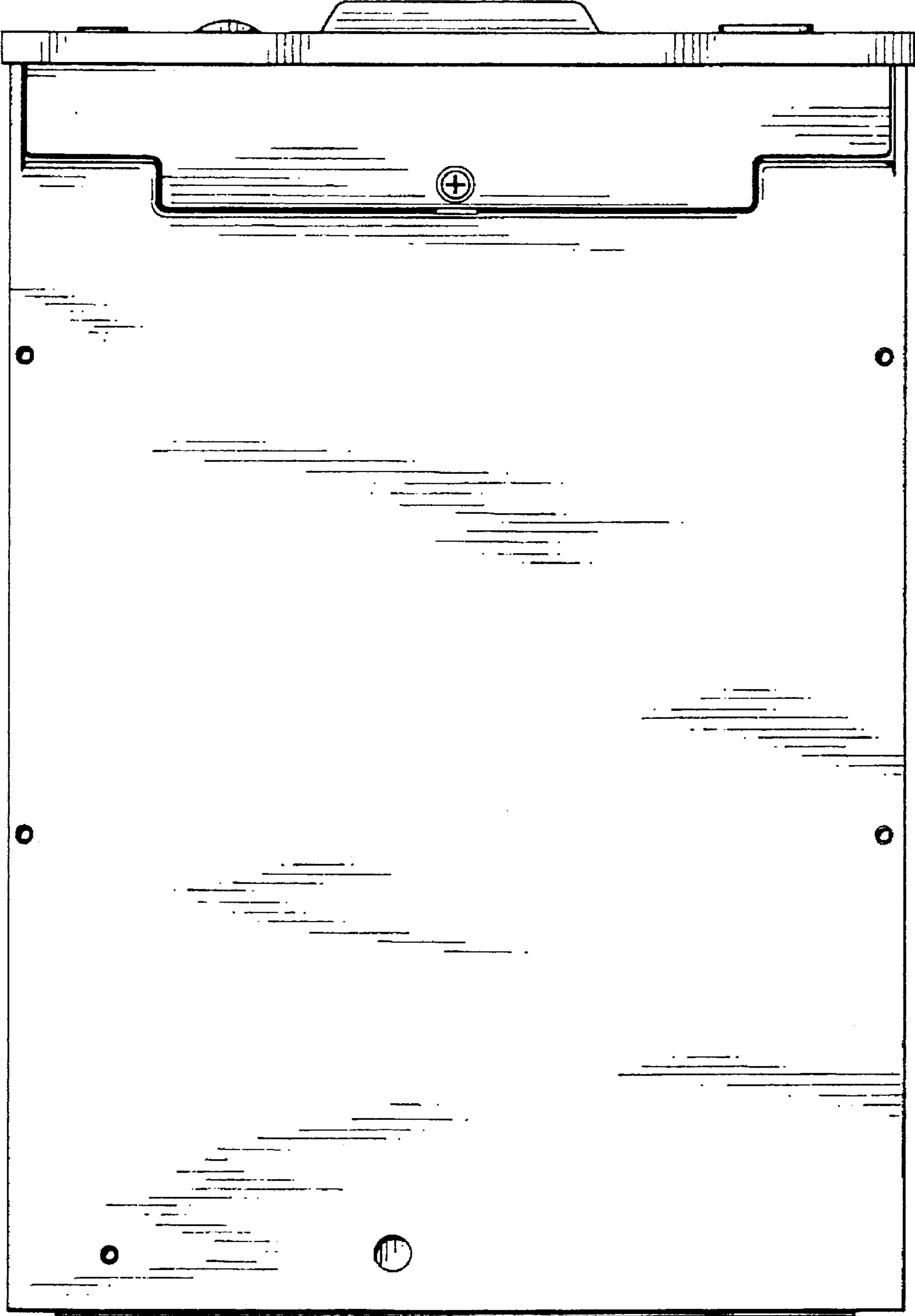


FIG.7

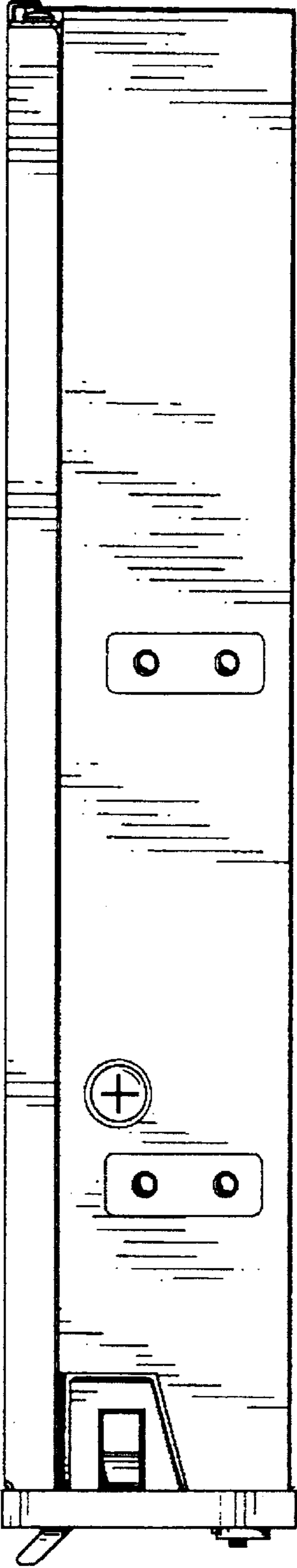


FIG.8

