



US00D383446S

# United States Patent [19] Han

[11] Patent Number: **Des. 383,446**  
[45] Date of Patent: **\*\*Sep. 9, 1997**

[54] **PERSONAL COMPUTER**  
[75] Inventor: **In-Seok Han**, Seoul, Rep. of Korea  
[73] Assignee: **Daewoo Telecom Ltd.**, Seoul, Rep. of Korea  
[\*\*] Term: **14 Years**

D. 331,569 12/1992 Hong ..... D14/100  
D. 331,570 12/1992 Koiwa ..... D14/100  
D. 358,134 5/1995 Kimbrough et al. .... D14/100

*Primary Examiner*—Freda Nunn  
*Attorney, Agent, or Firm*—Anderson Kill & Olick P.C.

[21] Appl. No.: **52,457**  
[22] Filed: **Mar. 25, 1996**  
[30] **Foreign Application Priority Data**  
Sep. 30, 1995 [KR] Rep. of Korea ..... 9518445  
[51] **LOC (6) Cl.** ..... **14-02**  
[52] **U.S. Cl.** ..... **D14/100**  
[58] **Field of Search** ..... D14/100, 102,  
D14/107-109; D13/162, 184, 199; D6/432,  
436, 445, 448; 312/208.1; 360/99.01; 361/690-695

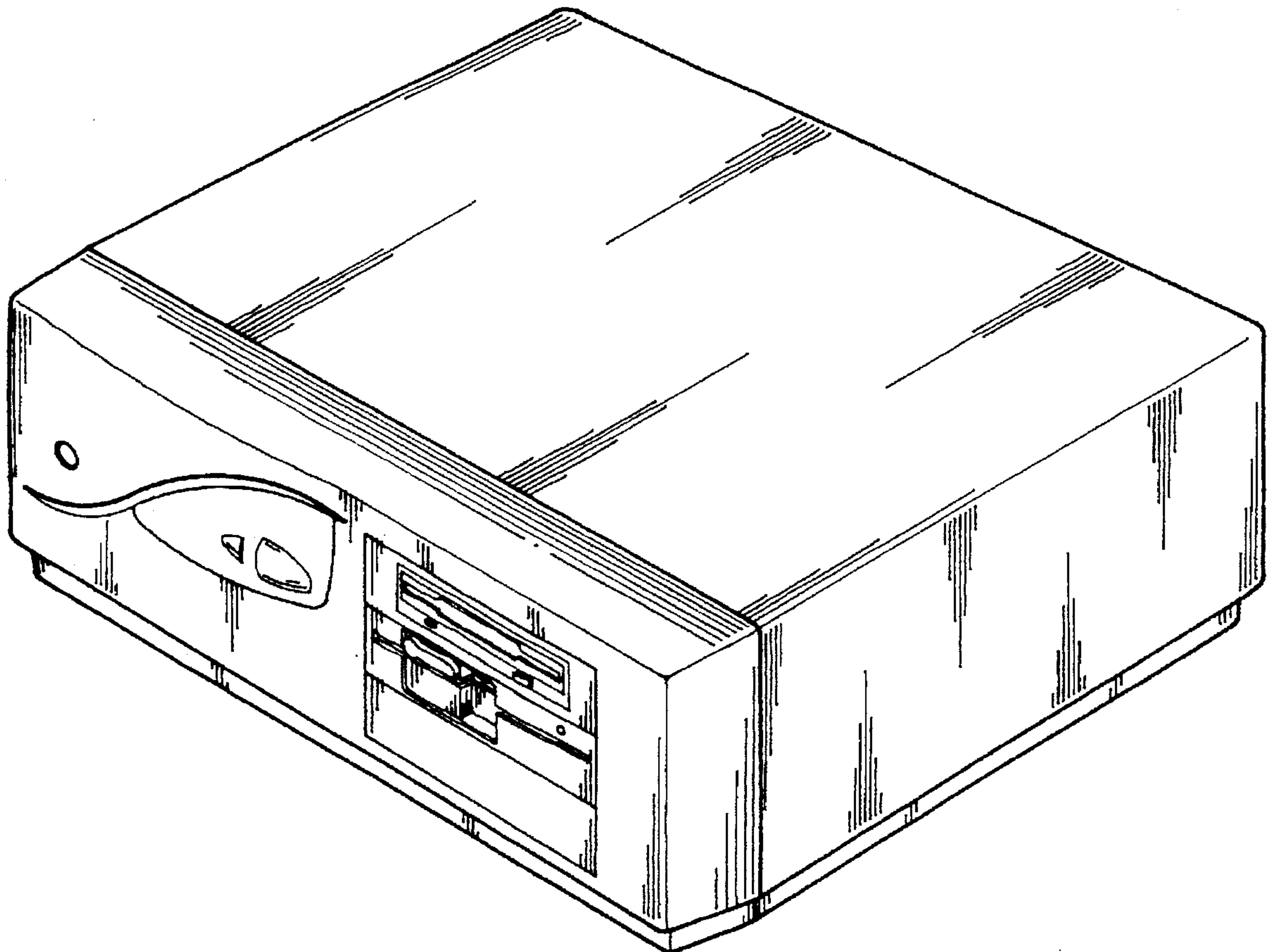
[57] **CLAIM**  
The ornamental design for a personal computer, as shown and described.

### DESCRIPTION

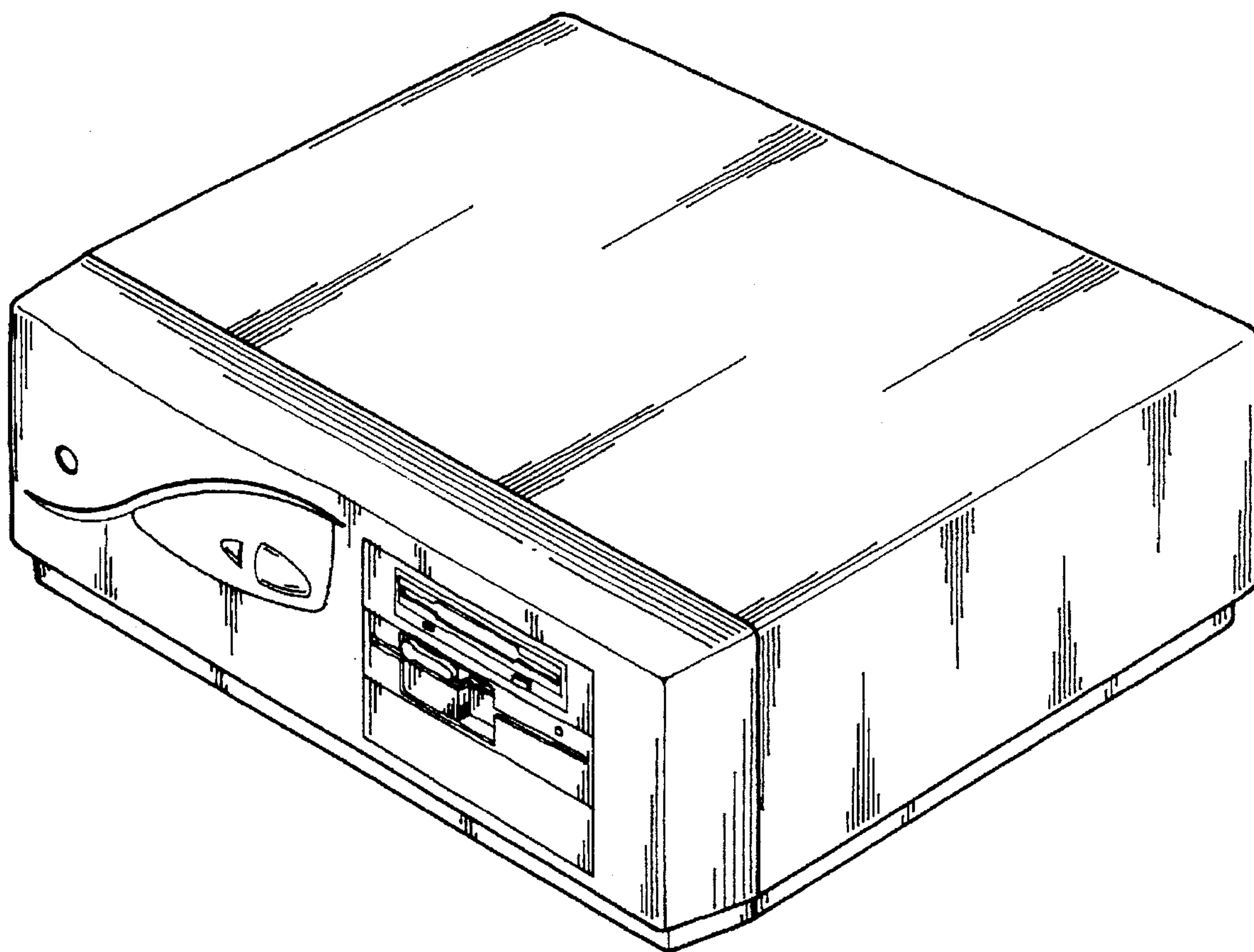
FIG. 1 is a perspective view of a personal computer showing my new design;  
FIG. 2 is a front elevational view thereof;  
FIG. 3 is a top plan view thereof;  
FIG. 4 is a rear elevational view thereof;  
FIG. 5 is a bottom plan view thereof;  
FIG. 6 is a left side elevational view thereof; and,  
FIG. 7 is a right side elevational view thereof.

[56] **References Cited**  
**U.S. PATENT DOCUMENTS**  
D. 314,946 2/1991 Goodrich ..... D14/100

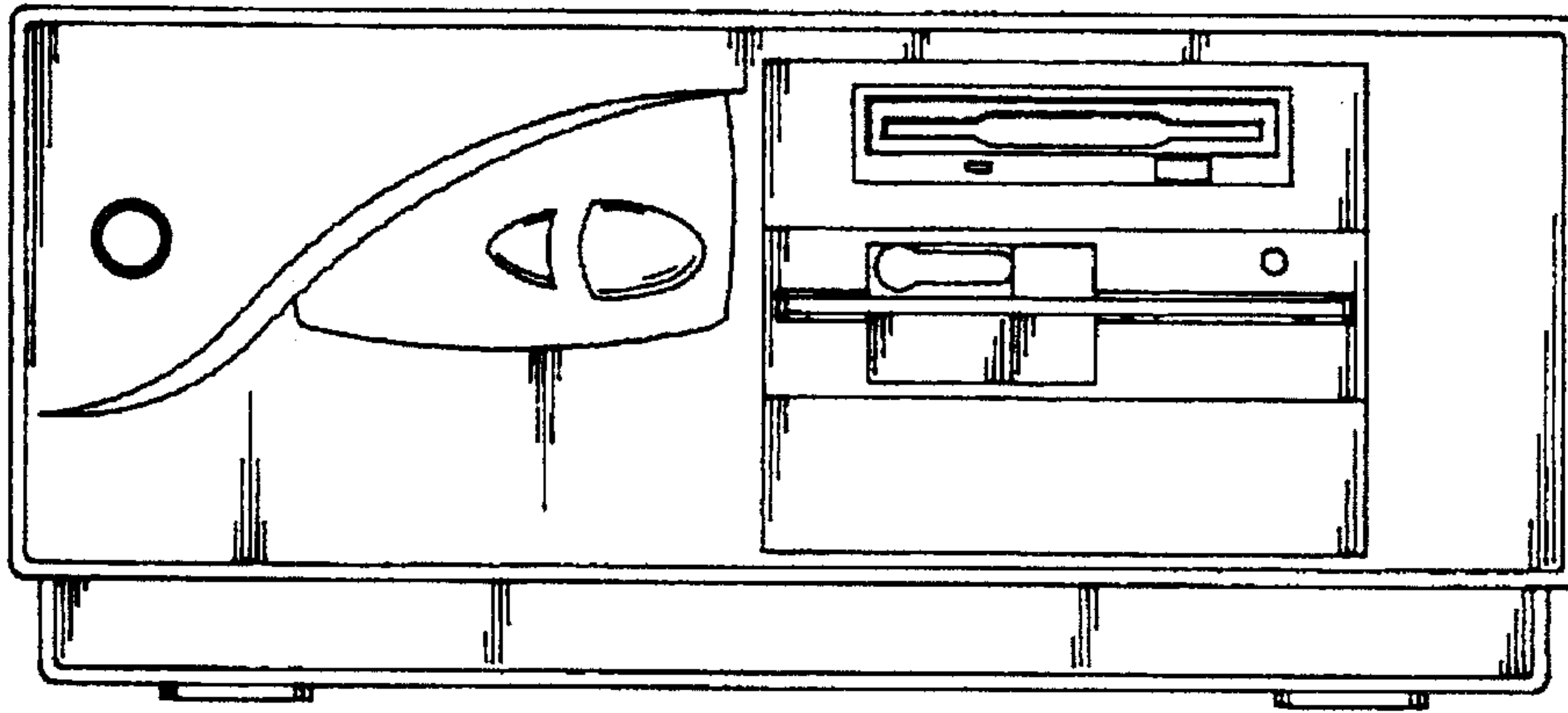
**1 Claim, 4 Drawing Sheets**



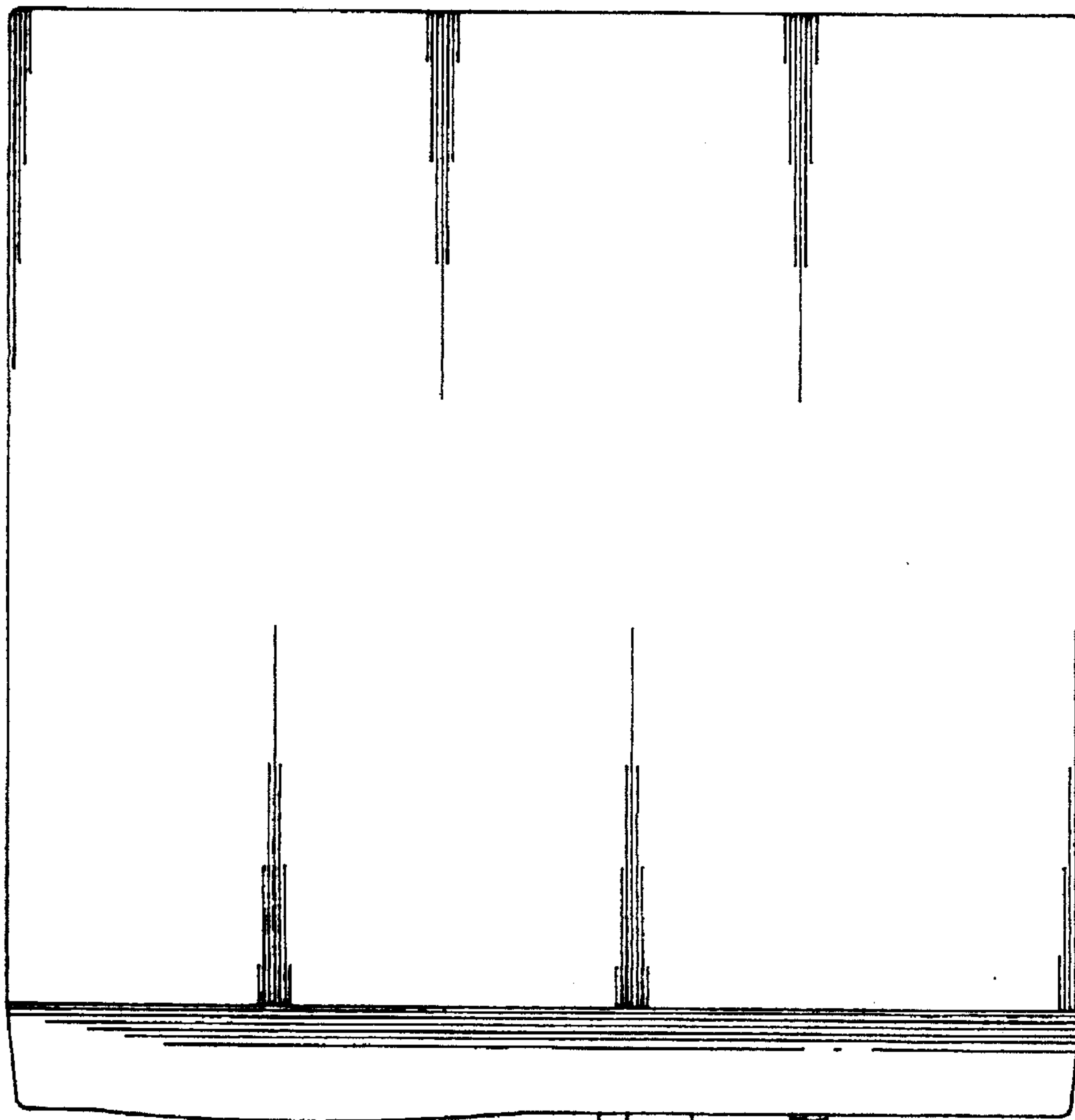
*FIG. 1*



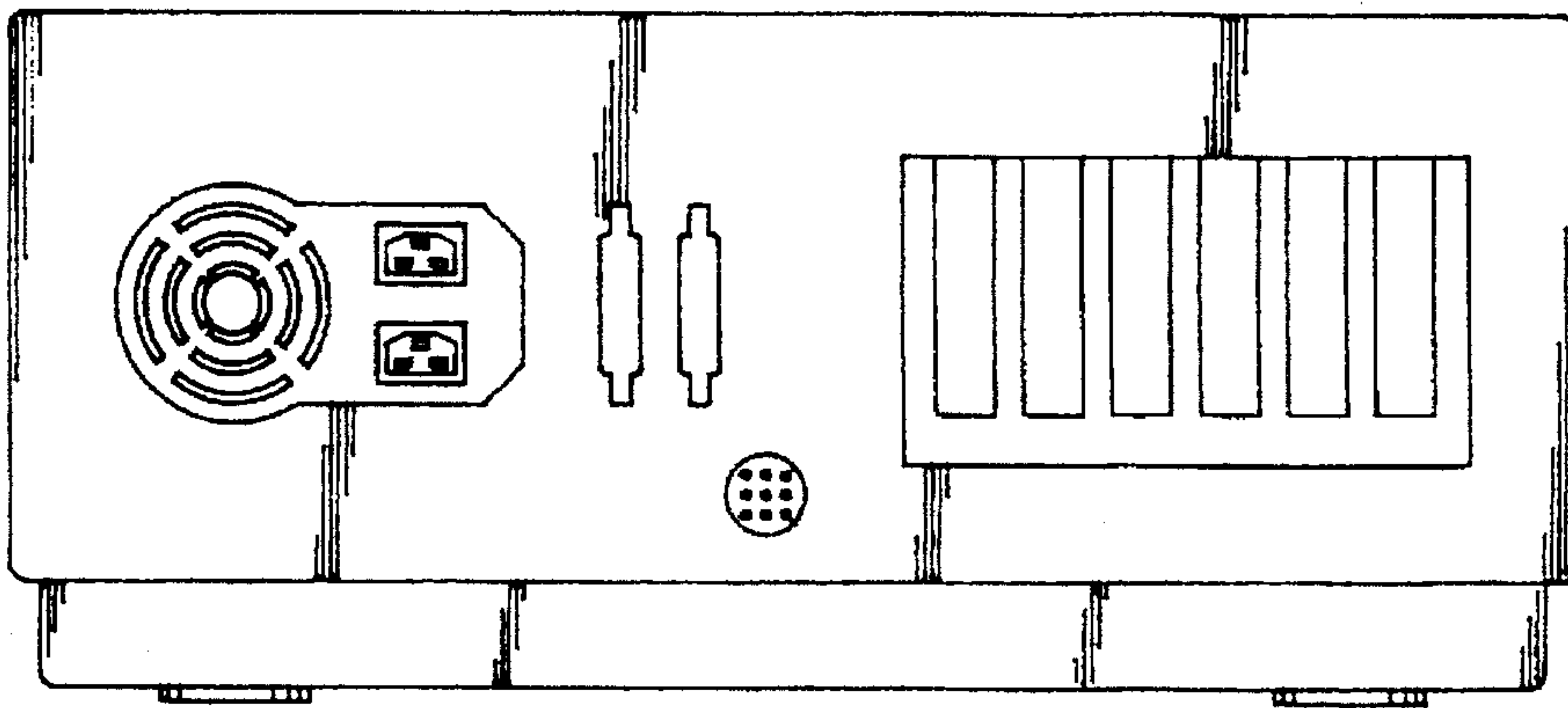
*FIG. 2*



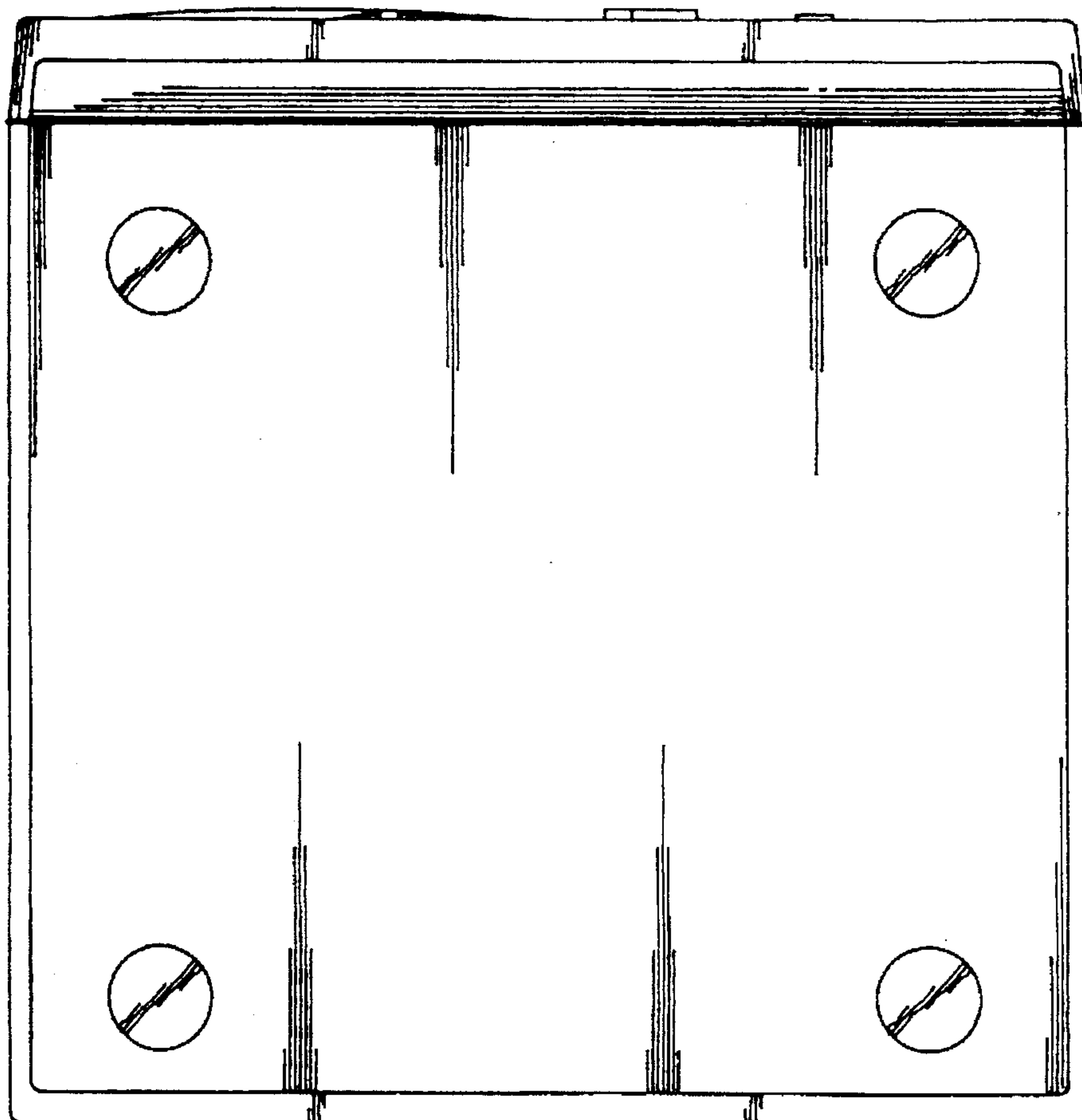
*FIG. 3*



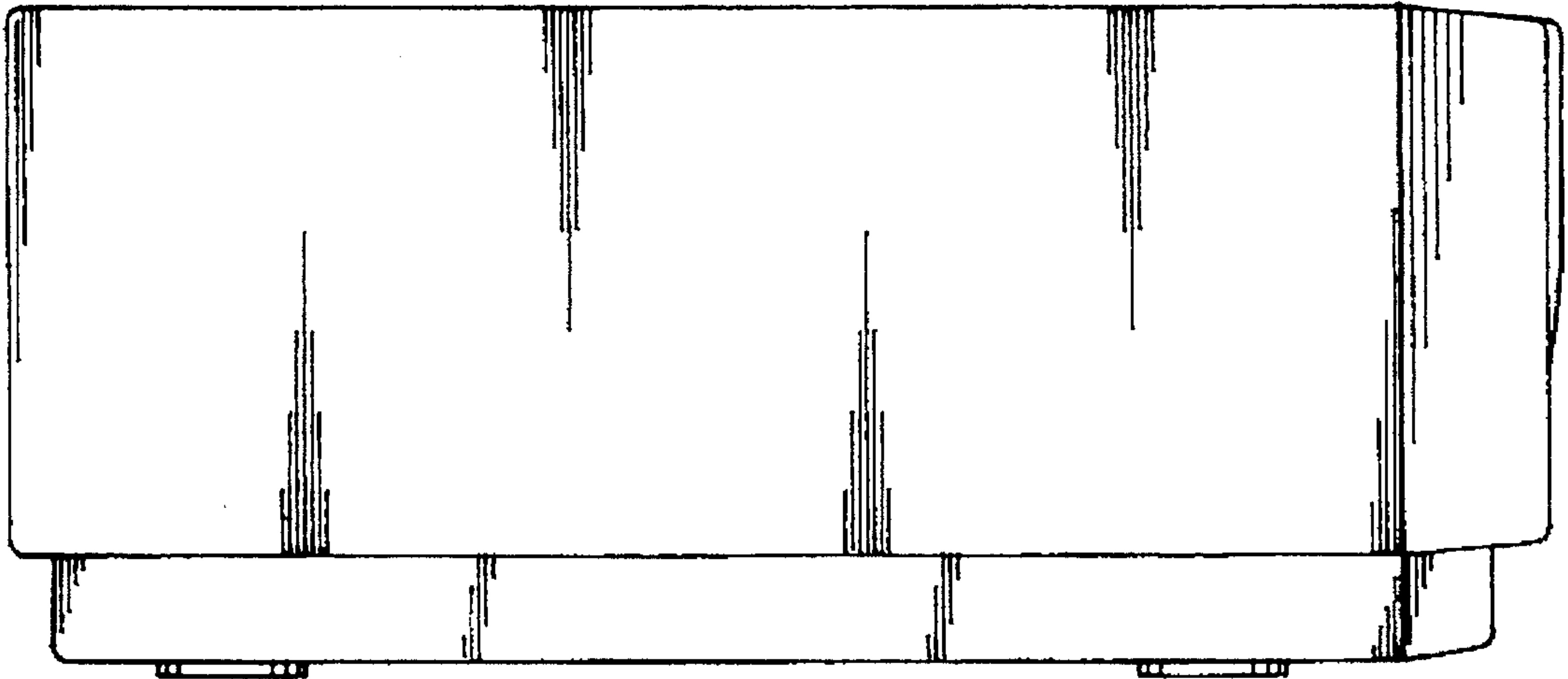
*FIG. 4*



*FIG. 5*



*FIG. 6*



*FIG. 7*

