



US00D383445S

United States Patent [19]

[11] Patent Number: **Des. 383,445**

Mousa

[45] Date of Patent: ****Sep. 9, 1997**

[54] **MIDRANGE MINI COMPUTER**

D. 344,931 3/1994 Mousa D14/100

[75] Inventor: **Badir M. Mousa**, Auburn, Calif.

D. 346,156 4/1994 Lee et al. D14/100

D. 348,656 7/1994 Bock et al. D14/102

[73] Assignee: **Hewlett-Packard Company**, Palo Alto, Calif.

Primary Examiner—Freda Nunn

[**] Term: **14 Years**

[57] CLAIM

[21] Appl. No.: **49,751**

The ornamental design for a midrange mini computer, as shown and described.

[22] Filed: **Jan. 30, 1996**

DESCRIPTION

[51] LOC (6) Cl. **14-02**

FIG. 1 is a front view of a midrange mini computer showing my new design;

[52] U.S. Cl. **D14/100**

FIG. 2 is a rear view thereof;

[58] **Field of Search** D14/100, 102,

FIG. 3 is a left view thereof;

D14/107-109; D13/162, 184, 199; D6/432,

FIG. 4 is a right view thereof;

436, 445, 448; 312/208.1, 223.2; 360/99.12;

FIG. 5 is a bottom view thereof;

361/694, 696

FIG. 6 is a top view thereof; and,

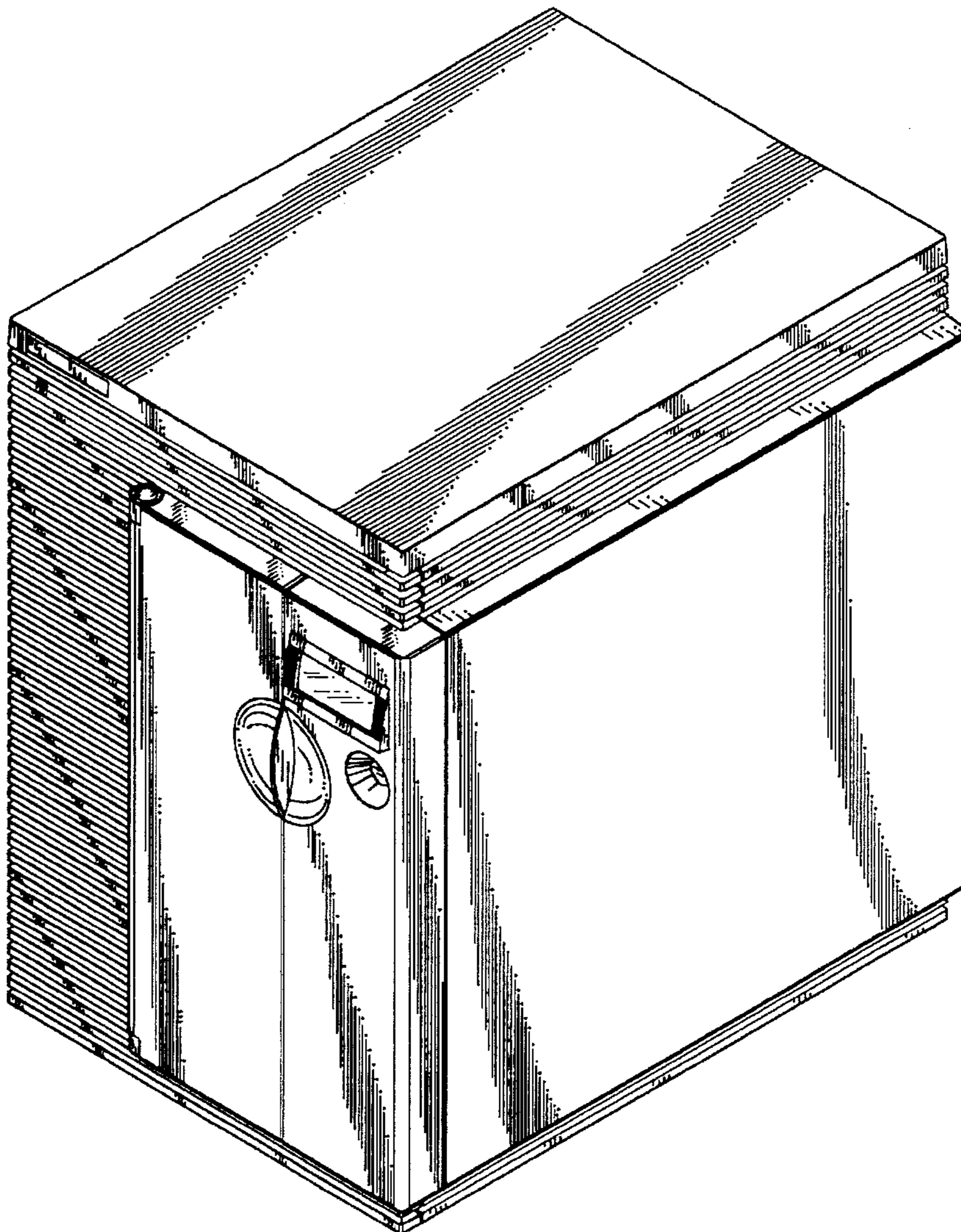
[56] **References Cited**

FIG. 7 is a perspective view thereof.

U.S. PATENT DOCUMENTS

D. 342,484 12/1993 Kuba D14/100

1 Claim, 5 Drawing Sheets



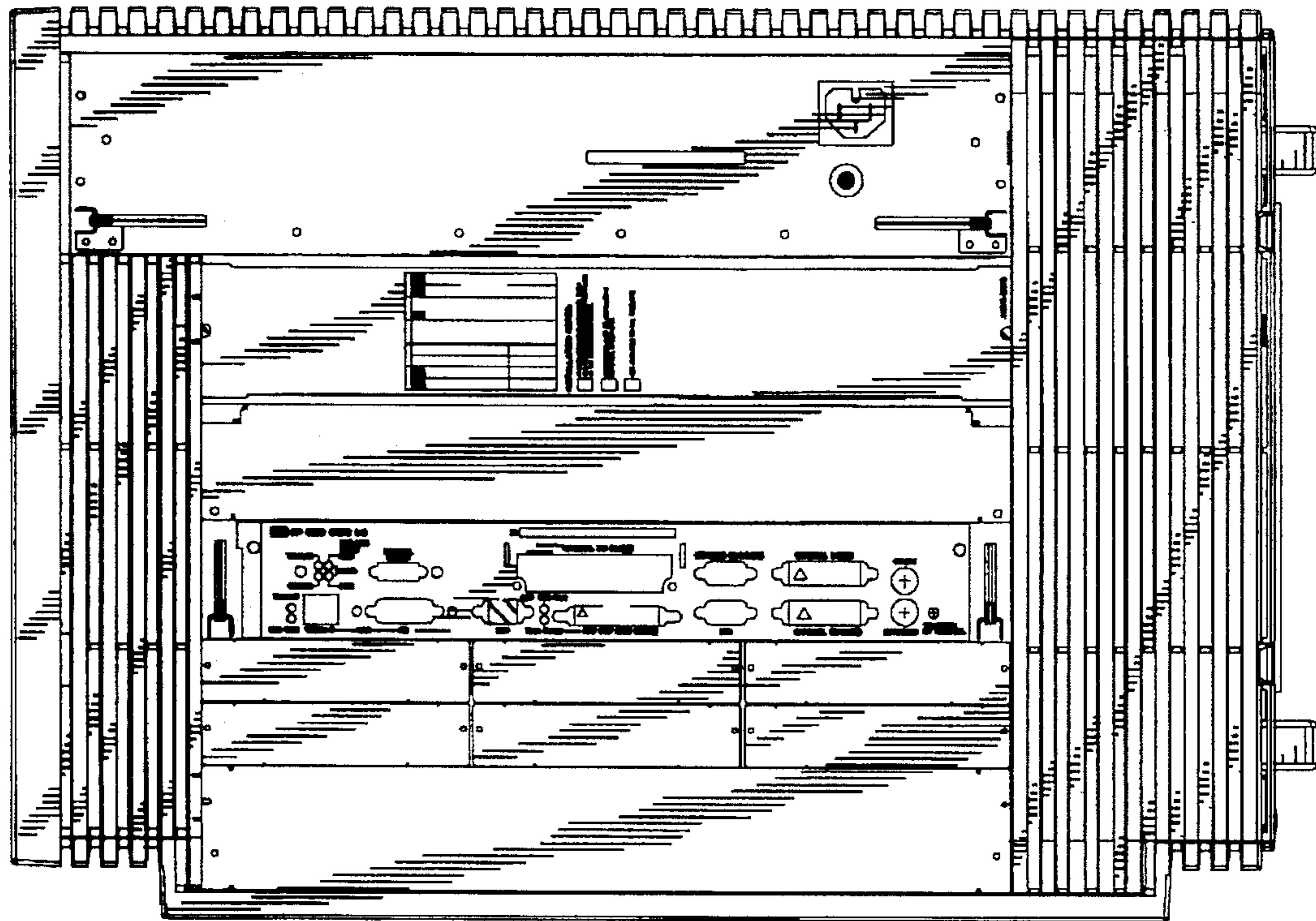


FIG. 2

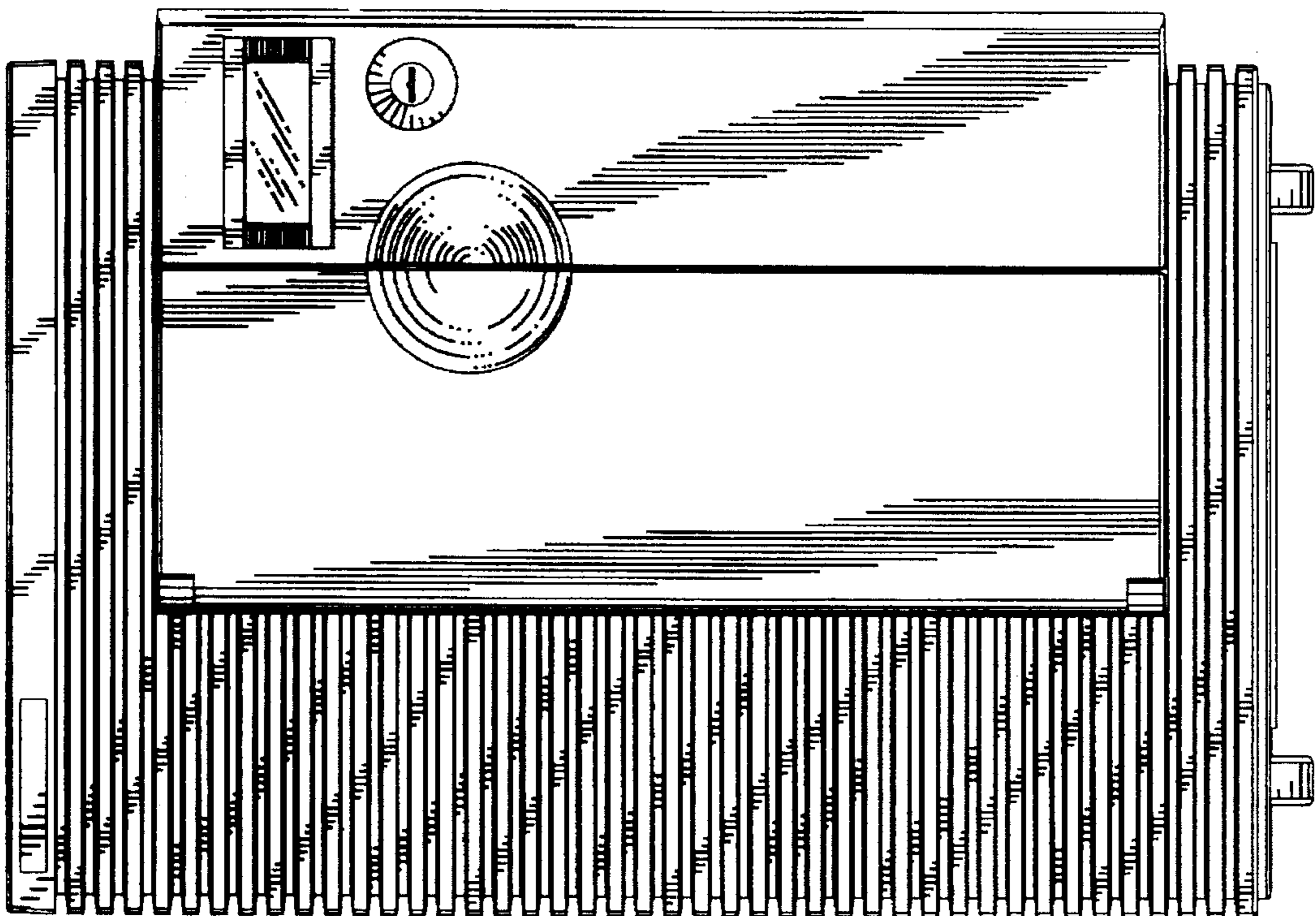


FIG. 1

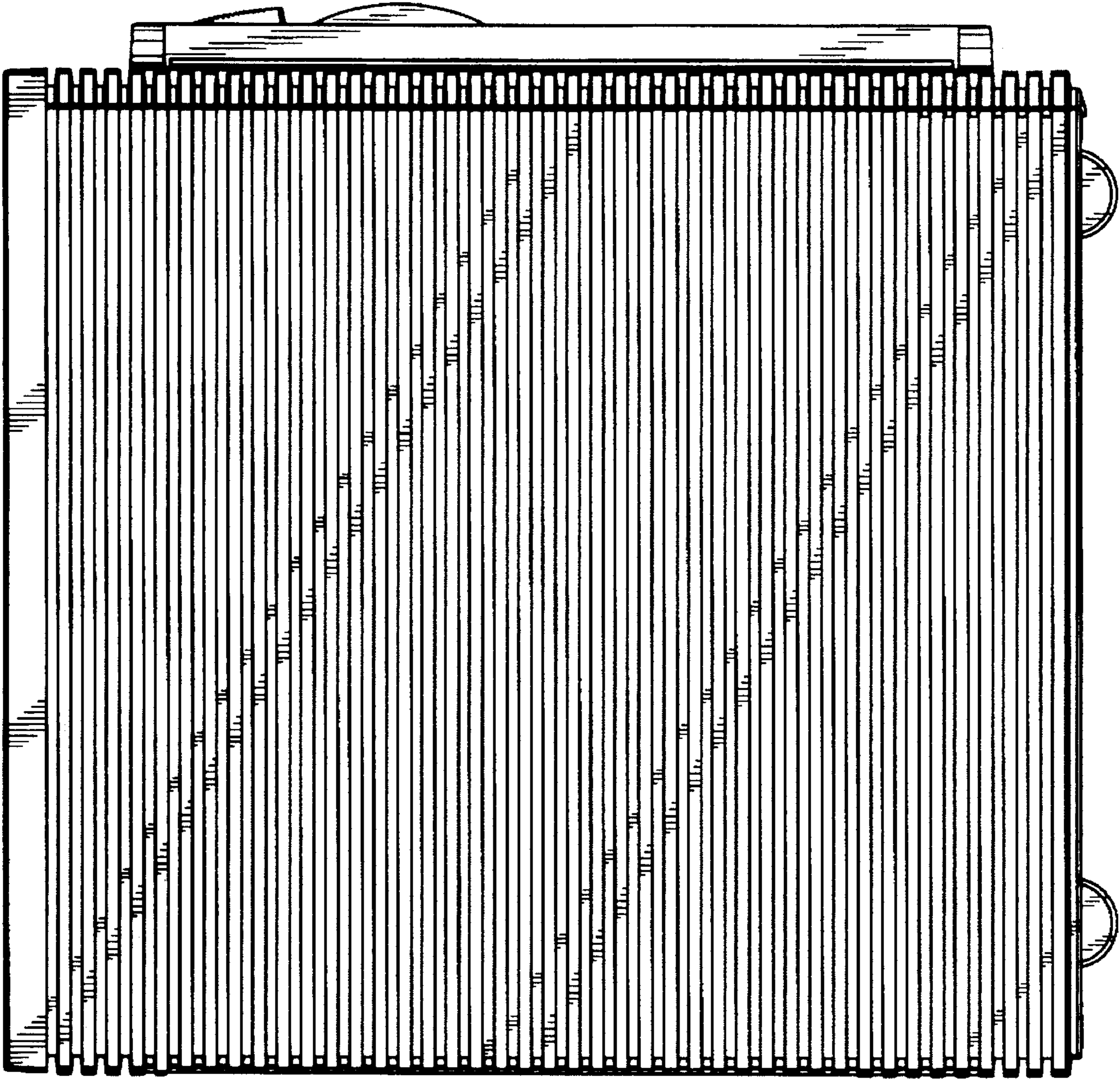


FIG. 3

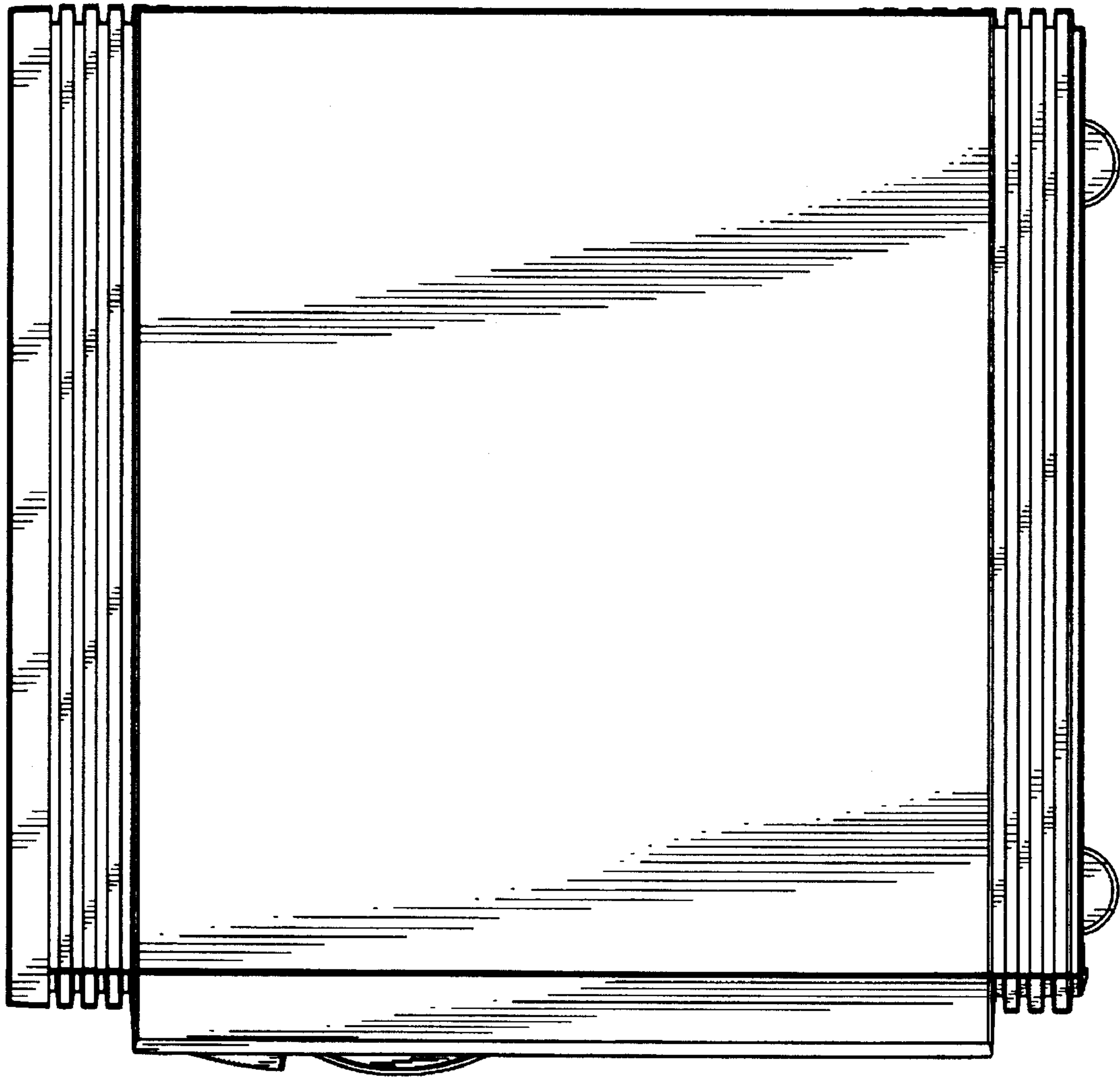


FIG. 4

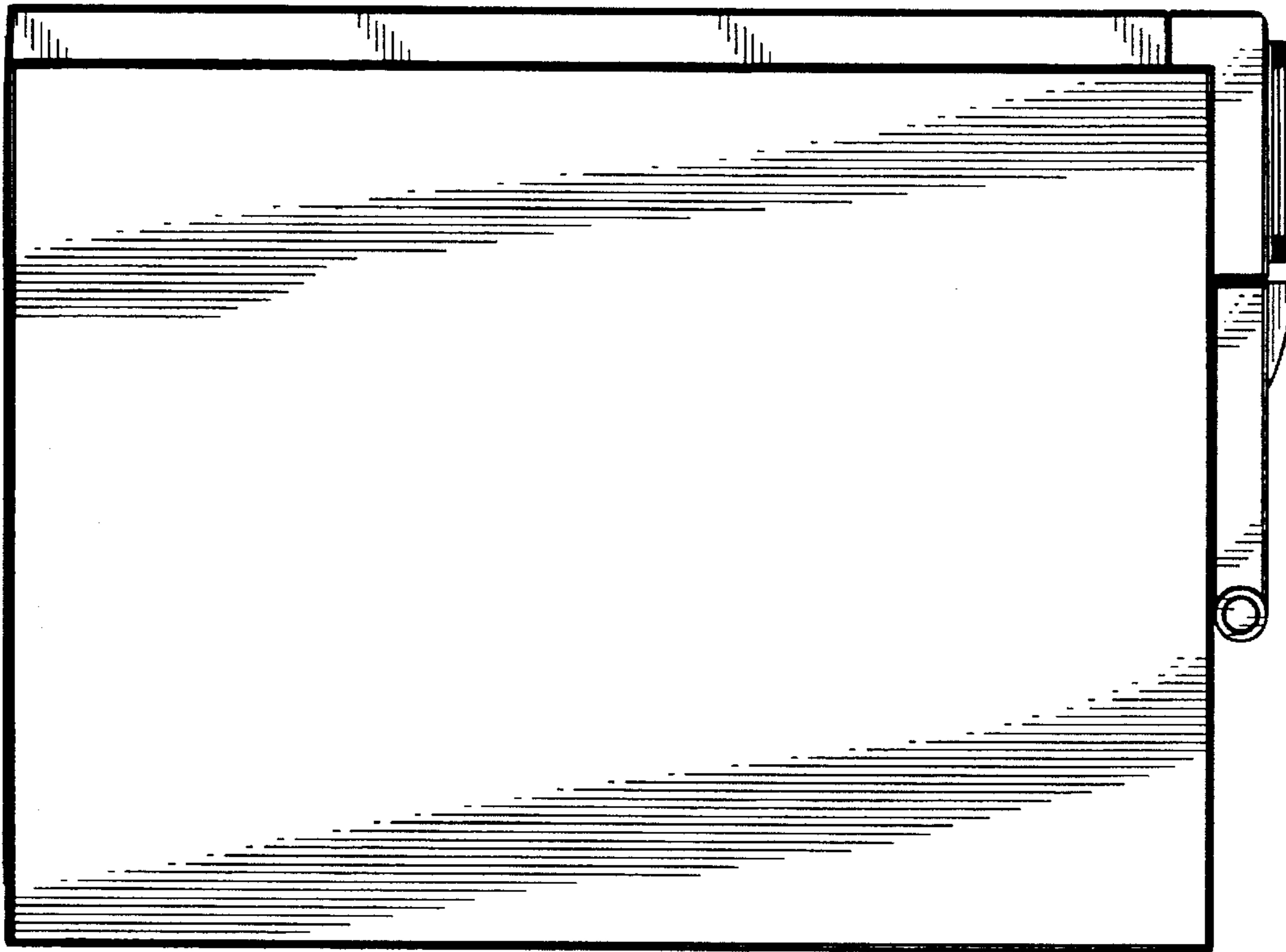


FIG. 6

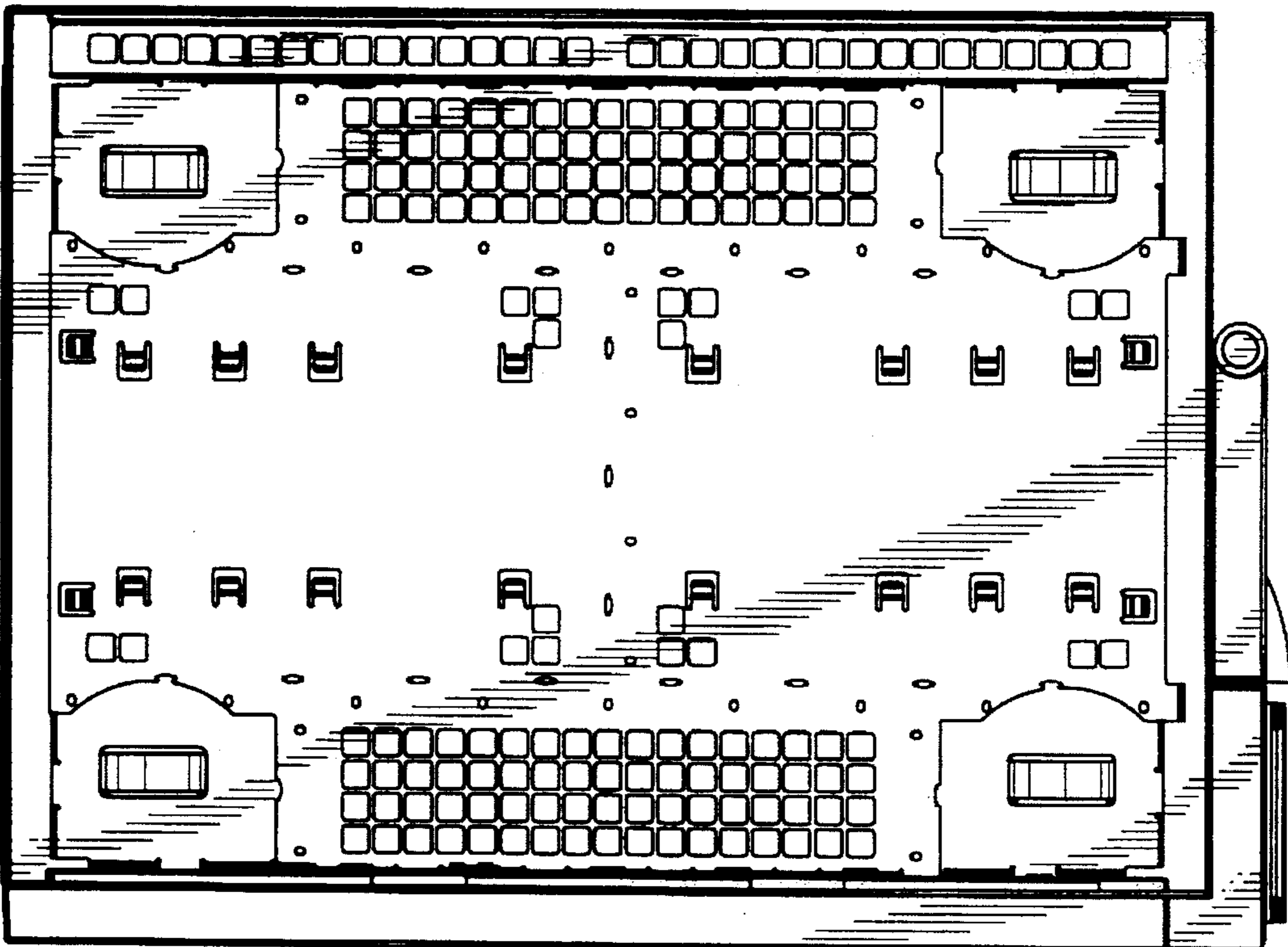


FIG. 5

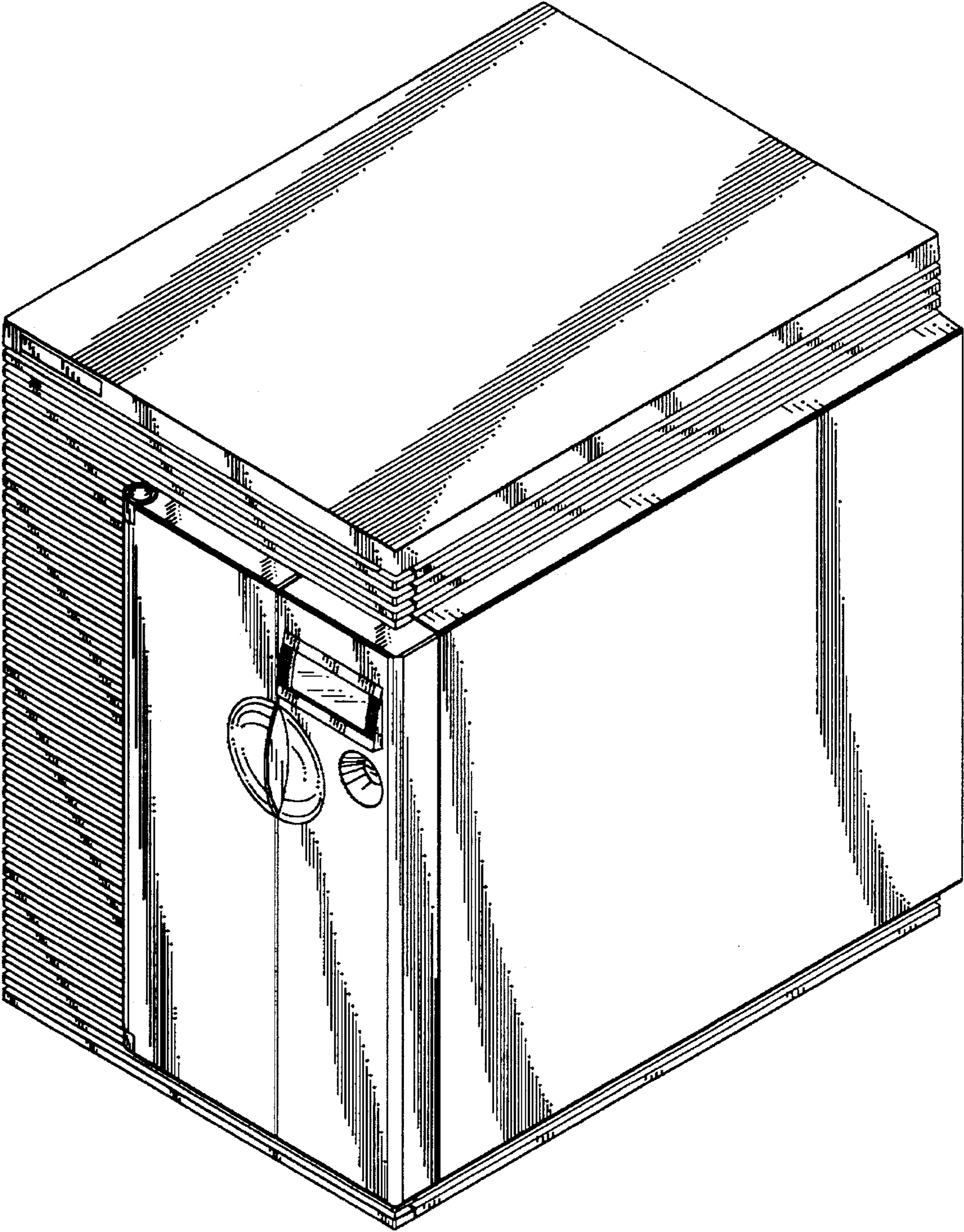


FIG. 7