



US00D383442S

United States Patent [19]
Wong

[11] **Patent Number: Des. 383,442**
[45] **Date of Patent: **Sep. 9, 1997**

[54] **ELECTRICAL SWITCH**

[76] **Inventor: Bun Wong**, 19th Floor, A-8 Wah Kai Industrial Centre, 221 Texaco Road, Tsuen Wan, New Territories, Hong Kong

[**] **Term: 14 Years**

[21] **Appl. No.: 48,502**

[22] **Filed: Dec. 29, 1995**

[30] **Foreign Application Priority Data**

Jul. 3, 1995 [GB] United Kingdom 2048574

[51] **LOC (6) Cl.** 13-03

[52] **U.S. Cl.** D13/170

[58] **Field of Search** D13/158, 169, D13/170; 200/5 R, 5 A, 315, 547, 548, 549, 550

[56] **References Cited**

U.S. PATENT DOCUMENTS

3,485,966 12/1969 Bailey et al. 200/550 X
4,211,900 7/1980 Quigley 200/5 R
4,544,811 10/1985 Brevick 200/5 R

OTHER PUBLICATIONS

Switchcraft ©1989; Shoe Switches—Item Nos. 56313L1, 56313L2, C56313L1, & C56313L2; pp. 4–10.

Primary Examiner—A. Hugo Word
Assistant Examiner—Lavone Tabor
Attorney, Agent, or Firm—Leydig, Voit & Mayer

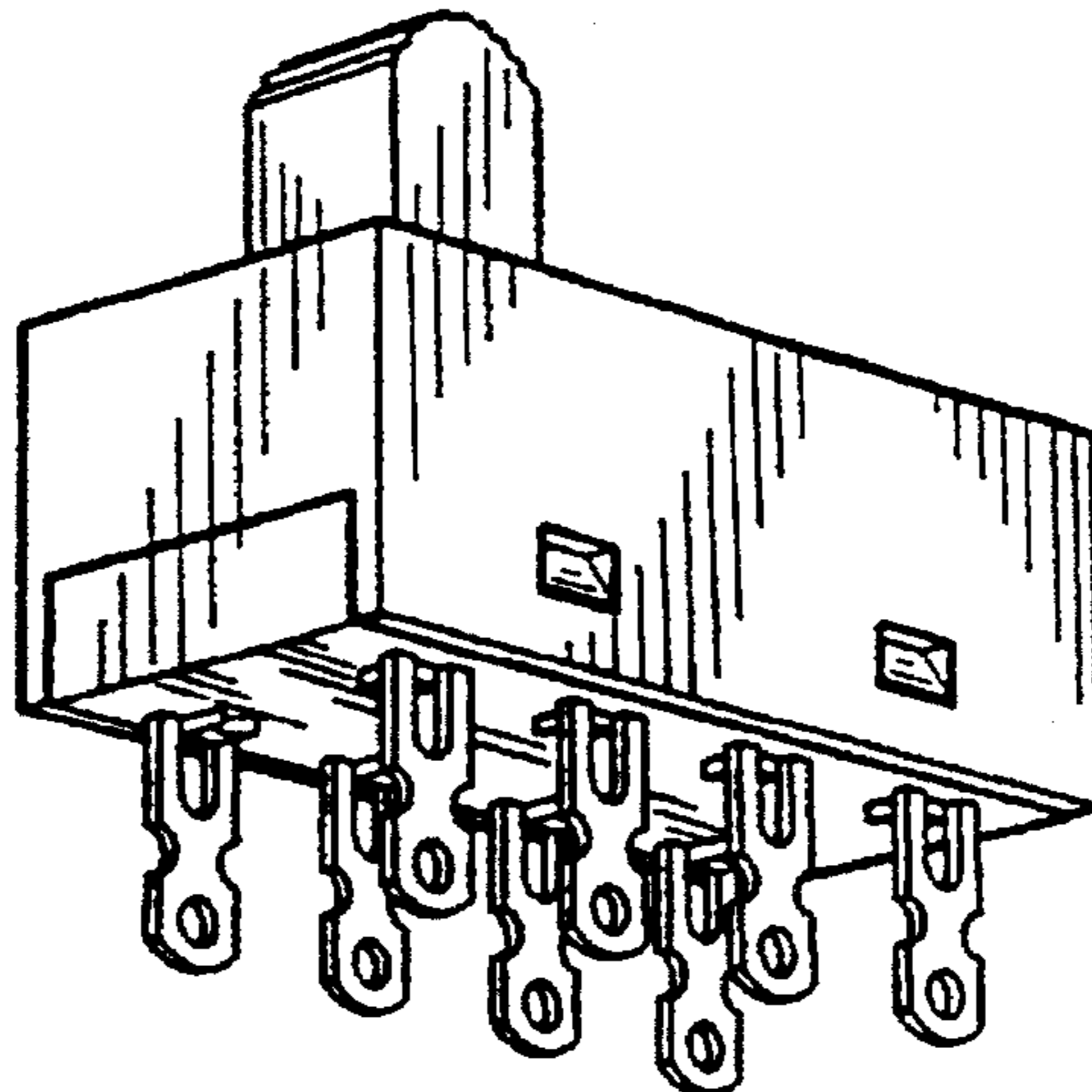
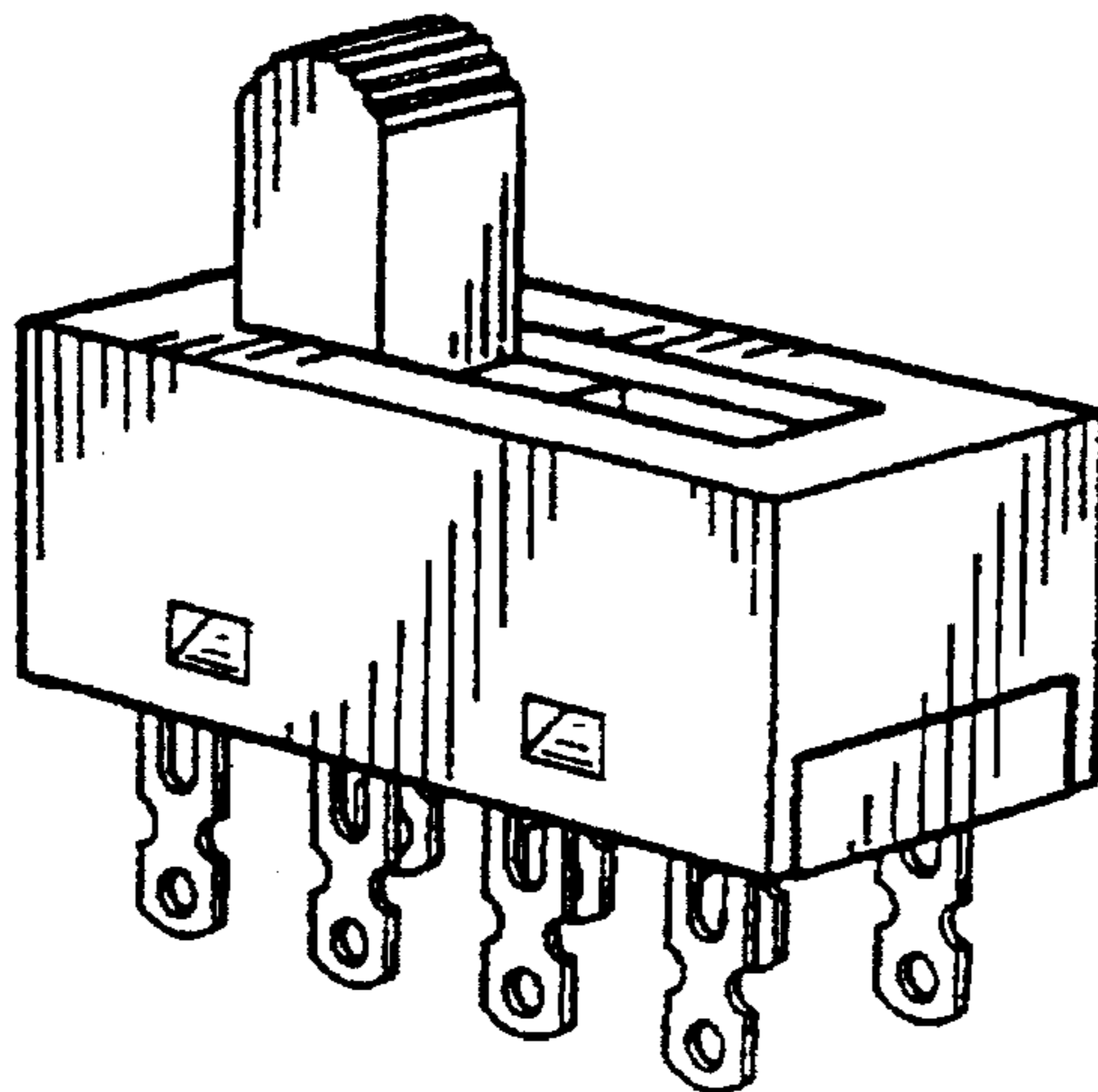
[57] **CLAIM**

The ornamental design for an electrical switch, as shown and described.

DESCRIPTION

FIG. 1 is a front, right end and top perspective view of an electrical switch showing my new design;
FIG. 2 is a front, left end and bottom perspective view thereof;
FIG. 3 is a front elevational view thereof;
FIG. 4 is a bottom plan view thereof;
FIG. 5 is a right end elevational view thereof;
FIG. 6 is a top plan view thereof;
FIG. 7 is a rear elevational view thereof; and,
FIG. 8 is a left end elevational view thereof.

1 Claim, 3 Drawing Sheets



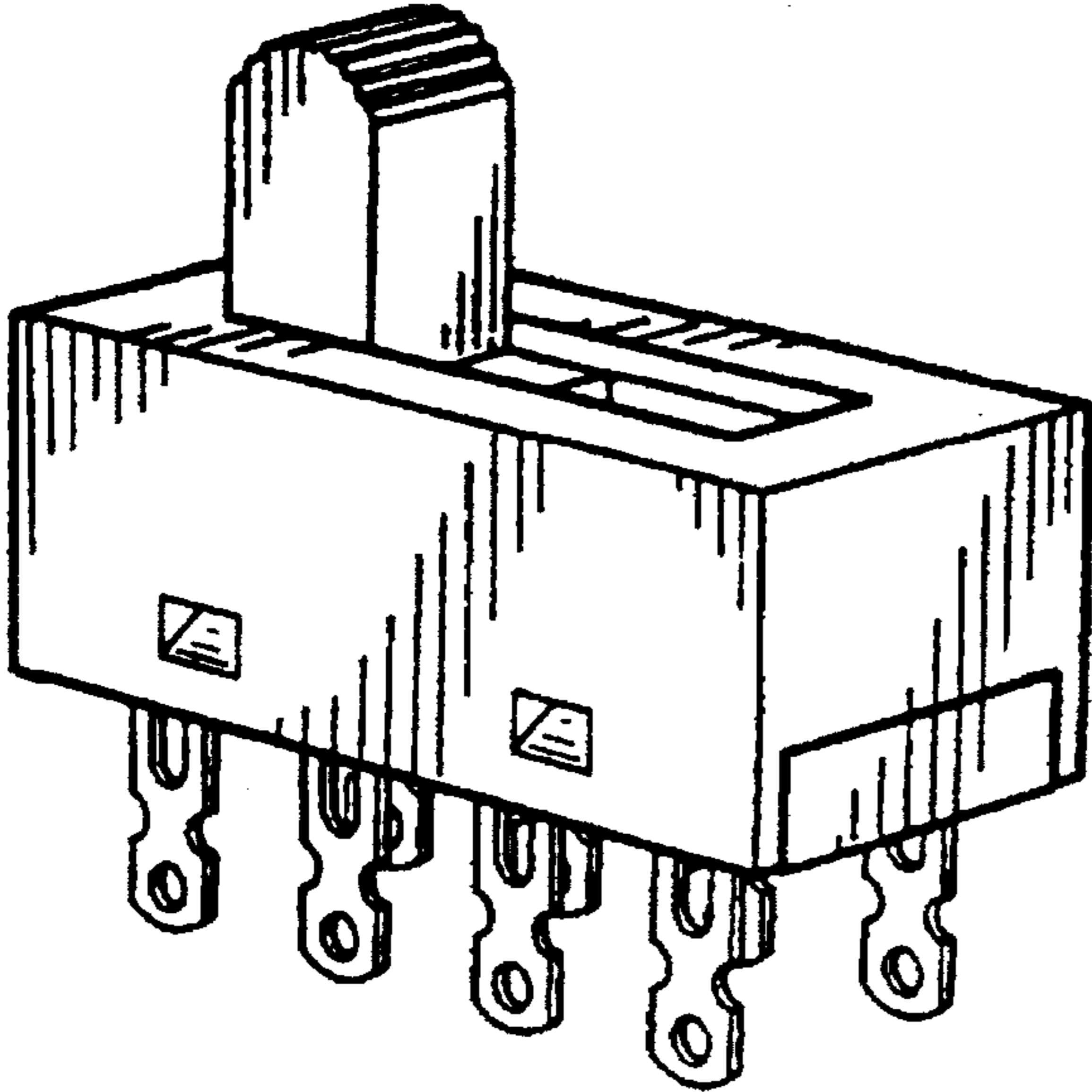


FIG. 1

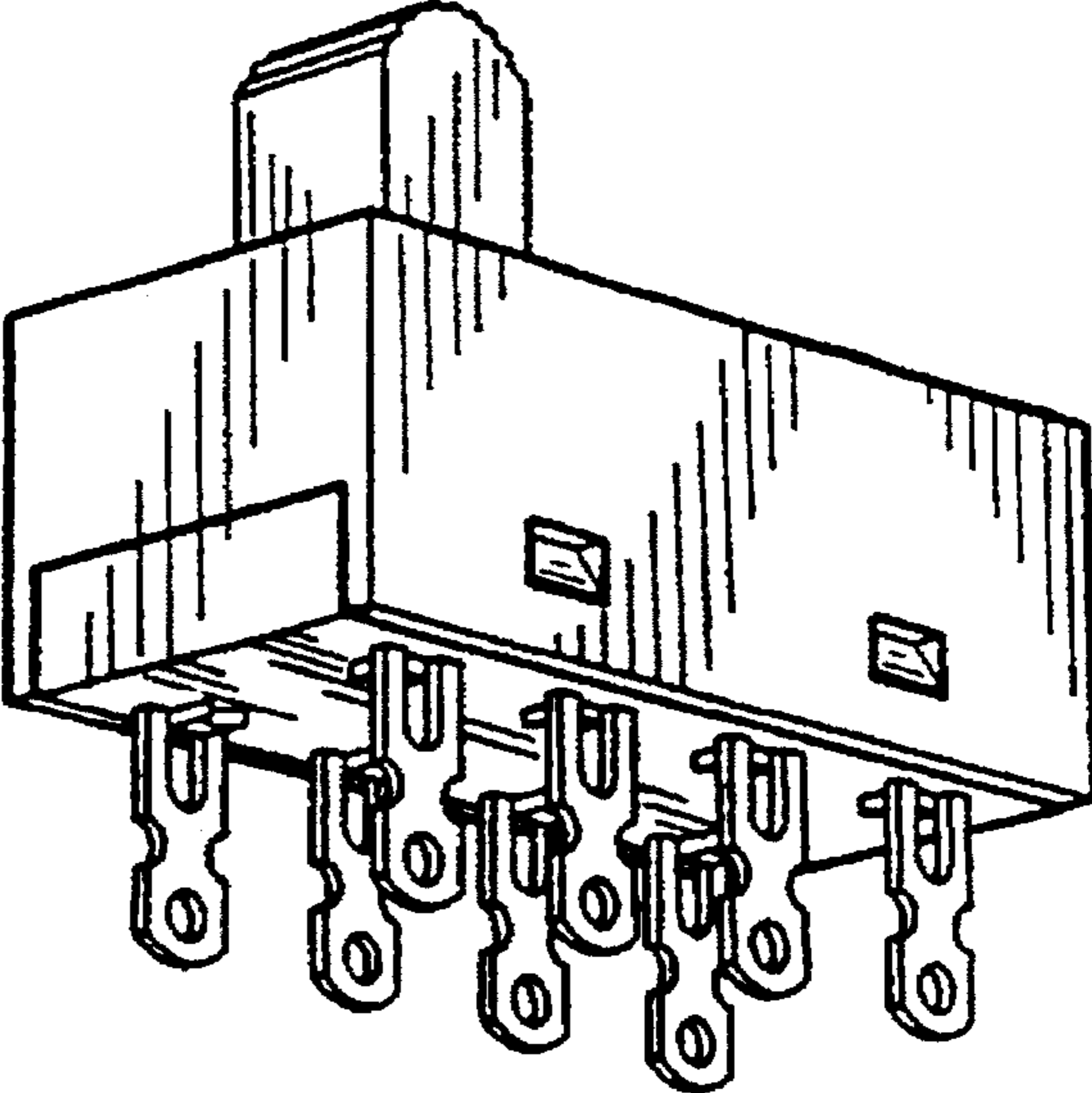


FIG. 2

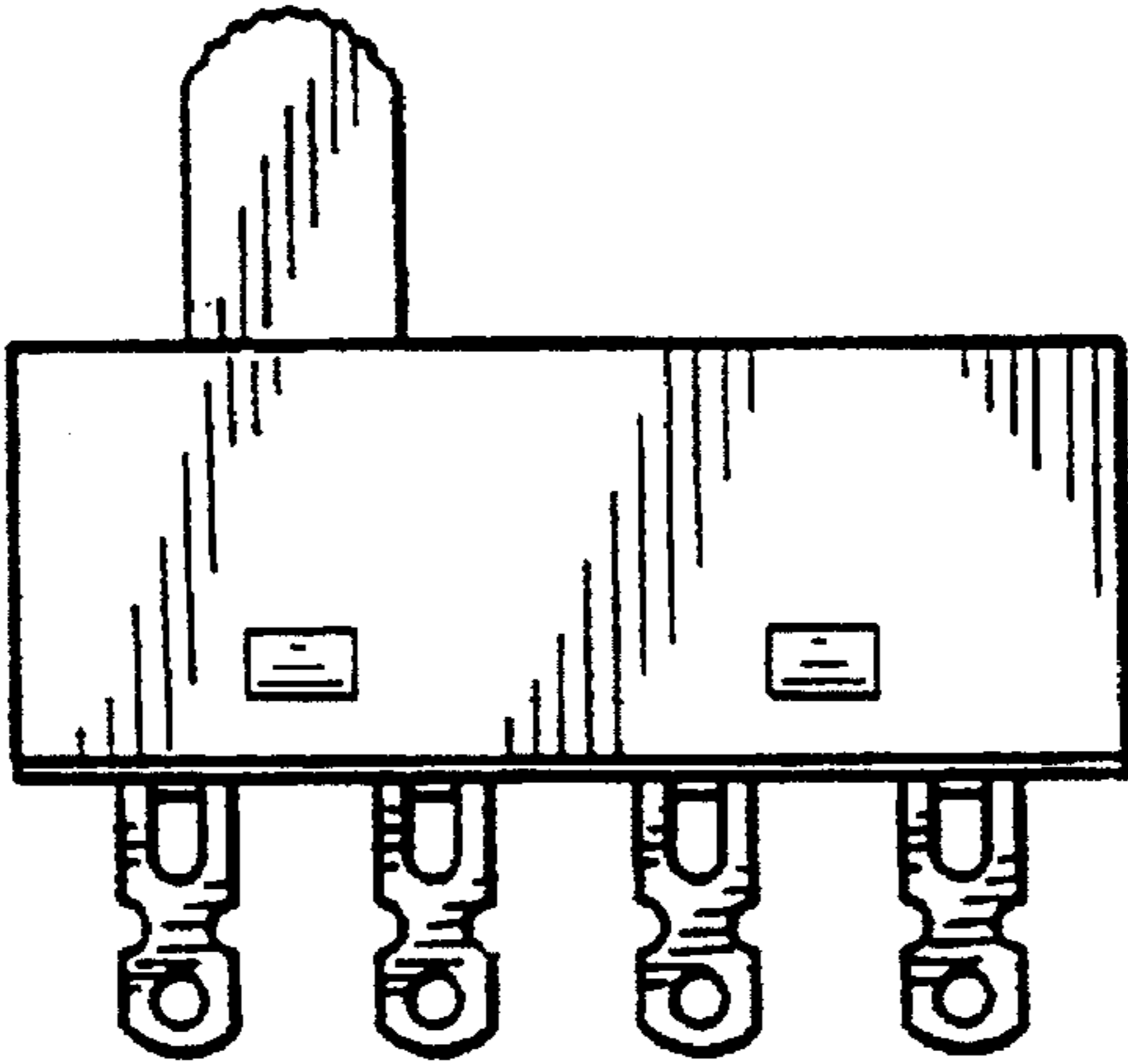


FIG. 3

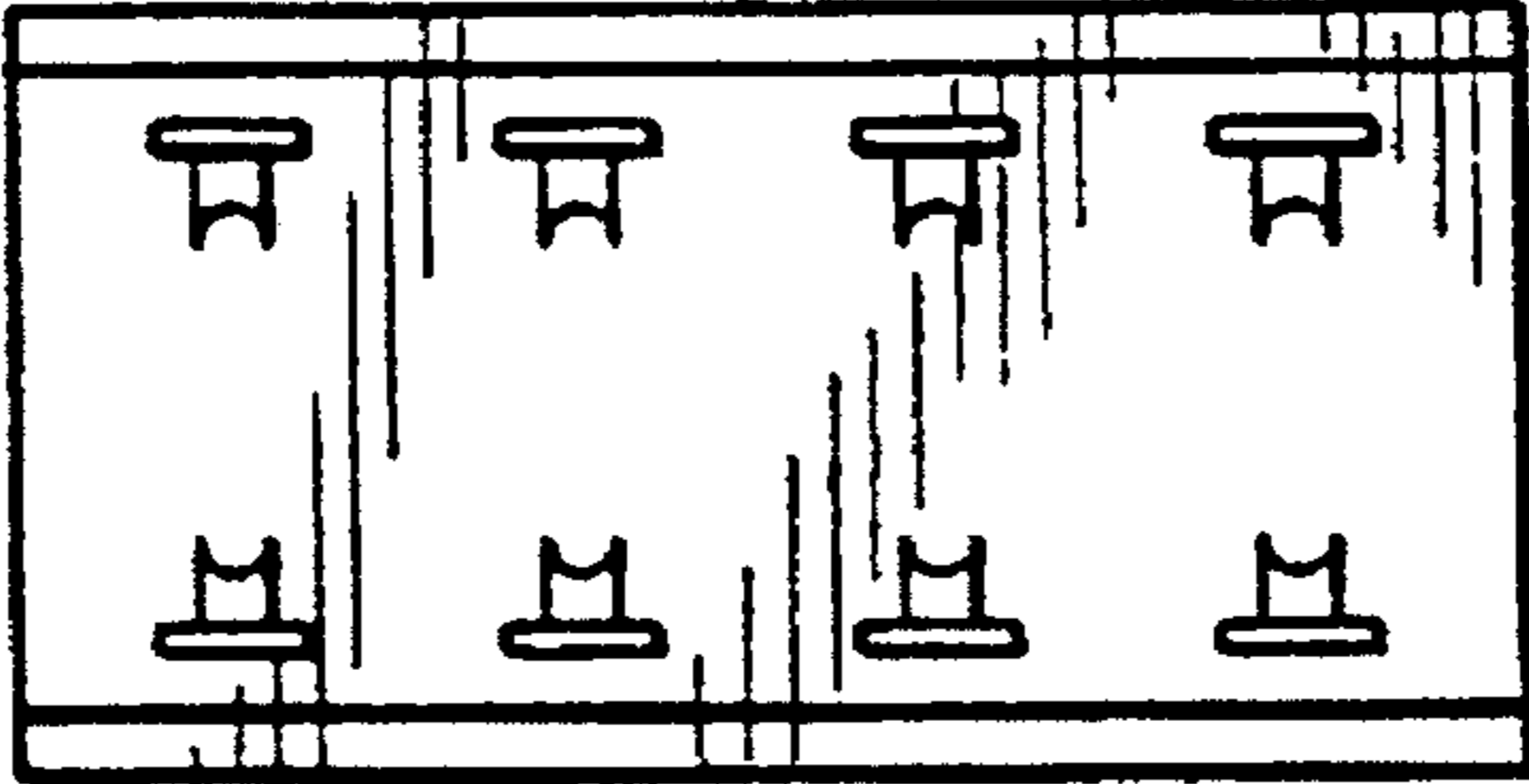


FIG. 4

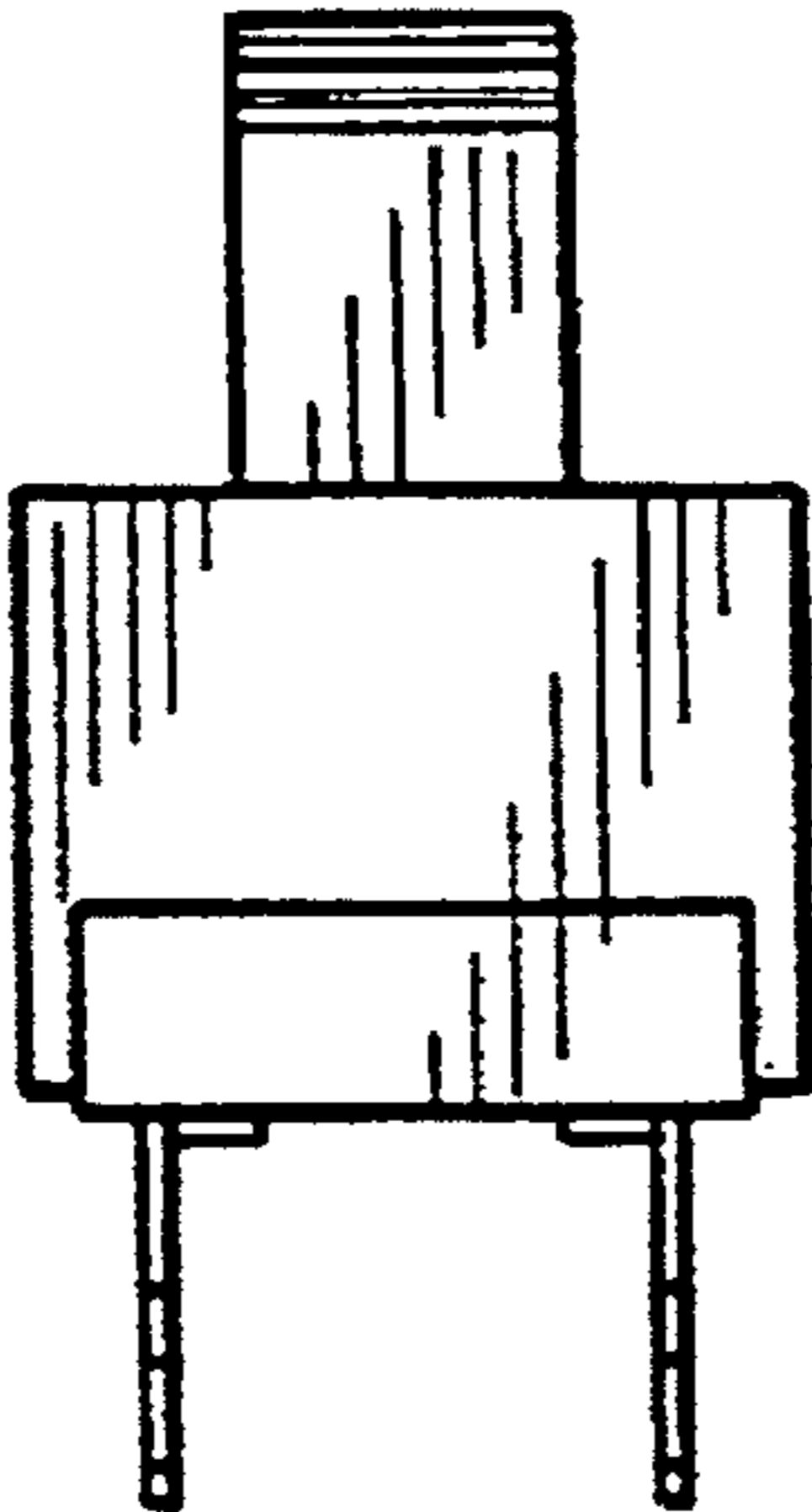


FIG. 5

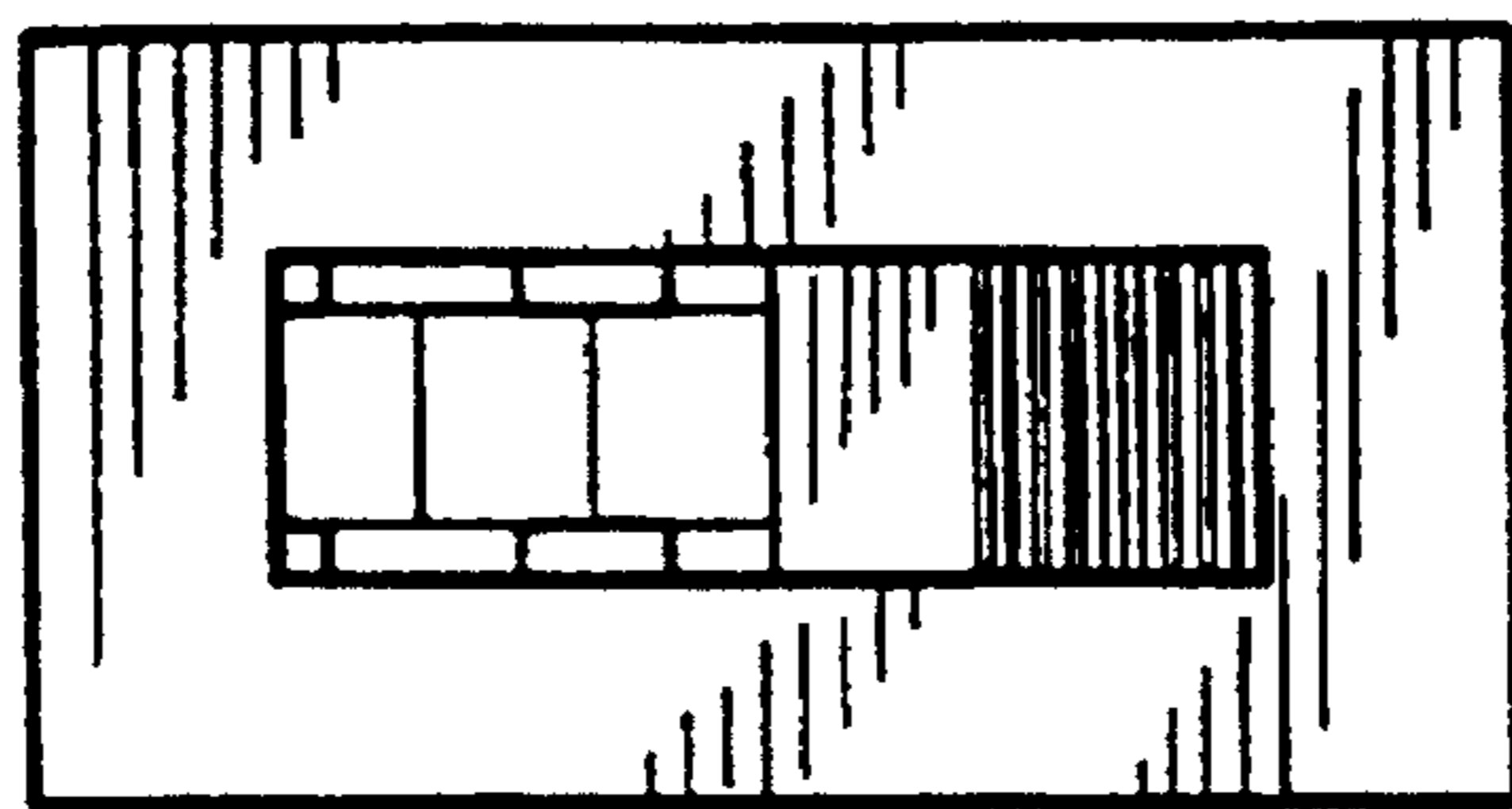


FIG. 6

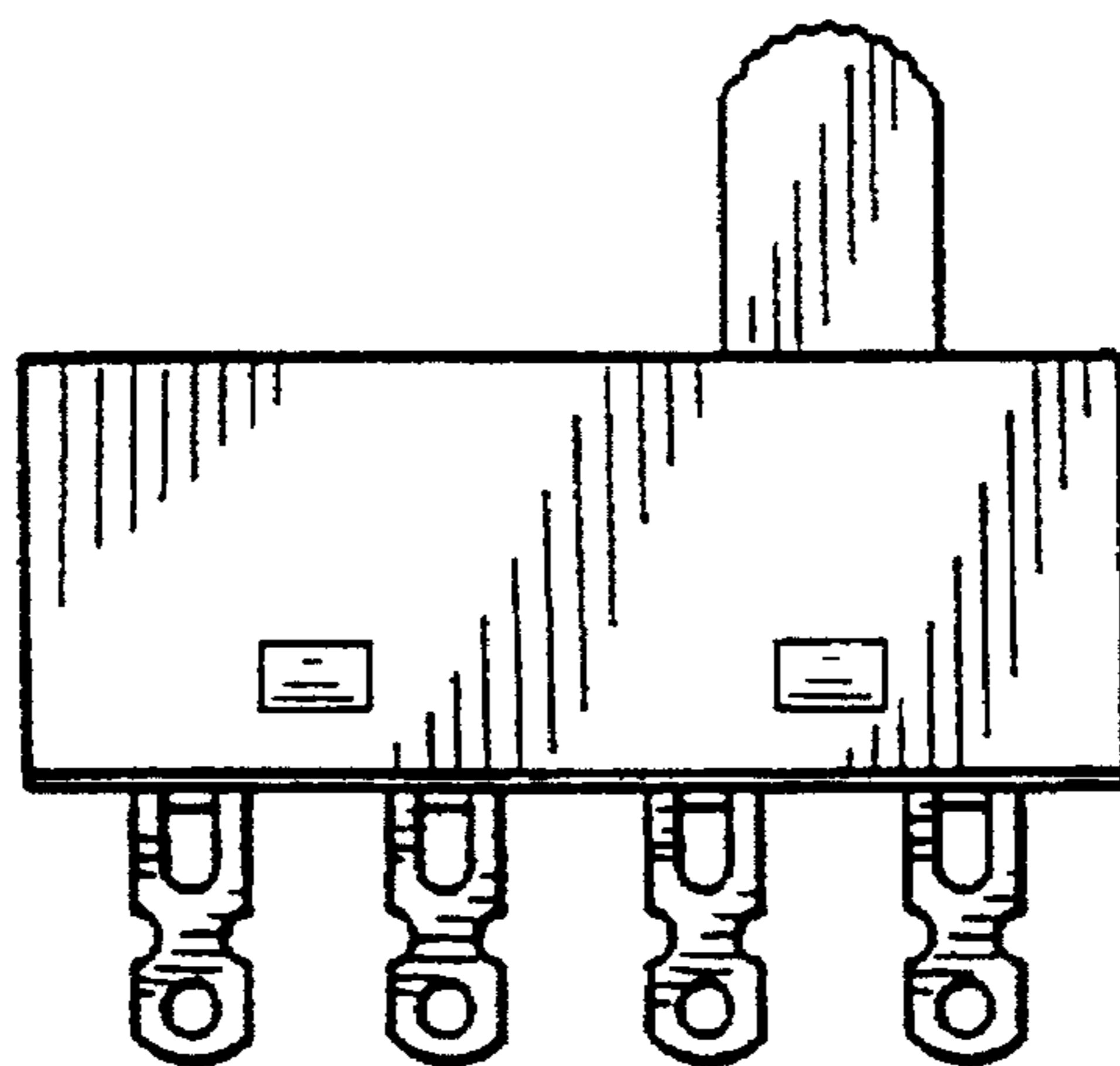


FIG. 7

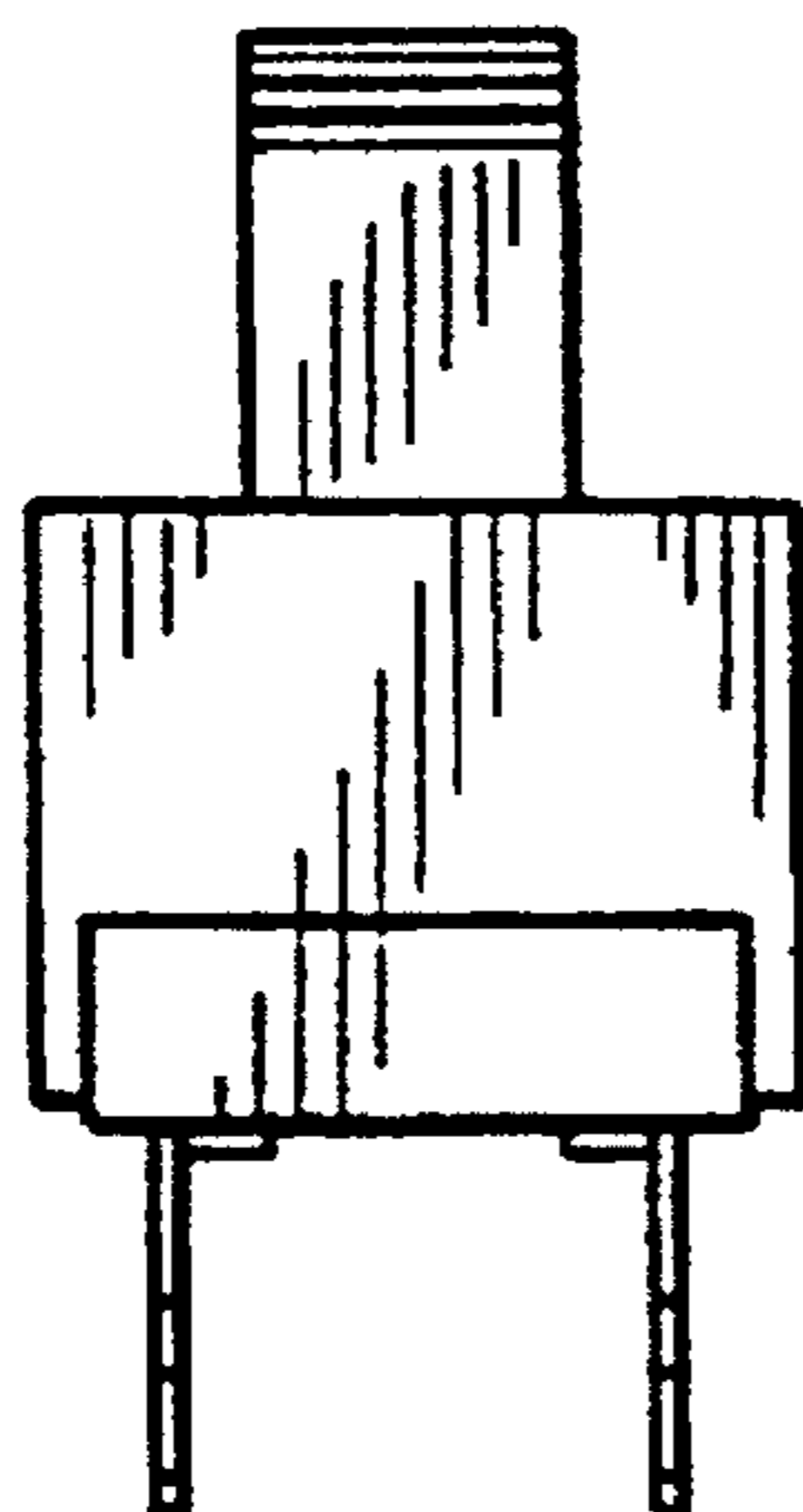


FIG. 8