



US00D383441S

# United States Patent [19] Wong

[11] Patent Number: **Des. 383,441**  
[45] Date of Patent: **\*\*Sep. 9, 1997**

## [54] ELECTRICAL SWITCH

[76] Inventor: **Bun Wong**, 19th Floor, A-8 Wah Kai Industrial Centre, 221 Texaco Road, Tsuen Wan, New Territories, Hong Kong

[\*\*] Term: **14 Years**

[21] Appl. No.: **48,501**

[22] Filed: **Dec. 29, 1995**

### [30] Foreign Application Priority Data

Jul. 3, 1995 [GB] United Kingdom ..... 2048573

[51] LOC (6) Cl. .... **13-03**

[52] U.S. Cl. .... **D13/170**

[58] Field of Search ..... D13/158, 169, D13/170; 200/5 R, 5 A, 315, 547, 548, 549, 550

### [56] References Cited

#### U.S. PATENT DOCUMENTS

3,502,825 3/1970 Bailey et al. .... 200/547 X  
3,674,953 7/1972 Brevick ..... 200/550 X  
4,825,020 4/1989 Rao et al. .... 200/550 X

## OTHER PUBLICATIONS

Switchcraft ©1989; Slide Switches—Item Nos. 49331L and 50209L, pp. 4–6.

Chicago Switch, Inc. Catalog 7708, Slide Switch—Item No. 43-300-221/223/224, p. 10.

Primary Examiner—A. Hugo Word

Assistant Examiner—Lavone Tabor

Attorney, Agent, or Firm—Leydig, Voit & Mayer

## [57] CLAIM

The ornamental design for an electrical switch, as shown and described.

## DESCRIPTION

FIG. 1 is a front, right end and top perspective view of an electrical switch showing my new design;

FIG. 2 is a front, left end and bottom perspective view thereof;

FIG. 3 is a front elevational view thereof;

FIG. 4 is a bottom plan view thereof;

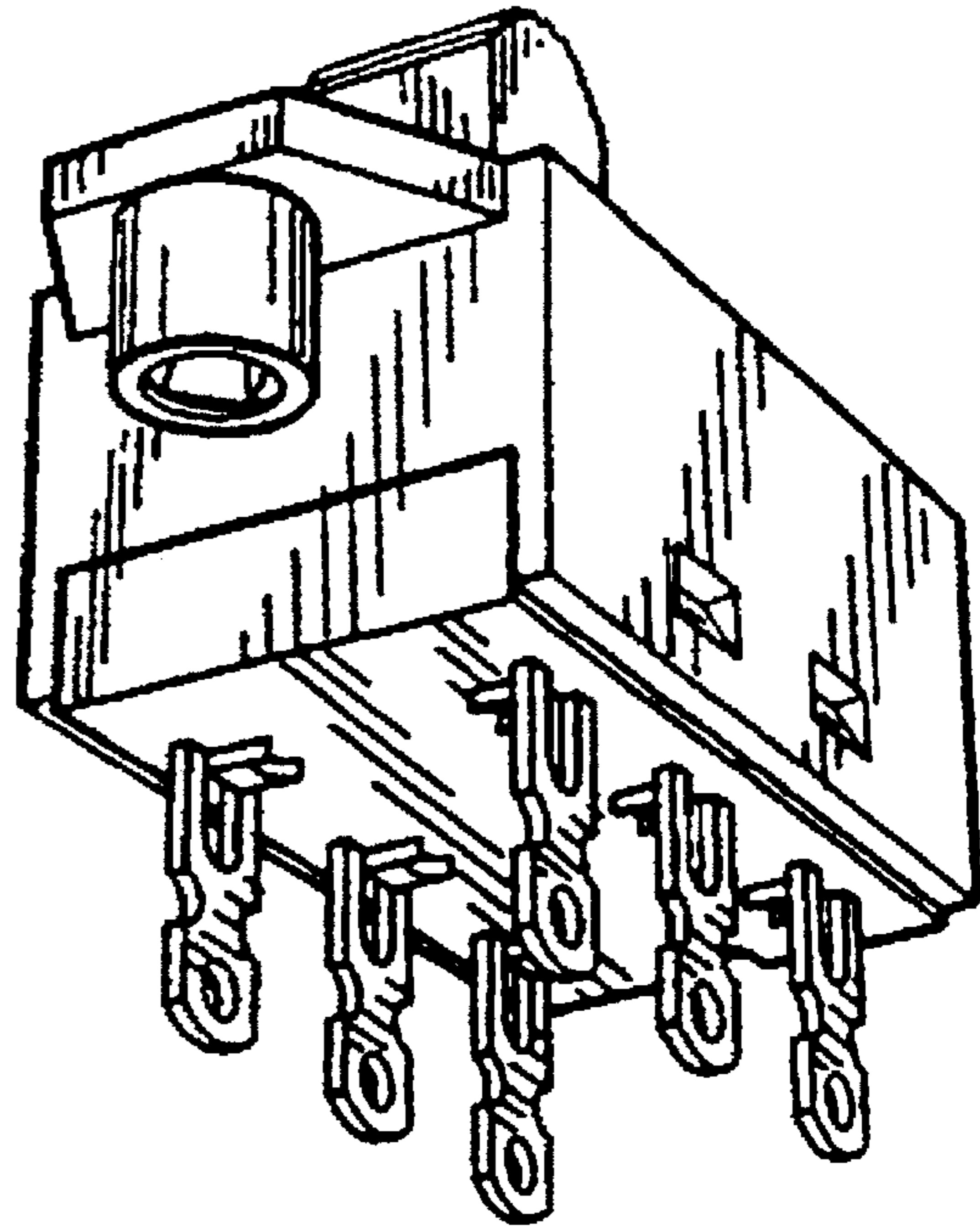
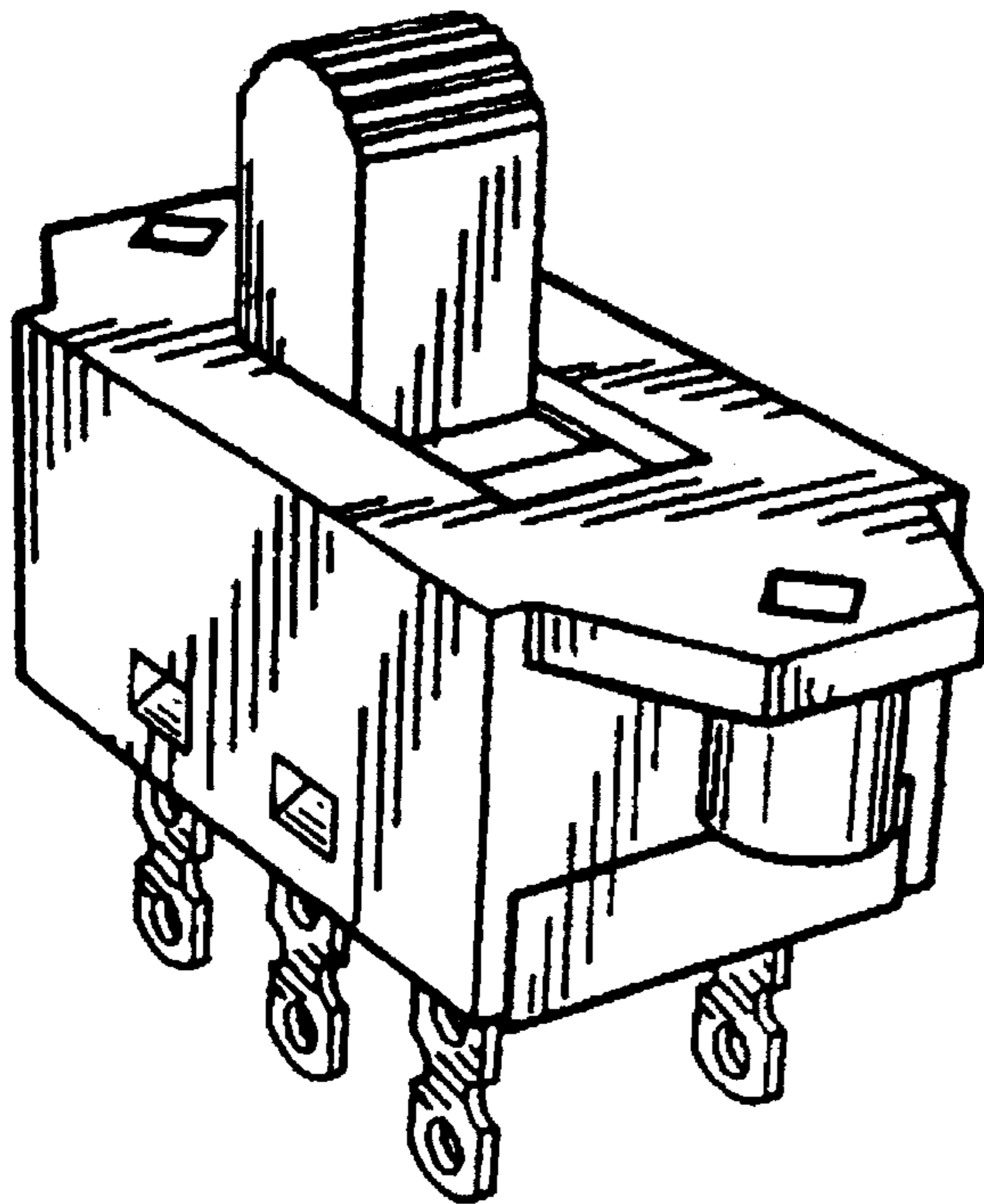
FIG. 5 is a right end elevational view thereof;

FIG. 6 is a top plan view thereof;

FIG. 7 is a rear elevational view thereof; and,

FIG. 8 is a left end elevational view thereof.

1 Claim, 3 Drawing Sheets



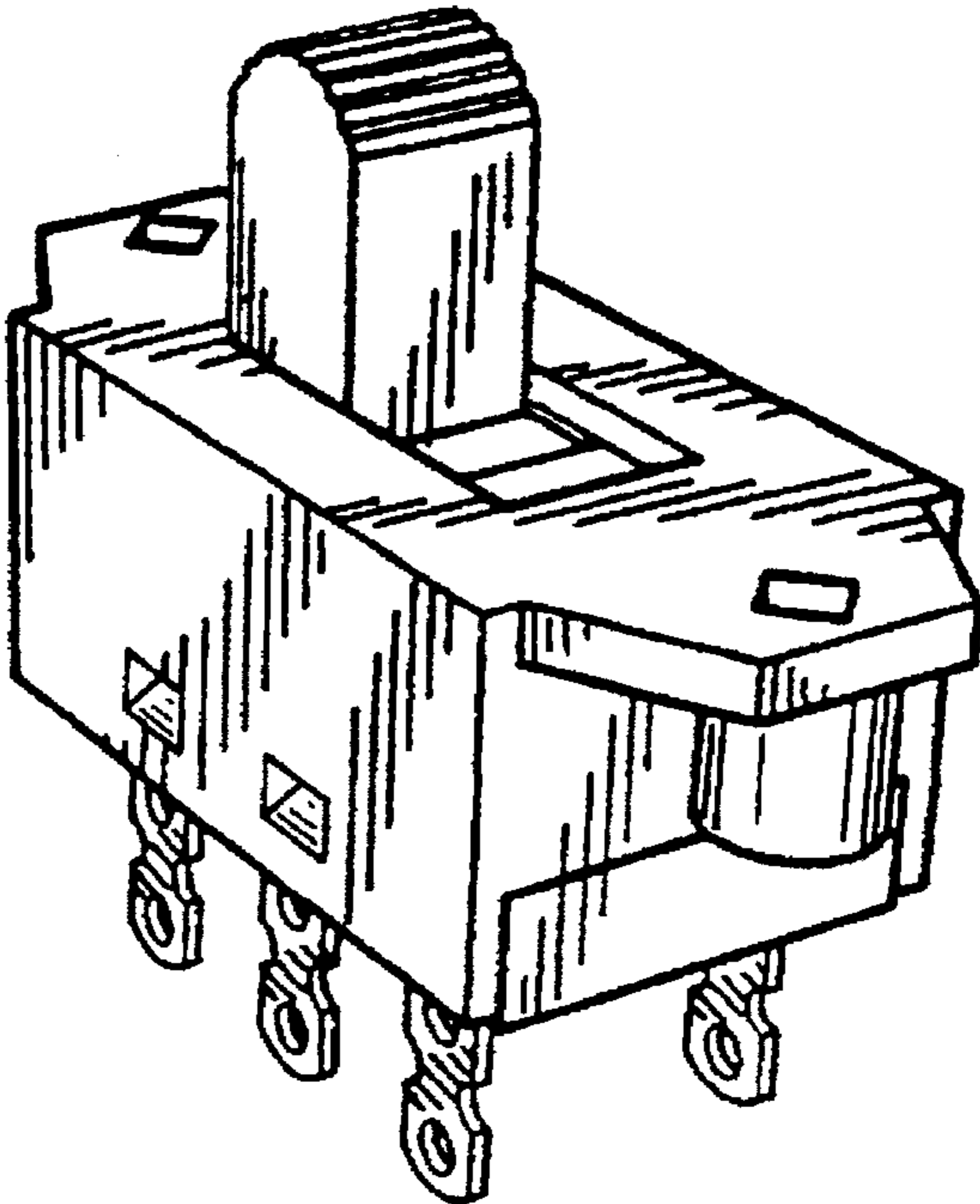


FIG. 1

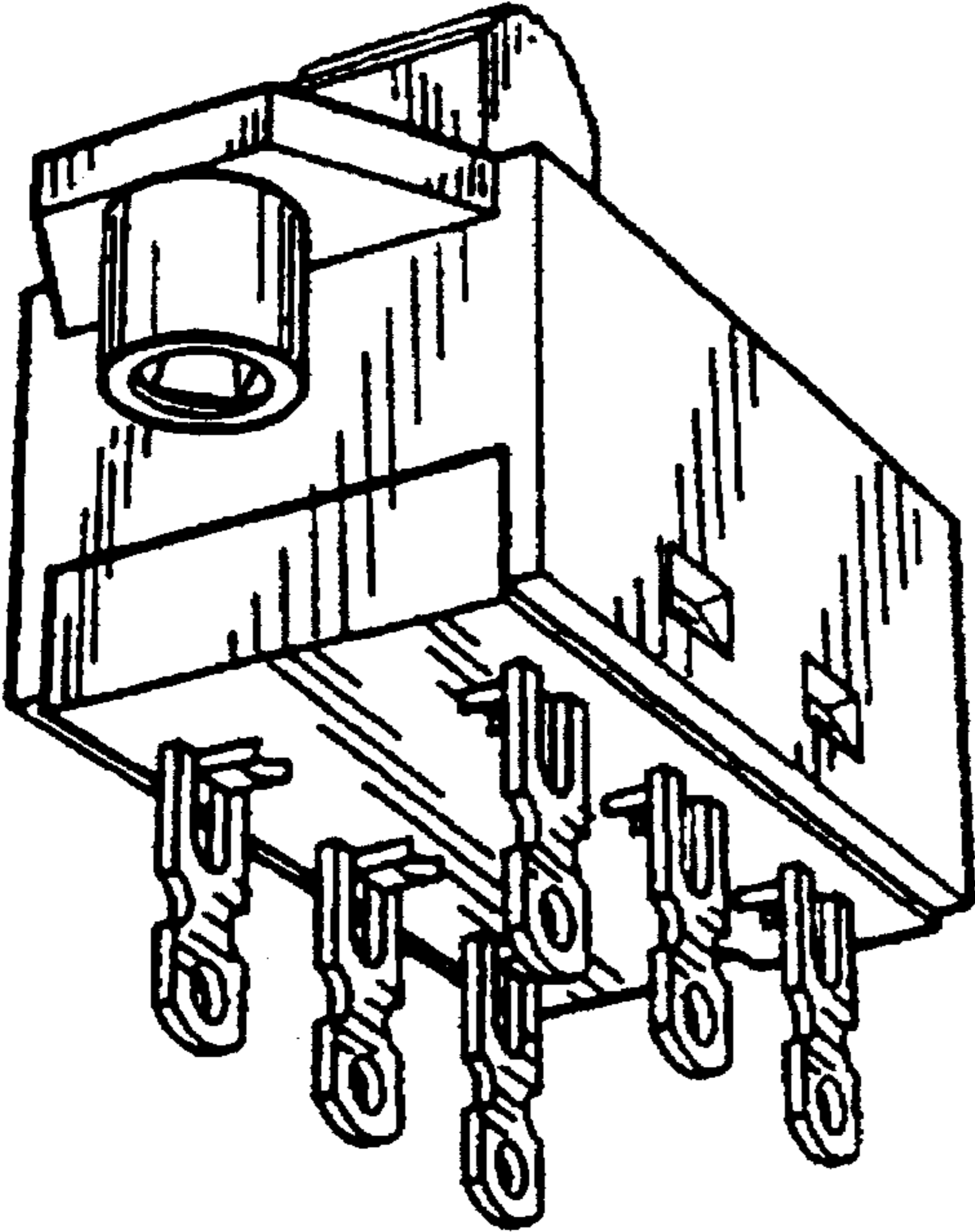


FIG. 2

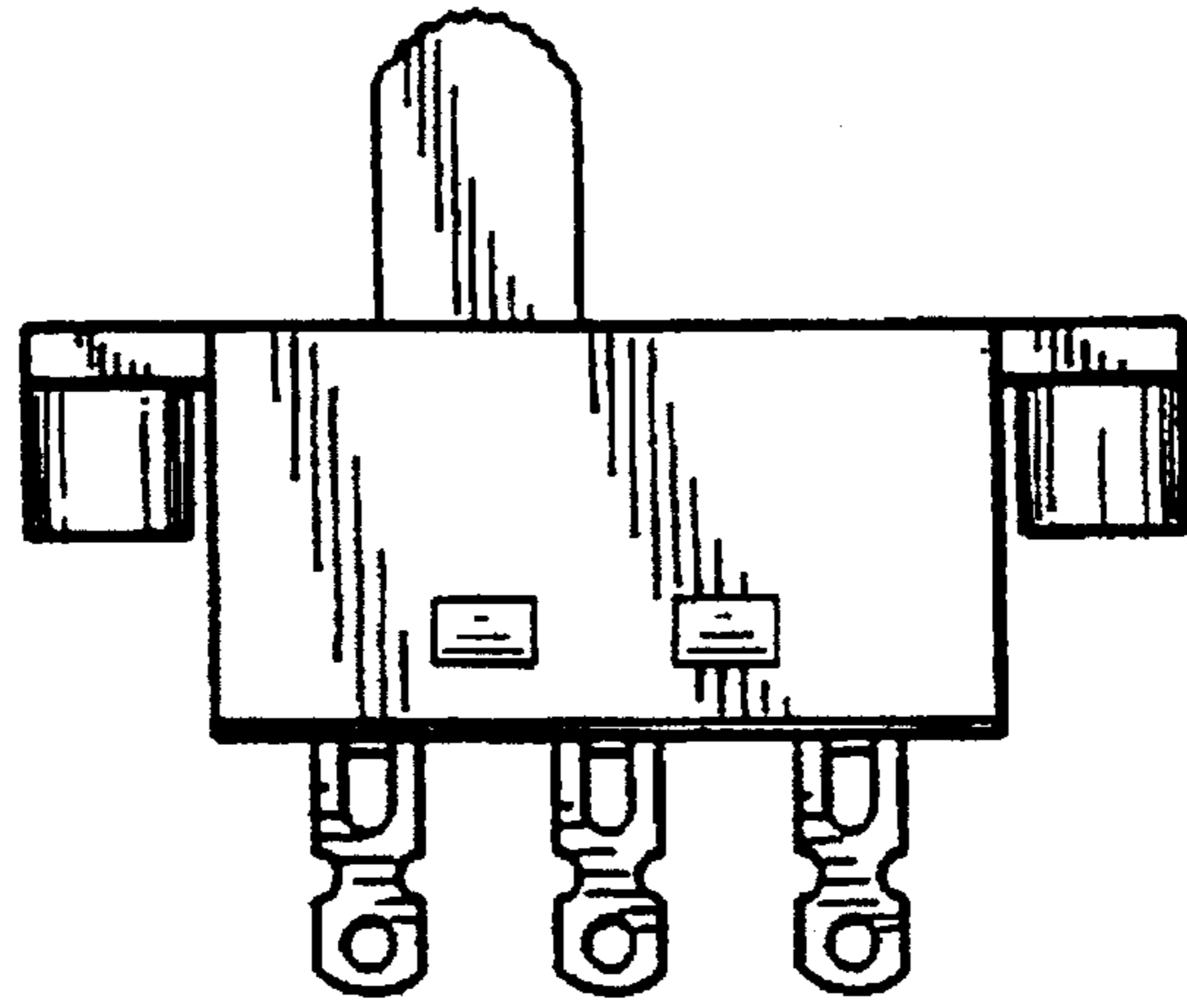


FIG. 3

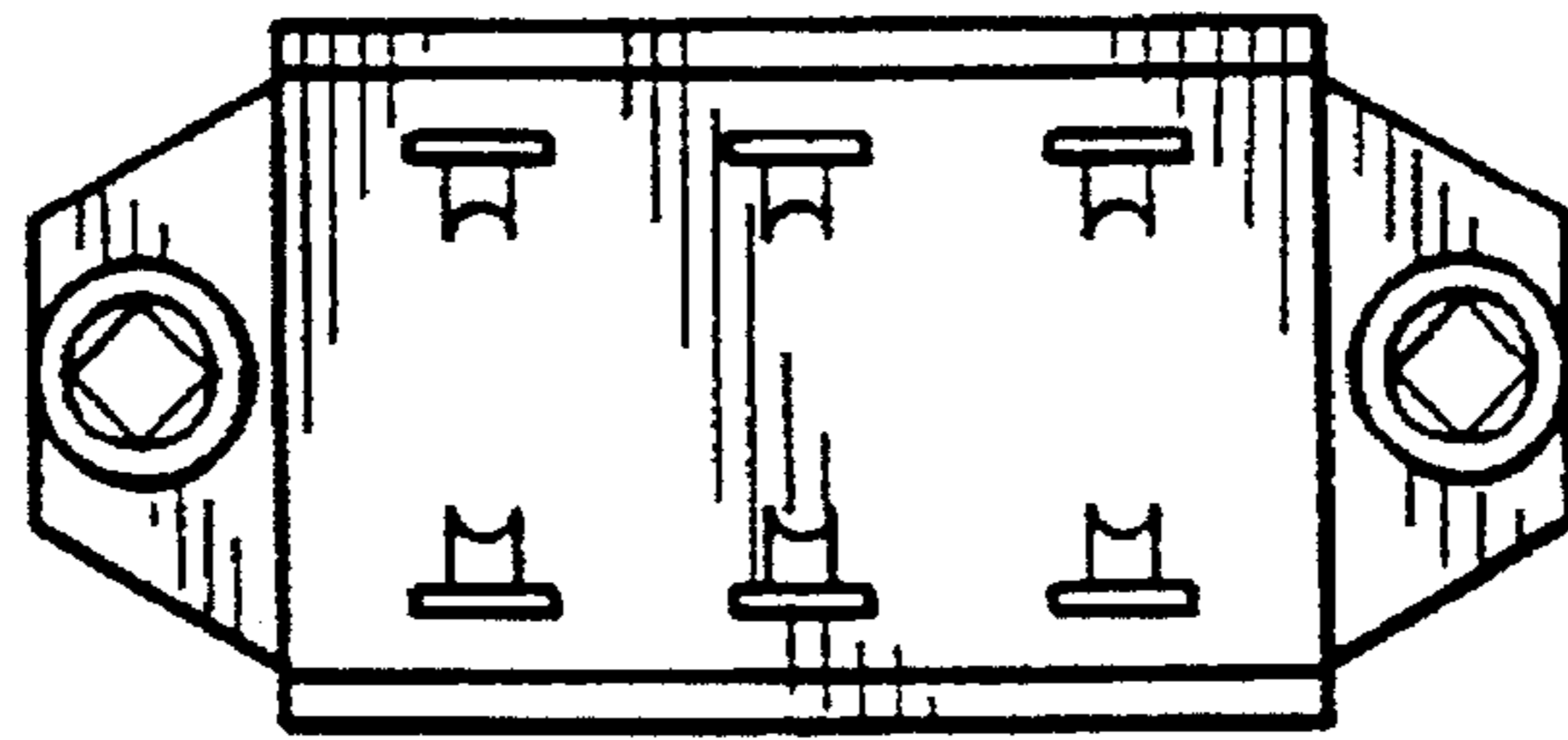


FIG. 4

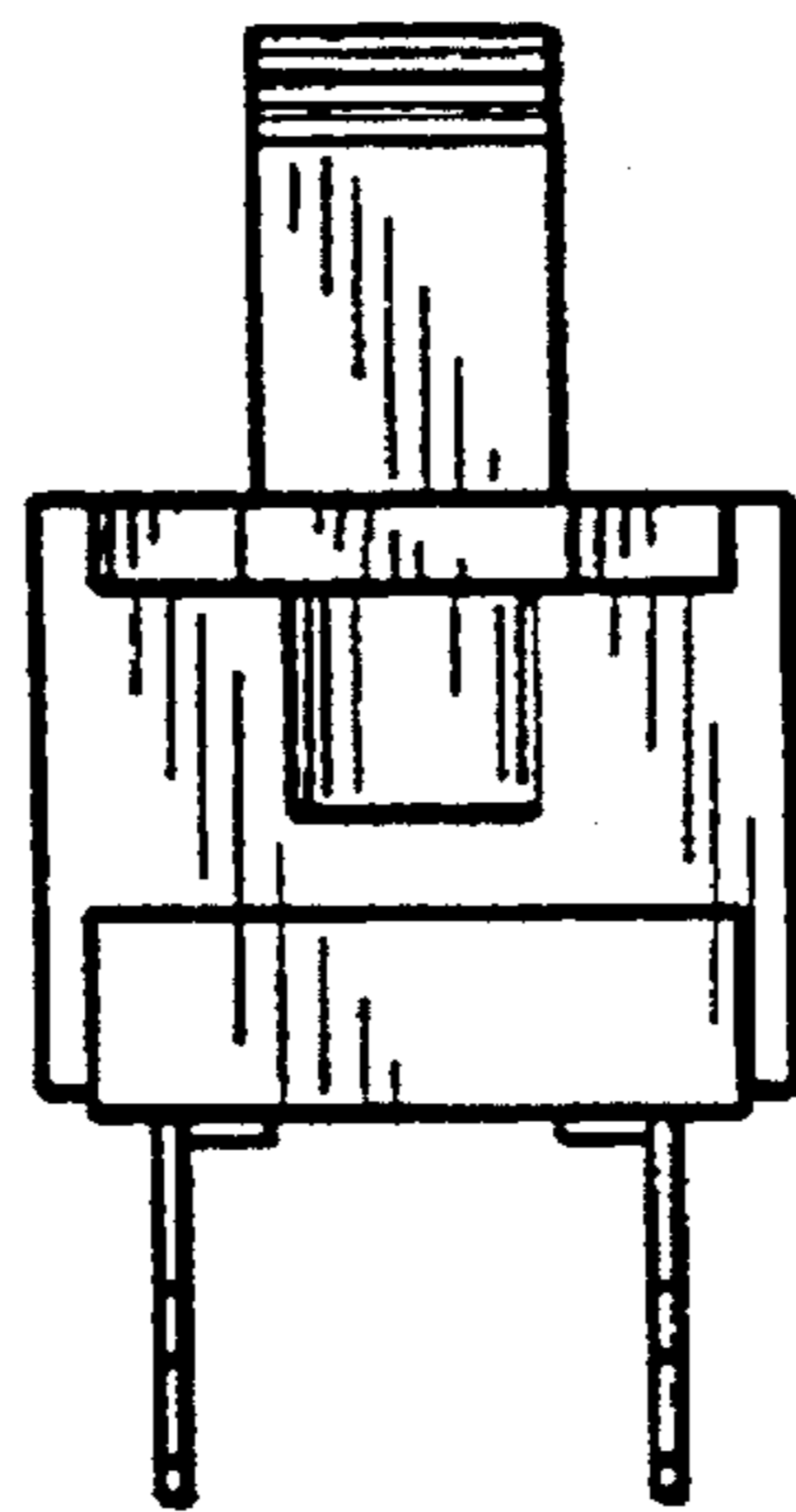


FIG. 5

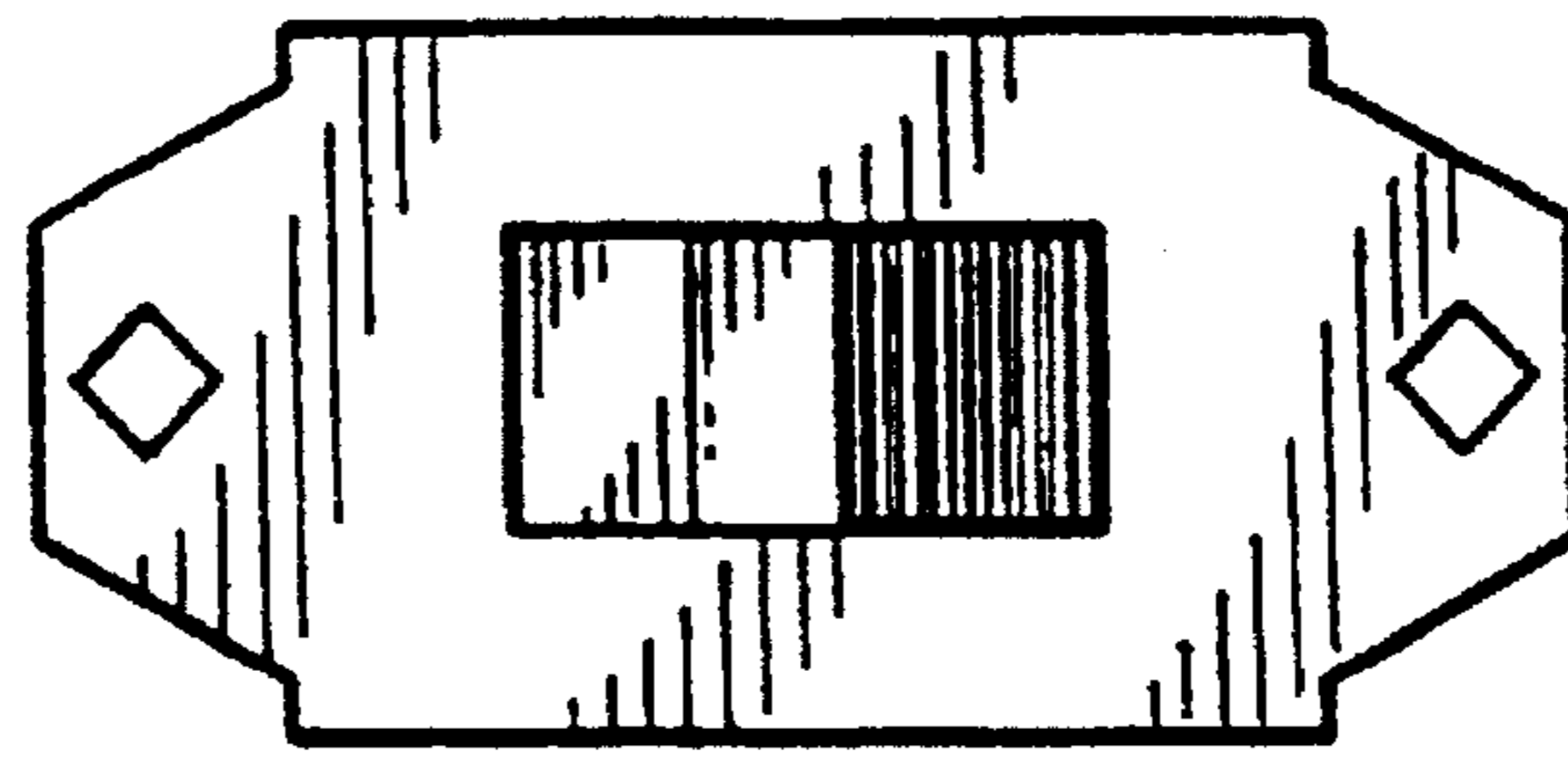


FIG. 6

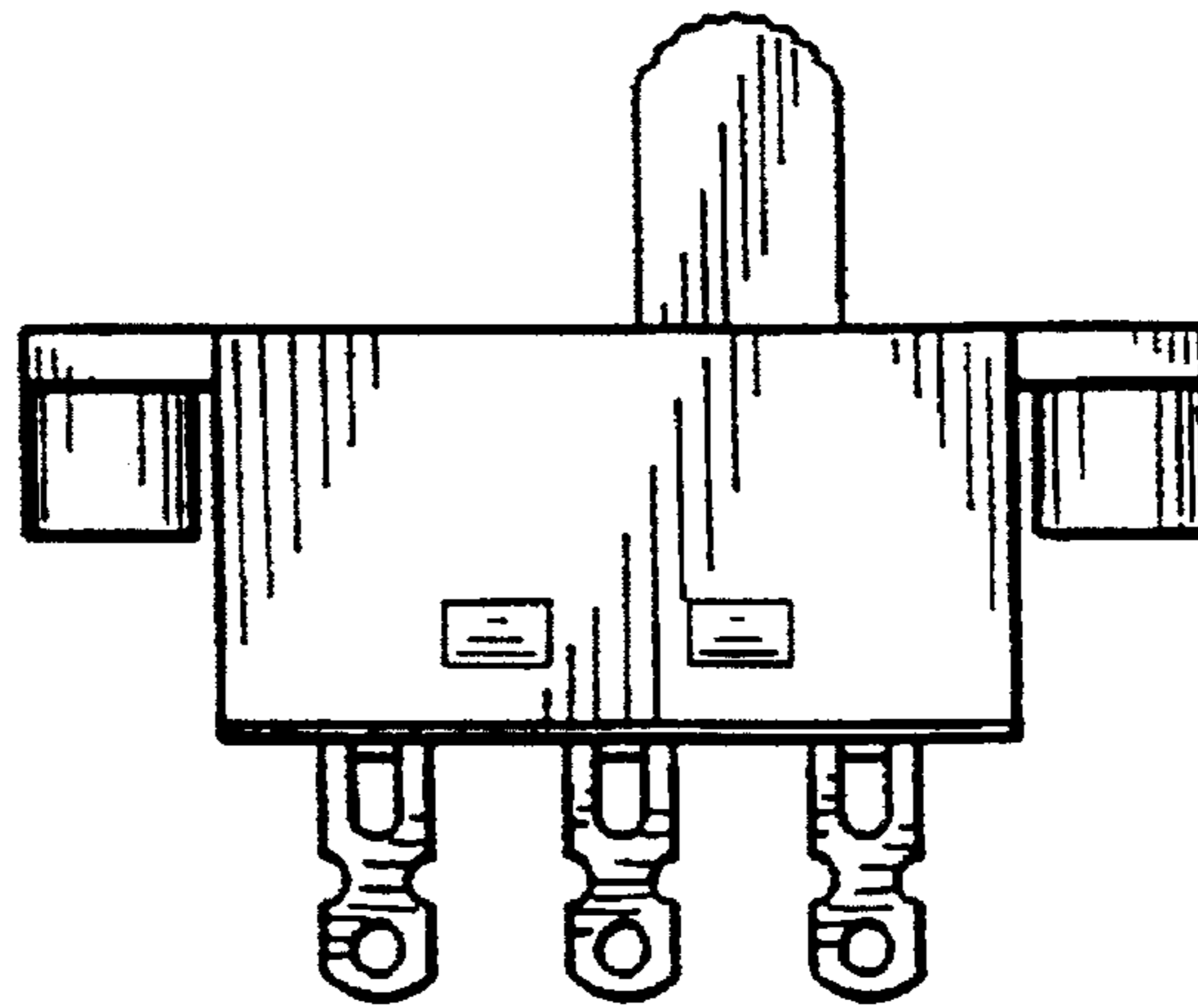


FIG. 7

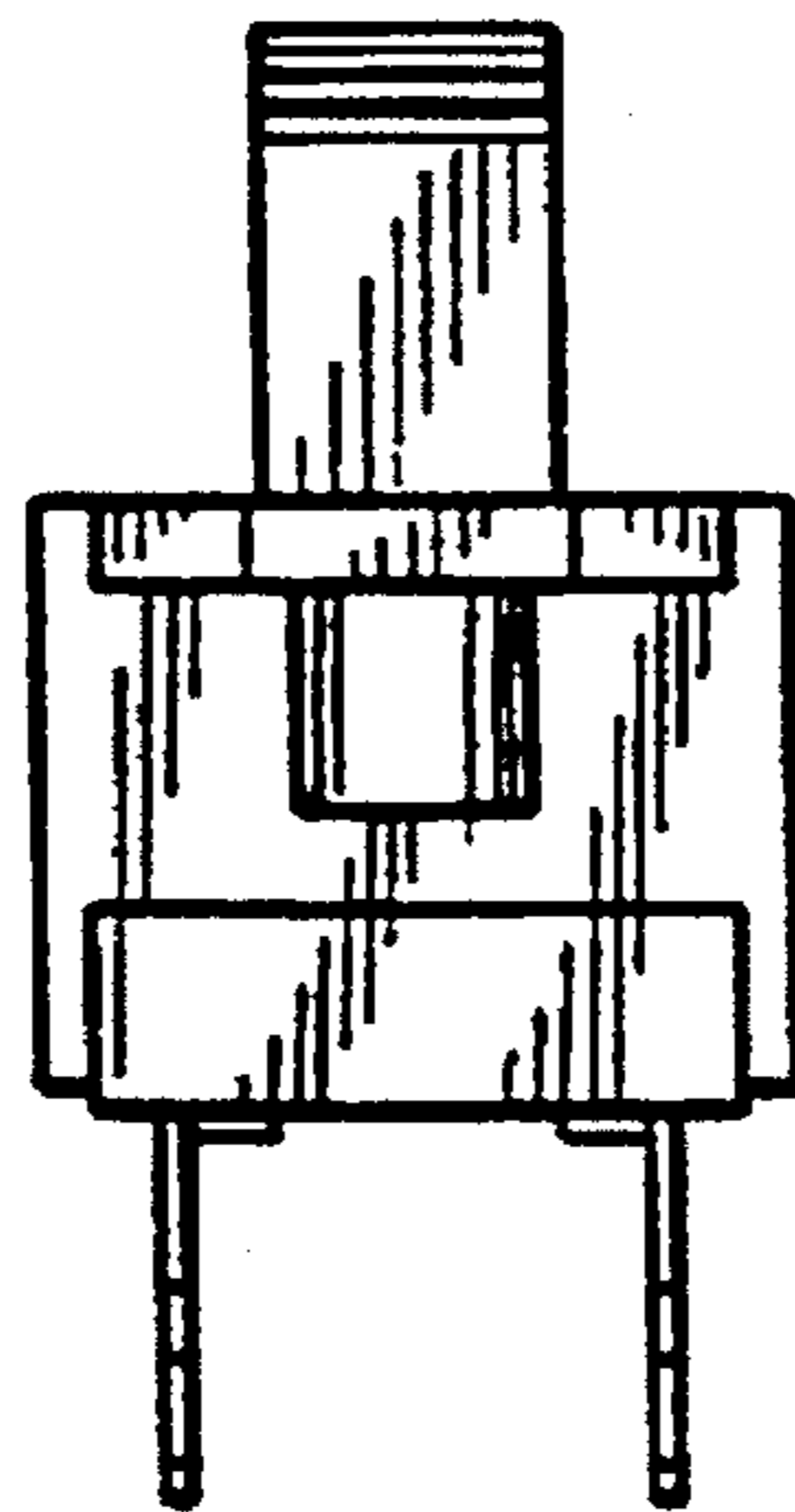


FIG. 8