



US00D383440S

# United States Patent [19]

Ichikawa

[11] Patent Number: **Des. 383,440**

[45] Date of Patent: **\*\*Sep. 9, 1997**

[54] ELECTRICAL CONNECTOR

[75] Inventor: **Kazunori Ichikawa**, Tokyo, Japan

[73] Assignee: **Hirose Electric Co., Ltd.**, Tokyo, Japan

[\*\*] Term: **14 Years**

[21] Appl. No.: **53,570**

[22] Filed: **Apr. 25, 1996**

[30] **Foreign Application Priority Data**

Dec. 5, 1995 [JP] Japan ..... 7-36586

[51] LOC (6) Cl. .... **13-03**

[52] U.S. Cl. .... **D13/147**

[58] **Field of Search** ..... D13/133, 146,  
D13/147; 439/59, 61, 62, 76.1, 78, 521,  
567, 571, 572, 607, 626, 660, 690, 692,  
695, 701, 709, 712, 722, 724, 772

[56] **References Cited**

**U.S. PATENT DOCUMENTS**

- D. 271,685 12/1983 Casciotti et al. .... D13/147
- D. 330,006 10/1992 Kamakura et al. .... D13/123
- D. 357,901 5/1995 Horman ..... D13/110 X

- D. 364,378 11/1995 Nakamura ..... D13/147
- D. 371,542 7/1996 Takayasu ..... D13/147
- 5,096,428 3/1992 Lwee et al. .... 439/521 X
- 5,403,206 4/1995 McNamara et al. .... 439/607 X

*Primary Examiner*—James Gandy  
*Assistant Examiner*—Cathrn B. Matta  
*Attorney, Agent, or Firm*—Kanesaka & Takeuchi

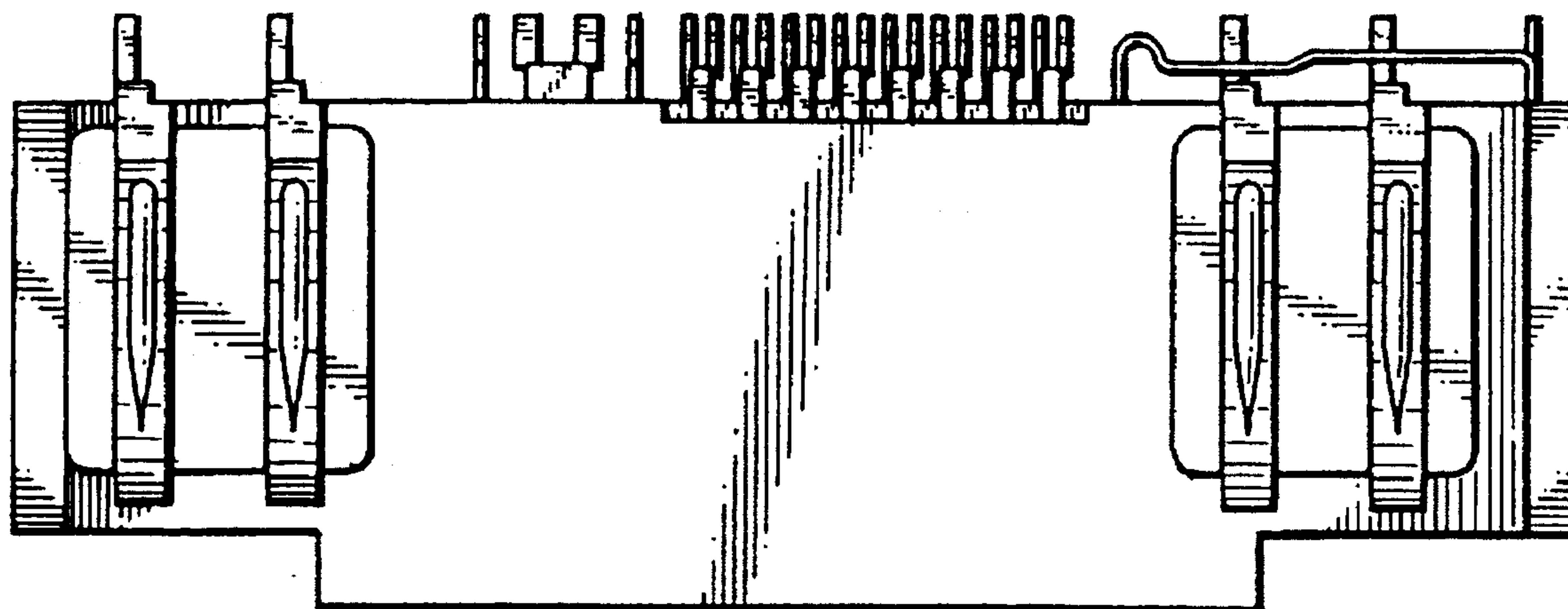
[57] **CLAIM**

The ornamental design for an electrical connector, as shown and described.

**DESCRIPTION**

FIG. 1 is a top plan view of an electrical connector showing an embodiment of my new design;  
FIG. 2 is a bottom plan view thereof;  
FIG. 3 is a front elevational view thereof;  
FIG. 4 is a rear elevational view thereof, shown in an inverted position;  
FIG. 5 is a left-hand side elevational view thereof;  
FIG. 6 is a right-hand side elevational view thereof; and,  
FIG. 7-9 are sectional views, shown at an enlarged scale, taken along line 7—7, 8—8, and 9—9, respectively, of FIG. 3.

**1 Claim, 3 Drawing Sheets**



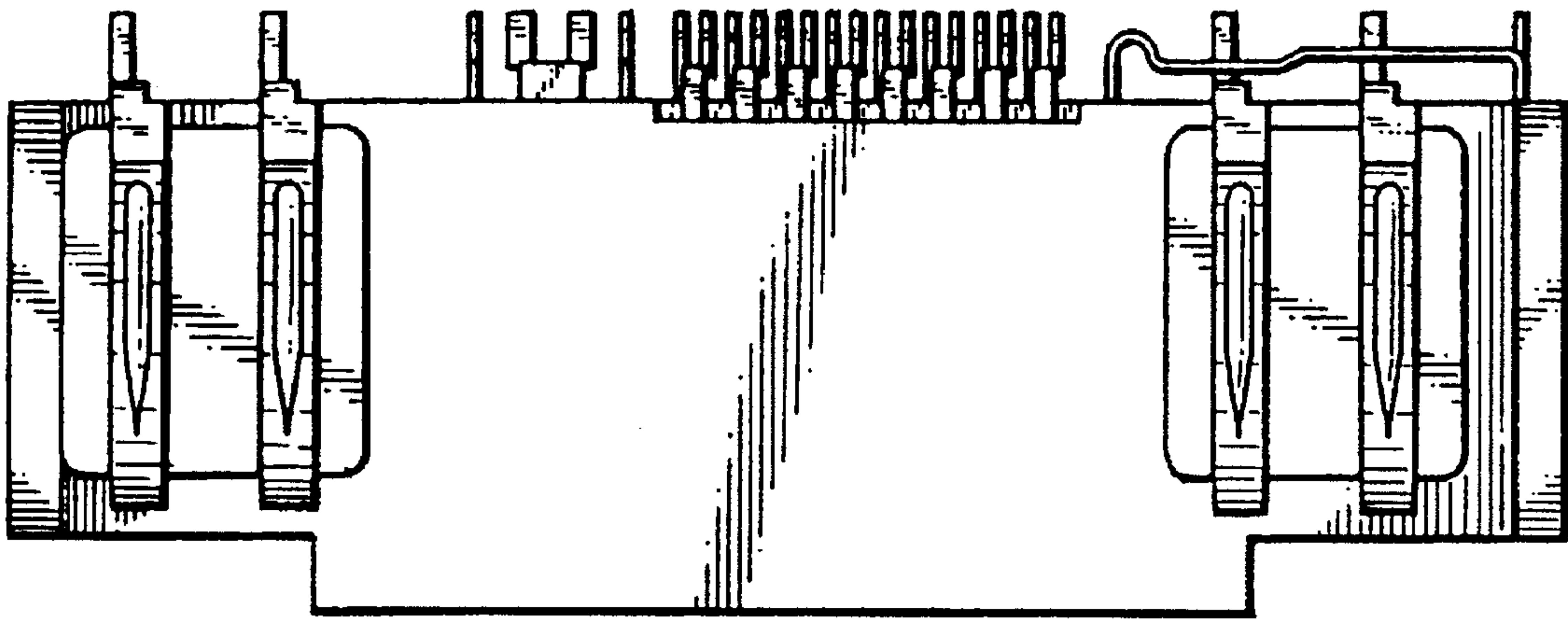


FIG. 1

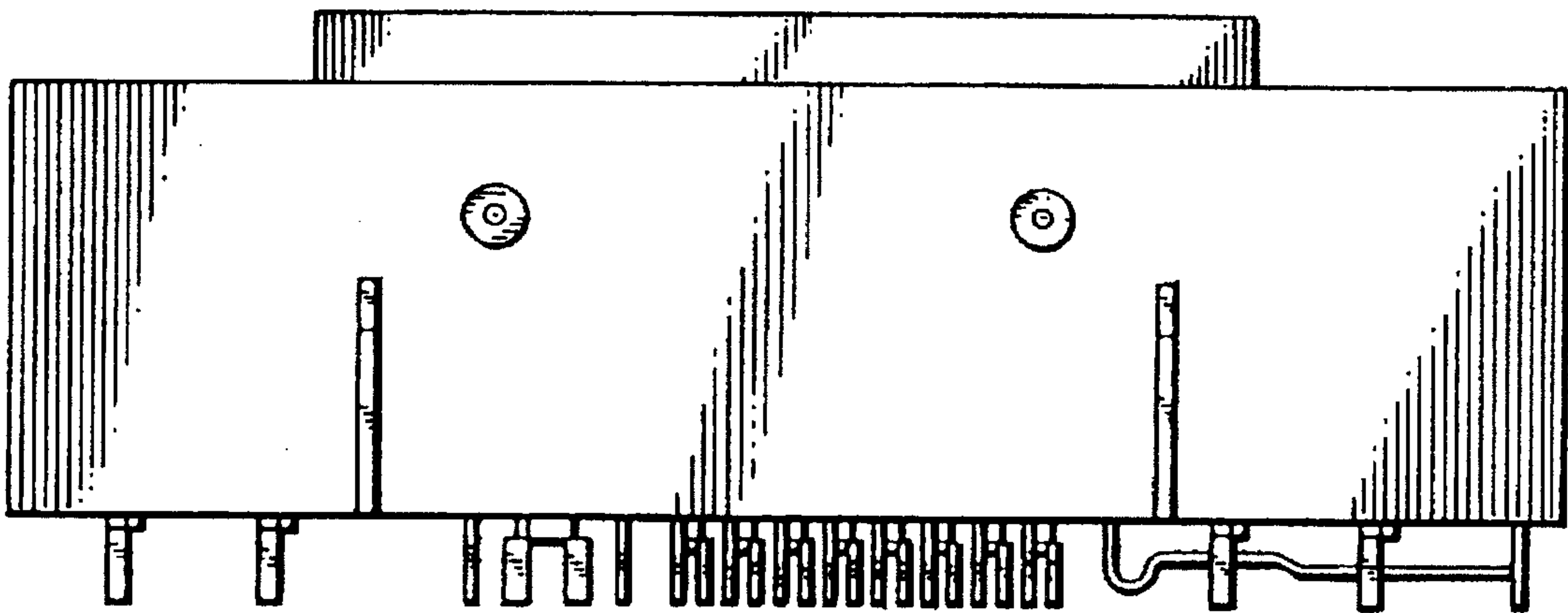


FIG. 2

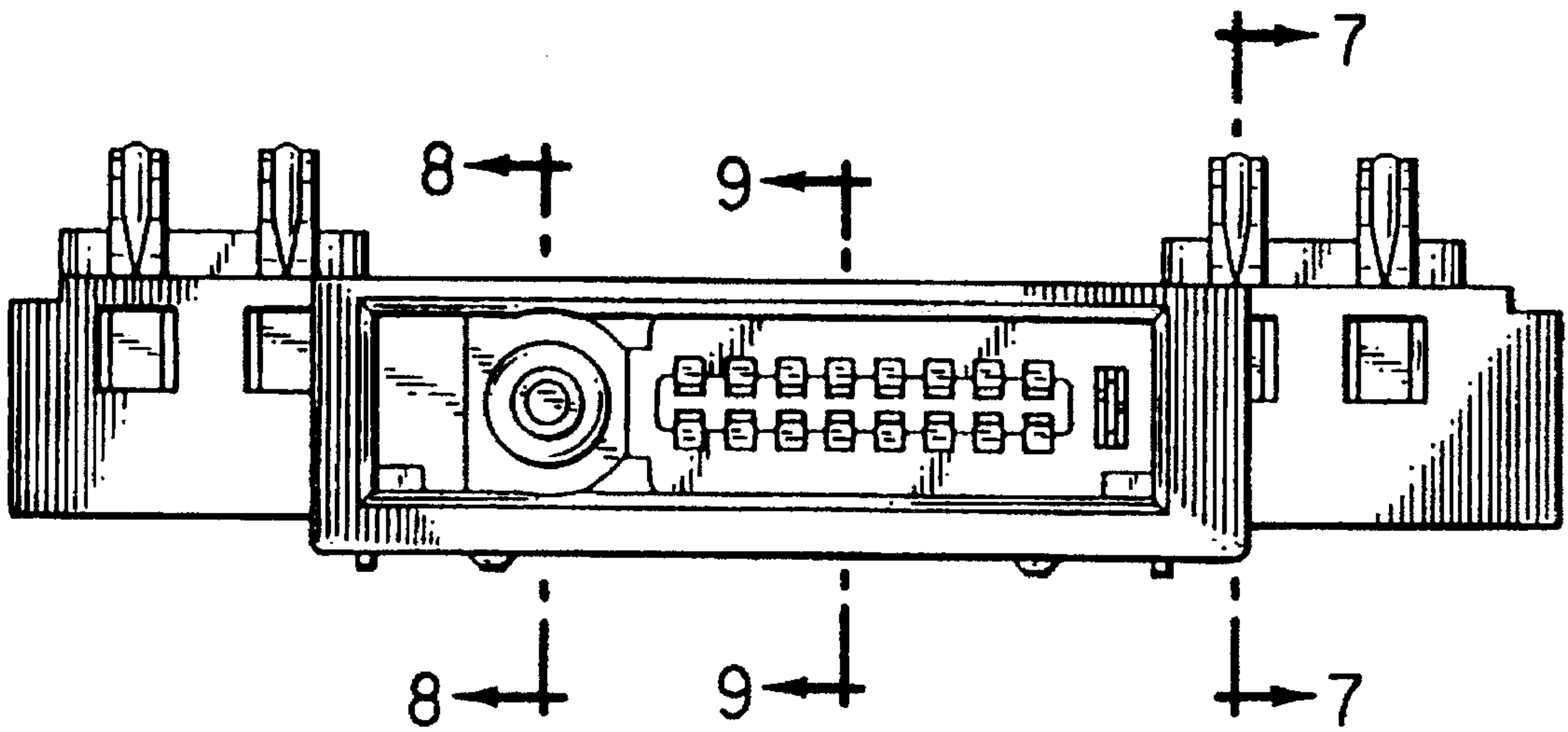


FIG. 3

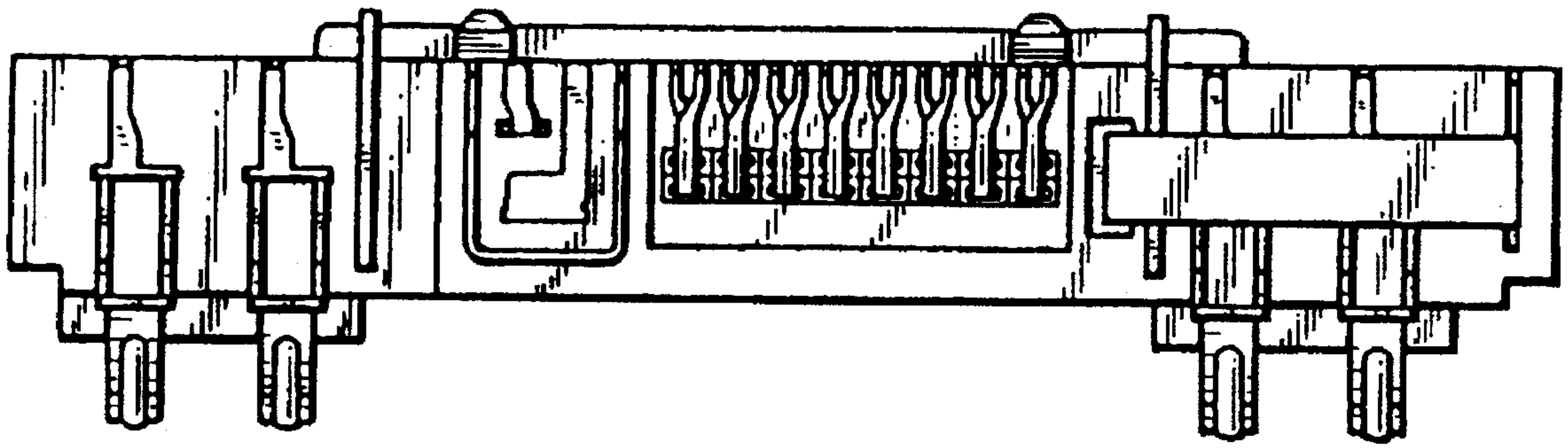


FIG. 4

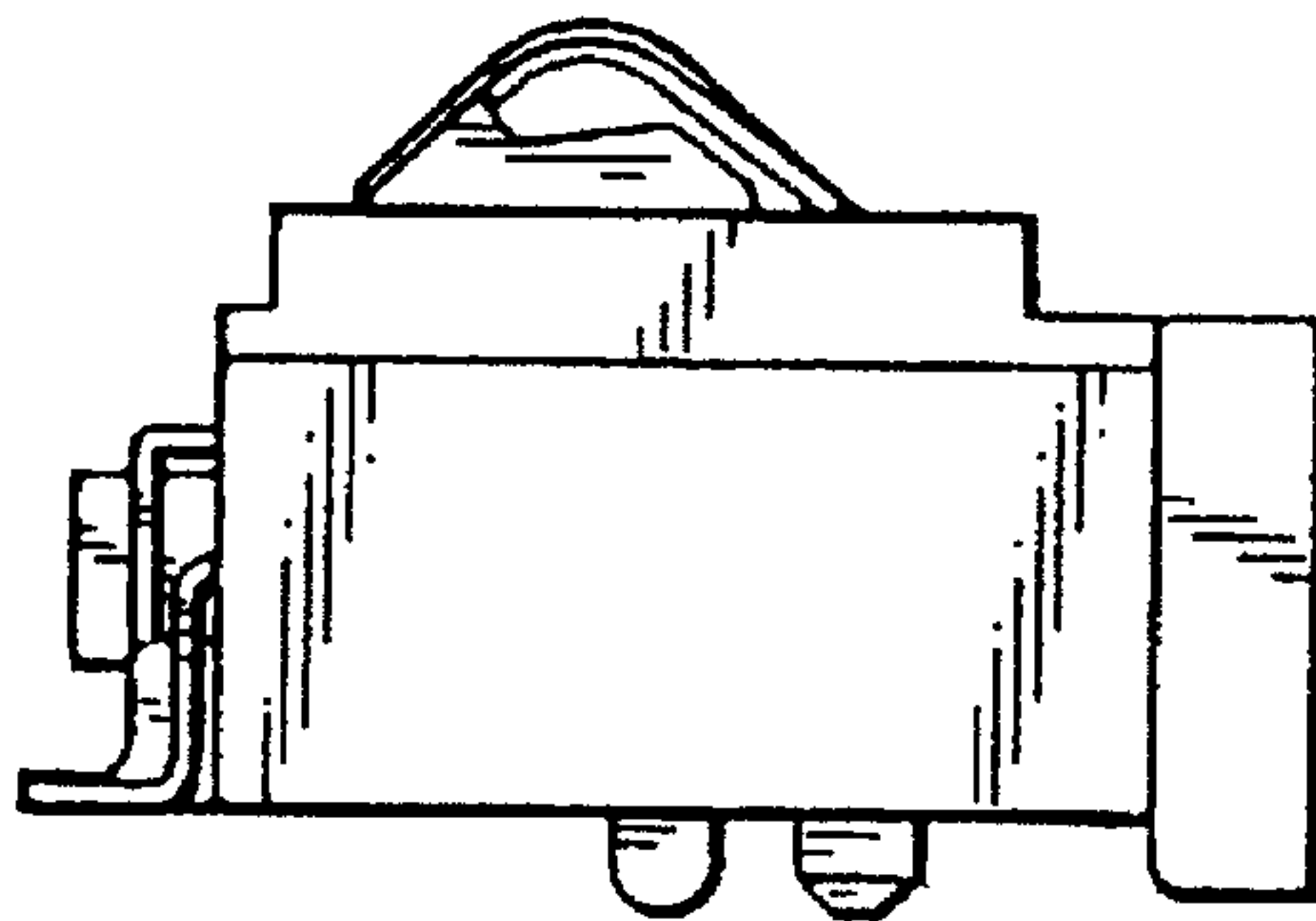


FIG. 5

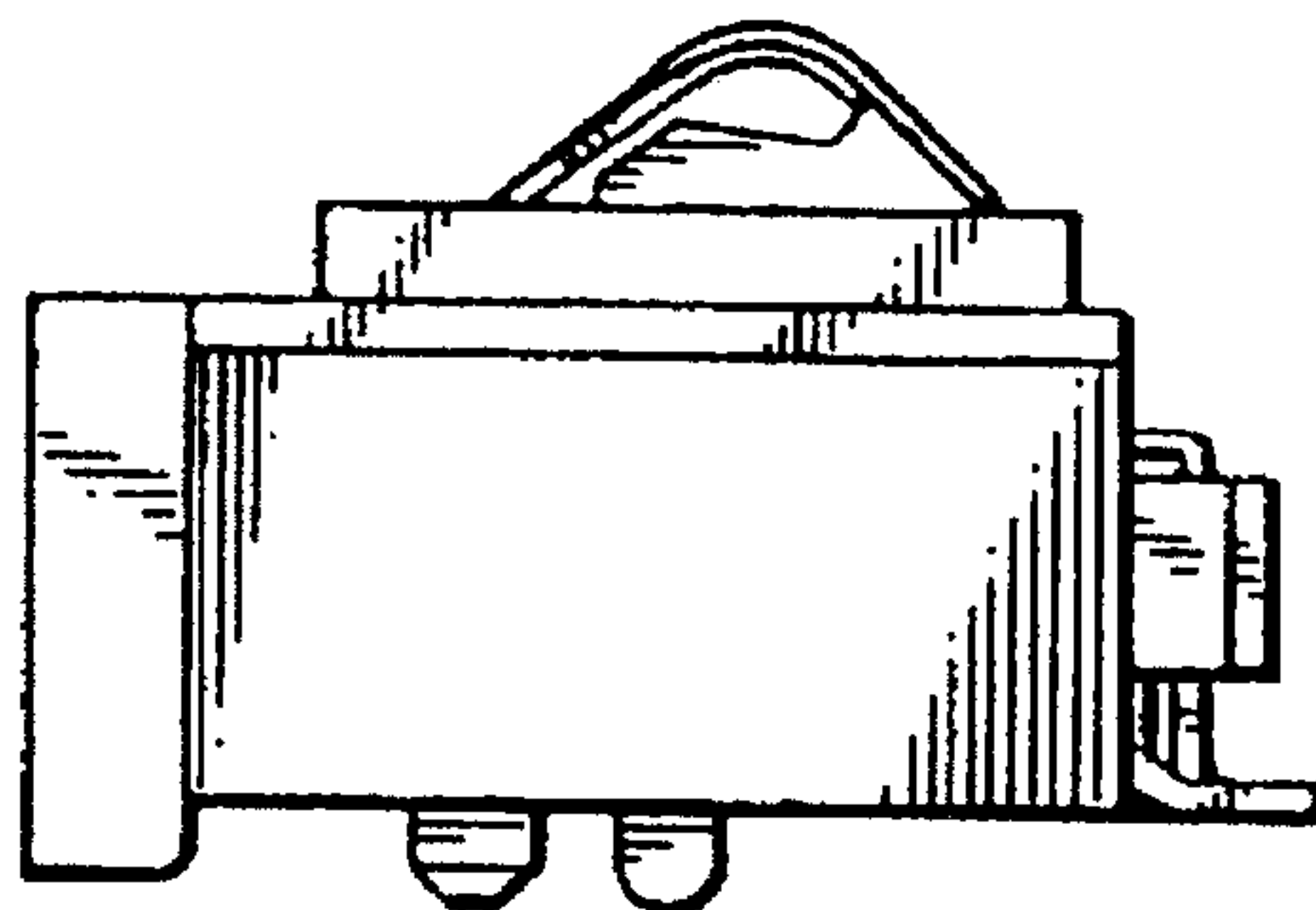


FIG. 6



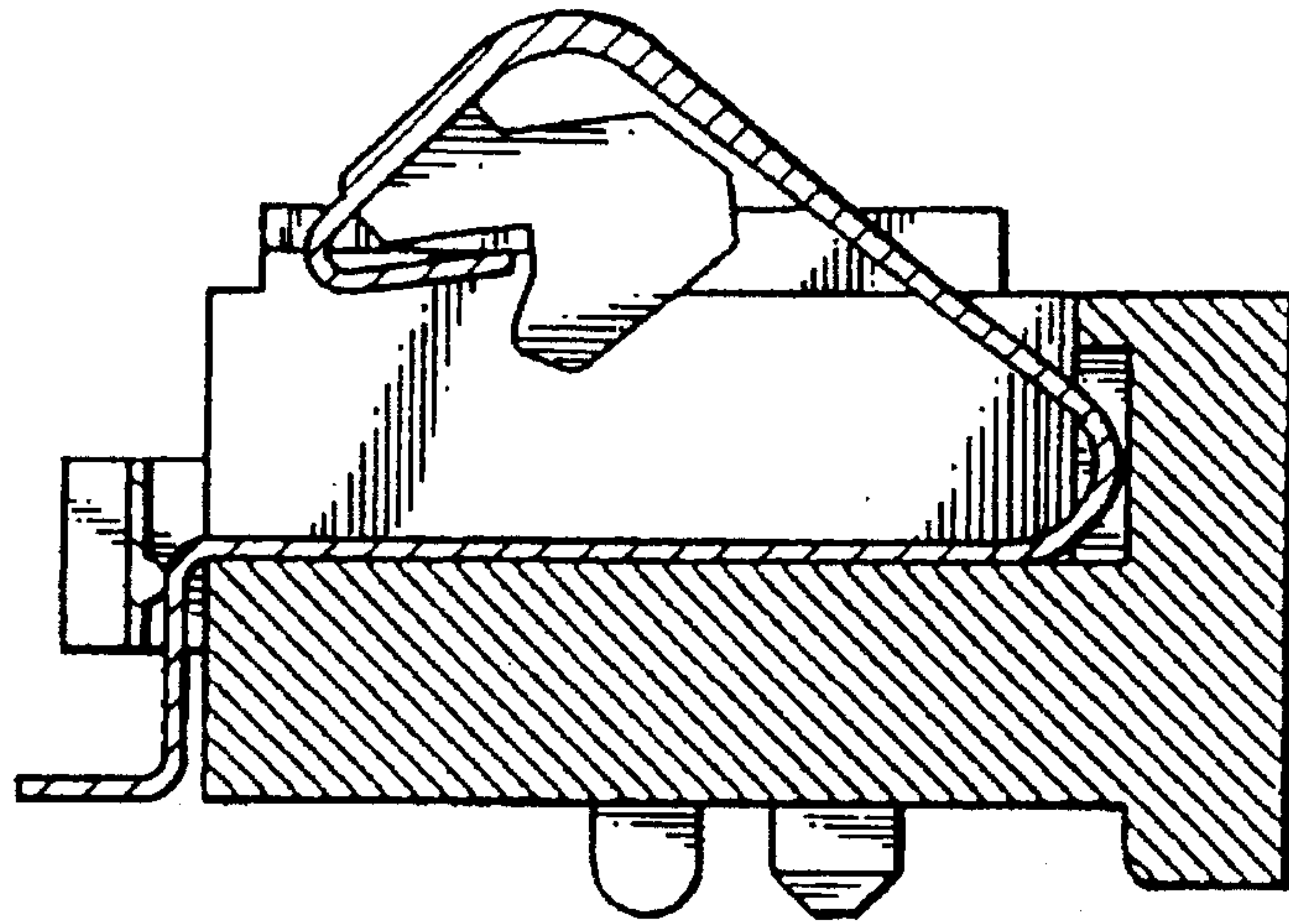


FIG. 7

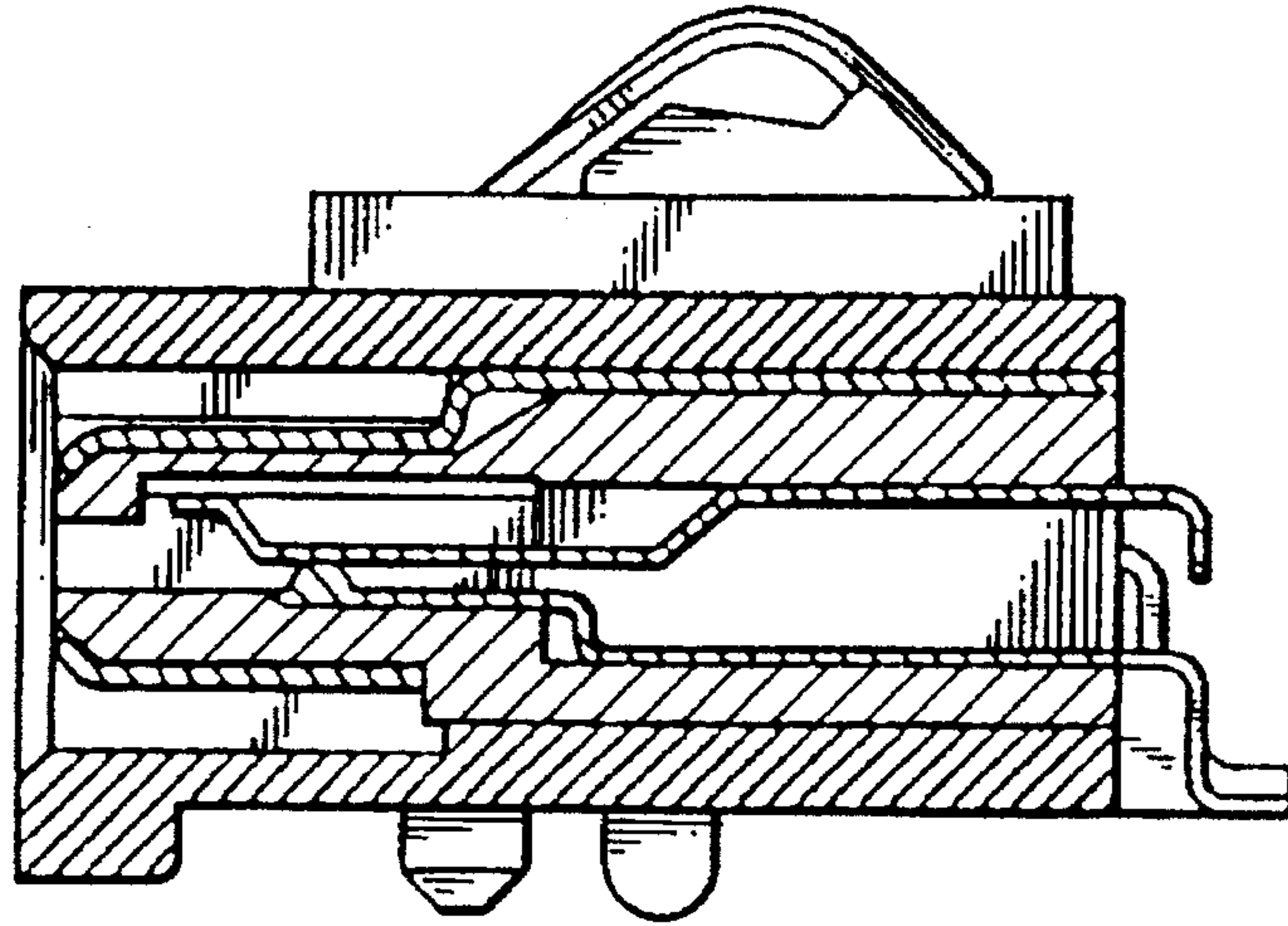


FIG. 8

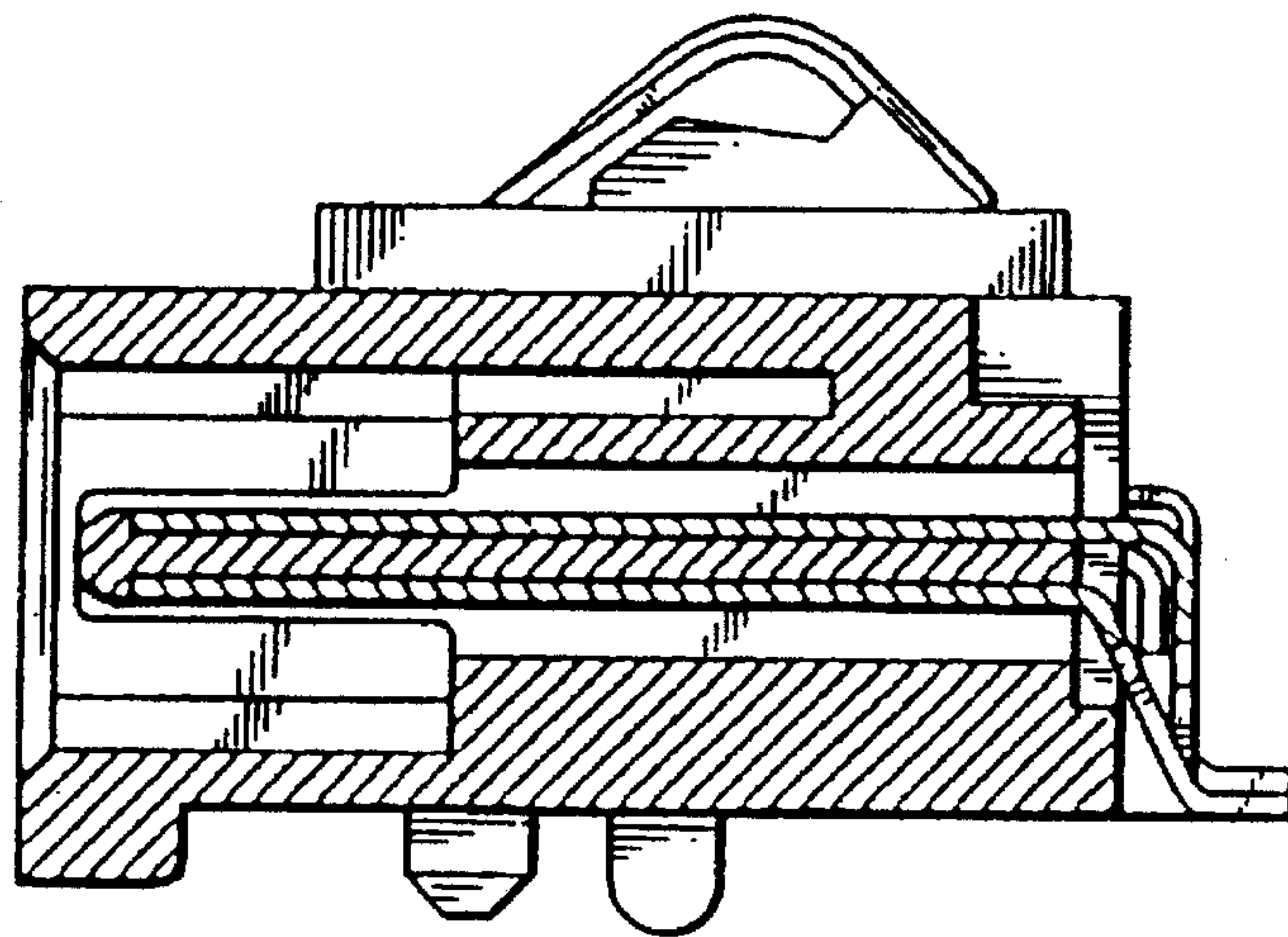


FIG. 9