



US00D383439S

United States Patent [19]

Tremmel et al.

[11] Patent Number: **Des. 383,439**

[45] Date of Patent: ****Sep. 9, 1997**

[54] **RETRACTABLE CORD SURGE PROTECTOR**

[75] Inventors: **Richard J. Tremmel**, Secaucus, N.J.;
Robert Roca, Los Angeles, Calif.;
Edward L. Hames, Peterborough, N.H.

[73] Assignee: **Curtis Computer Products, Inc.**,
Muscatine, Iowa

[**] Term: **14 Years**

[21] Appl. No.: **47,202**

[22] Filed: **Nov. 28, 1995**

[51] LOC (6) Cl. **13-03**

[52] U.S. Cl. **D13/142; D13/140**

[58] Field of Search **D13/140, 142,**
D13/160; D8/358; 439/4, 188, 501, 502,
650, 652; 191/12.4; 242/385.1, 403

[56] **References Cited**

U.S. PATENT DOCUMENTS

D. 324,669 3/1992 Co D13/140

D. 335,865 5/1993 Sanders D13/140
D. 372,702 8/1996 Sanner D13/142
5,344,339 9/1994 Cheslock 439/501
5,481,607 1/1996 Hsiao 439/501 X

Primary Examiner—Joel Sincavage
Attorney, Agent, or Firm—Richard P. Crowley

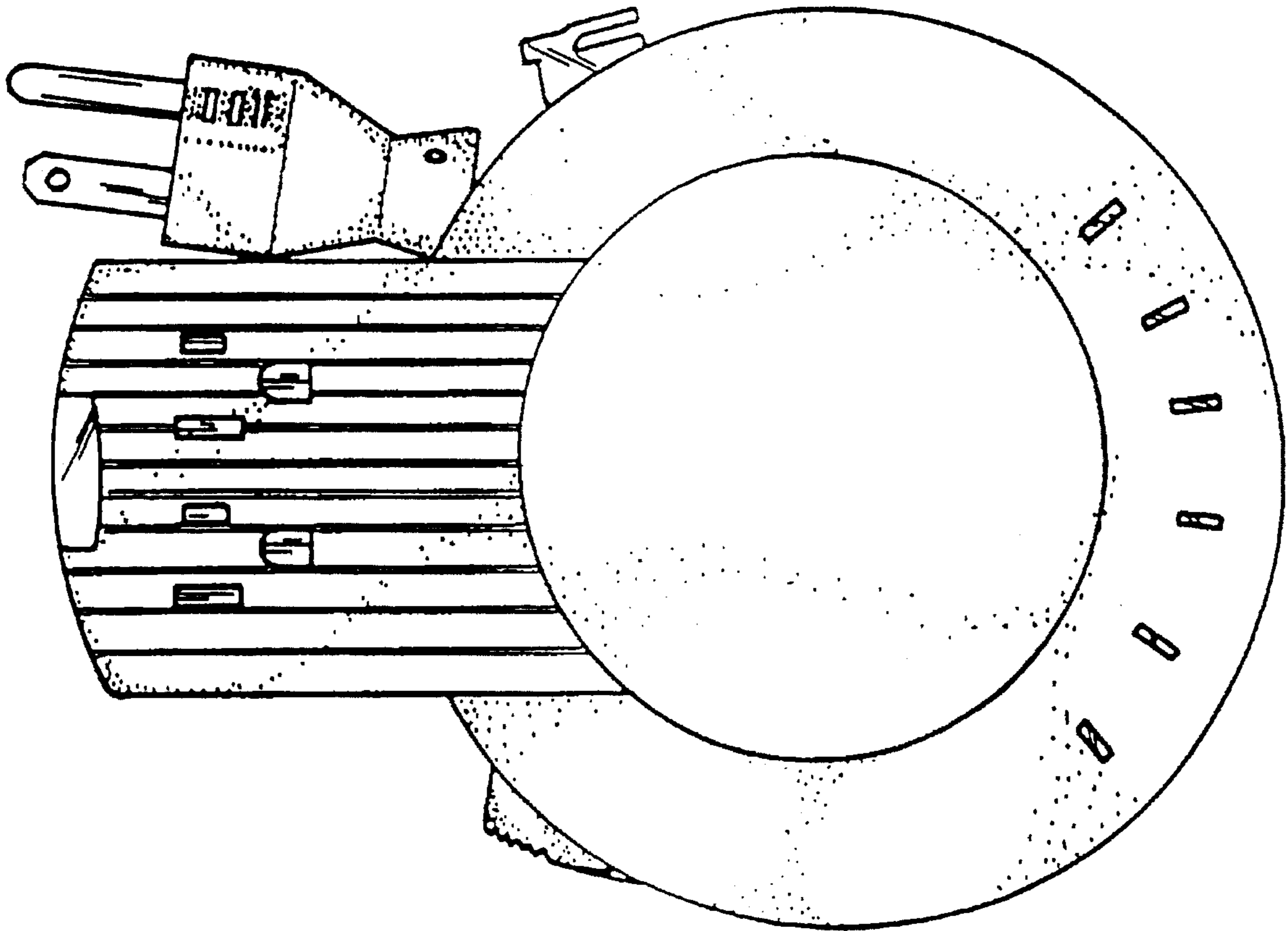
[57] **CLAIM**

The ornamental design for a retractable cord surge protector, as shown and described.

DESCRIPTION

FIG. 1 is a front elevational view of the retractable cord surge protector of our new design;
FIG. 2 is a rear elevational view thereof;
FIG. 3 is a top plan view thereof;
FIG. 4 is a bottom plan view thereof;
FIG. 5 is a side elevational view thereof; and,
FIG. 6 is a side elevational view of the opposite side thereof.

1 Claim, 2 Drawing Sheets



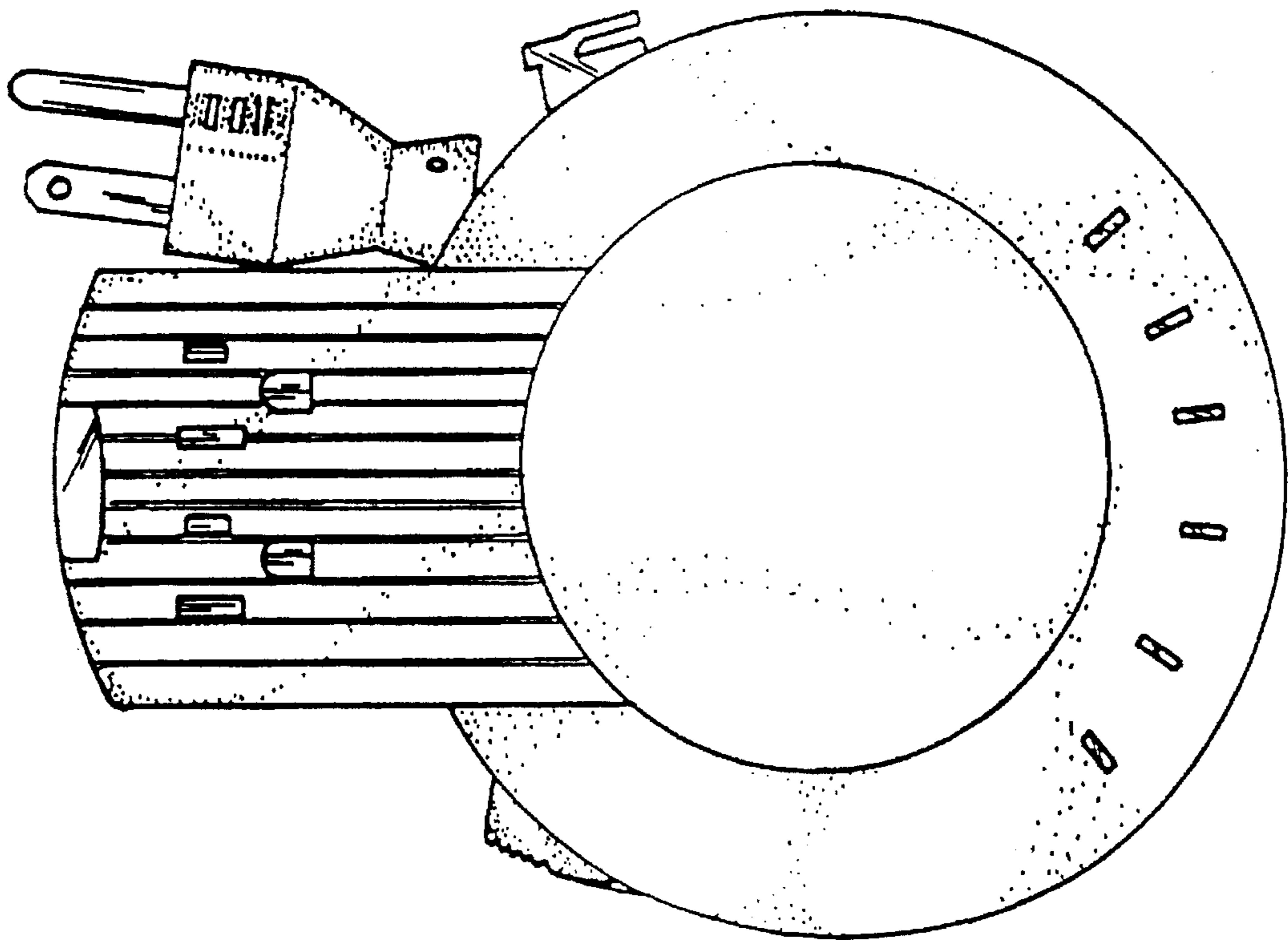


FIG. 1

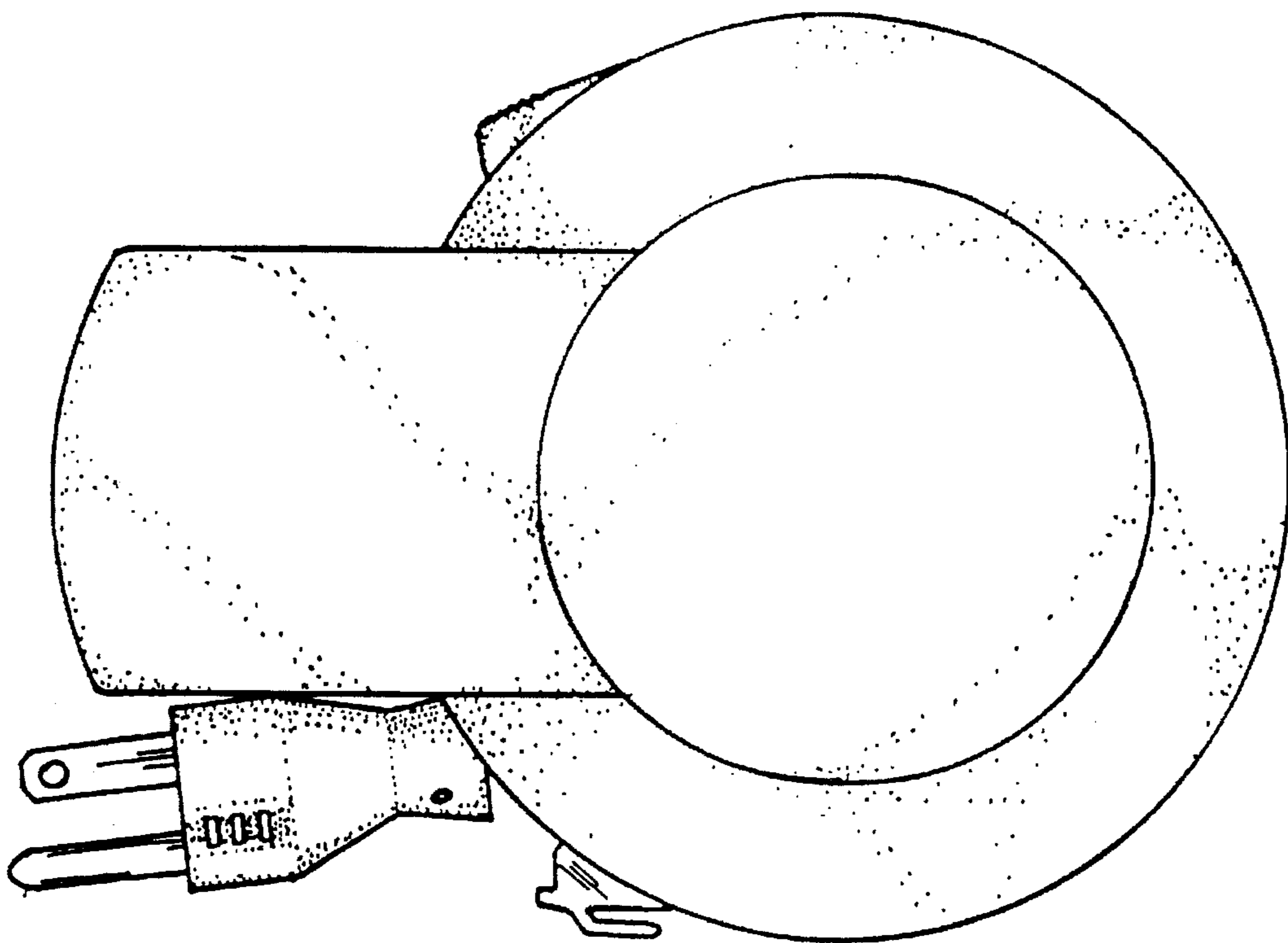


FIG. 2

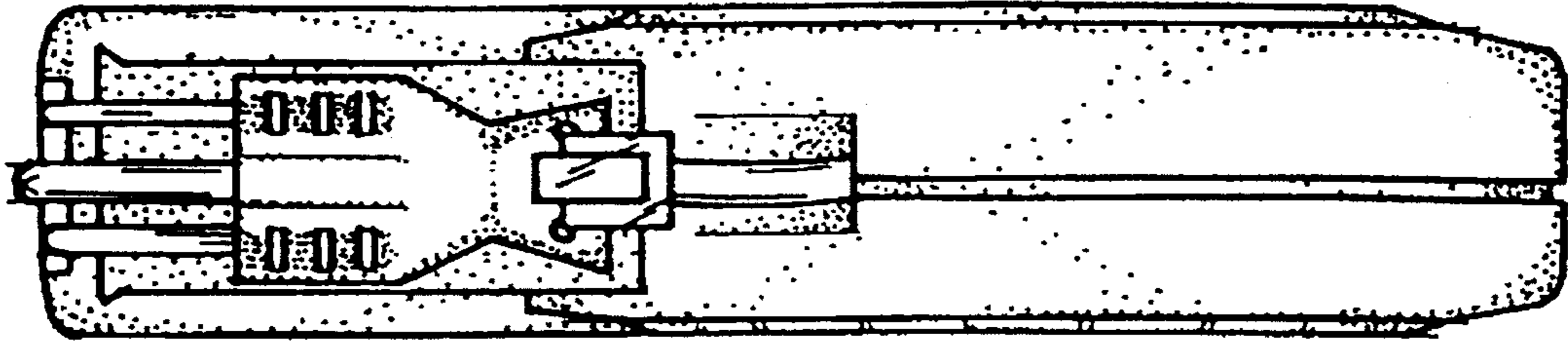


FIG. 6

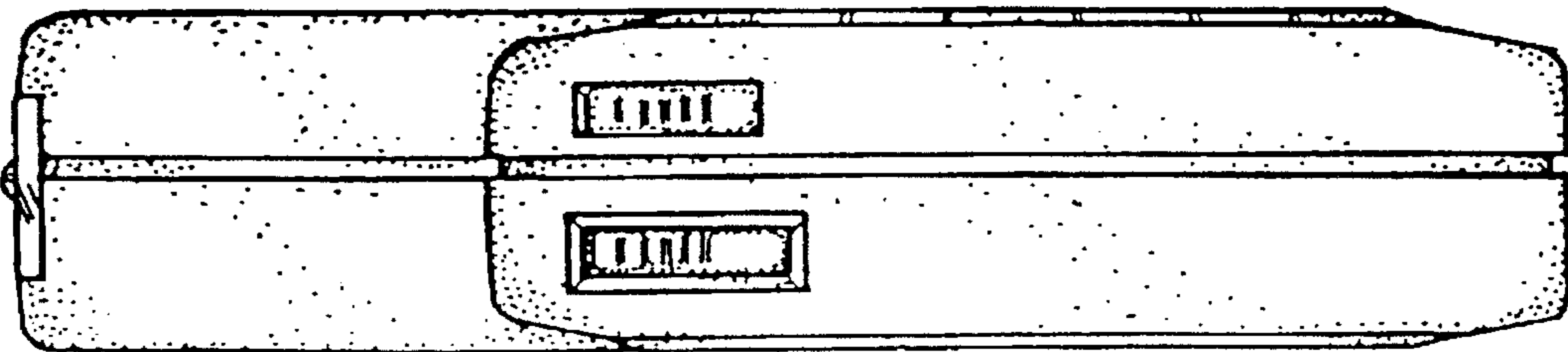


FIG. 5

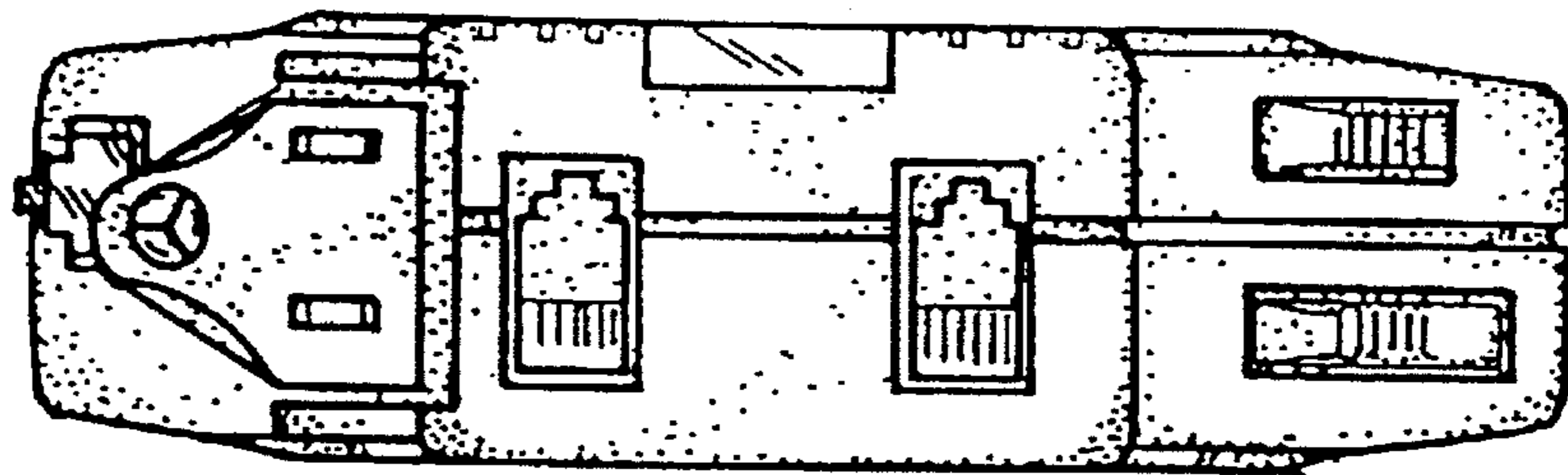


FIG. 4

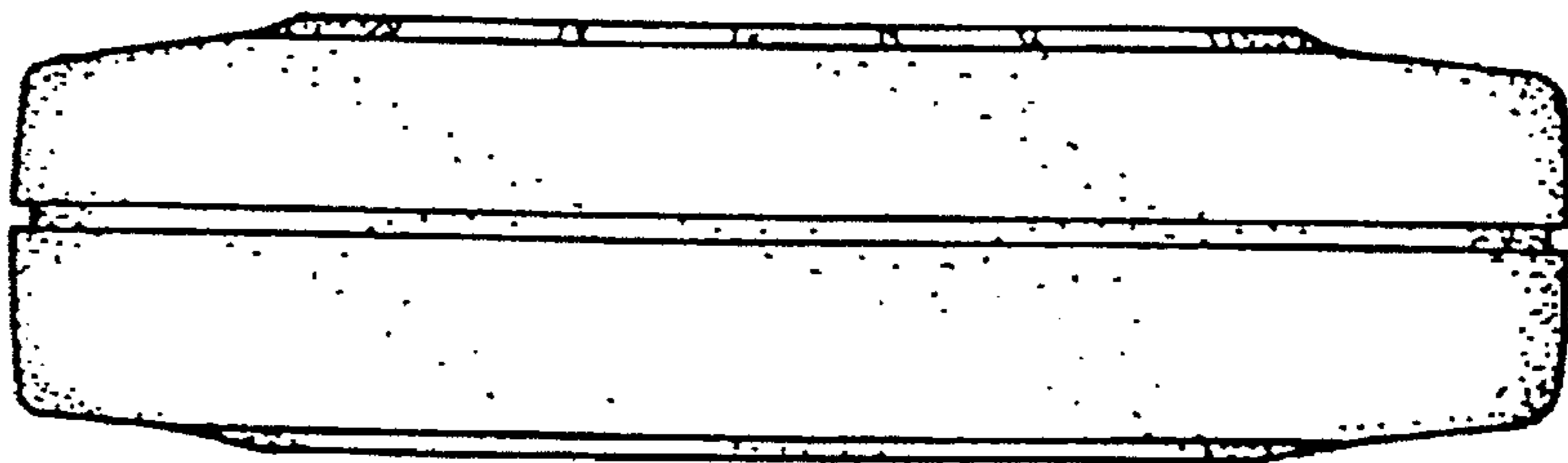


FIG. 3