



US00D383435S

United States Patent [19] Svetlik

[11] Patent Number: **Des. 383,435**

[45] Date of Patent: ****Sep. 9, 1997**

[54] **BATTERY PACK**

[75] Inventor: **Kenneth N. Svetlik**, Schaumburg, Ill.

[73] Assignee: **S-B Power Tool Company**, Chicago, Ill.

[**] Term: **14 Years**

[21] Appl. No.: **48,068**

[22] Filed: **Dec. 19, 1995**

[51] LOC (6) Cl. **13-02**

[52] U.S. Cl. **D13/103**

[58] **Field of Search** D13/101, 102,
D13/103, 104, 107, 108; 429/96-100, 163,
175, 176, 181, 187

[56] **References Cited**

U.S. PATENT DOCUMENTS

- D. 301,229 5/1989 Weimann D13/103
- D. 306,851 3/1990 Weiman D13/103

- D. 313,391 1/1991 Pudwill D13/103
- D. 330,188 10/1992 McCray et al. .
- D. 334,012 3/1993 Chen D13/103
- D. 335,277 5/1993 Hattori D13/103
- D. 358,126 5/1995 Sakuma D13/103

Primary Examiner—A. Hugo Word
Assistant Examiner—Robin V. Taylor
Attorney, Agent, or Firm—Jones, Day, Reavis & Pogue

[57] **CLAIM**

The ornamental design for a battery pack, as shown and described.

DESCRIPTION

FIG. 1 is a perspective view of the battery pack;
FIG. 2 is a side view of the battery pack (the opposite side not shown is the same as the side shown);
FIG. 3 is a front view of the battery pack (the rear view not shown is the same as the side shown);
FIG. 4 is a top view of the battery pack; and,
FIG. 5 is a bottom view of the battery pack.

1 Claim, 1 Drawing Sheet

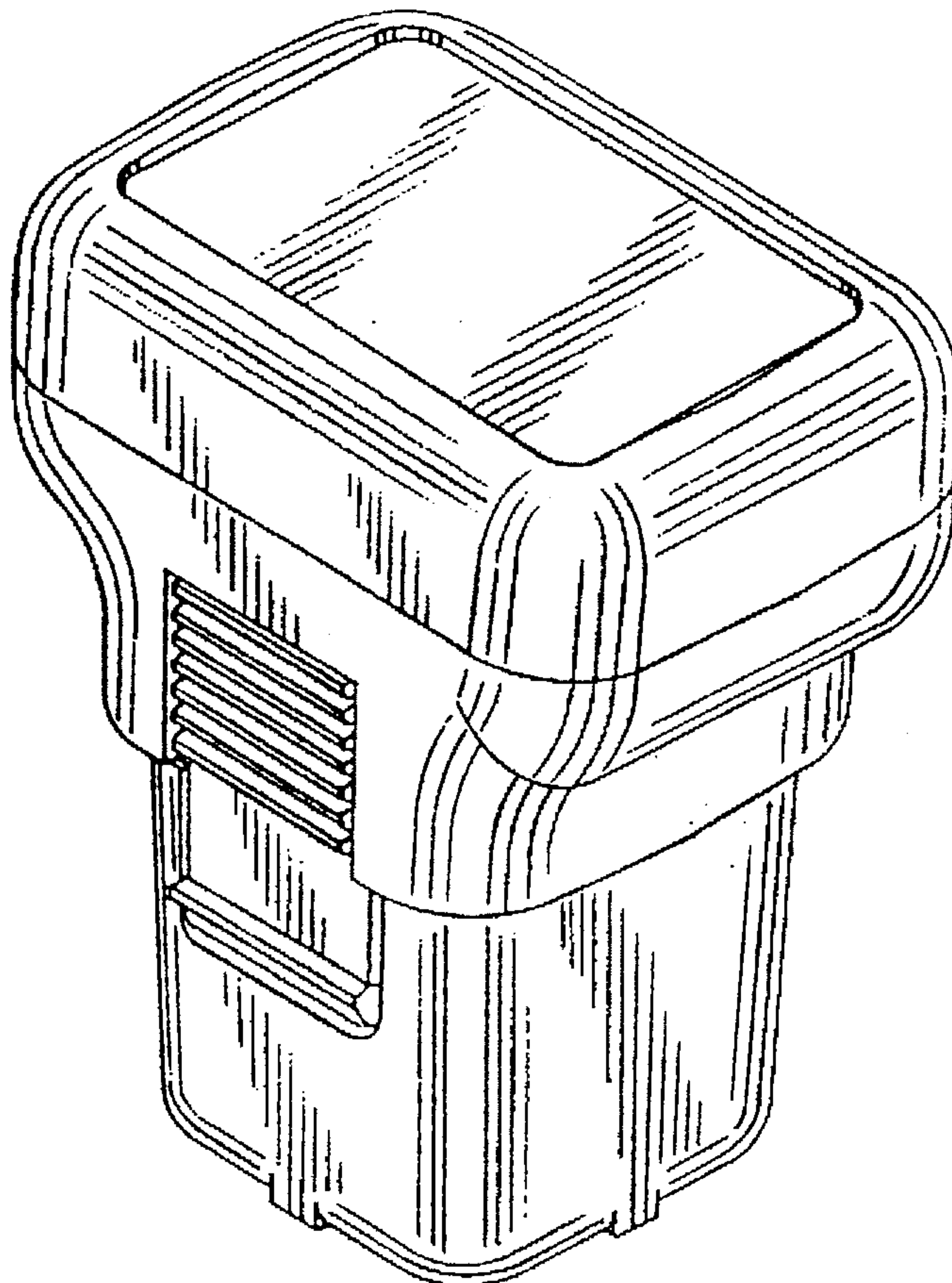


FIG. 1

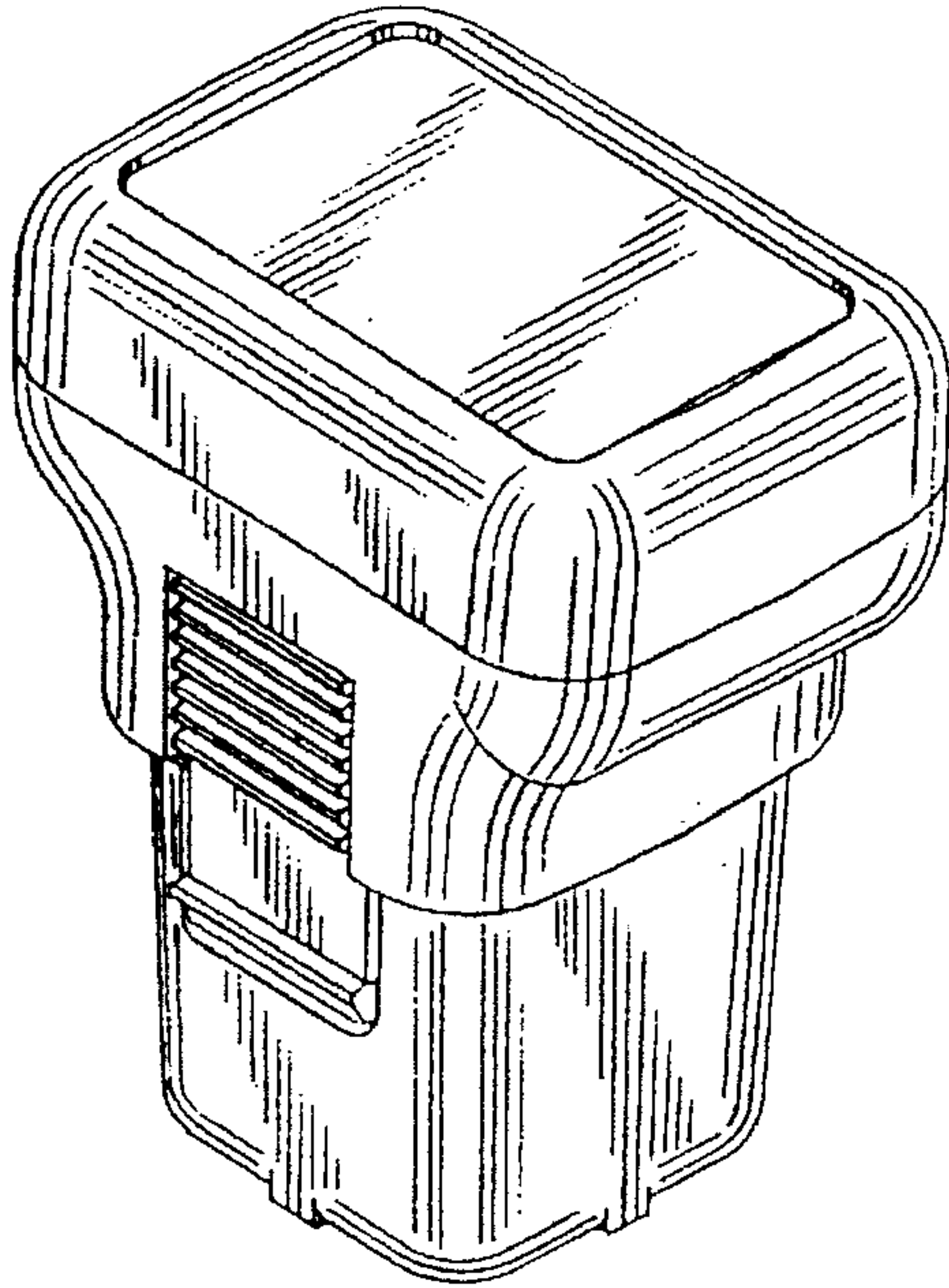


FIG. 2

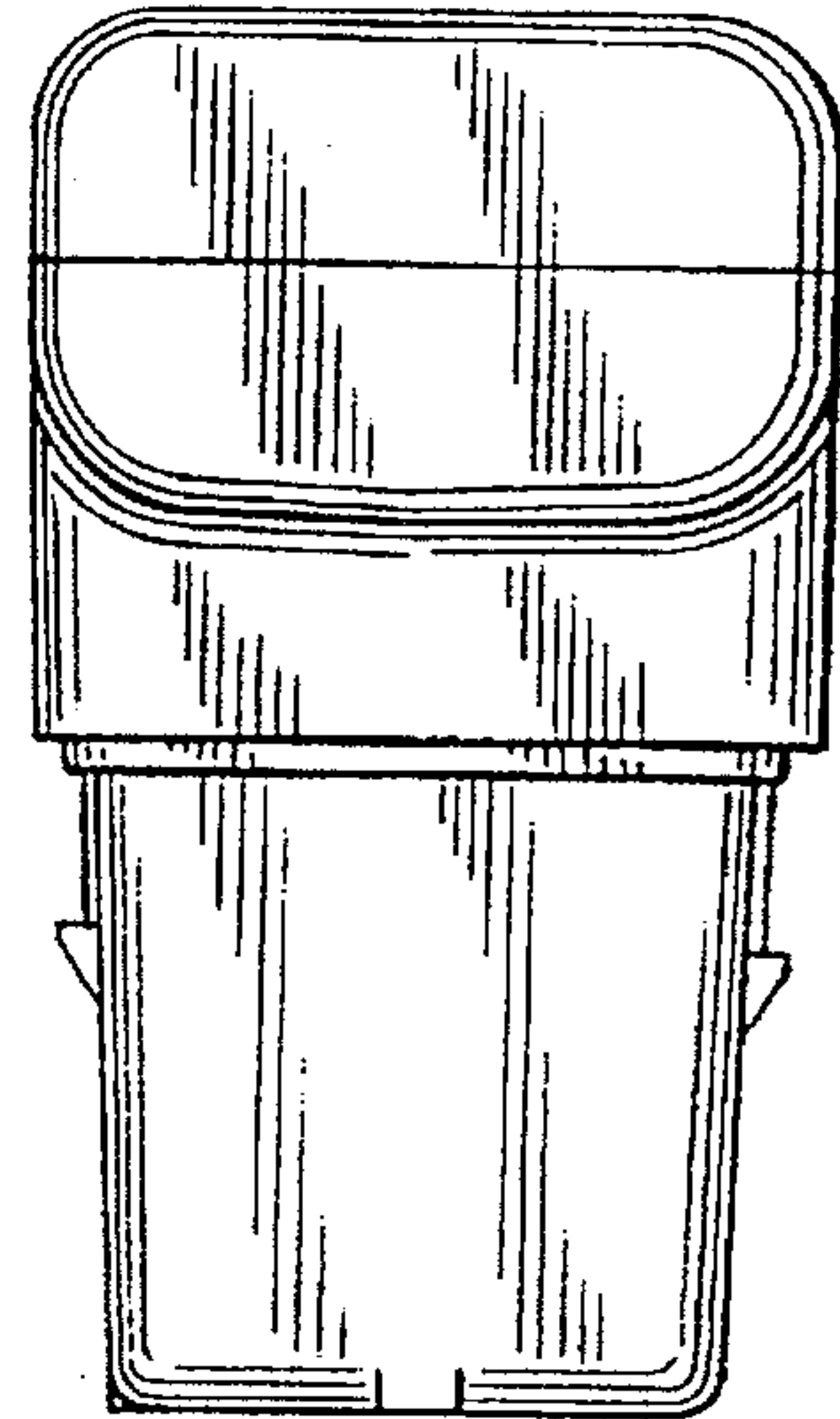


FIG. 3

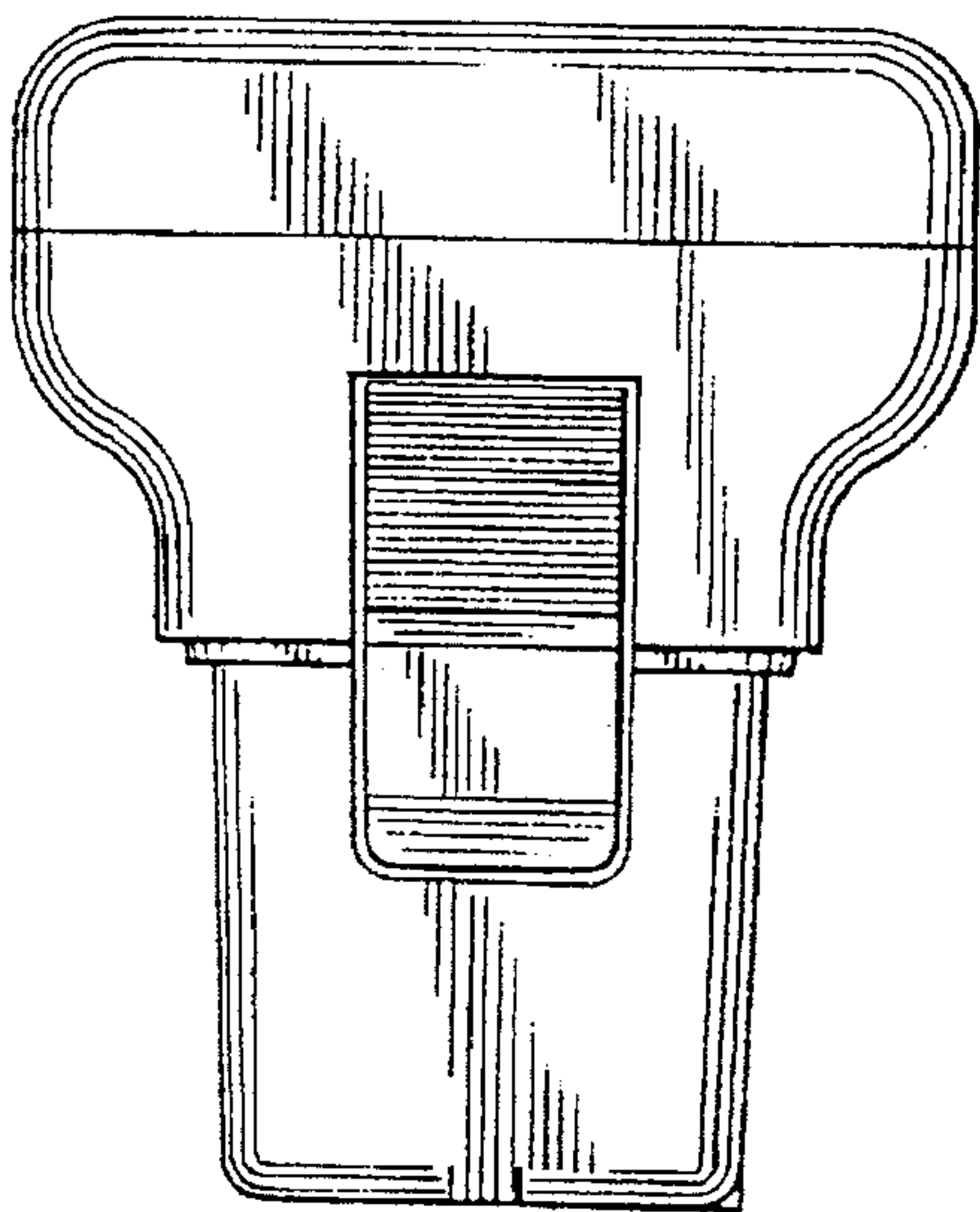


FIG. 4

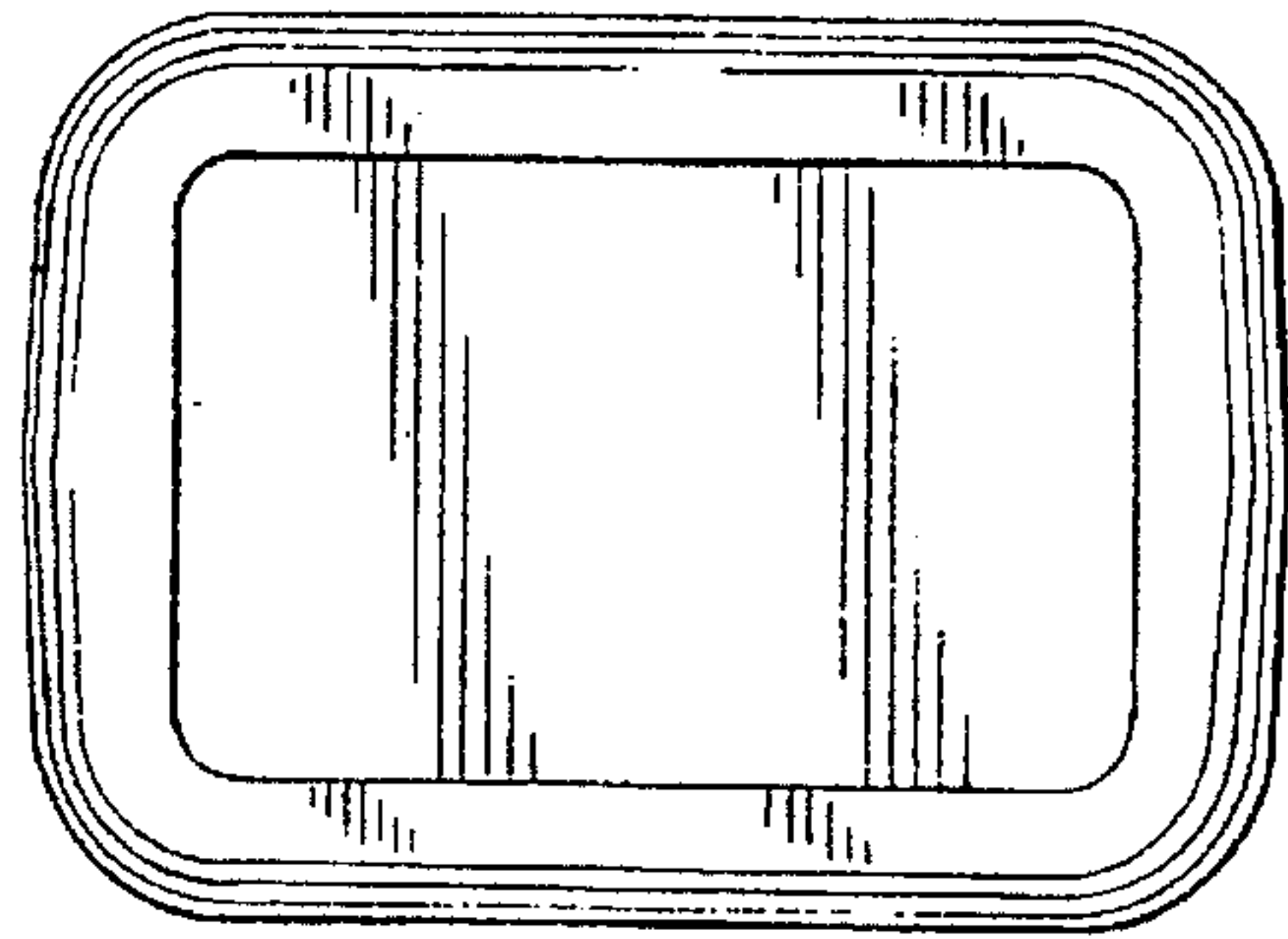


FIG. 5

