



US00D383430S

United States Patent [19]
Jeffries

[11] **Patent Number:** **Des. 383,430**

[45] **Date of Patent:** ****Sep. 9, 1997**

[54] **HEAD LIGHT SUPPORTING ARM**

[76] **Inventor:** **Jerry Jeffries**, 23358 Los Pocitos,
Laguna Hills, Calif. 92653

[**] **Term:** **14 Years**

[21] **Appl. No.:** **47,505**

[22] **Filed:** **Dec. 6, 1995**

[51] **LOC (6) Cl.** **12-06**

[52] **U.S. Cl.** **D12/223**

[58] **Field of Search** **D8/349, 354; D12/223;**
248/300, 200; 280/96.1; 362/61

[56] **References Cited**

U.S. PATENT DOCUMENTS

D. 259,017	4/1981	Einhorn	D8/367
D. 370,402	6/1996	Anand et al.	D8/354
5,010,456	4/1991	Reichman et al.	362/61

Primary Examiner—Holly Baynham
Attorney, Agent, or Firm—Price, Gess & Ubell

[57] **CLAIM**

The ornamental design for the head light supporting arm, as shown and described.

DESCRIPTION

FIG. 1 is a perspective view of the head light supporting arm of the present invention;

FIG. 2 is an enlarged front plan view of the head light supporting arm of FIG. 1;

FIG. 3 is a rear plan view of the head light supporting arm of FIG. 1;

FIG. 4 is a right side elevational view of the head light supporting arm of FIG. 1;

FIG. 5 is a left side elevational view of the head light supporting arm of FIG. 1;

FIG. 6 is a top plan view of the head light supporting arm of FIG. 1; and,

FIG. 7 is a bottom plan view of the head light supporting arm of FIG. 1.

The broken line showing of a partial truck is for illustrative purposes only and forms no part of the claimed design.

1 Claim, 2 Drawing Sheets

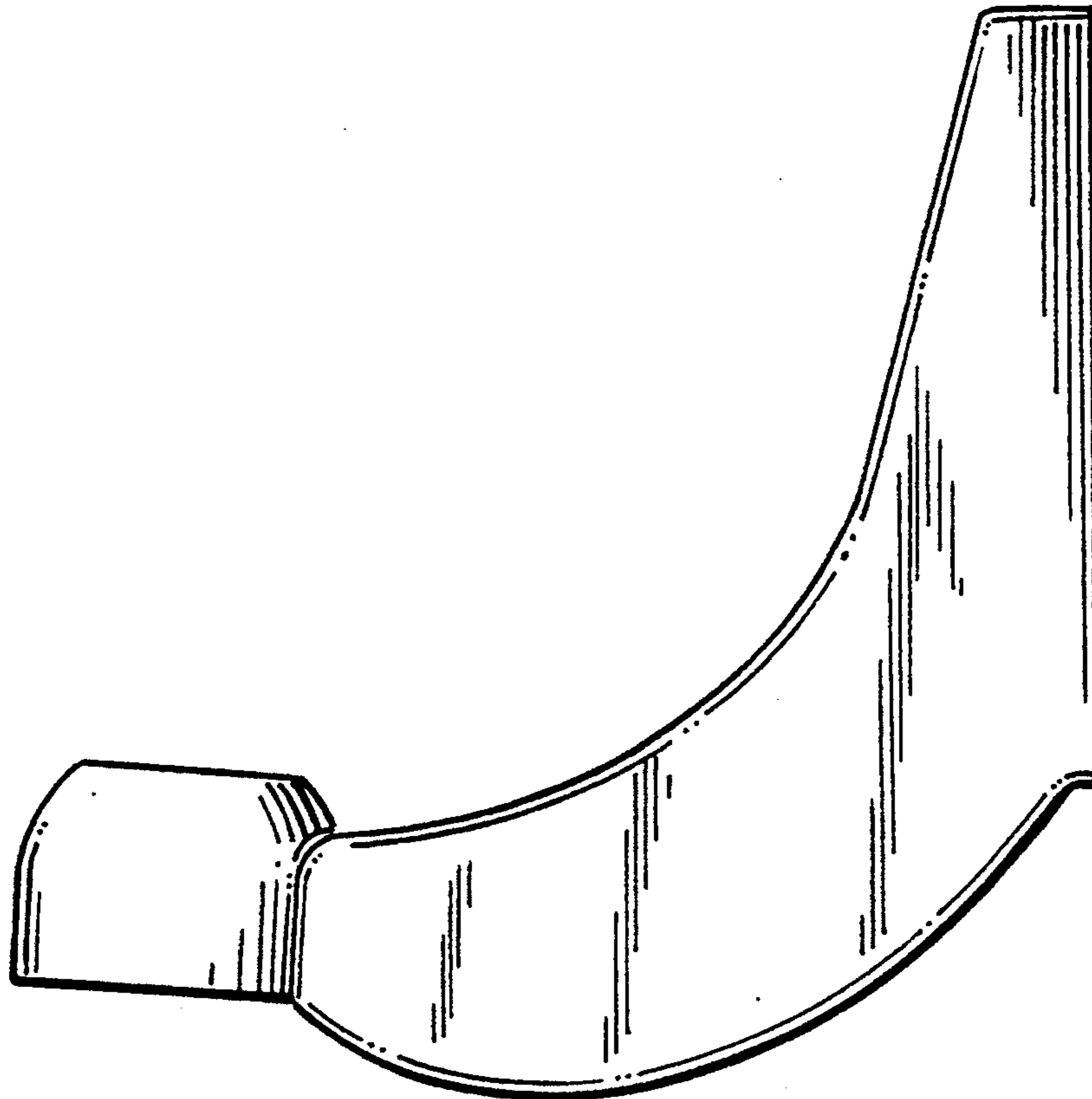
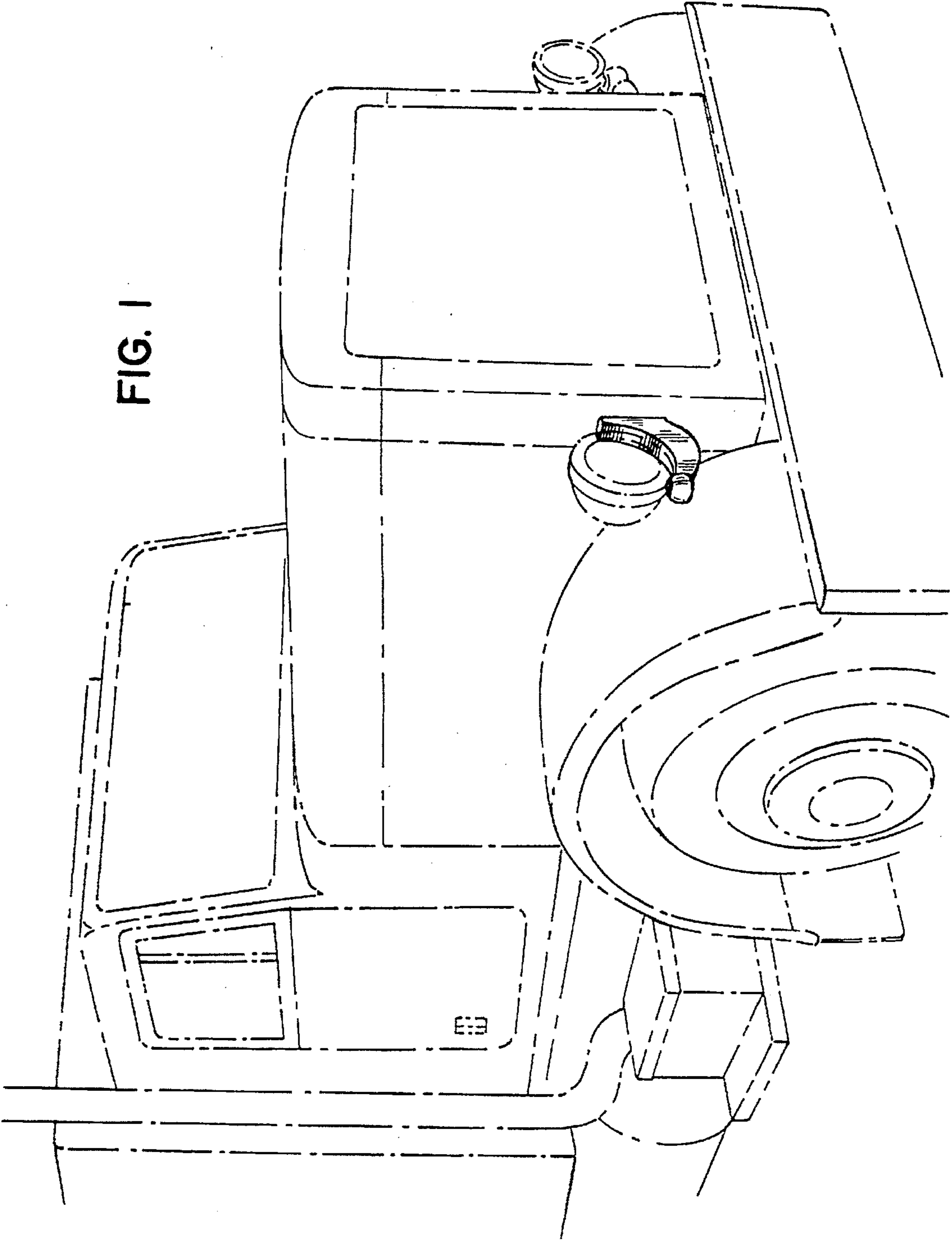


FIG. 1



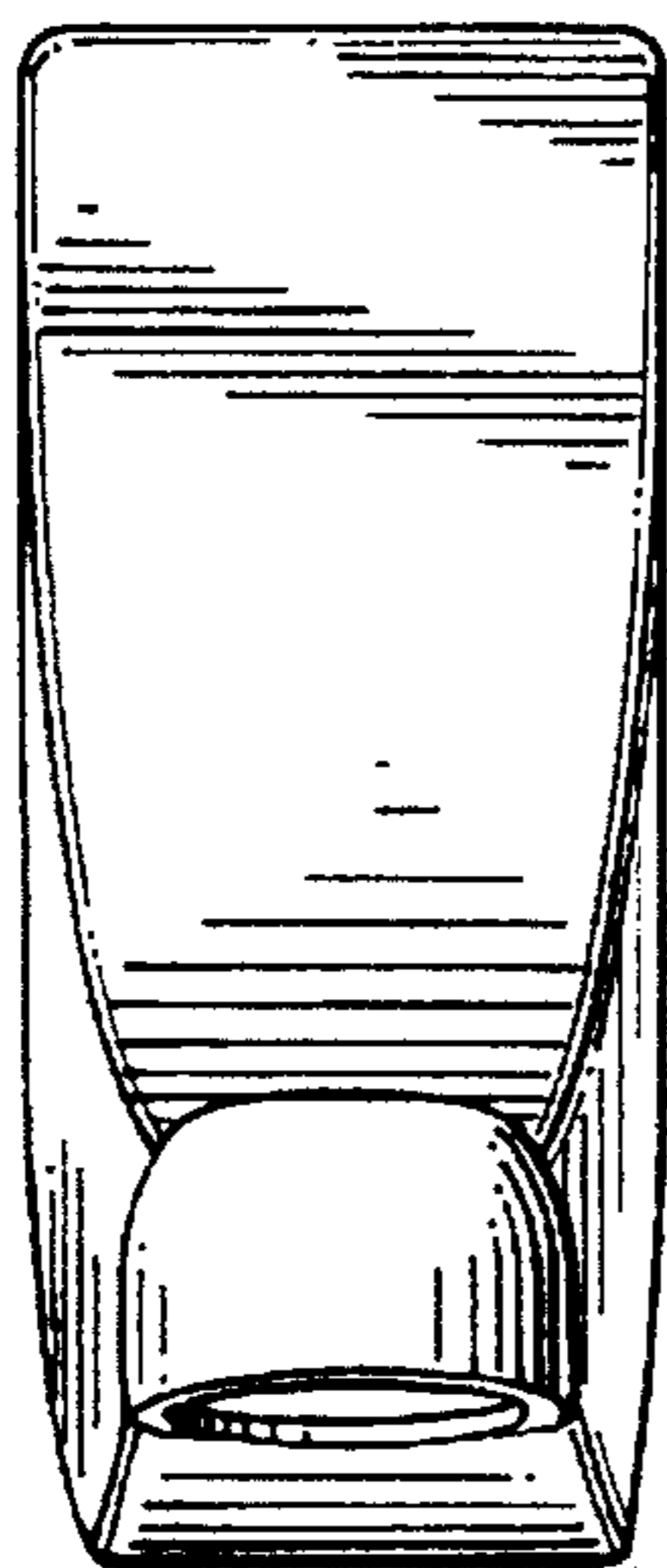


FIG. 2

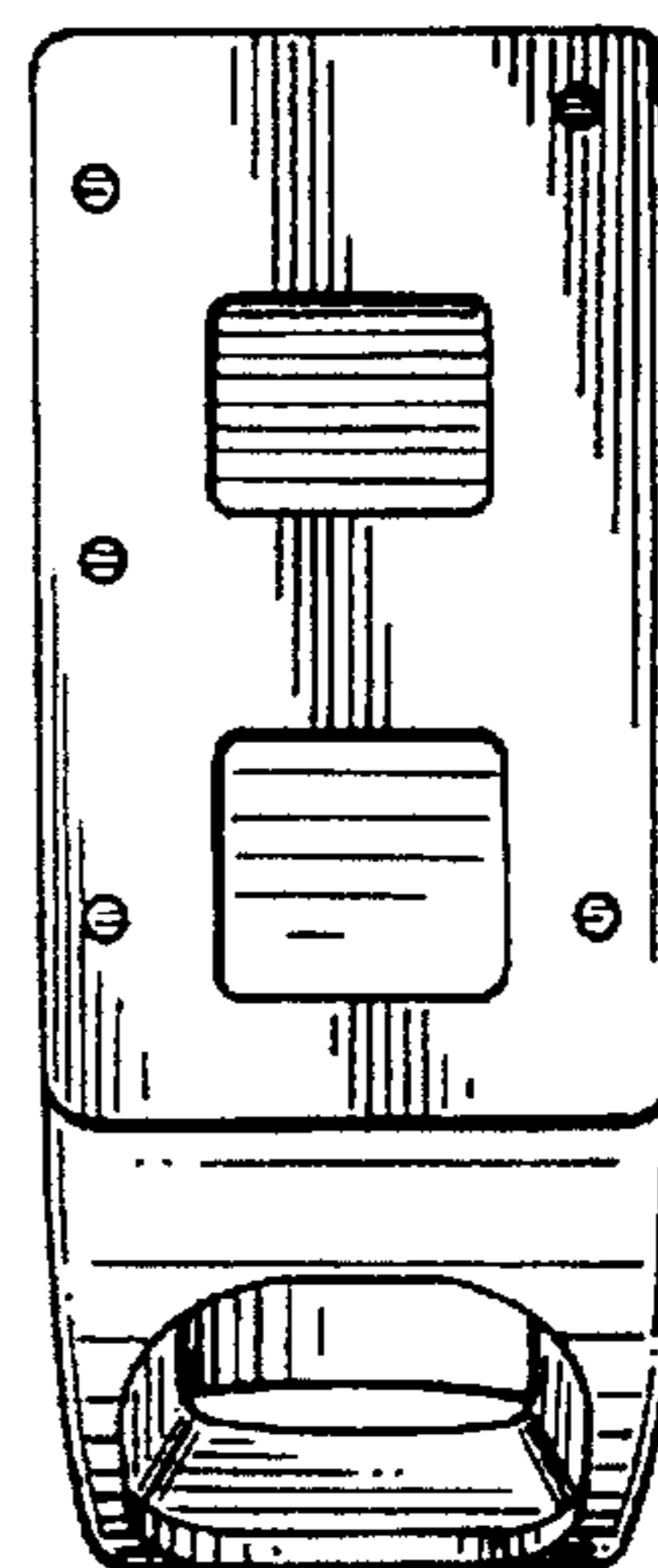


FIG. 3

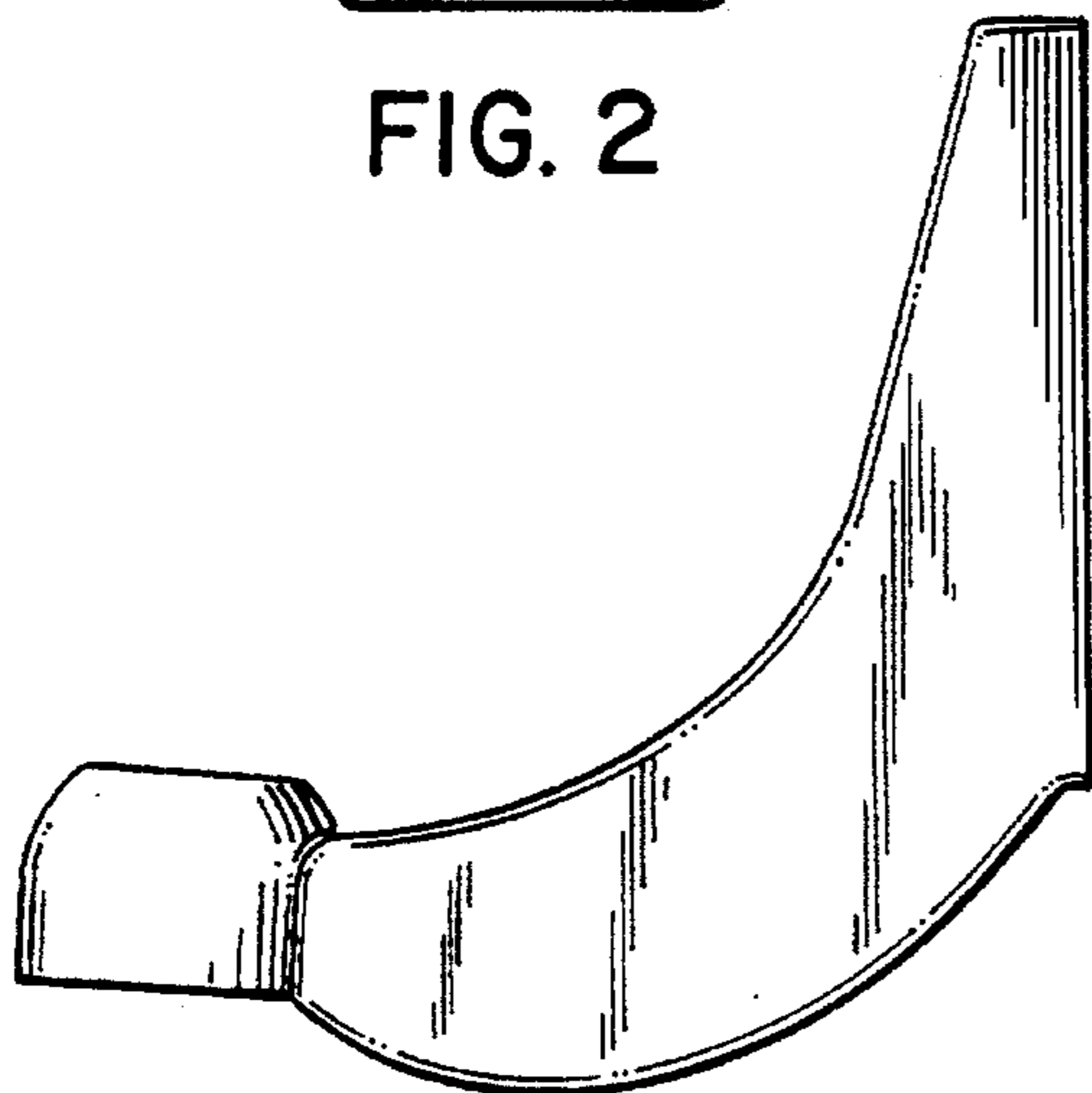


FIG. 4

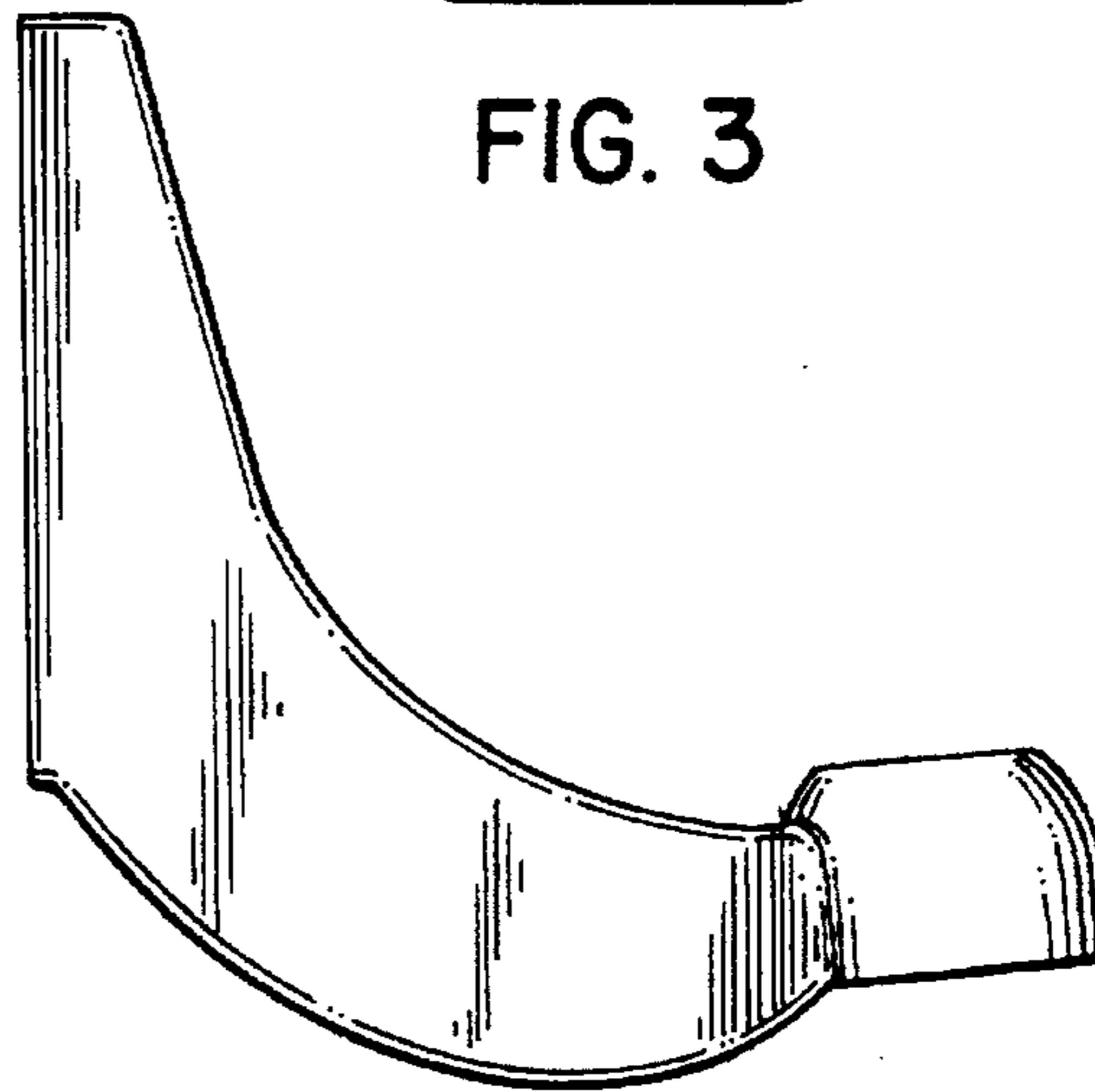


FIG. 5

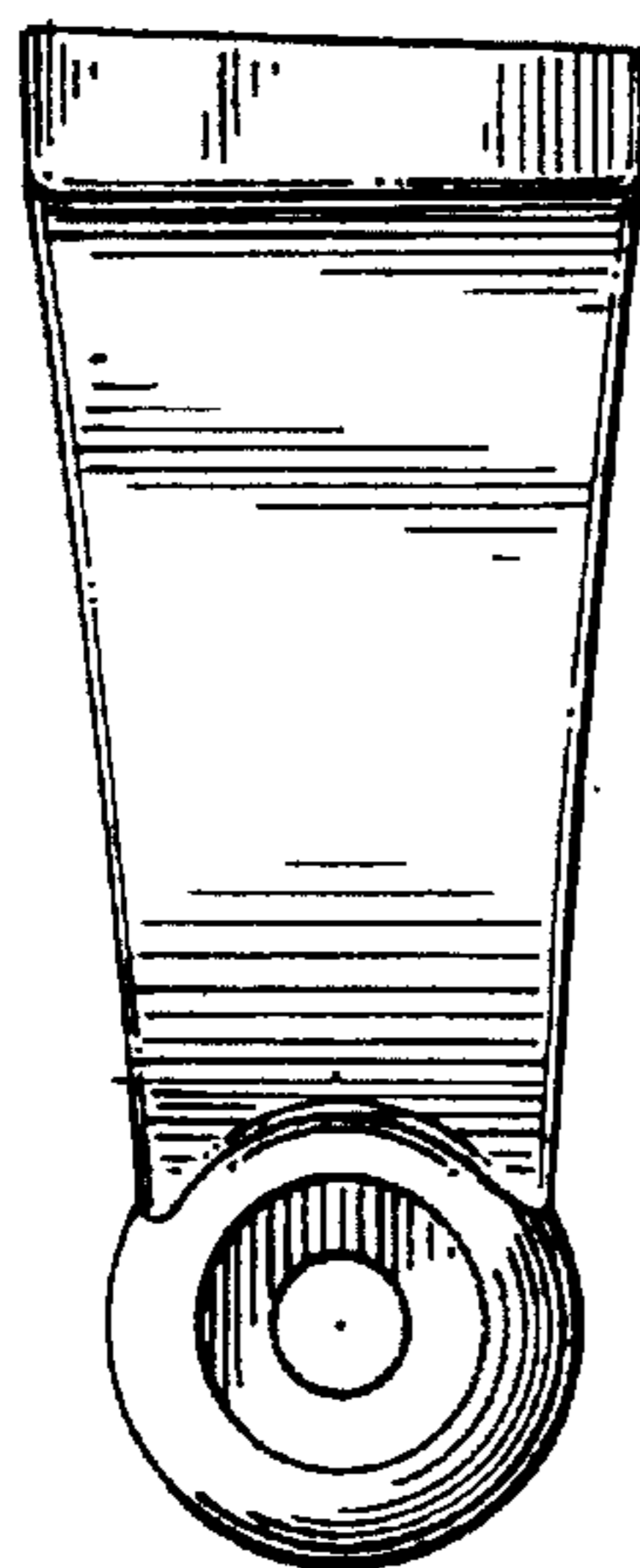


FIG. 6

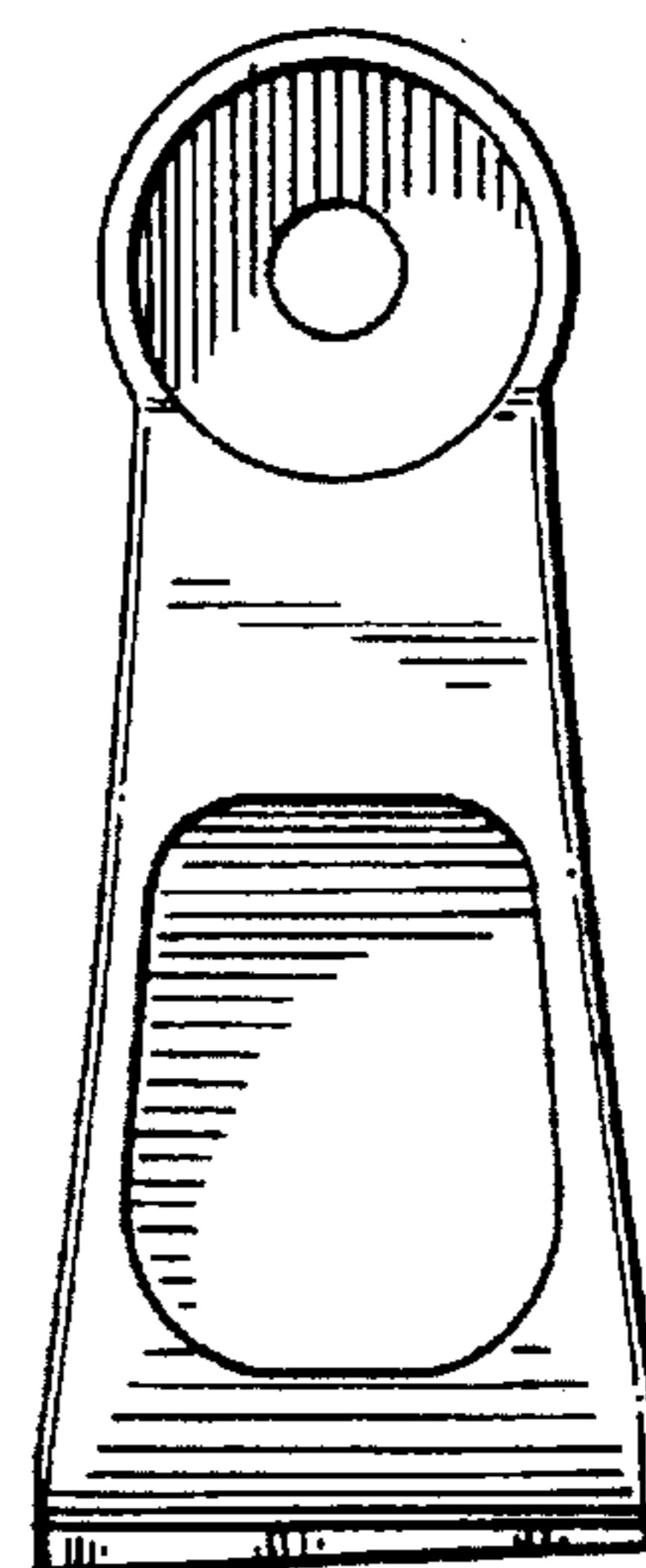


FIG. 7