



US00D383429S

# United States Patent [19]

Muzzarelli et al.

[11] Patent Number: **Des. 383,429**

[45] Date of Patent: **\*\*Sep. 9, 1997**

[54] **FRONT FACE OF A VEHICLE WHEEL**

[75] Inventors: **Marco Muzzarelli**, Milan; **Giuseppe Amati**, Varese, both of Italy

[73] Assignee: **Claus Ettensberger Corporation**, Gardena, Calif.

[\*\*] Term: **14 Years**

[21] Appl. No.: **54,944**

[22] Filed: **May 24, 1996**

[51] LOC (6) Cl. .... **12-16**

[52] U.S. Cl. .... **D12/211**

[58] Field of Search ..... **D12/204-211;**  
**301/64.1, 65, 37.1**

[56] **References Cited**

**U.S. PATENT DOCUMENTS**

- D. 214,620 7/1969 Barris ..... D12/209
- D. 231,349 4/1974 Gaffney ..... D12/209

- D. 255,233 6/1980 Watanabe ..... D12/209 X
- D. 302,264 7/1989 Soederberg ..... D12/209
- D. 361,976 9/1995 Echazabal et al. .... D12/211
- D. 368,884 4/1996 Cole ..... D12/209

*Primary Examiner*—James Gandy  
*Assistant Examiner*—Stacia Sinuik  
*Attorney, Agent, or Firm*—Longacre & White

[57] **CLAIM**

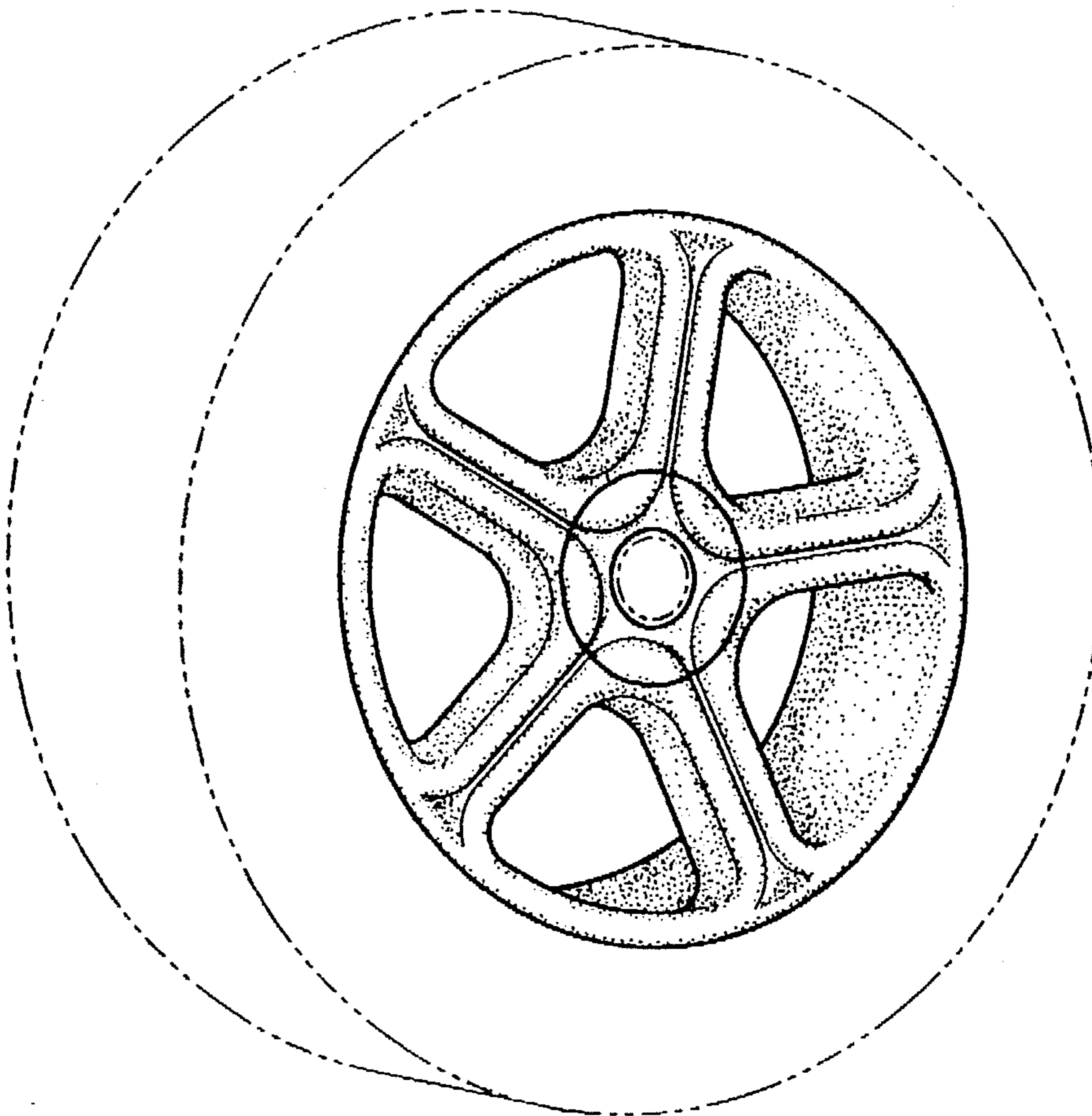
The ornamental design for the front face of a vehicle wheel, as shown and described.

**DESCRIPTION**

FIG. 1 is a perspective view of the front face of a vehicle wheel according to the present invention; and, FIG. 2 is a front elevational view of the front face of a vehicle wheel as shown in FIG. 1.

The broken line showing of the tire and within the central hub area of the wheel is for illustrative purposes only and forms no part of the claimed design.

**1 Claim, 1 Drawing Sheet**



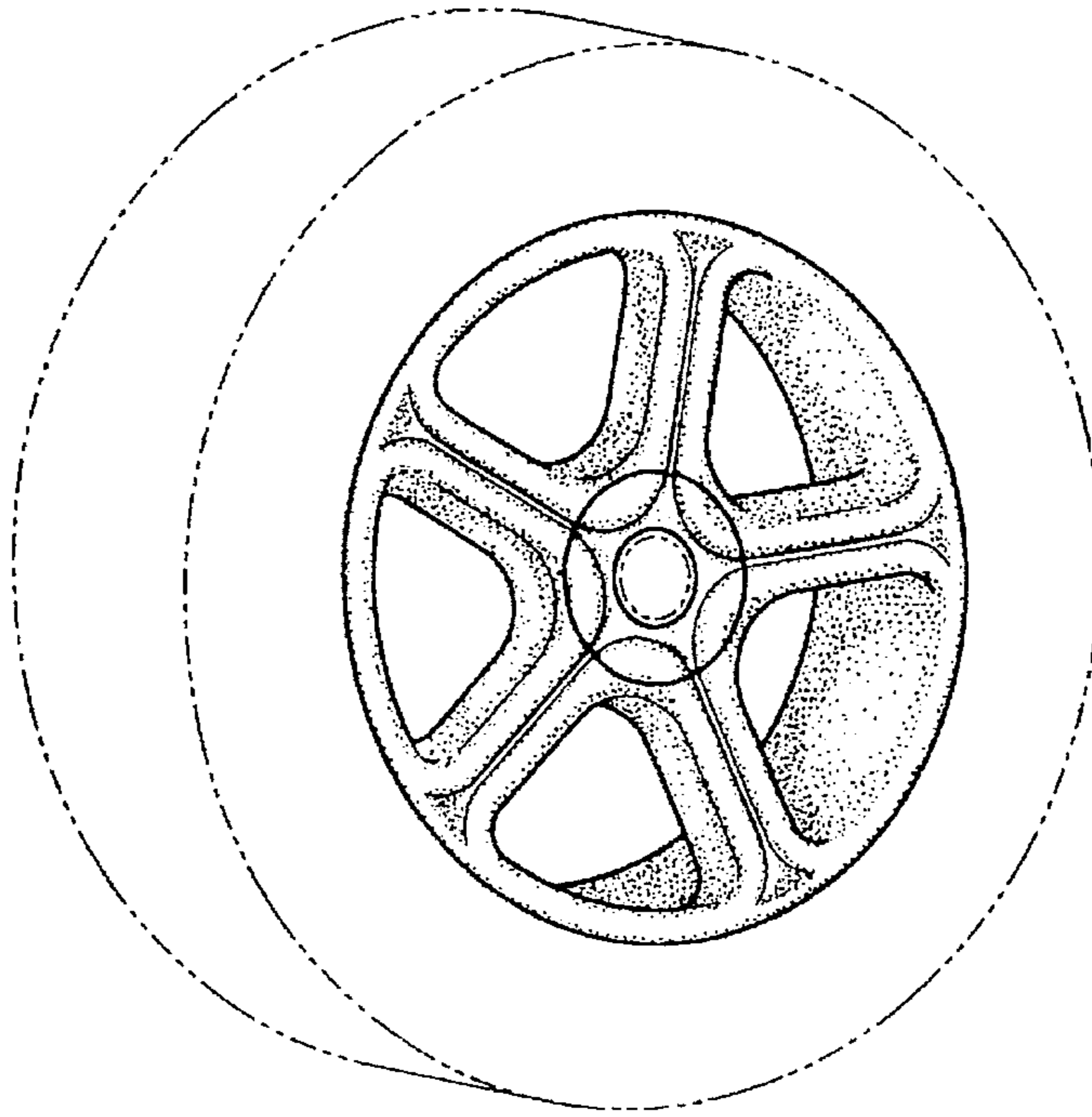


FIG. 1

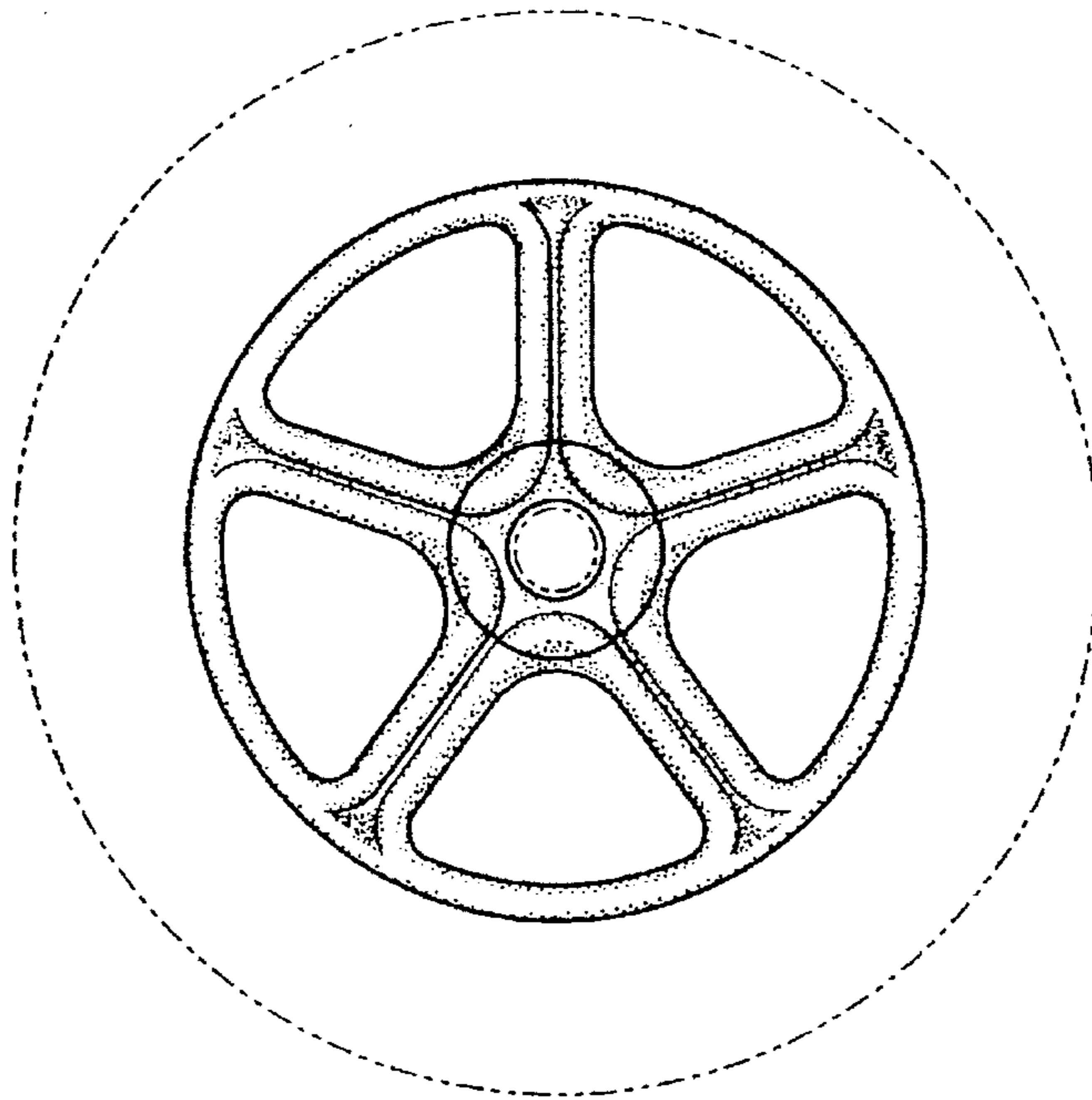


FIG. 2