



US00D383426S

United States Patent [19] Guidry

[11] Patent Number: **Des. 383,426**
[45] Date of Patent: ****Sep. 9, 1997**

[54] **TIRE**
[76] Inventor: **Warren L. Guidry**, P.O. Box 486,
Rayne, La. 70578-0486
[**] Term: **14 Years**
[21] Appl. No.: **39,960**
[22] Filed: **Jun. 7, 1995**
[51] LOC (6) Cl. **12-15**
[52] U.S. Cl. **D12/151**
[58] Field of Search D12/134, 136-137,
D12/146-151; 152/209 R, 209 A, 209 B,
209 D

5,056,573 10/1991 O'Brien et al. .
5,375,640 12/1994 Harms 152/209 R

OTHER PUBLICATIONS

Dirt Wheels, Aug. 1992, 2 unnumbered pages, Dick Cepek's
"Mud Machine"adv., and New Tire and Wheel Combo
Selections.
Dick Cepek 1987 Off-Road Catalog, pp. 41-44.

Primary Examiner—James Gandy
Assistant Examiner—Stacia Sinuik
Attorney, Agent, or Firm—Kerkam, Stowell, Kondracki &
Clarke, P.C.; Edward J. Kondracki

[57] CLAIM

The ornamental design for a tire, as shown and described.

DESCRIPTION

FIG. 1 is a perspective view of my new tire, it being understood that the tread pattern is repeated throughout the circumference of the tire, the opposite side being the same as that shown;

FIG. 2 is a side elevational view of my new tire, it being understood that the other side is a reverse image thereof; and,

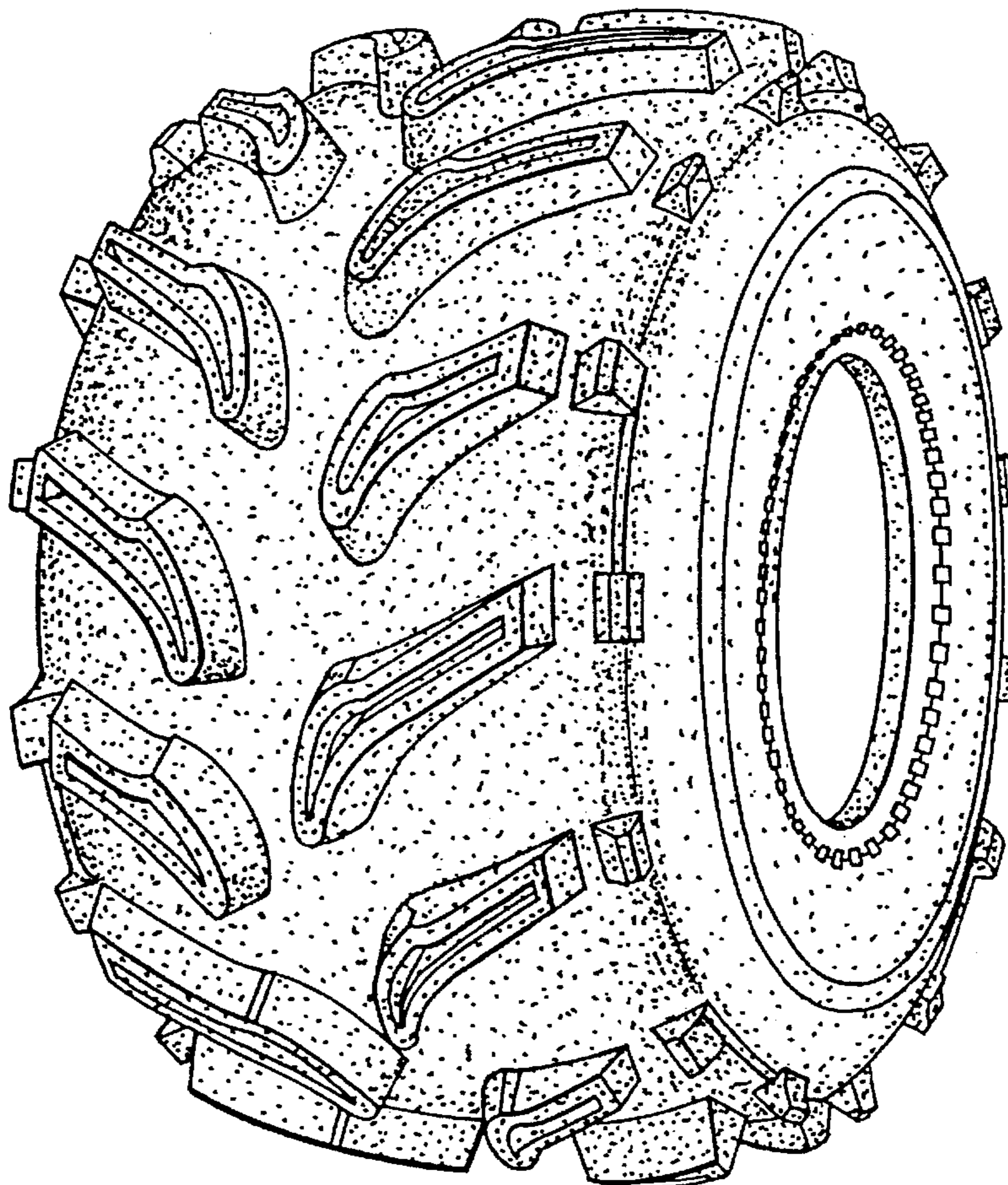
FIG. 3 is a front elevational view of my new tire, it being understood that the other side is a reverse image thereof.

1 Claim, 2 Drawing Sheets

[56] References Cited

U.S. PATENT DOCUMENTS

D. 219,799	1/1971	Sons, Jr.	D12/146
D. 261,257	10/1981	Guidry .	
D. 293,093	12/1987	Nishio et al.	D12/147
D. 308,038	5/1990	Guidry .	
D. 317,187	5/1991	Suzuki X	D12/147
D. 323,135	1/1992	Thomas .	
D. 342,228	12/1993	Harms .	
D. 345,950	4/1994	Guidry .	
4,534,392	8/1985	Bonko et al.	152/209 R
4,723,585	2/1988	Mechtel .	



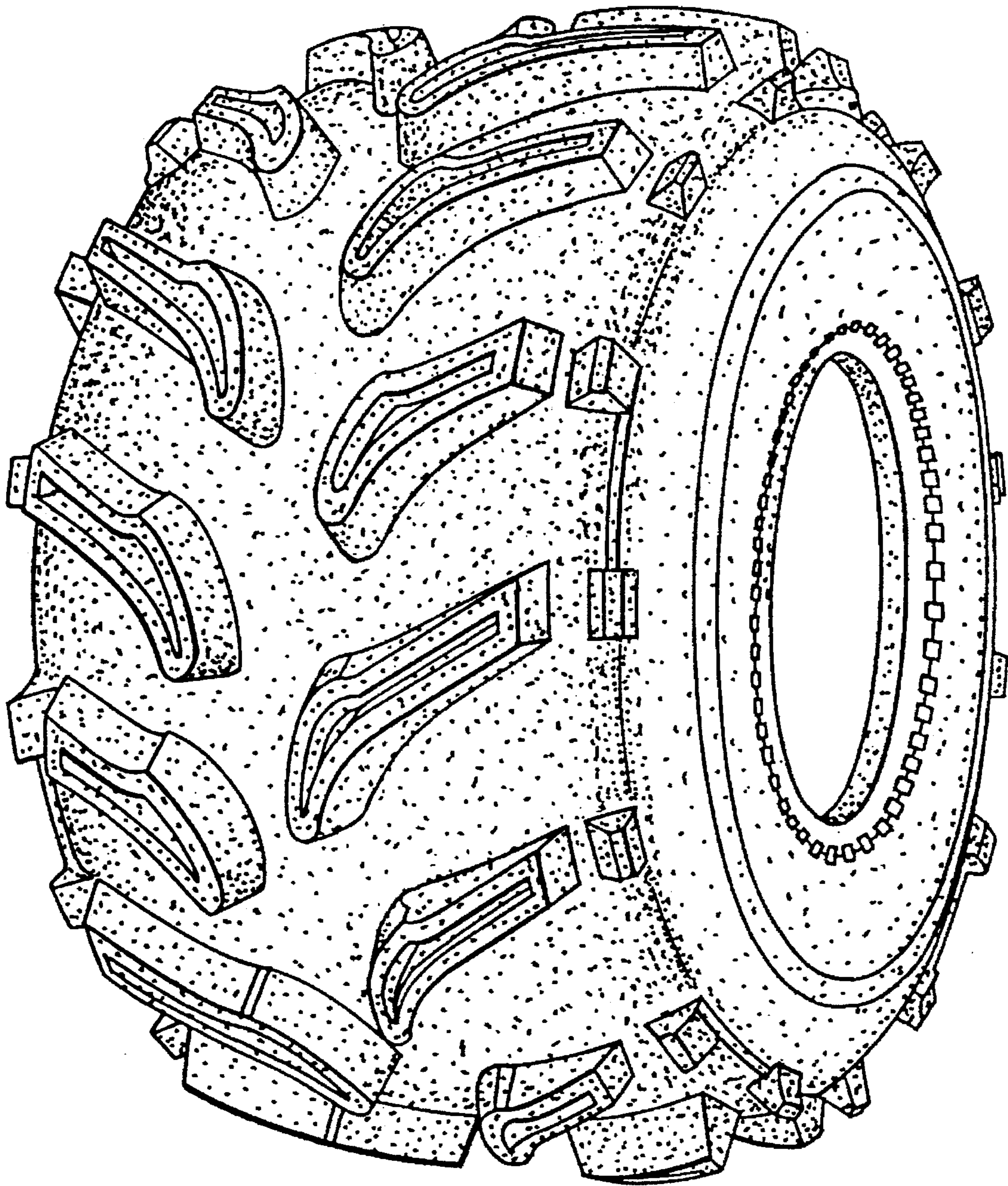


FIG. 1

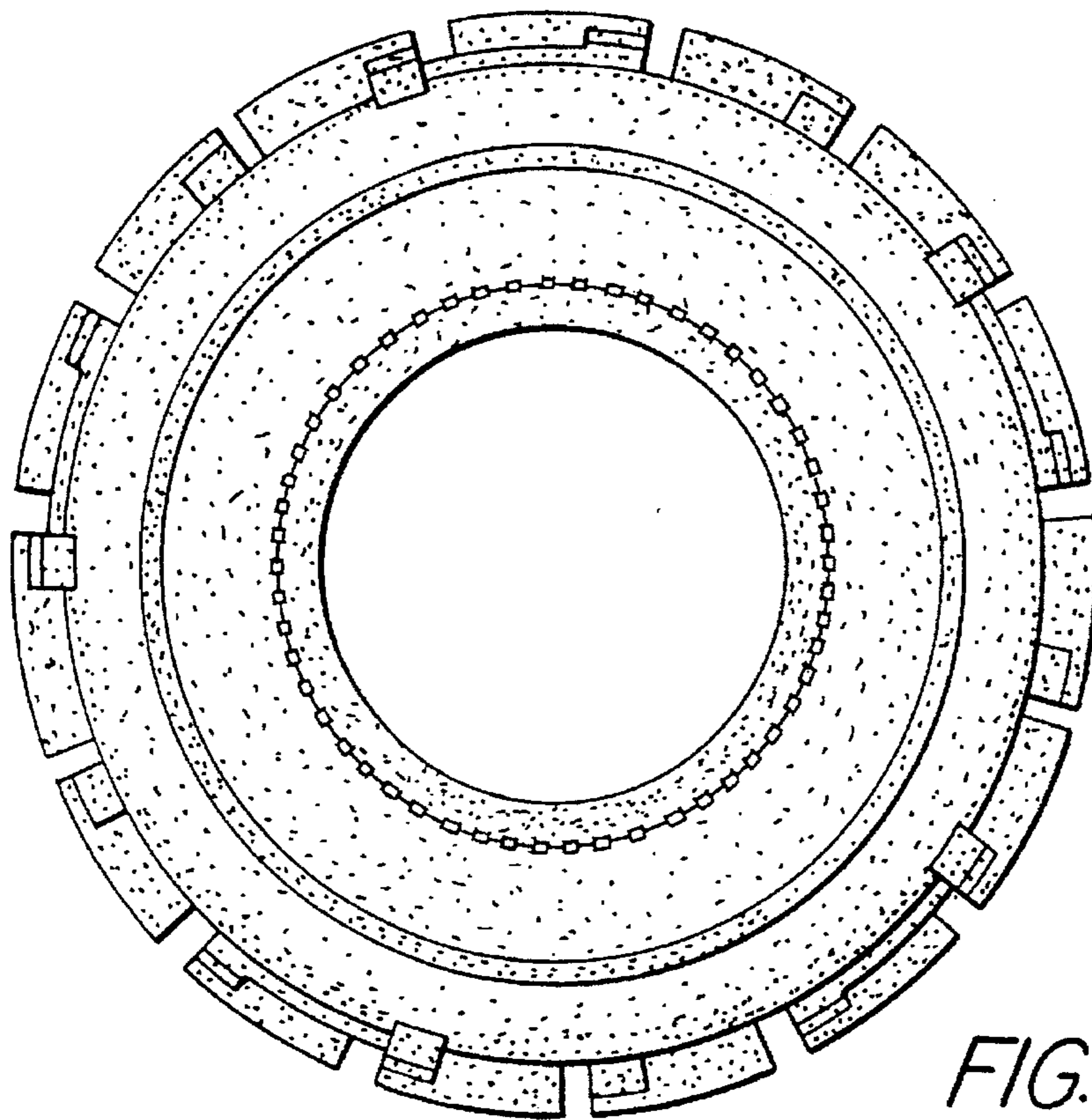


FIG. 2

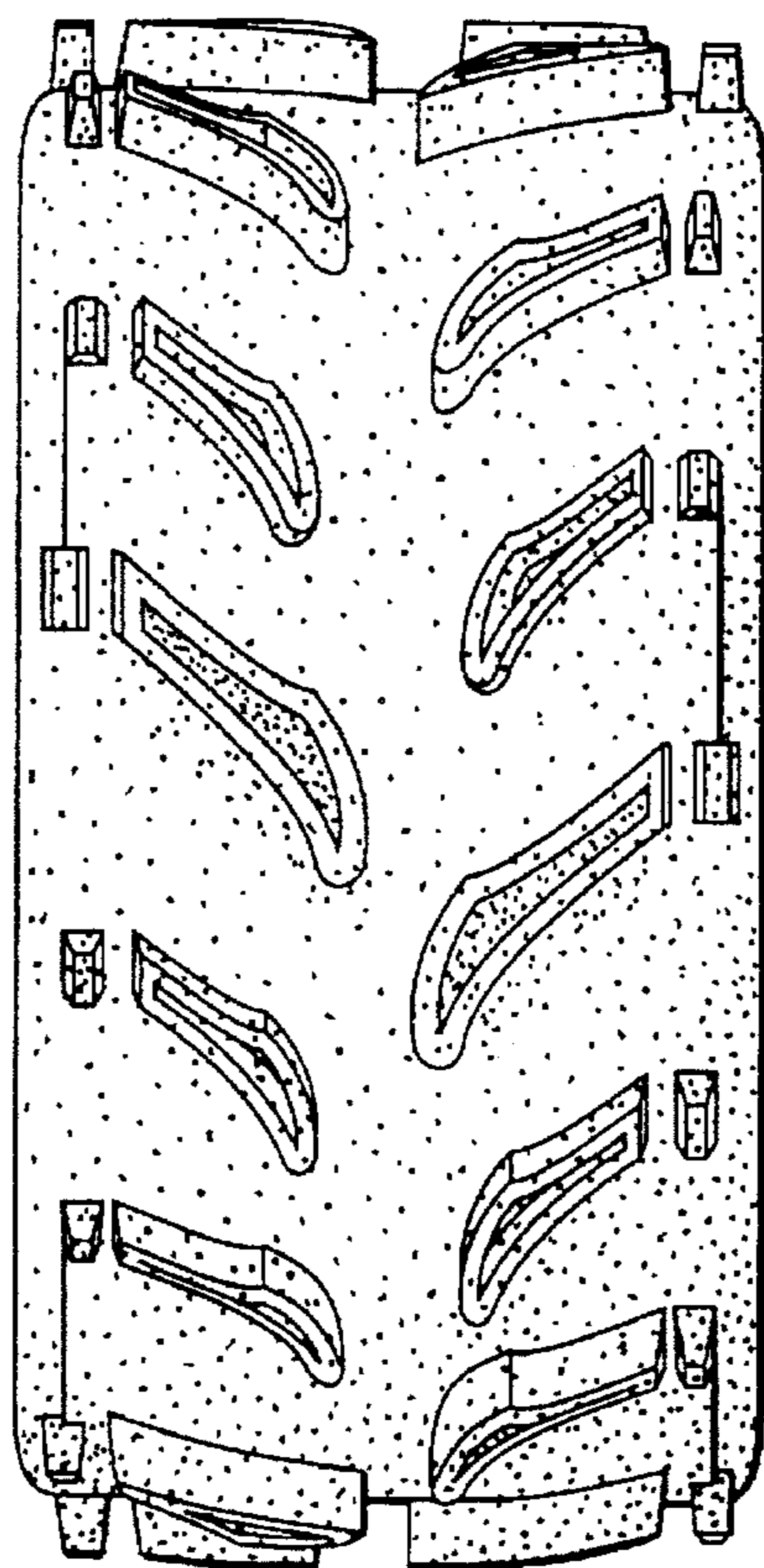


FIG. 3