



US00D383421S

United States Patent [19]
Stotsky

[11] **Patent Number:** **Des. 383,421**
[45] **Date of Patent:** ****Sep. 9, 1997**

[54] **CIRCULAR TUBE, SEAT TUBE AND ONE-PIECE SEAT STAY COMBINATION**

5,452,911 9/1995 Klein et al. 280/288
5,476,276 12/1995 Levin et al. 280/288

[75] **Inventor:** **Michael Stotsky, Chicago, Ill.**

Primary Examiner—Melody N. Brown
Attorney, Agent, or Firm—Emrich & Dithmar

[73] **Assignee:** **Santa's Best, Northfield, Ill.**

[57] **CLAIM**

[**] **Term:** **14 Years**

The ornamental design for a circular tube, seat tube and one-piece seat stay combination, as shown and described.

[21] **Appl. No.:** **50,288**

DESCRIPTION

[22] **Filed:** **Feb. 13, 1996**

FIG. 1 is a right side elevational view of a circular tube, seat tube and one-piece seat stay combination showing my new design, it being understood that the broken lines are for illustrative purposes only and form no part of the claimed design;

[51] **LOC (6) Cl.** **12-11**

[52] **U.S. Cl.** **D12/117; D12/111**

[58] **Field of Search** **D12/117, 111; D8/370; 280/281.1, 188.1-188.3, 288; 24/26, 27, 29; 248/300, 316**

FIG. 2 is a perspective view thereof;

FIG. 3 is a right side elevational view thereof;

FIG. 4 is a top plan view thereof;

FIG. 5 is a bottom plan view thereof;

FIG. 6 is a front elevational view thereof; and,

FIG. 7 is a rear elevational view thereof.

[56] **References Cited**

U.S. PATENT DOCUMENTS

D. 343,811 2/1994 Weidberg D12/119
D. 370,647 6/1996 Levin et al. D12/117

1 Claim, 2 Drawing Sheets

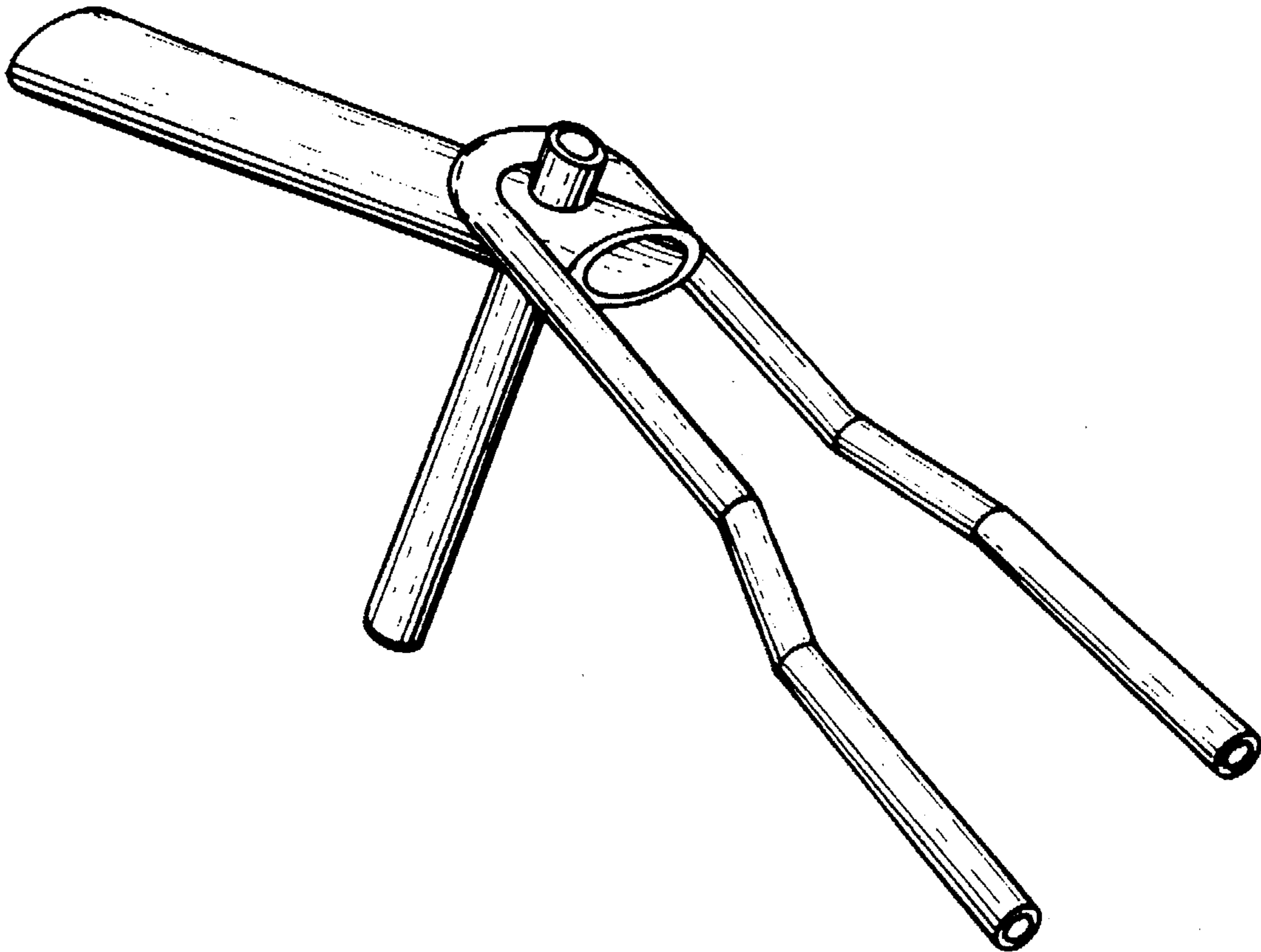


FIG. 1

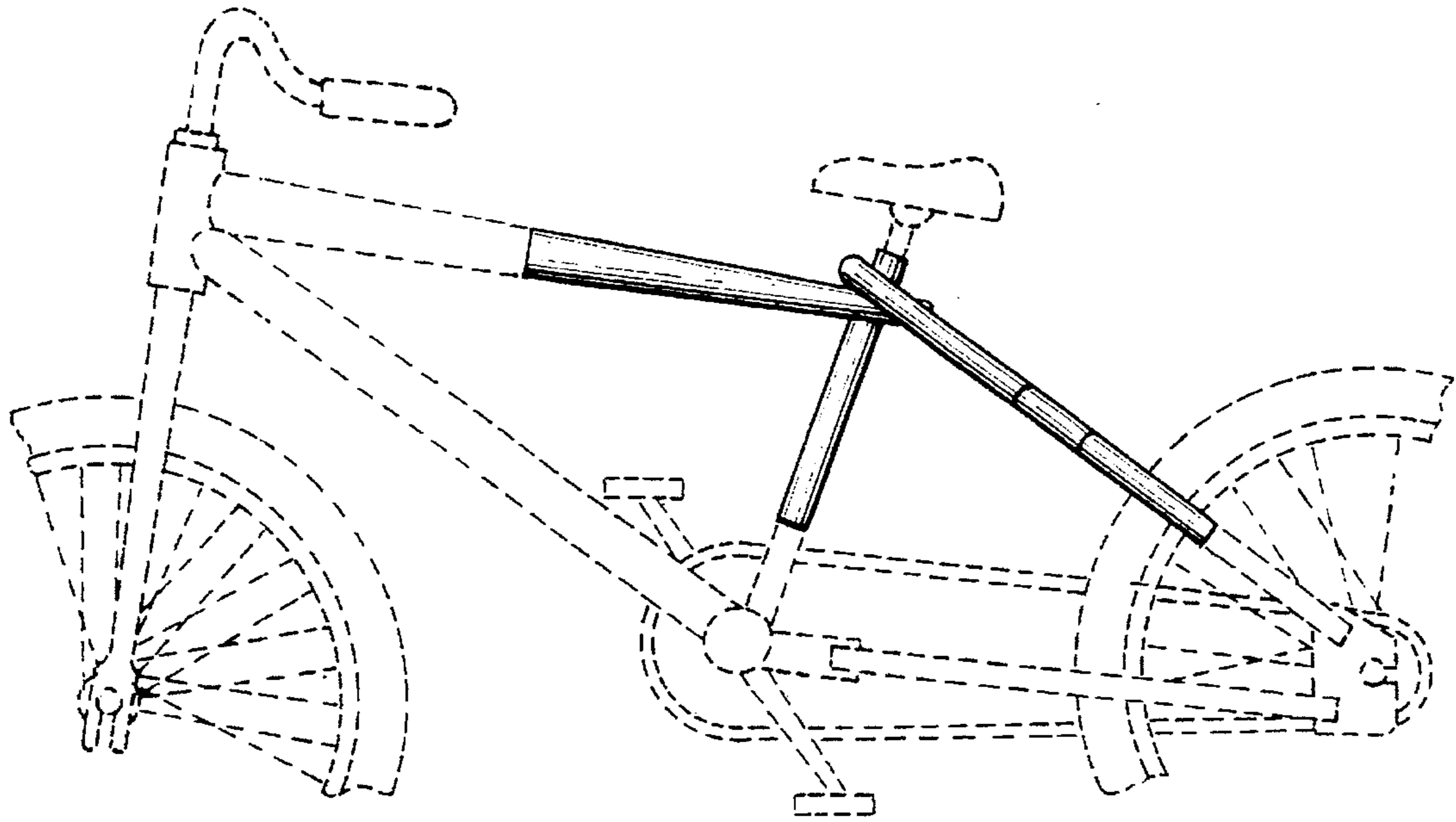


FIG. 2

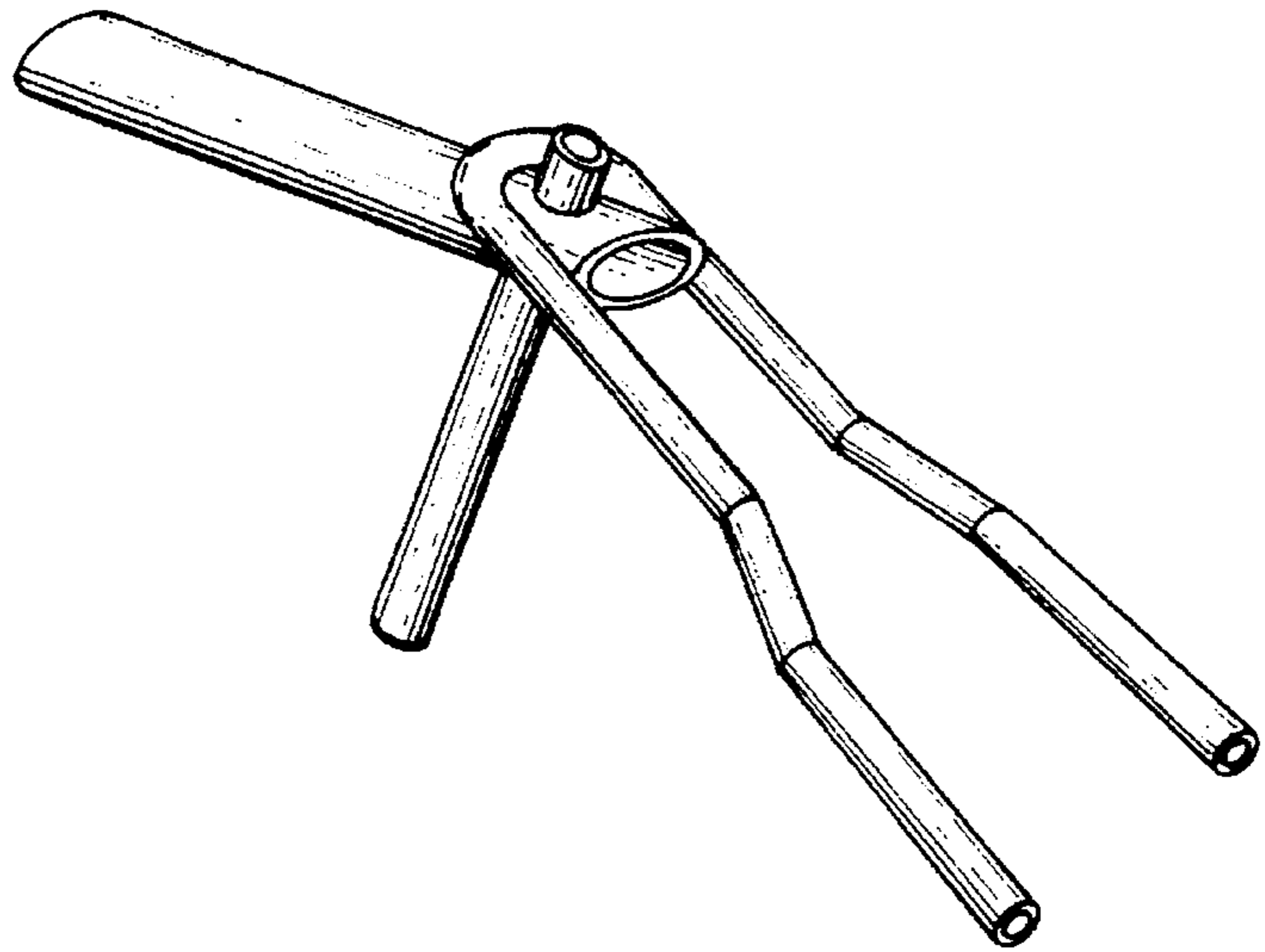


FIG. 3

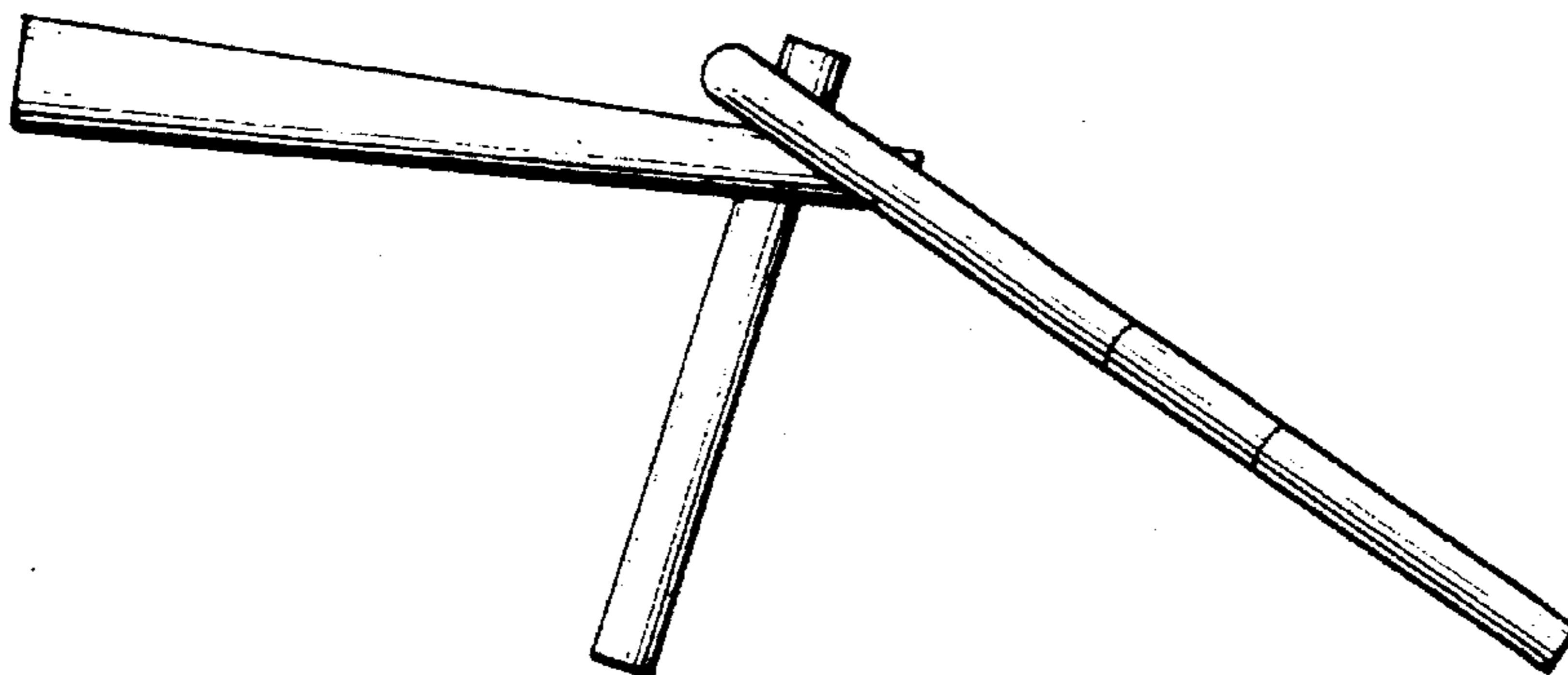


FIG. 4

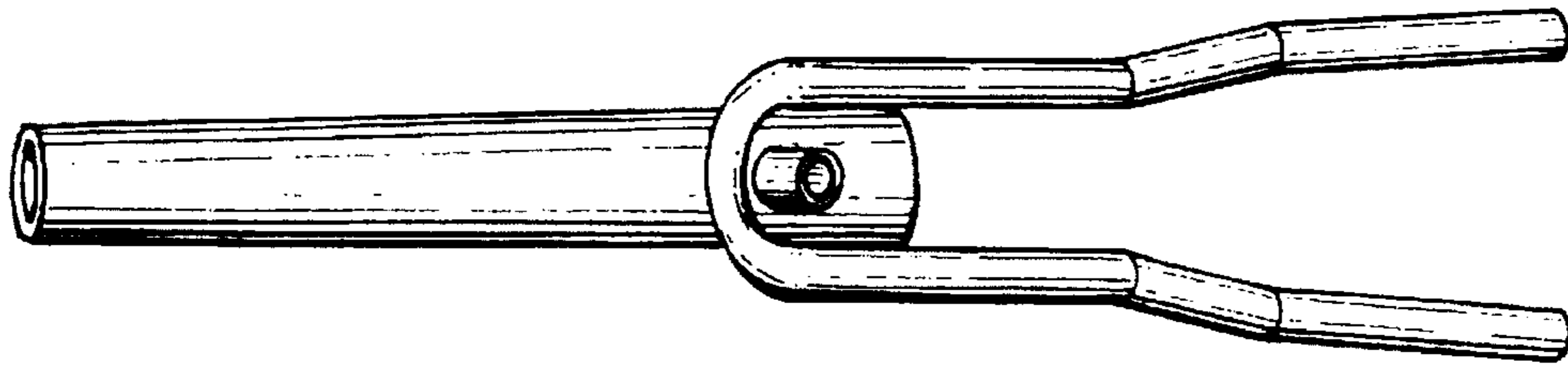


FIG. 5

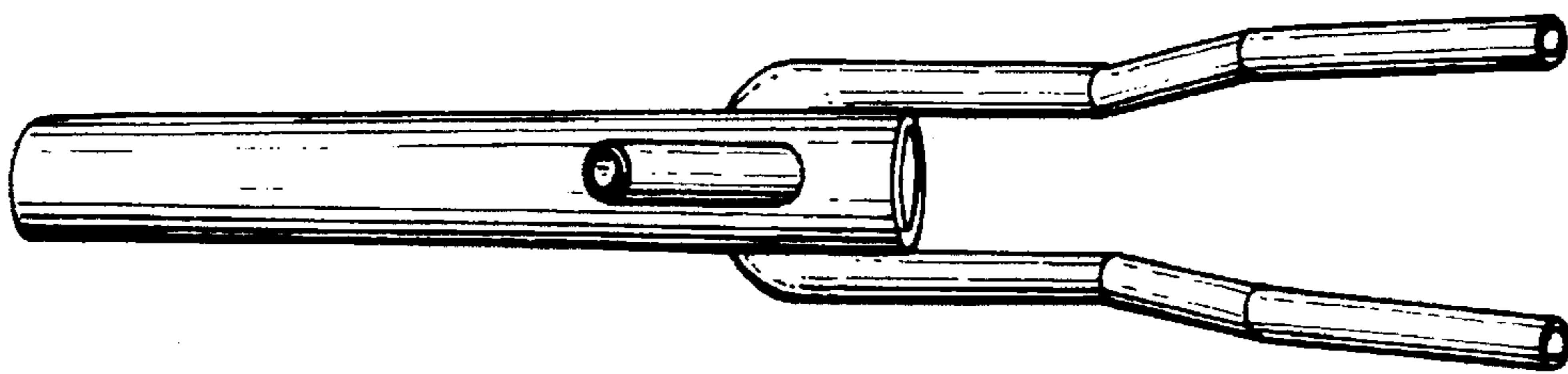


FIG. 6

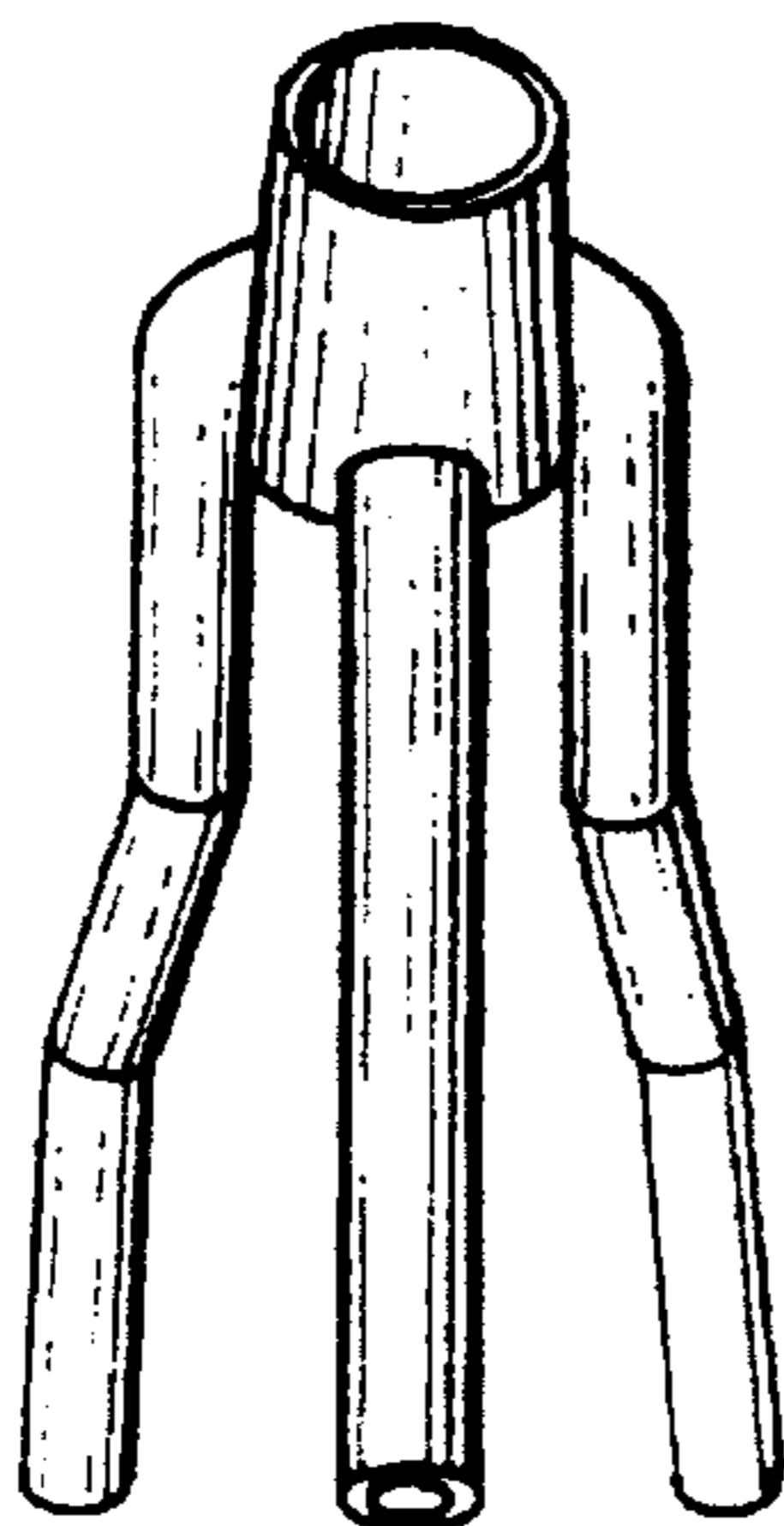
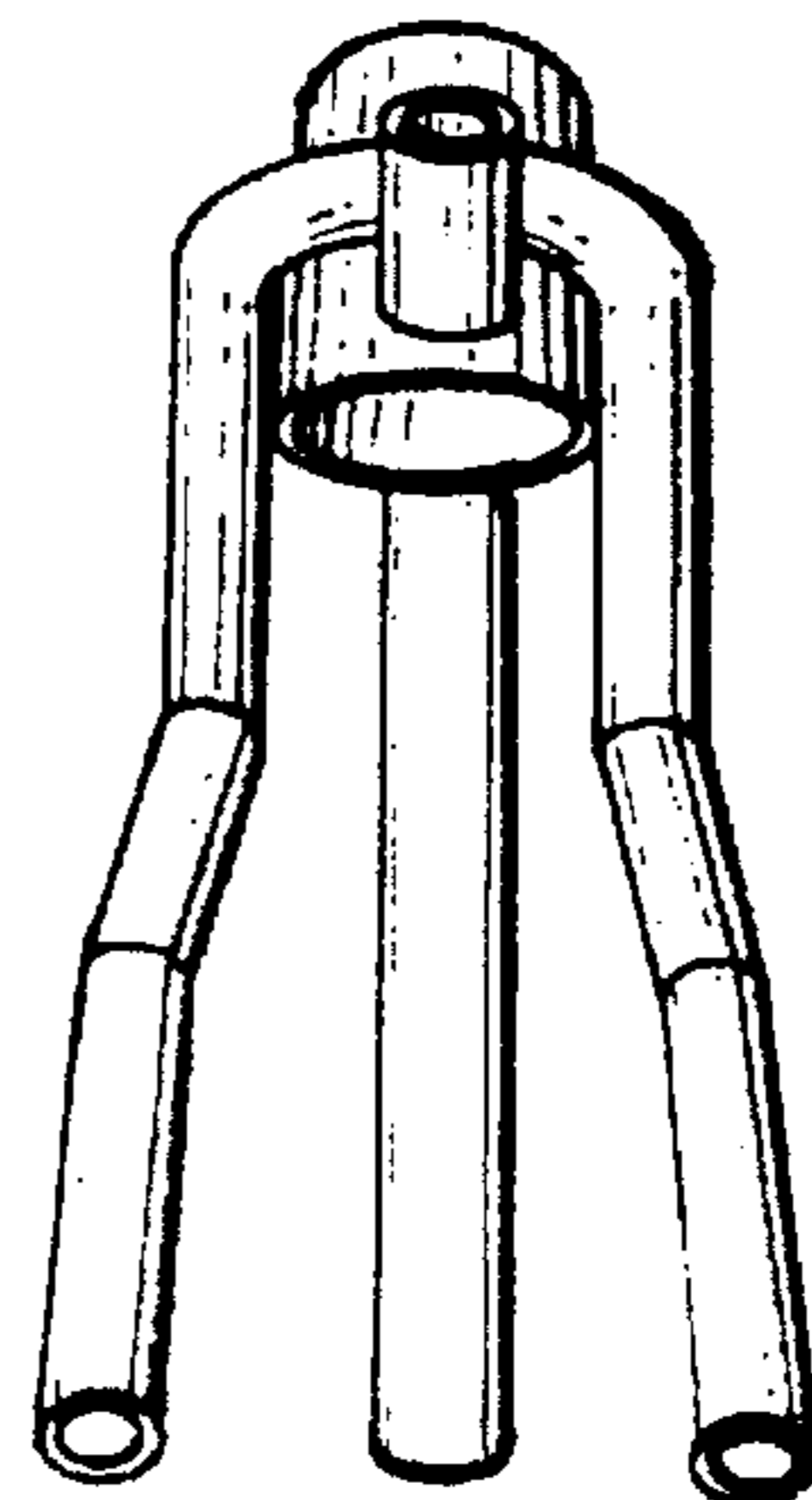


FIG. 7



UNITED STATES PATENT AND TRADEMARK OFFICE
CERTIFICATE OF CORRECTION

PATENT : Des. 383,421

DATED : September 9, 1997

INVENTOR(S) : Michael Stotsky

It is certified that error appears in the above-identified patent and that said Letters Patent is hereby corrected as shown below:

On the title page, please delete “[73] Assignee: Santa’s Best, Northfield, Ill.”

Signed and Sealed this
Second Day of June, 1998

Attest:



BRUCE LEHMAN

Attesting Officer

Commissioner of Patents and Trademarks