



US00D383417S

# United States Patent [19] Davis

[11] Patent Number: **Des. 383,417**  
[45] Date of Patent: **\*\*Sep. 9, 1997**

[54] **PATIO TABLE PLANTER WITH SEPARABLE HALVES**

[76] Inventor: **Maurice D. Davis**, 23320 Lake Ravines Dr., Southfield, Mich. 48034

[\*\*] Term: **14 Years**

[21] Appl. No.: **56,083**

[22] Filed: **Jun. 5, 1996**

[51] LOC (6) Cl. .... **11-02**

[52] U.S. Cl. .... **D11/152; D11/143**

[58] Field of Search ..... D11/143, 144,  
D11/152, 153, 155, 164; D6/403, 556;  
47/66, 71, 72, 39, 41.01, 41.14; 206/423;  
220/23.4, 4.21, 23.83, 413, 575; 248/27.8,  
539

[56] **References Cited**

**U.S. PATENT DOCUMENTS**

D. 278,521 4/1985 Baird et al. .... D11/153

585,486	6/1897	Snow	.....	47/41.01
1,499,473	7/1924	Price	.....	47/66
2,813,619	11/1957	Gerowin	.....	206/423
3,747,268	7/1973	Linder	.....	47/66
4,216,622	8/1980	Hollenbach et al.	.....	47/71
4,597,221	7/1986	Adair et al.	.....	47/66
4,708,256	11/1987	Intardonato	.....	220/23.4

Primary Examiner—Caron D. Veynar

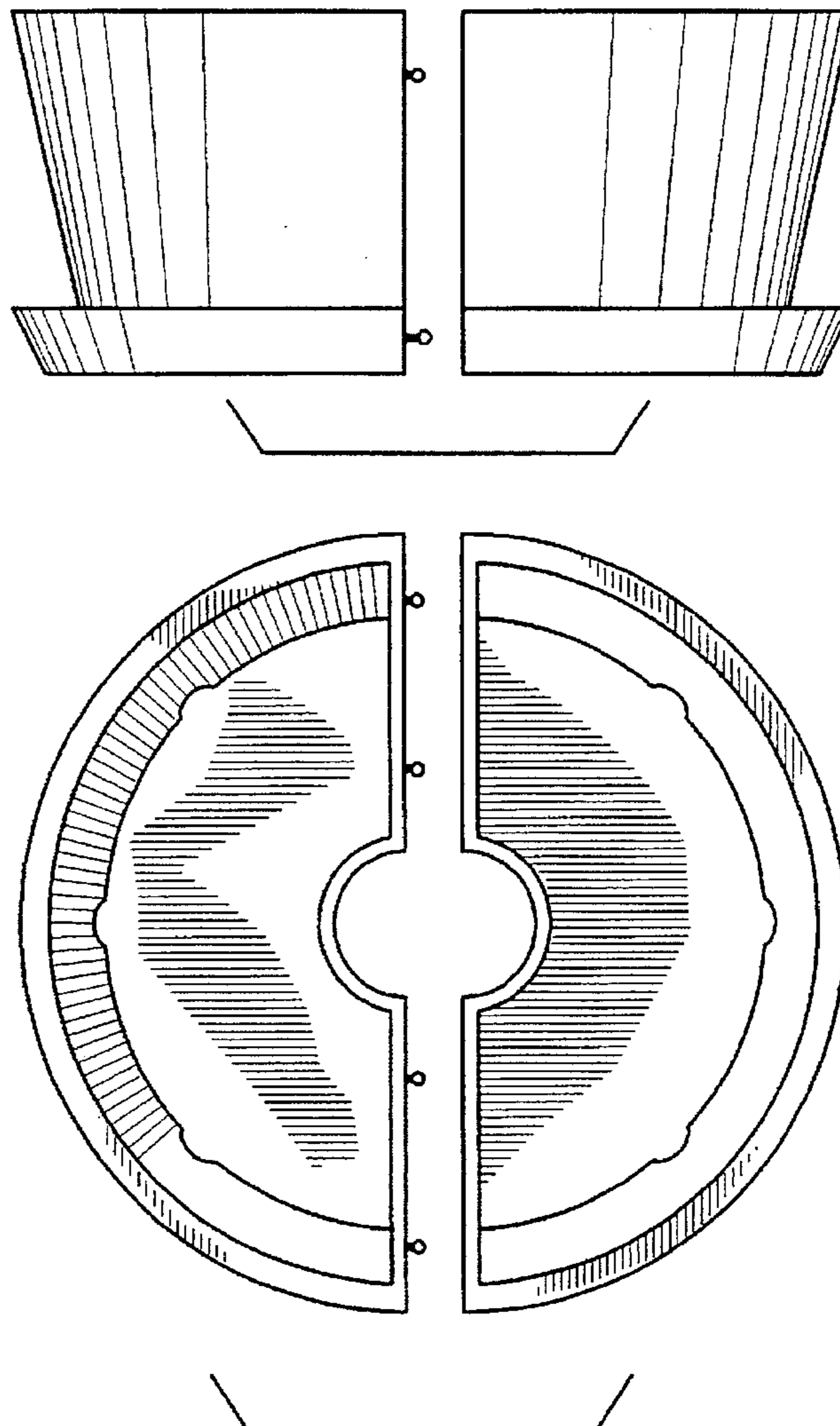
[57] **CLAIM**

The ornamental design for a patio table planter with separable halves, as shown and described.

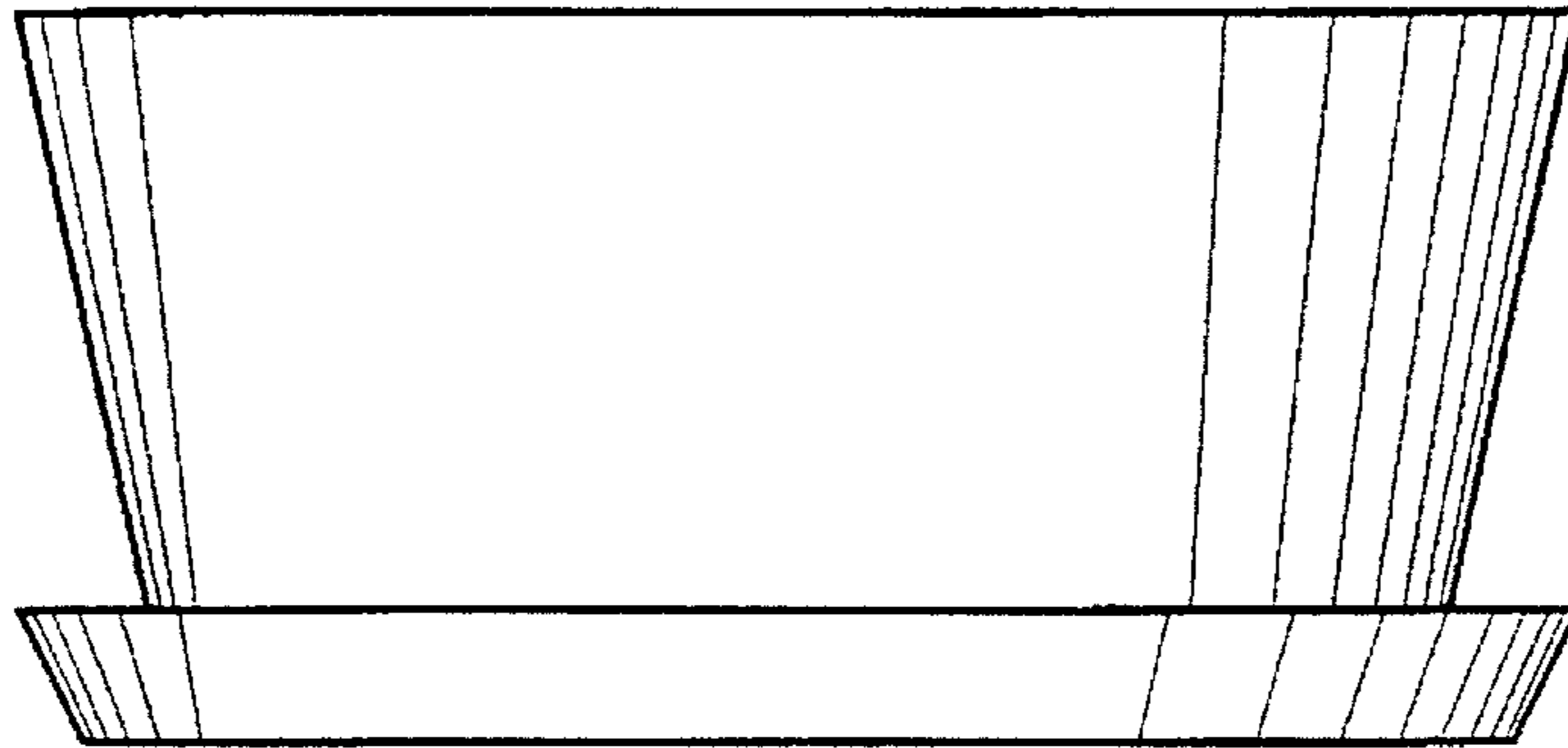
**DESCRIPTION**

FIG. 1 is a front elevational view of the patio table planter with separable halves showing my new design;  
FIG. 2 is a rear elevational view thereof;  
FIG. 3 is an exploded right view thereof;  
FIG. 4 is an exploded left view thereof;  
FIG. 5 is an exploded top plan view thereof; and,  
FIG. 6 is an exploded bottom plan view thereof.

**1 Claim, 3 Drawing Sheets**



*FIG. 1*



*FIG. 2*

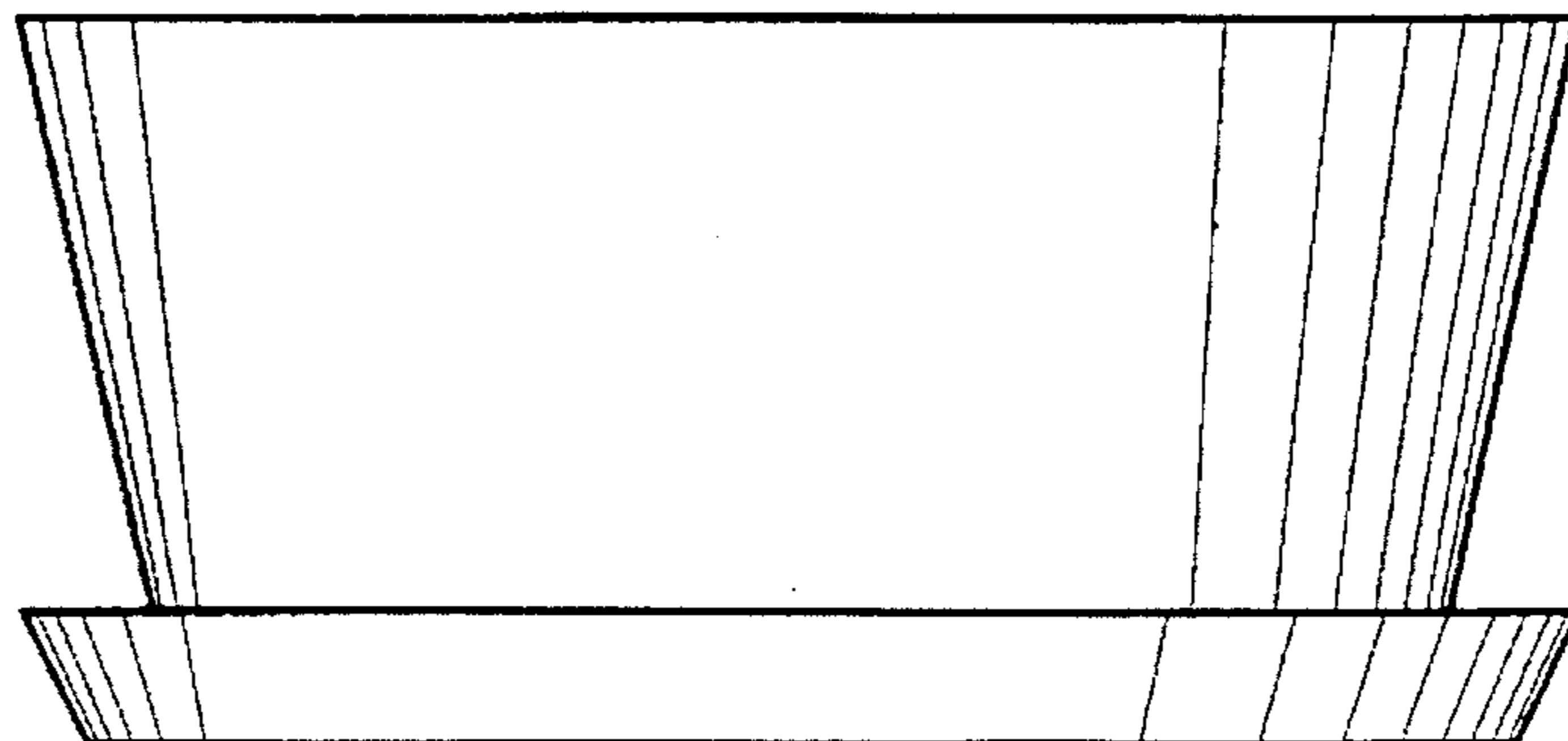


FIG. 3

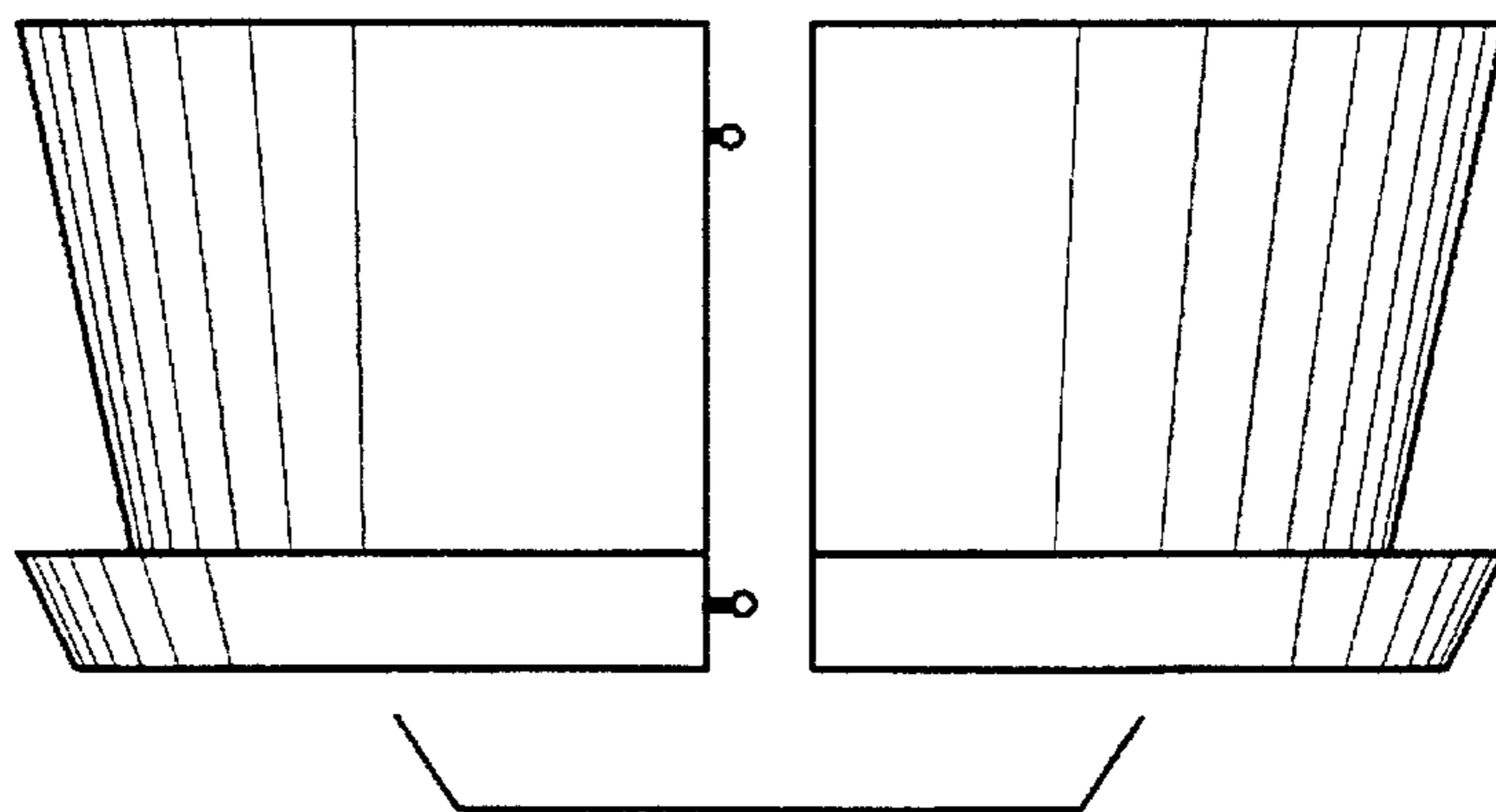


FIG. 4

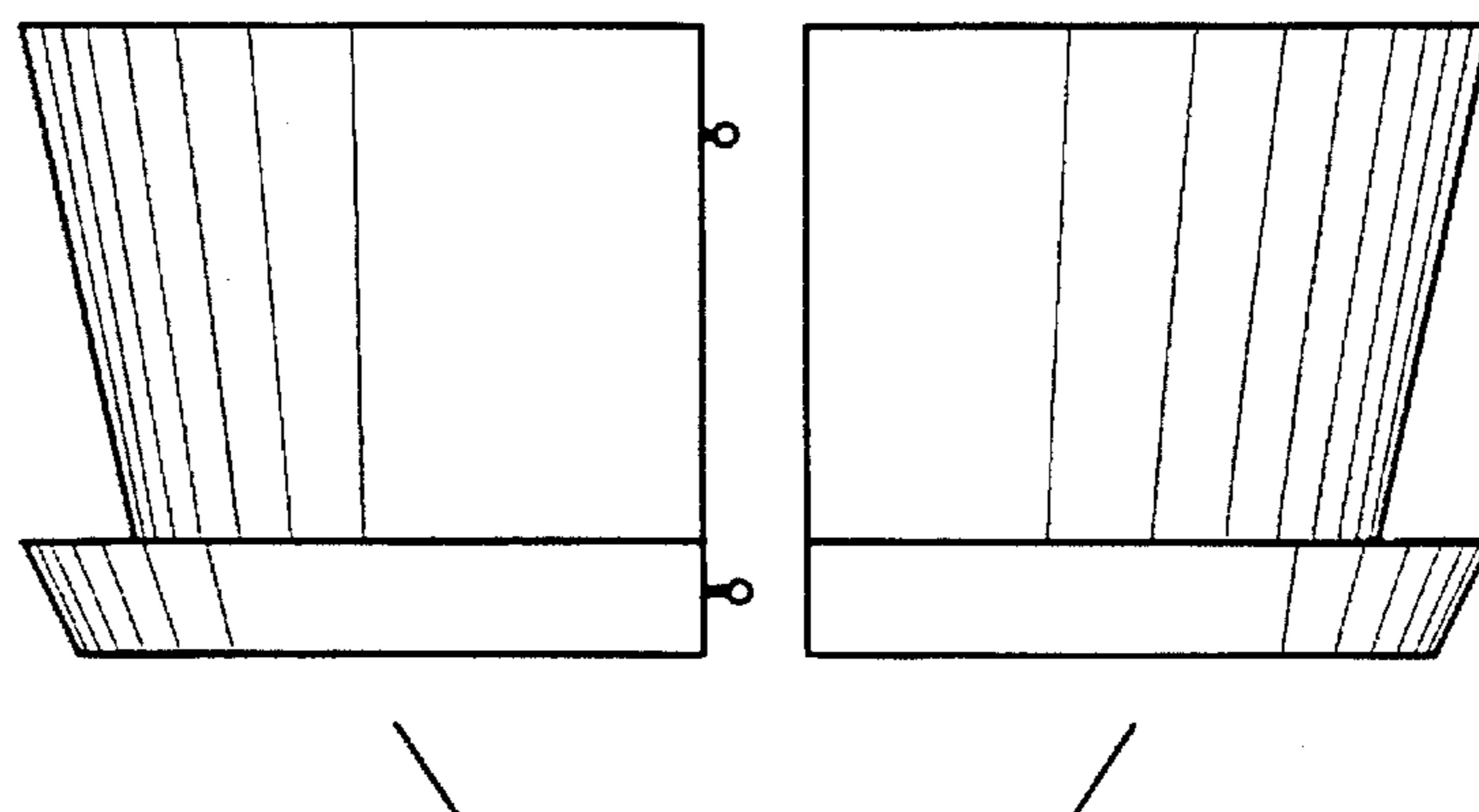


FIG. 5

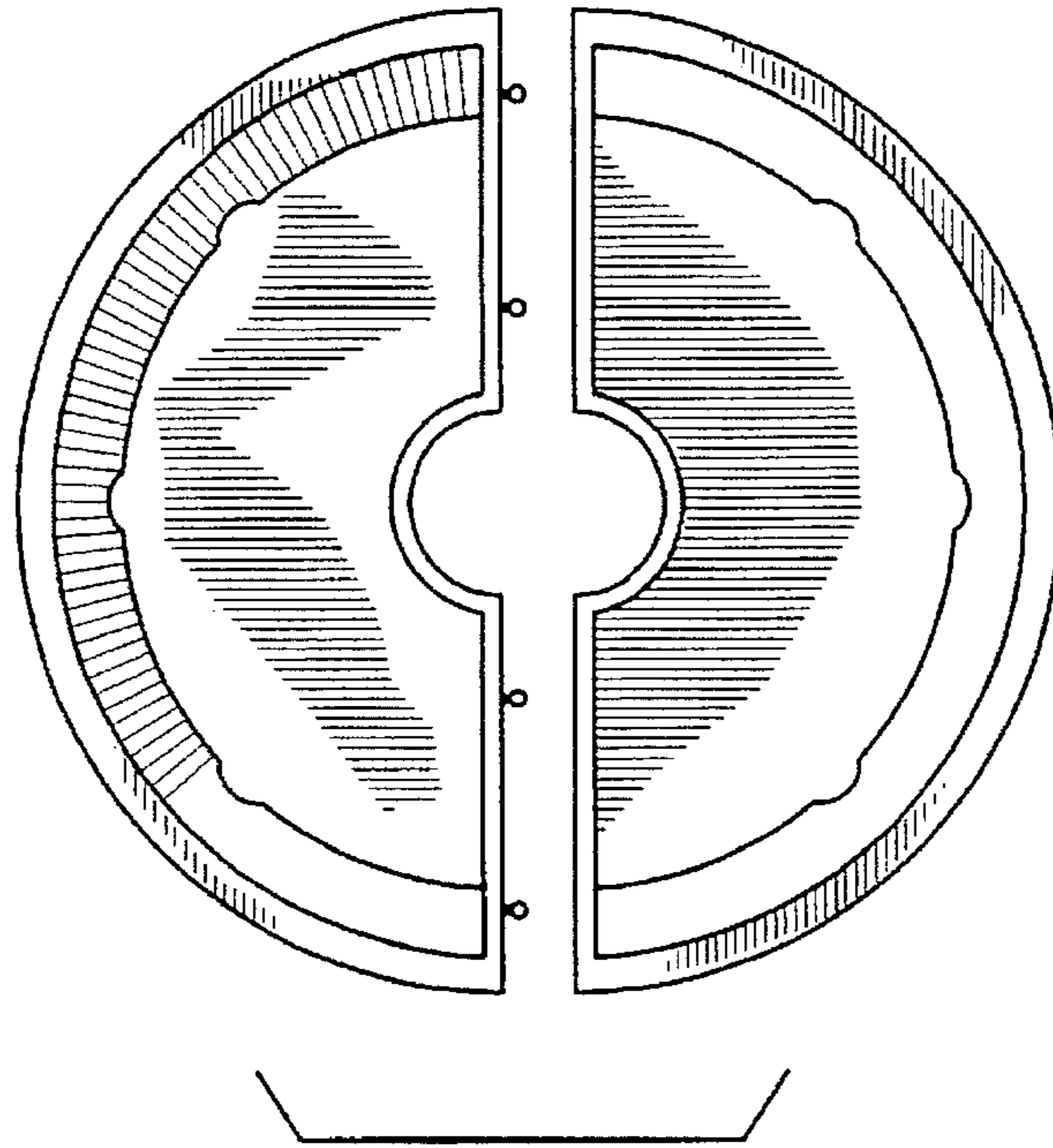


FIG. 6

