



US00D383416S

# United States Patent [19]

Lal et al.

[11] Patent Number: **Des. 383,416**

[45] Date of Patent: **\*\*Sep. 9, 1997**

[54] **ORNAMENTAL REINDEER**

[76] Inventors: **Sudhir K. Lal**, 629 S. York Rd., Apt. #10, Bensenville, Ill. 60106; **Kulwant S. Hundal**, 362 N. Kramer, Lombard, Ill. 60148

[\*\*] Term: **14 Years**

[21] Appl. No.: **55,043**

[22] Filed: **May 30, 1996**

[51] LOC (6) Cl. .... **02-04**

[52] U.S. Cl. .... **D11/127; D11/121; D11/158; D21/148; D21/154**

[58] **Field of Search** ..... **D11/121, 125, D11/127, 158; D21/148, 154; 428/15, 16, 542.2, 542.6; 446/387**

[56] **References Cited**

**U.S. PATENT DOCUMENTS**

D. 136,922	12/1943	Rebboly	.....	D21/154
D. 158,259	4/1950	Geiomous	.....	D21/154
D. 163,765	6/1951	Pinterally	.....	D21/148
D. 181,263	10/1957	Abramson	.....	D11/127

D. 223,164	3/1972	Meth et al.	.....	D21/154
D. 229,429	11/1973	Johnson	.....	D11/158
D. 316,059	4/1991	Wieman et al.	.....	D11/158
D. 370,643	6/1996	Kapp	.....	D11/127
4,650,701	3/1987	Jackson	.	
5,451,436	9/1995	Shelleman	.	

*Primary Examiner*—Dominic Simone  
*Attorney, Agent, or Firm*—Charles F. Meroni, Jr.

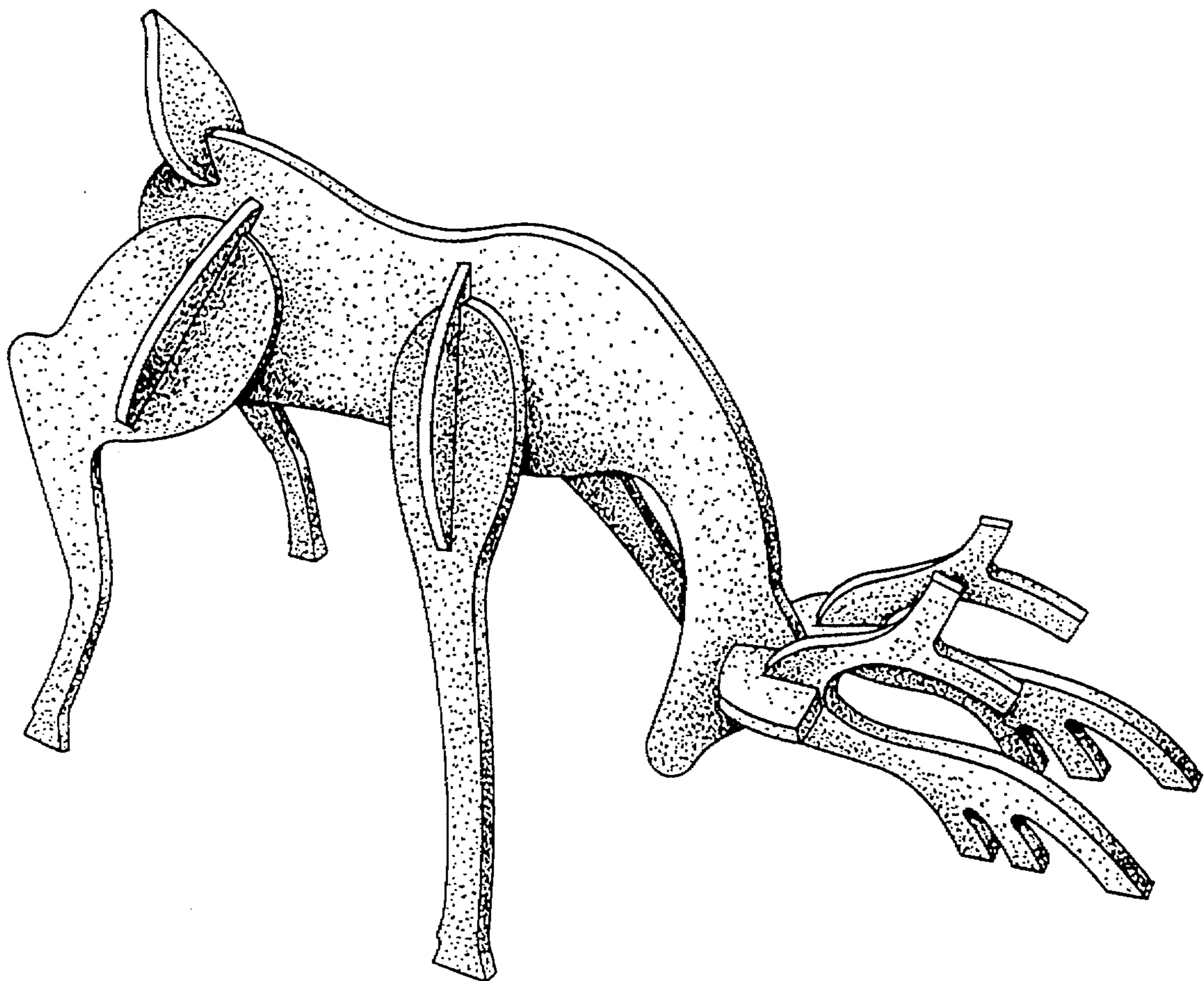
[57] **CLAIM**

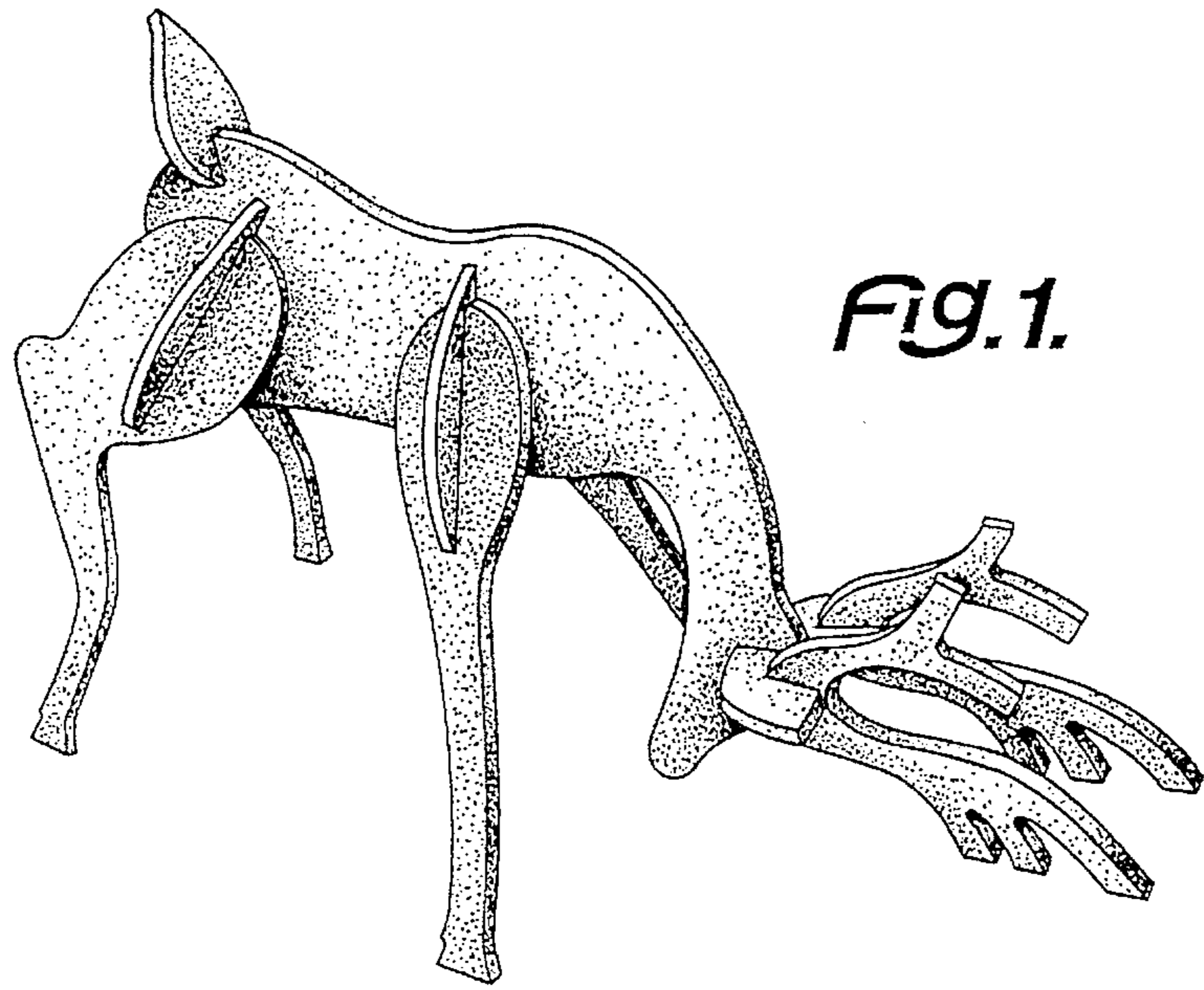
The ornamental design for the ornamental reindeer, as shown and described.

**DESCRIPTION**

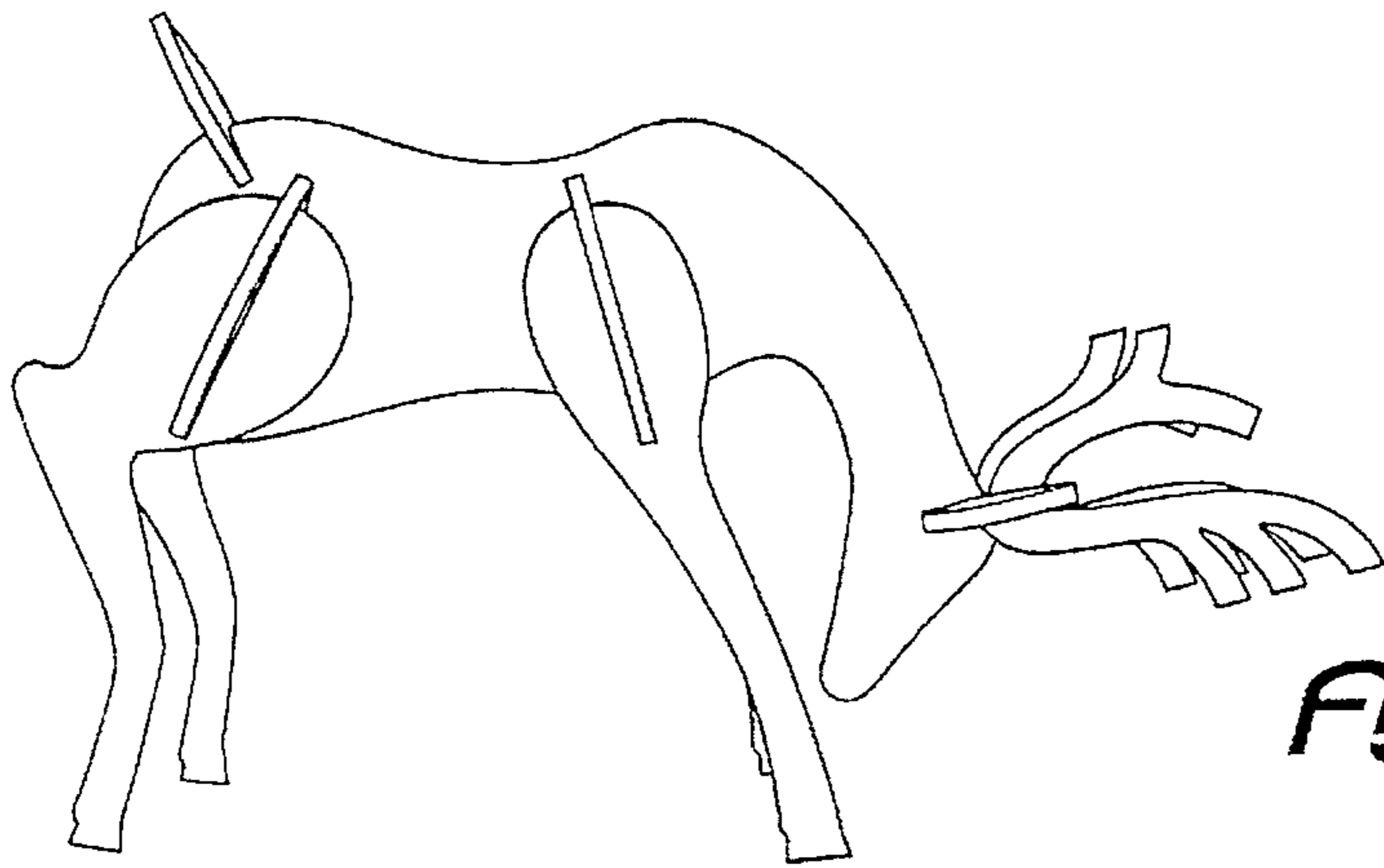
FIG. 1 is a perspective view of an ornamental reindeer showing our new design;  
FIG. 2 is a left side elevational view thereof;  
FIG. 3 is a right side elevational view thereof;  
FIG. 4 is a top plan view thereof;  
FIG. 5 is a bottom plan view thereof;  
FIG. 6 is a front elevational view thereof;  
FIG. 7 is a rear elevational view thereof; and,  
FIG. 8 is an exploded view thereof.

**1 Claim, 2 Drawing Sheets**

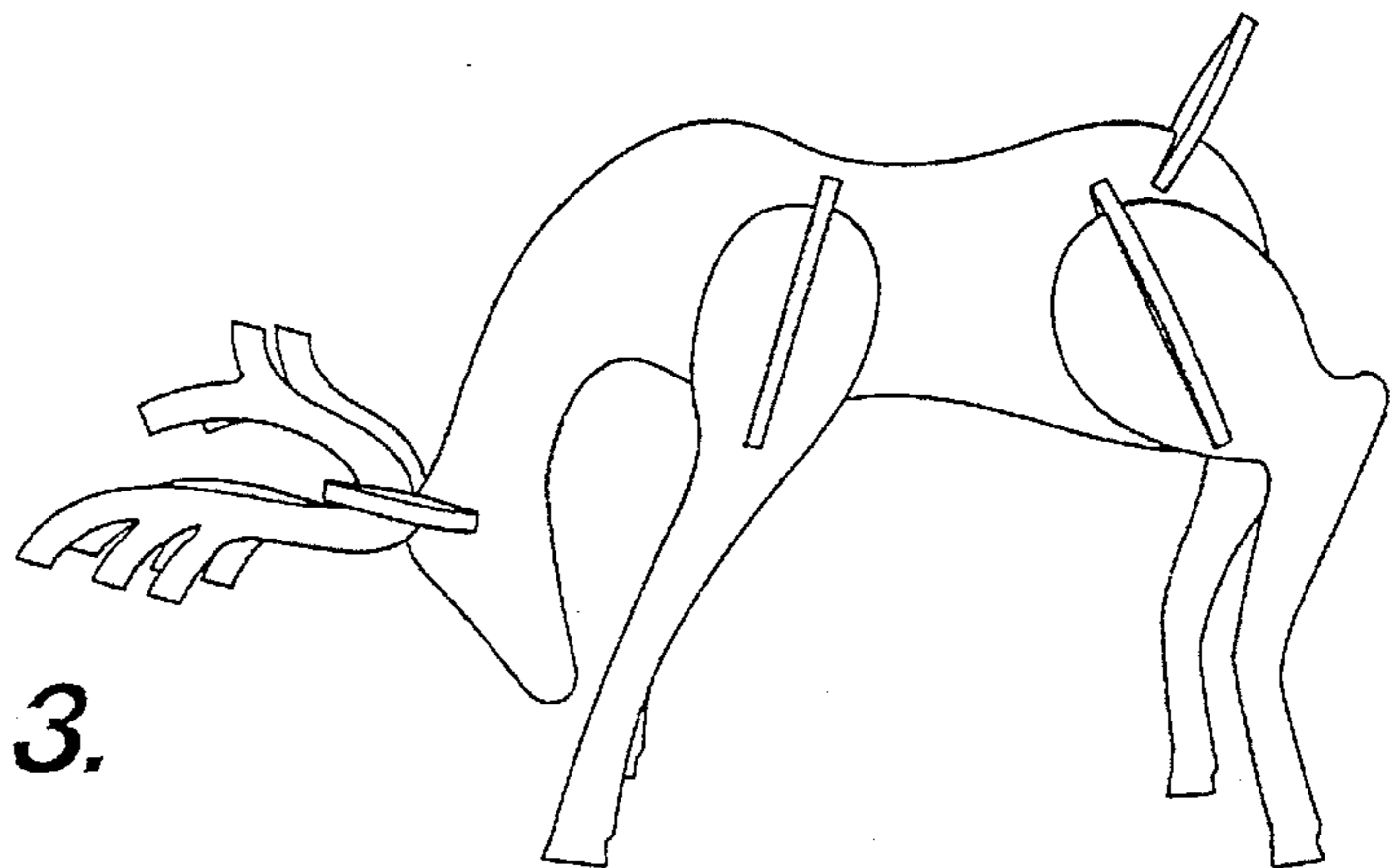




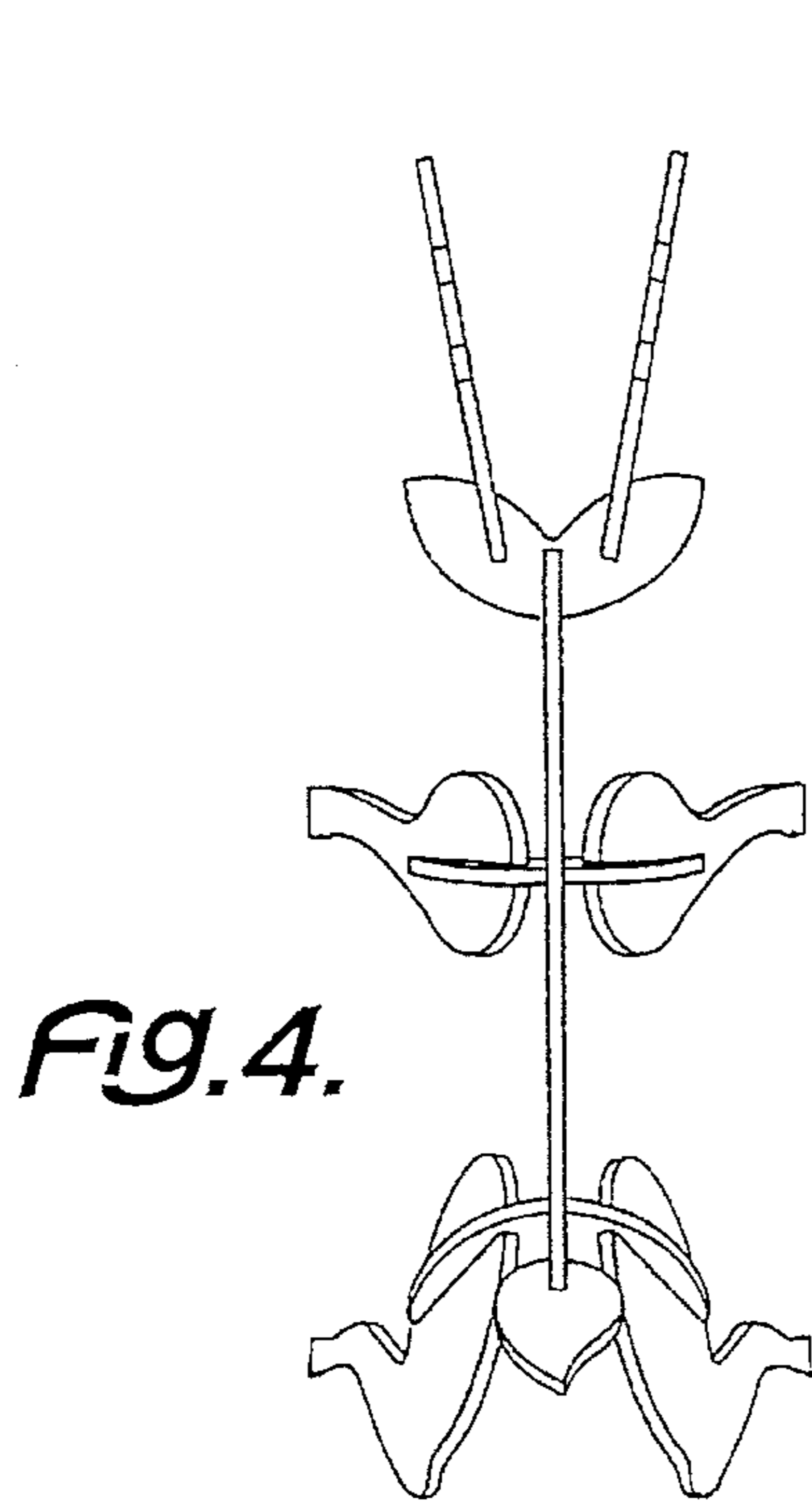
*FIG. 1.*



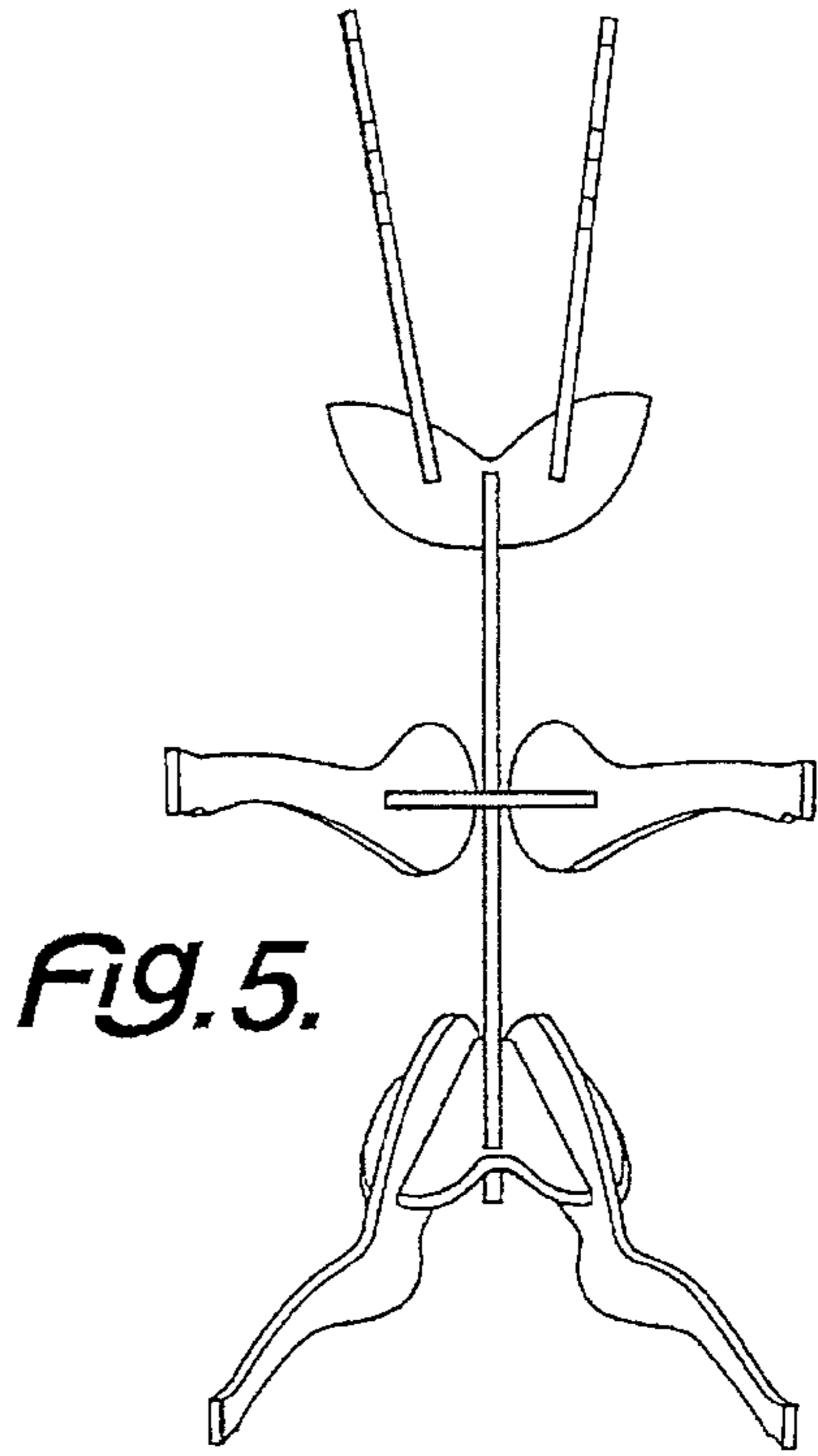
*FIG. 2.*



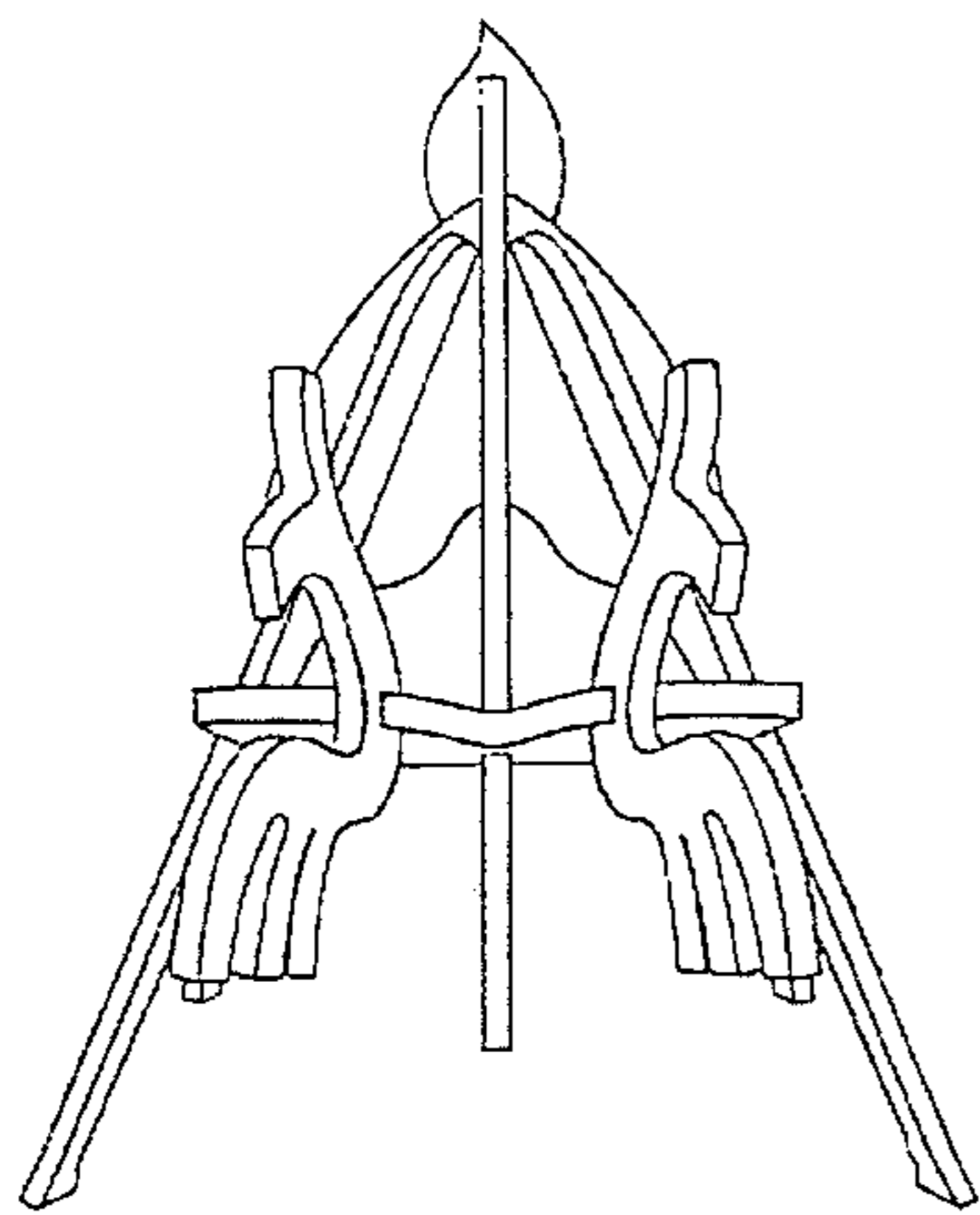
*FIG. 3.*



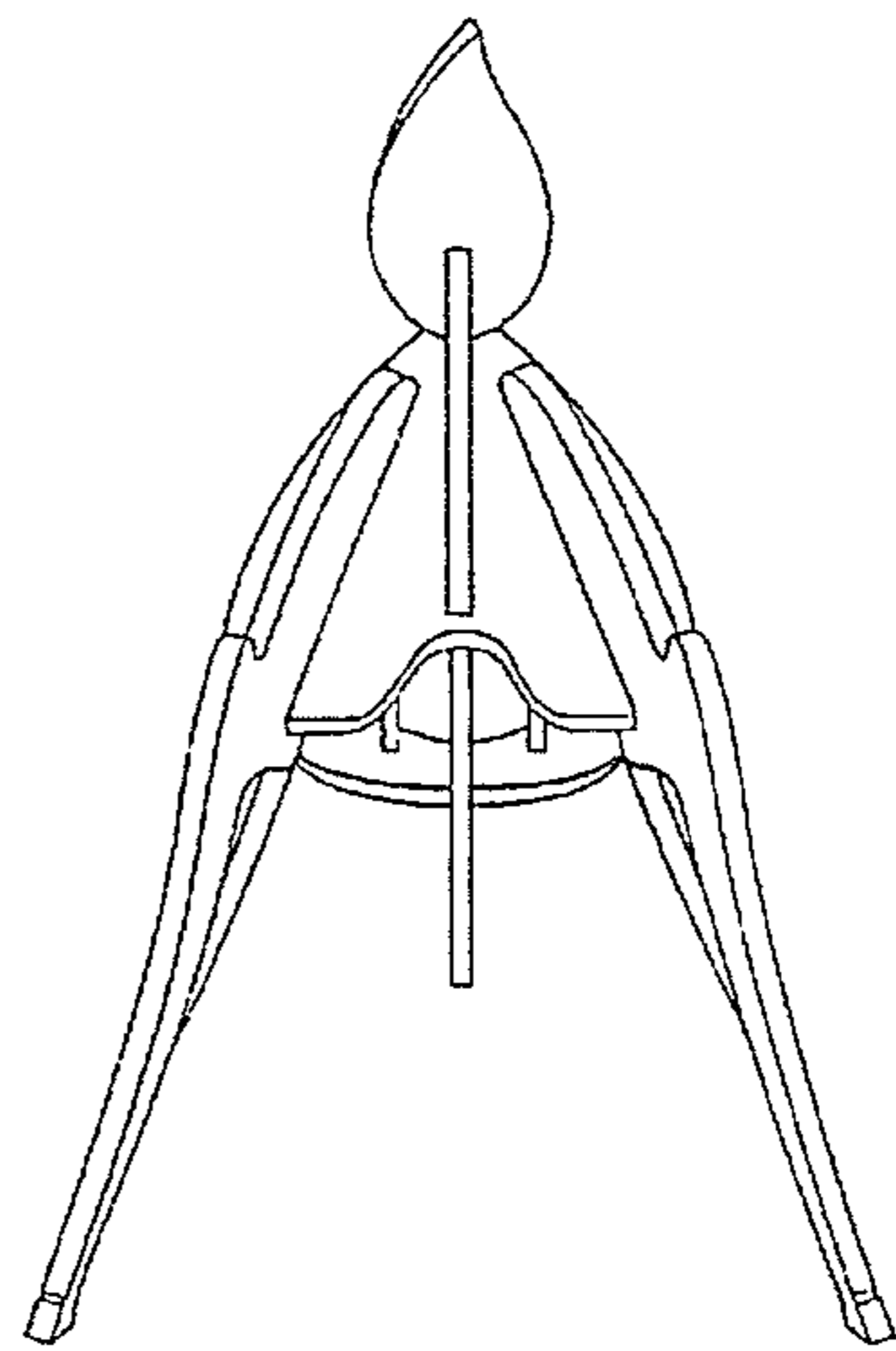
*FIG. 4.*



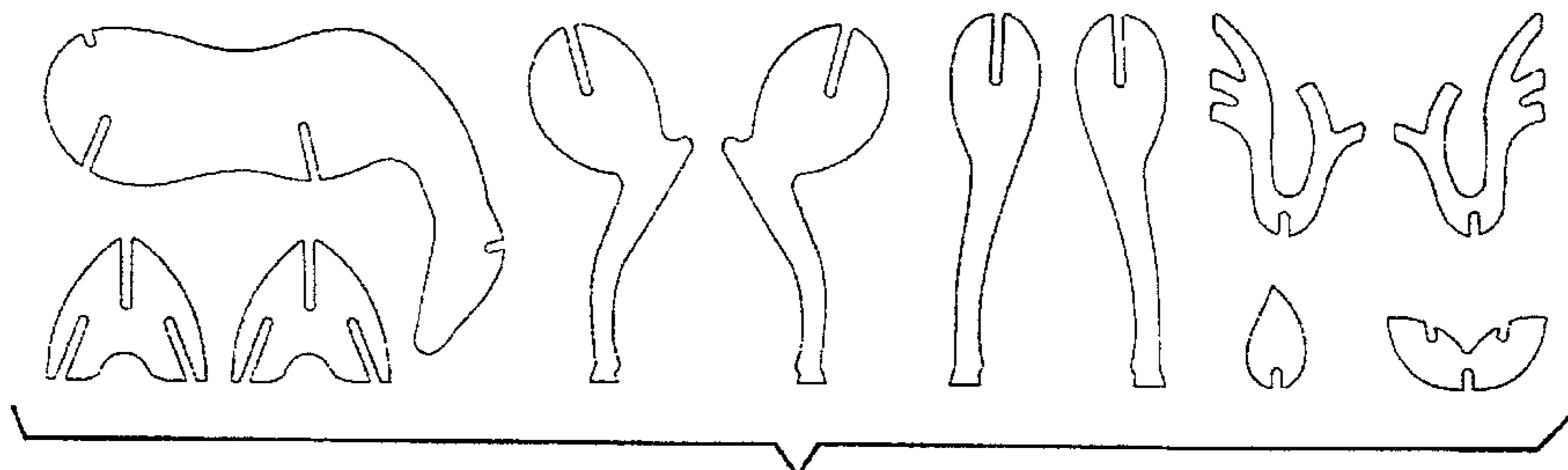
*FIG. 5.*



*FIG. 6.*



*FIG. 7.*



*FIG. 8.*