



US00D383409S

United States Patent [19] Riley

[11] Patent Number: **Des. 383,409**

[45] Date of Patent: ****Sep. 9, 1997**

[54] **WRISTWATCH STRAP**

[75] Inventor: **Judith R. Riley**, Goshen, Conn.

[73] Assignee: **Timex Corporation**, Middlebury, Conn.

[**] Term: **14 Years**

[21] Appl. No.: **56,694**

[22] Filed: **Jul. 8, 1996**

[51] LOC (6) Cl. **11-01**

[52] U.S. Cl. **D11/3**

[58] Field of Search D11/1-25; 63/1.1,
63/2, 3; D10/30-31

[56] **References Cited**

U.S. PATENT DOCUMENTS

- D. 142,215 8/1945 Kaufman D11/3
- D. 171,005 12/1953 Nolin D11/3
- D. 255,018 5/1980 Hofman D11/3

Primary Examiner—Ralf Seifert
Attorney, Agent, or Firm—William C. Crutcher

[57] **CLAIM**

The ornamental design for a wristwatch strap, as shown and described.

DESCRIPTION

FIG. 1 is a top plan view of a wristwatch strap showing my new design;

FIG. 2 is a right side elevational view, the opposite side being a mirror image;

FIG. 3 is a bottom plan view; and,

FIG. 4 is a cross-sectional view taken along the line 4—4 of FIG. 1.

The broken line showing of a watch case in FIGS. 1-3, is for illustrative purposes only and forms no part of the claimed design.

1 Claim, 1 Drawing Sheet

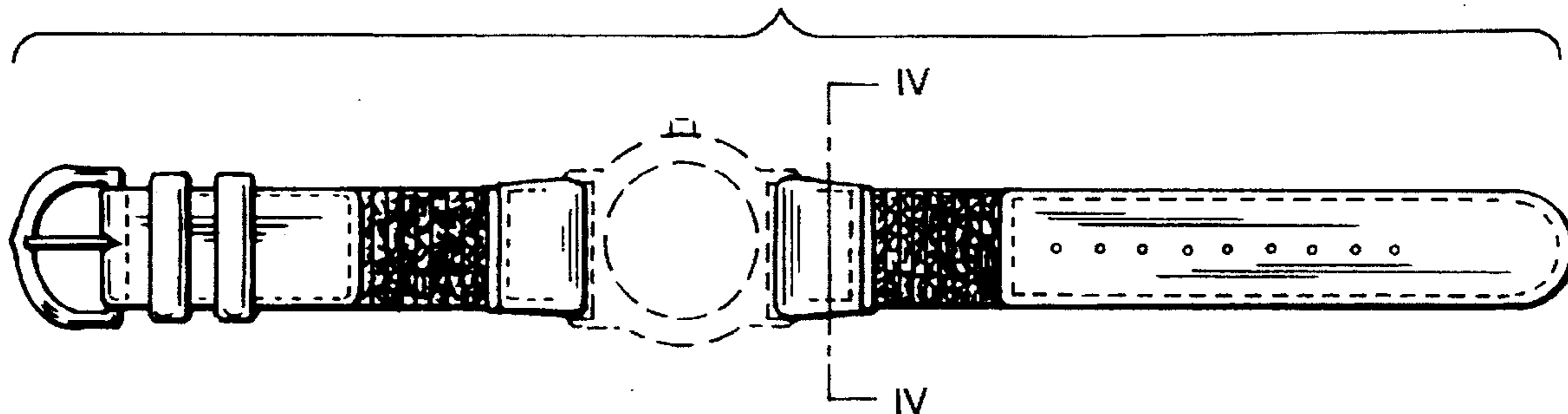


FIG. 1

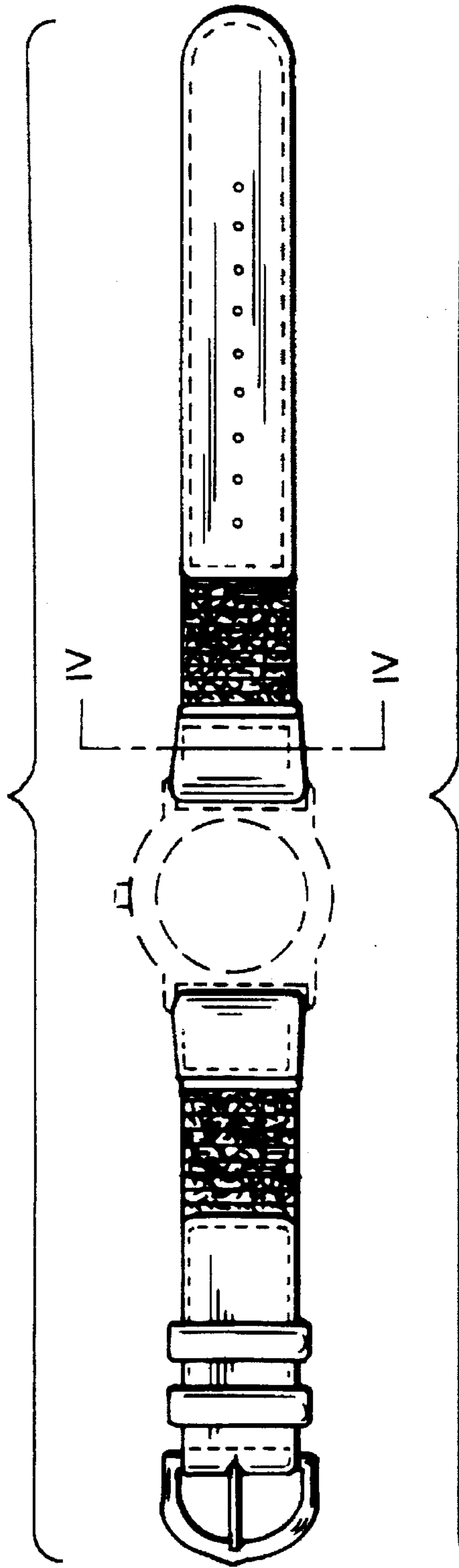


FIG. 2

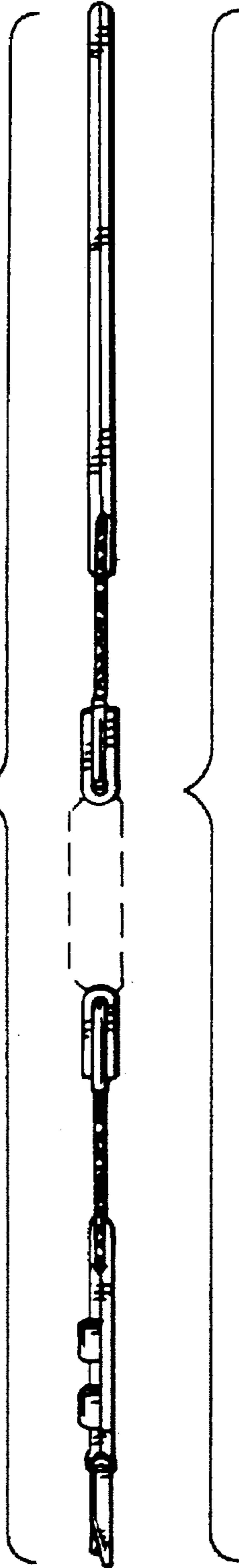


FIG. 3

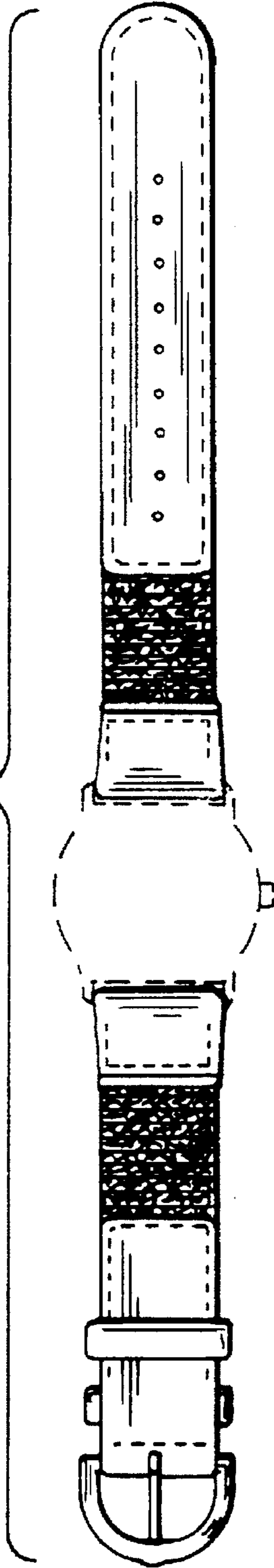


FIG. 4