



US00D383407S

# United States Patent [19]

[11] Patent Number: **Des. 383,407**

**Repp et al.**

[45] Date of Patent: **\*\*Sep. 9, 1997**

[54] **GRILLE FOR A SMOKE DETECTOR**

[75] Inventors: **Timothy C. Repp**, New Hartford, Conn.; **Wayne Nelson**, Maynard, Mass.; **Lawrence G. Stanley**, Templeton, Mass.; **Charles Winterble**, Princeton, Mass.

[73] Assignee: **Simplex Time Recorder Company**, Gardner, Mass.

[\*\*] Term: **14 Years**

[21] Appl. No.: **48,281**

[22] Filed: **Dec. 22, 1995**

[51] LOC (6) Cl. .... **10-05**

[52] U.S. Cl. .... **D10/106**

[58] Field of Search ..... D10/104, 106, D10/116, 121; 340/571, 572, 577, 578, 628, 629, 630

[56] **References Cited**

**U.S. PATENT DOCUMENTS**

D. 204,916	5/1966	Blevins	.....	D71/1
D. 215,039	8/1969	Nagao	.....	D72/1
D. 215,040	8/1969	Nagao	.....	D72/1
D. 226,539	3/1973	Fearsall	.....	D72/1

(List continued on next page.)

**OTHER PUBLICATIONS**

Simplex Time Recorder Company, Pamphlet, "TrueAlarm Fire Alarm Systems," Publication S4098-0003-8, 4 pp., Jan., 1995.

Simplex Time Recorder Company, Pamphlet, "Multi-Application Peripherals and Accessories," Publication S4098-0007-4, 4 pp., Apr. 1995.

Simplex Time Recorder Company, Leaflet, "Multi-Application Peripherals and Accessories," Publication S2098-0048-9, 1 p., Mar. 1995.

Simplex Time Recorder Company, Leaflet, "Multi-Application Peripherals and Accessories," Publication S2098-0049-6, 1 p., Feb., 1994.

Simplex Time Recorder Company, Leaflet, "Multi-Application Peripherals and Accessories," Publication S2098-0056-2, 1 p., Jun., 1994.

Simplex Time Recorder Company, Leaflet, "Multi-Application Peripherals and Accessories," Publication S2098-0055-4, 1 p., Feb., 1994.

*Primary Examiner*—Marcus A. Jackson  
*Attorney, Agent, or Firm*—Hamilton, Brook, Smith & Reynolds, P.C.

[57] **CLAIM**

The new and ornamental design for a grille for a smoke detector, as shown and described.

**DESCRIPTION**

FIG. 1 is a perspective view of a grille for a smoke detector illustrating one embodiment of our new design;

FIG. 2 is a plan view of the a grille for a smoke detector FIG. 1;

FIG. 3 is a side view of the a grille for a smoke detector FIG. 1, the other side being a mirror image thereof;

FIG. 4 is a perspective view of a grille for a smoke detector illustrating an alternative embodiment of our new design;

FIG. 5 is a plan view of the embodiment of FIG. 4;

FIG. 6 is a side view of the embodiment of FIG. 4, the opposite side view being a mirror image thereof;

FIG. 7 is a perspective view of a grille for a smoke detector illustrating a third embodiment of our new design;

FIG. 8 is a plan view of the embodiment of FIG. 7;

FIG. 9 is a side view of the embodiment of FIG. 7, the opposite side view being a mirror image thereof;

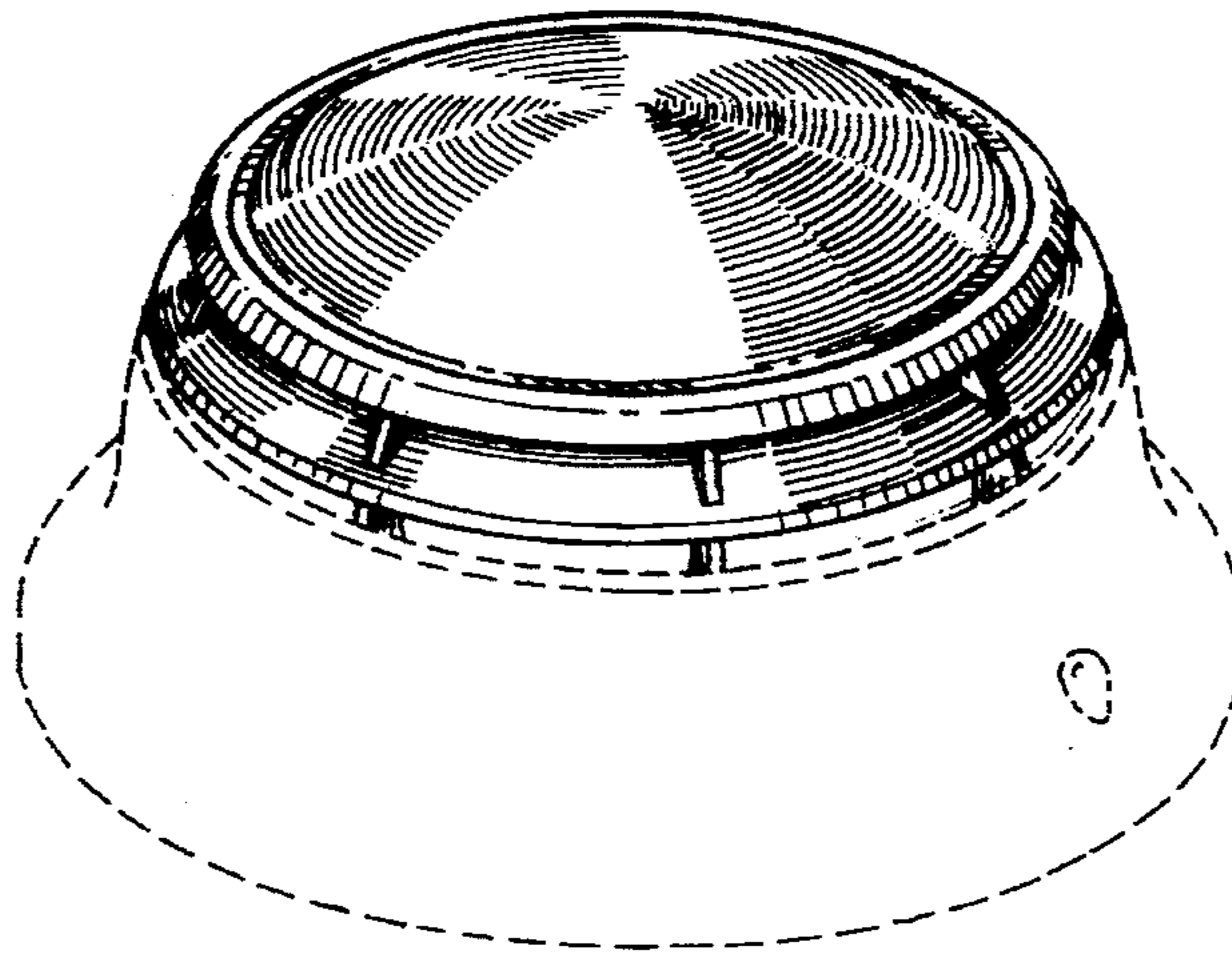
FIG. 10 is a perspective view of a grille for a smoke detector illustrating a fourth embodiment of our new design;

FIG. 11 is a plan view of the a grille for a smoke detector of FIG. 10; and,

FIG. 12 is a side view of the a grille for a smoke detector of FIG. 10, the opposite side view being a mirror image thereof.

Front and rear elevations have not been illustrated as the a grille for a smoke detector is circular such that all side views are substantially the same. The bottoms of the detectors have not been illustrated as they are non-ornamental and not part of the design.

**1 Claim, 8 Drawing Sheets**



## U.S. PATENT DOCUMENTS

D. 235,629	7/1975	Steele et al.	.....	D10/106	D. 319,798	9/1991	Hatano	.....	D10/104
D. 235,857	7/1975	Hart	.....	D10/106	D. 332,231	1/1993	Akimoto et al.	.....	D10/104
D. 238,057	12/1975	Pearsall et al.	.....	D10/106	D. 339,078	9/1993	Behlke	.....	D10/104
D. 241,824	10/1976	Mackay	.....	D10/106	D. 339,756	9/1993	Igarashi et al.	.....	D10/104
D. 244,362	5/1977	Mayer	.....	D10/106	D. 339,998	10/1993	Igarashi et al.	.....	D10/104
D. 247,164	2/1978	Lowell	.....	D10/106	D. 340,201	10/1993	Fenne et al.	.....	D10/104
D. 253,525	11/1979	Wilson	.....	D10/106	D. 340,416	10/1993	Fenne	.....	D10/104
D. 269,161	5/1983	Fenne	.....	D10/106	D. 340,659	10/1993	Fenne	.....	D10/104
D. 269,331	6/1983	Fenne	.....	D10/106	D. 342,213	12/1993	Fellmann	.....	D10/104
D. 271,287	11/1983	Fenne	.....	D10/106	D. 355,386	2/1995	Fellman	.....	D10/106
D. 275,187	8/1984	Skarman	.....	D10/104	D. 355,862	2/1995	Tice et al.	.....	D10/104
D. 276,417	11/1984	Fenne	.....	D10/106	D. 357,202	4/1995	Ozawa	.....	D10/104
D. 279,872	7/1985	Thornton, Jr. et al.	.....	D10/106	D. 357,203	4/1995	Ozawa	.....	D20/104
D. 283,407	4/1986	Fenne	.....	D10/104	D. 358,109	5/1995	Ozawa	.....	D10/106
D. 308,836	6/1990	Fenne	.....	D10/106	D. 359,701	6/1995	Fischette et al.	.....	D10/106
D. 316,828	5/1991	Amamiya et al.	.....	D10/104	D. 361,732	8/1995	Fischette et al.	.....	D10/104
D. 318,437	7/1991	Kojima et al.	.....	D10/104	5,568,133	10/1996	Durrer et al.	.....	340/693

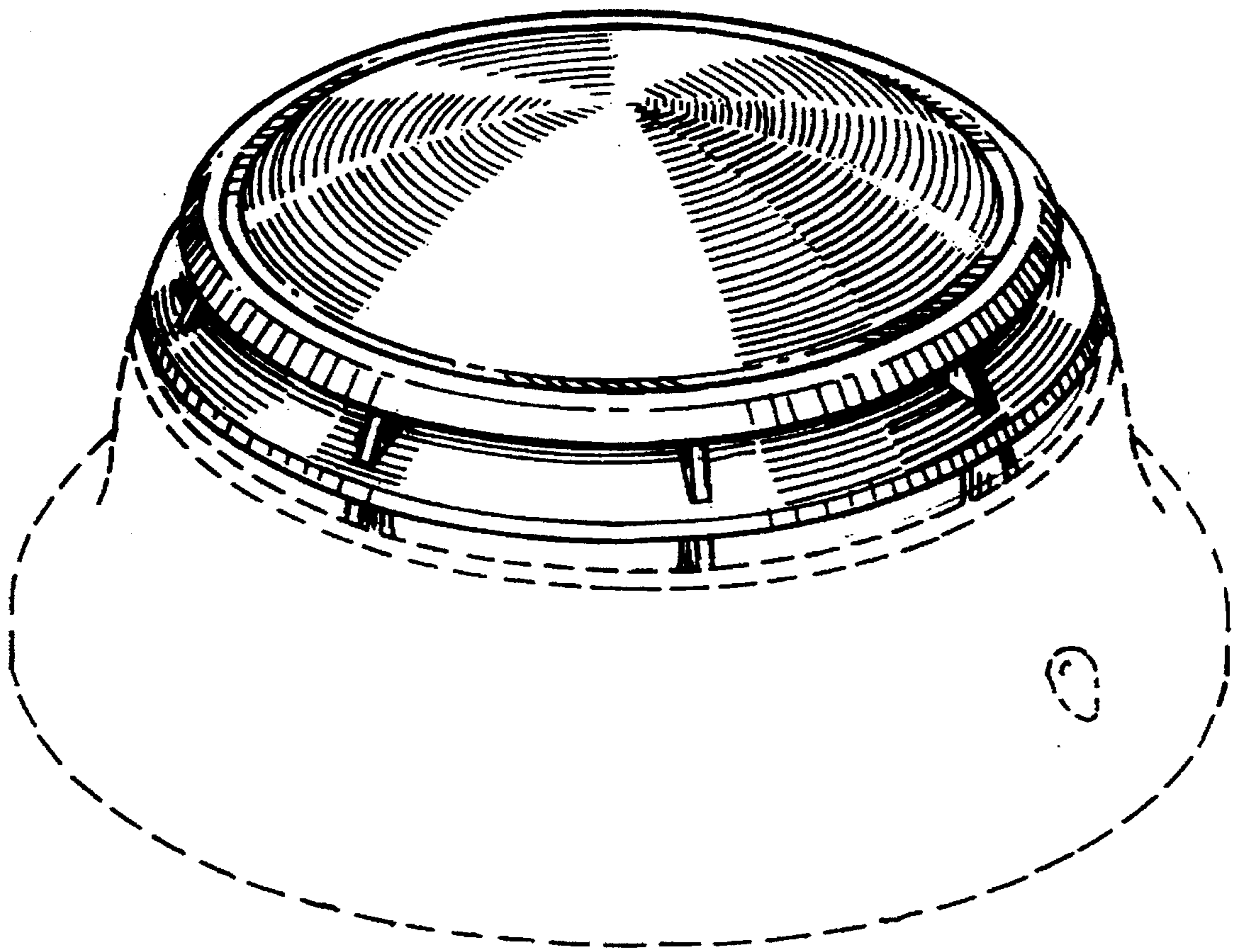


FIG. 1

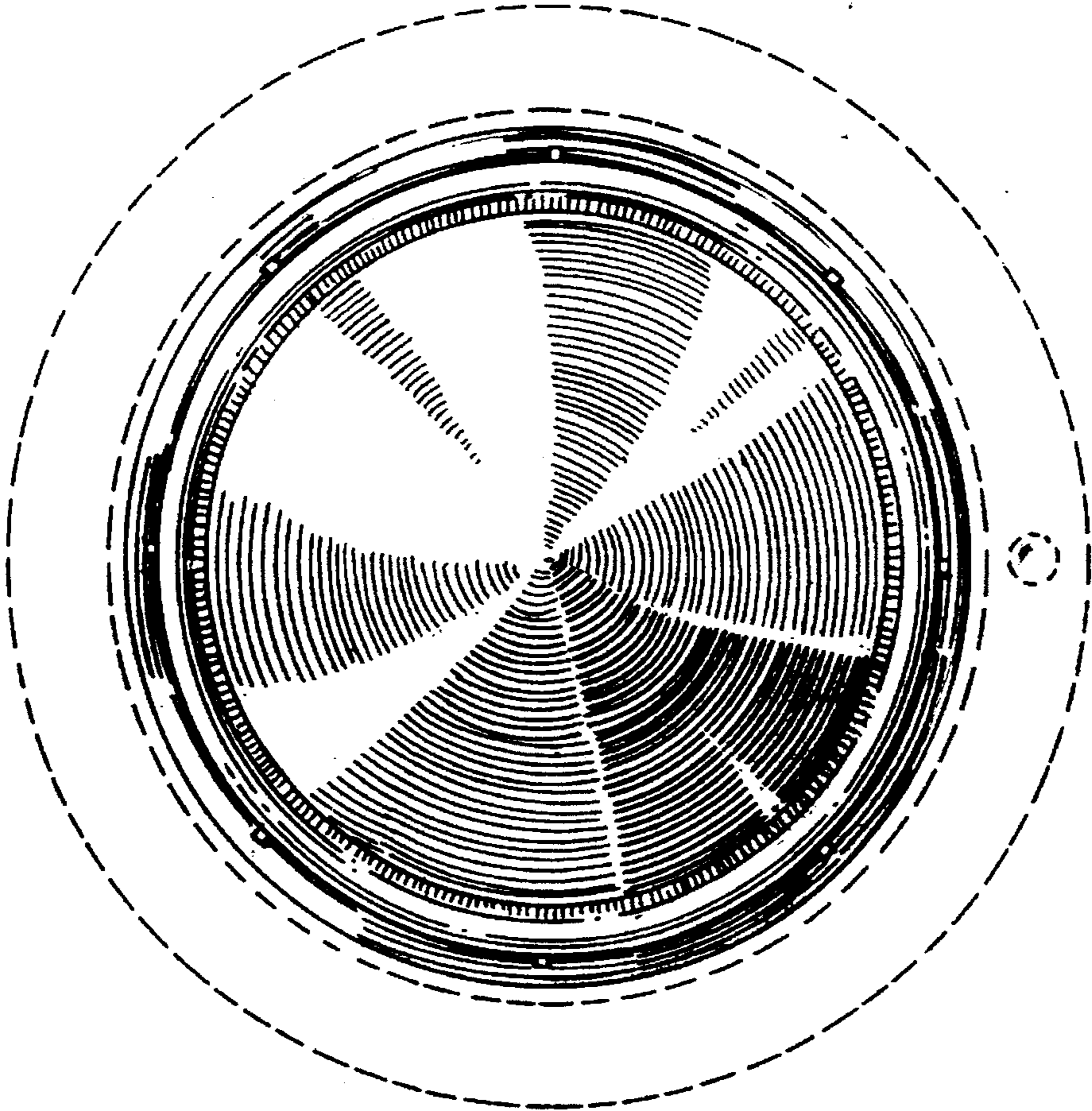


FIG. 2

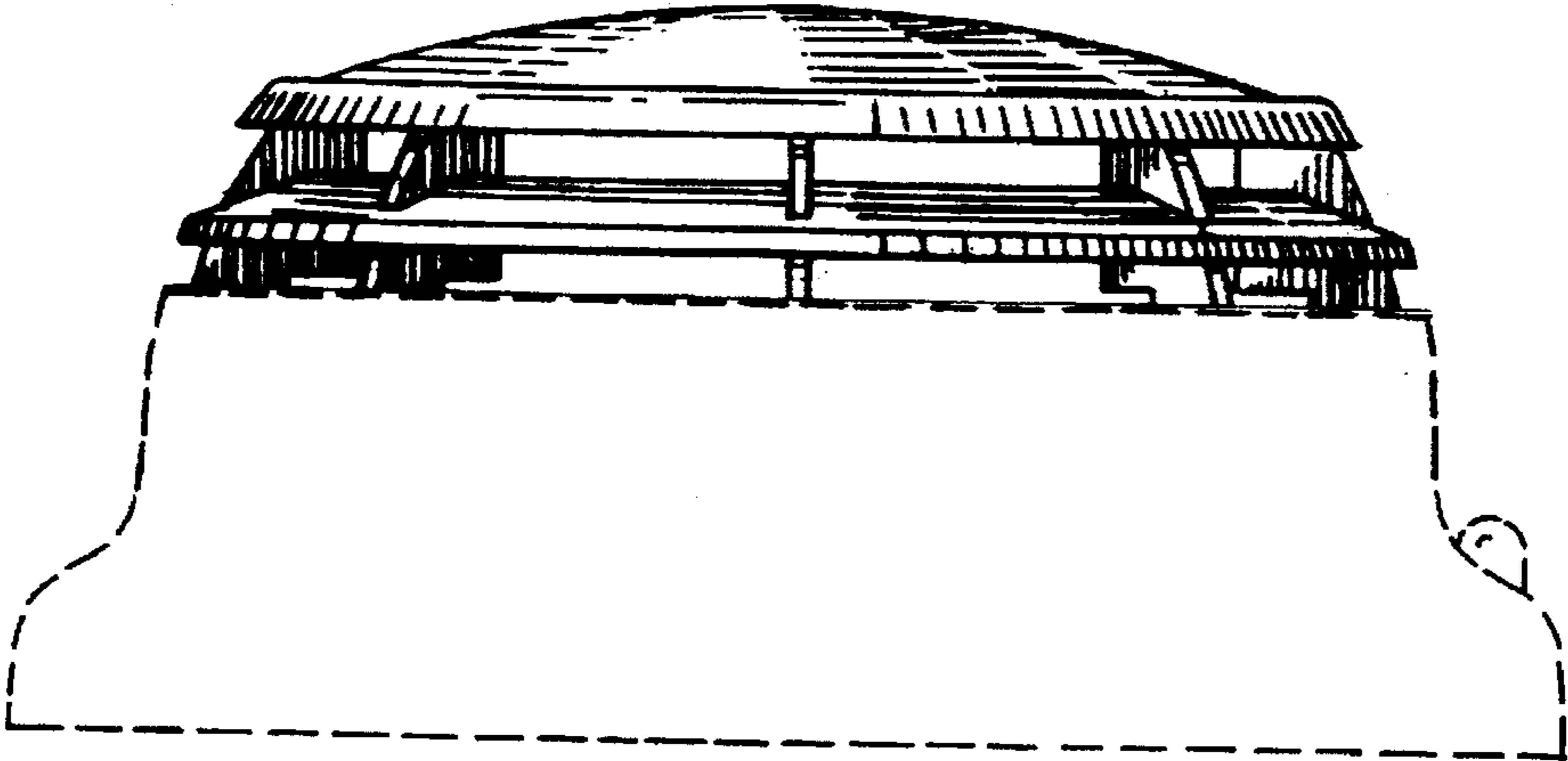


FIG. 3

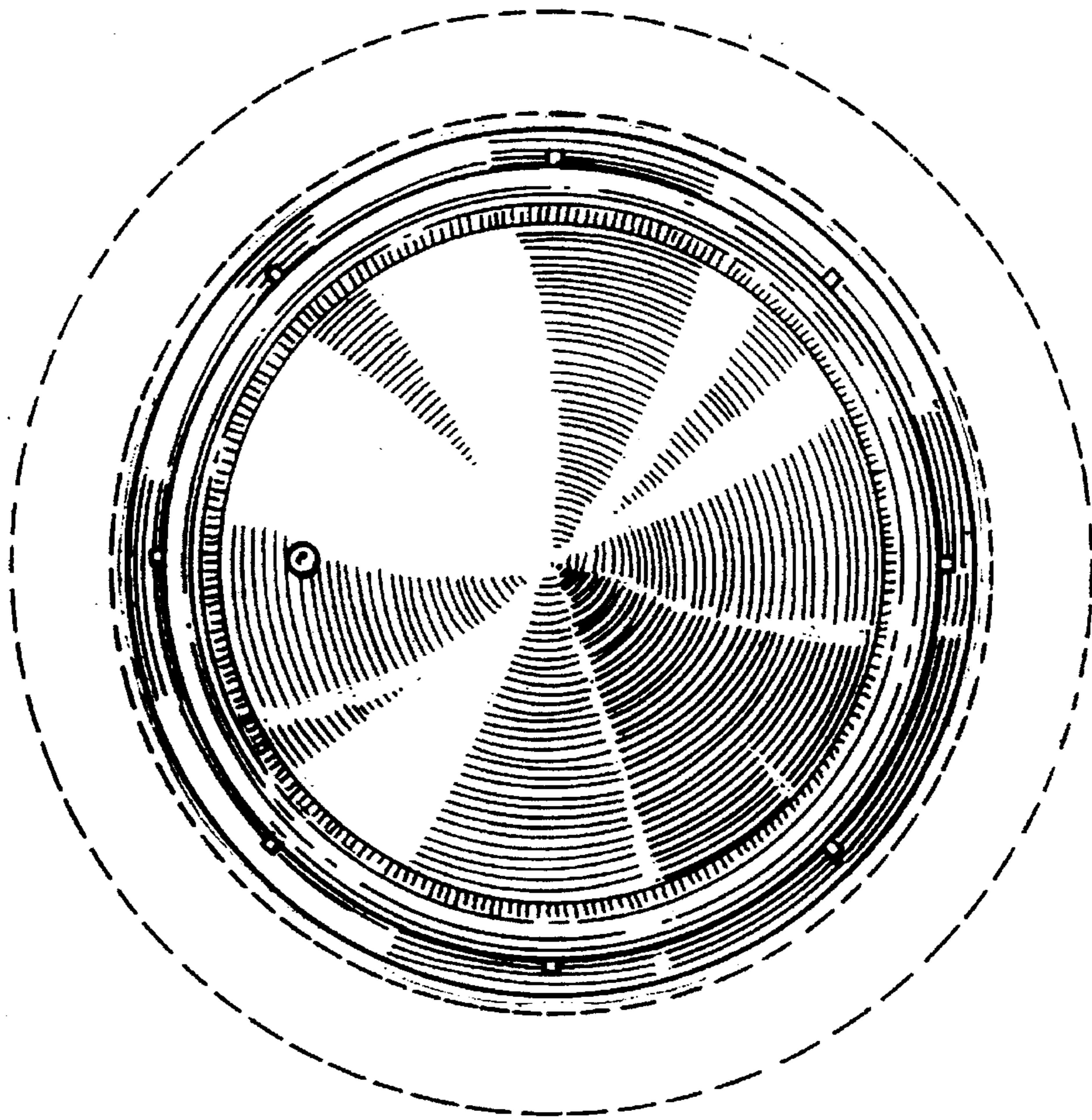


FIG. 5

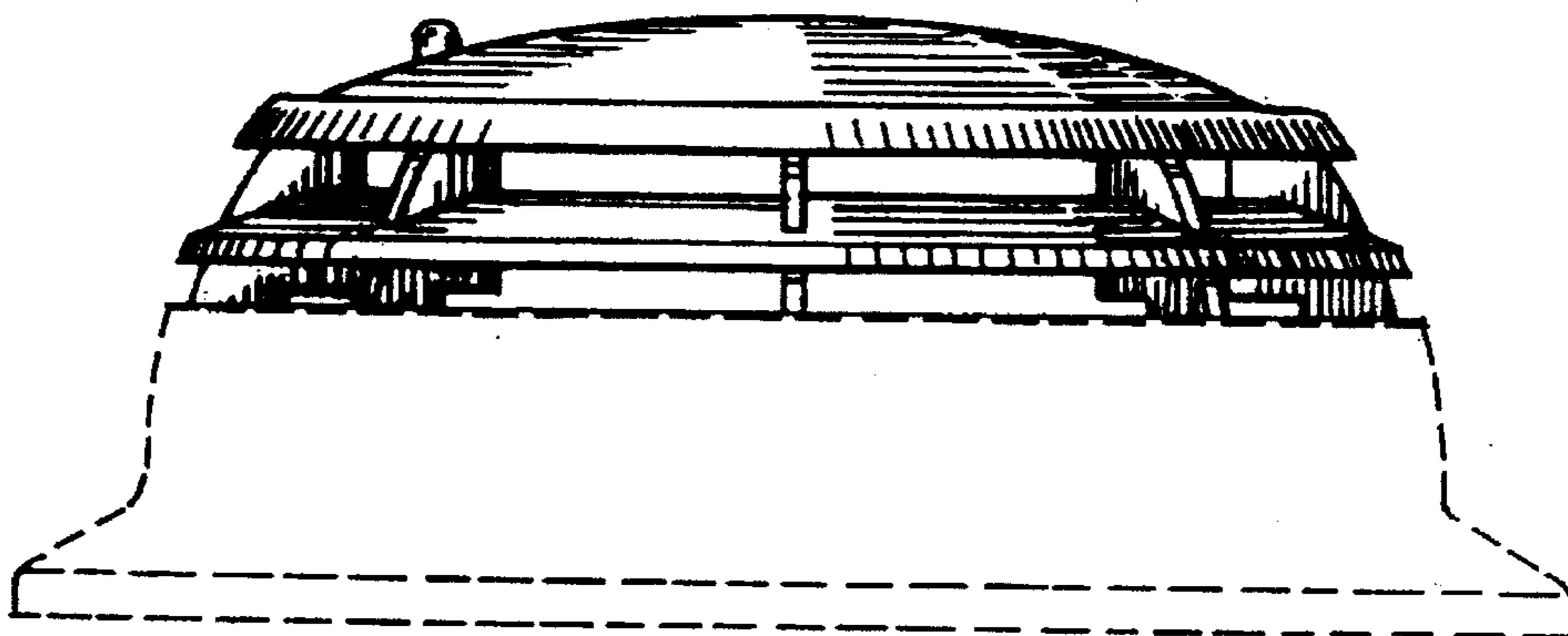


FIG. 6

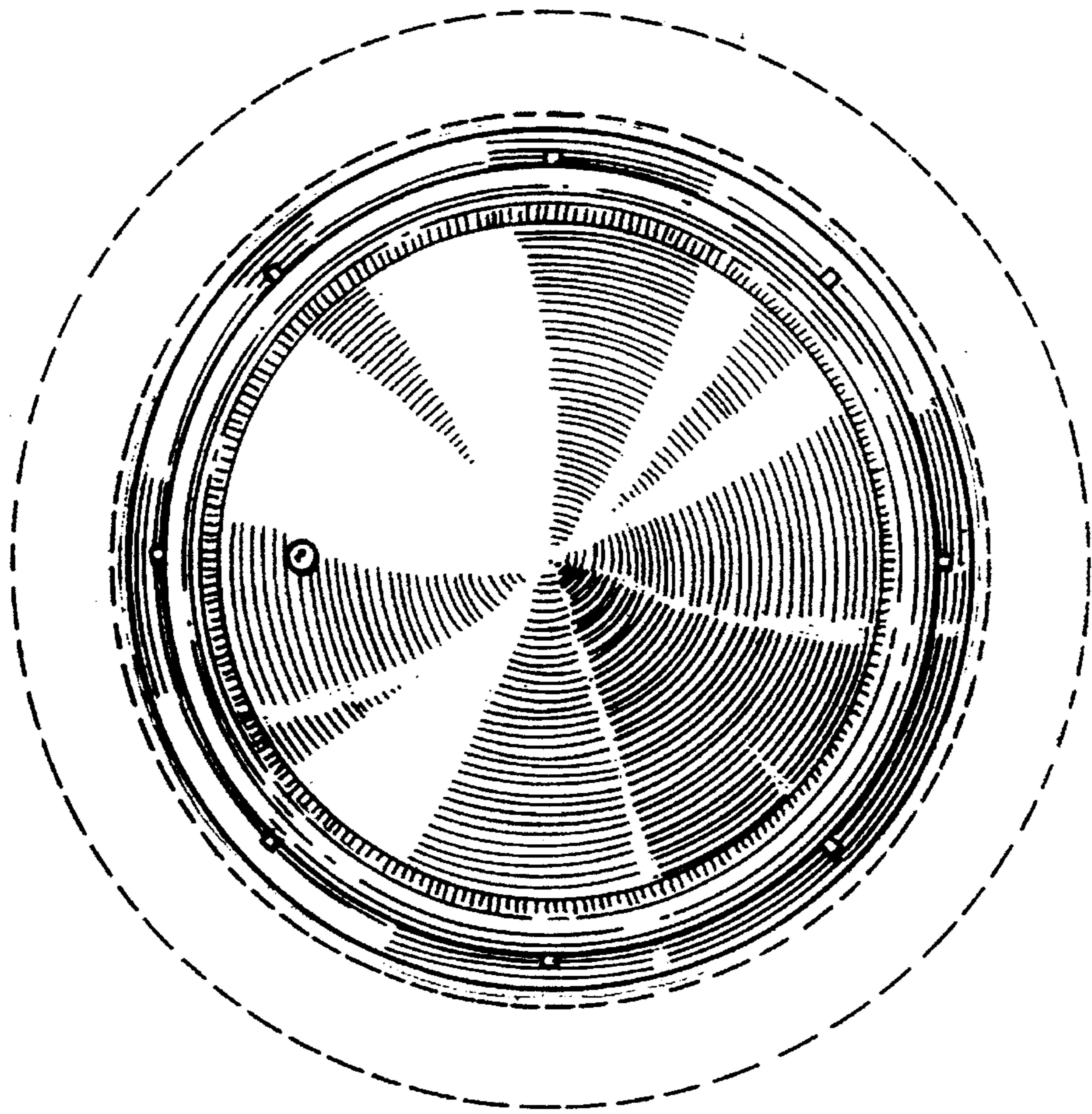


FIG. 5

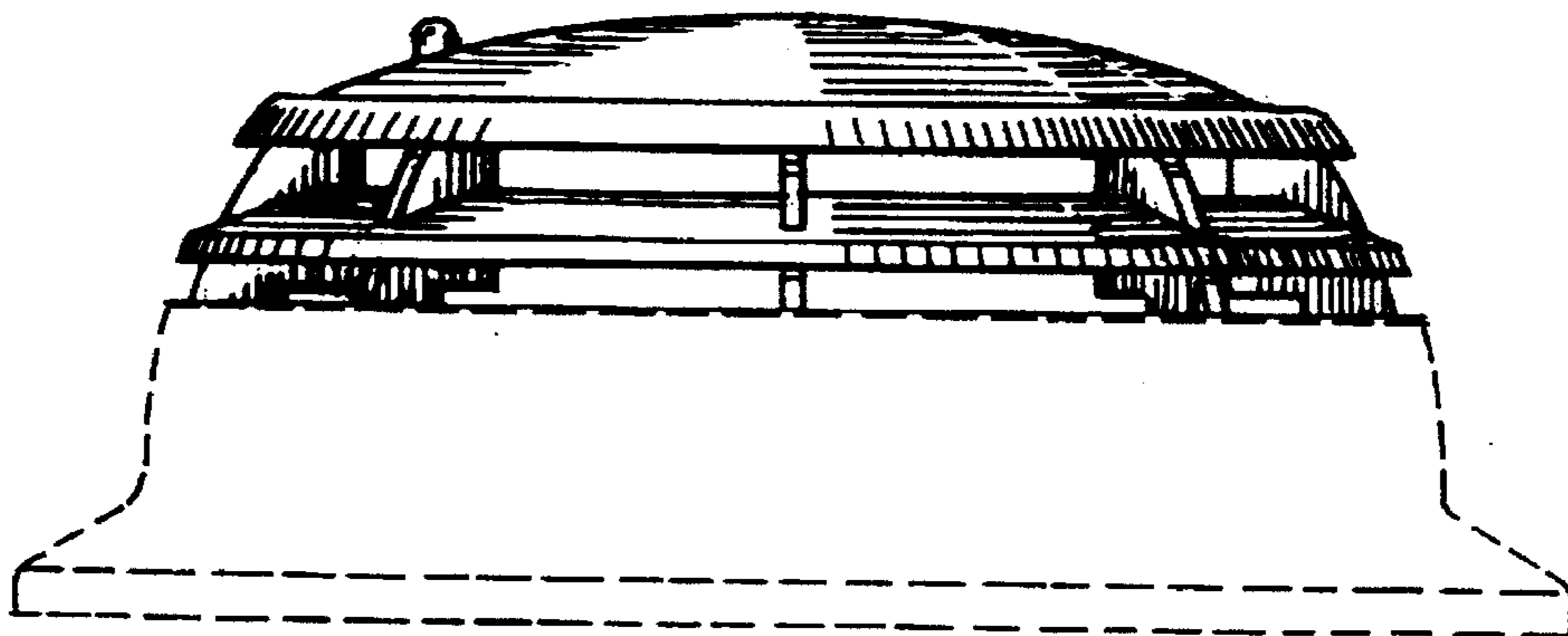


FIG. 6

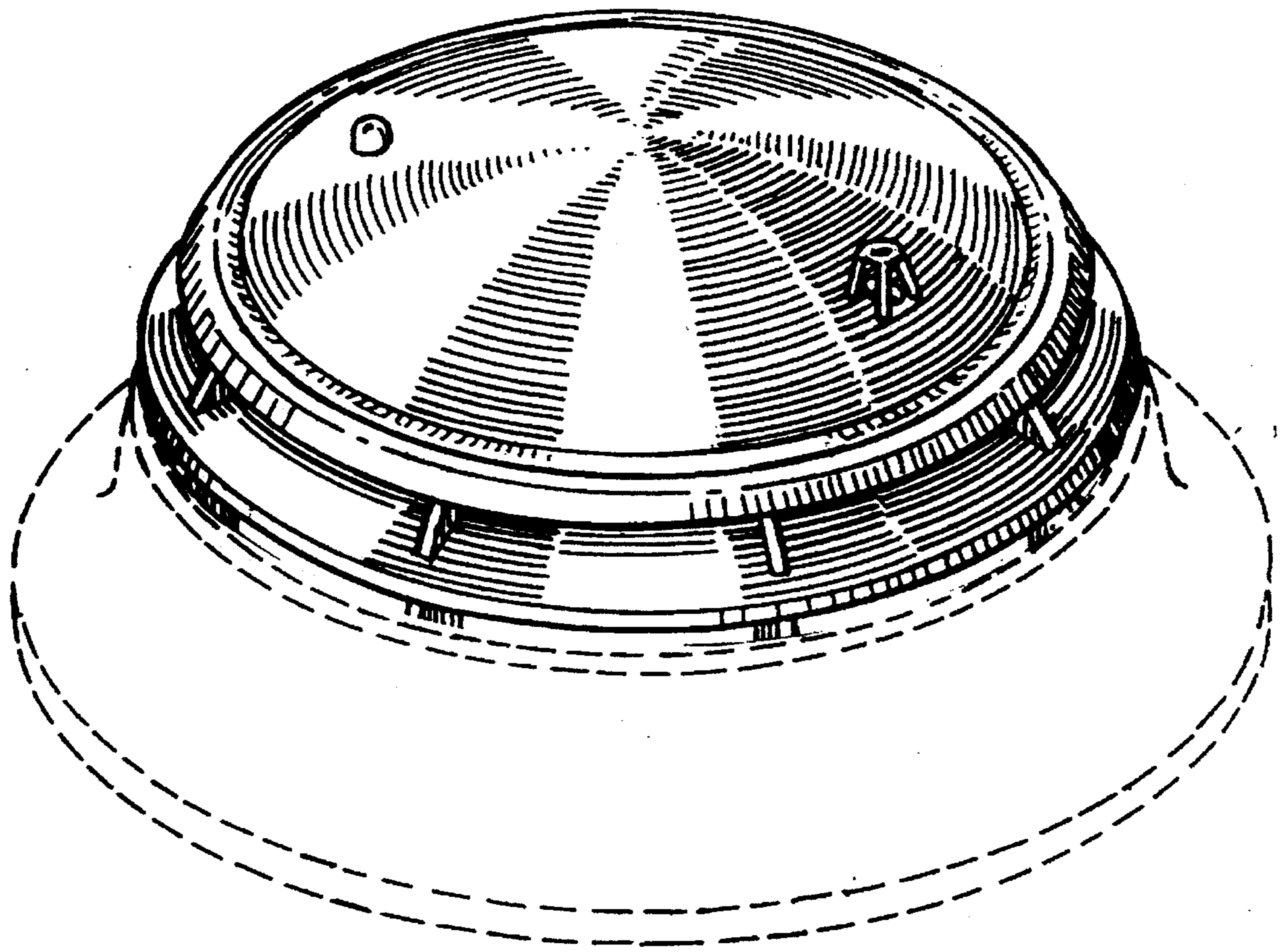


FIG. 7

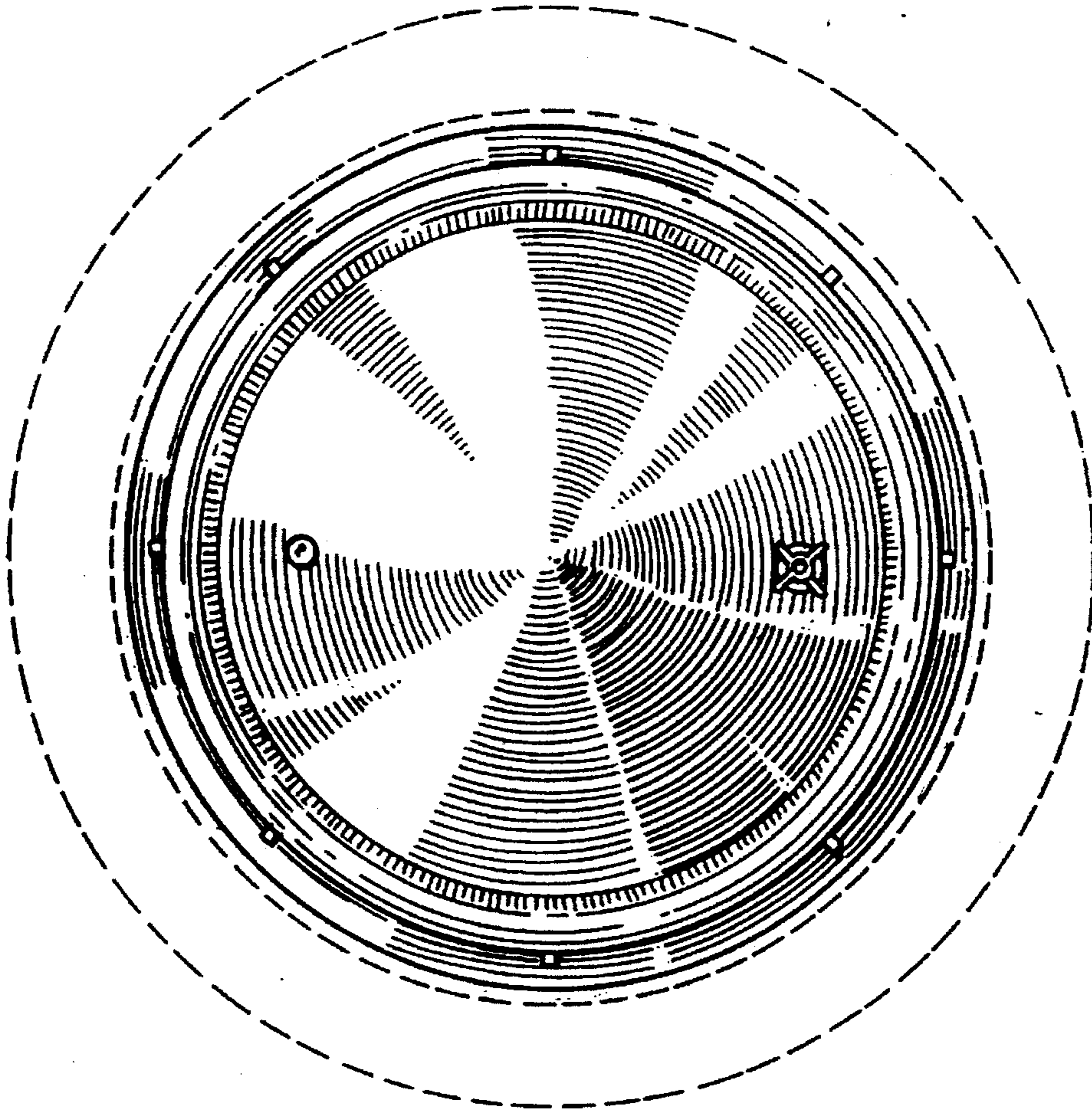


FIG. 8

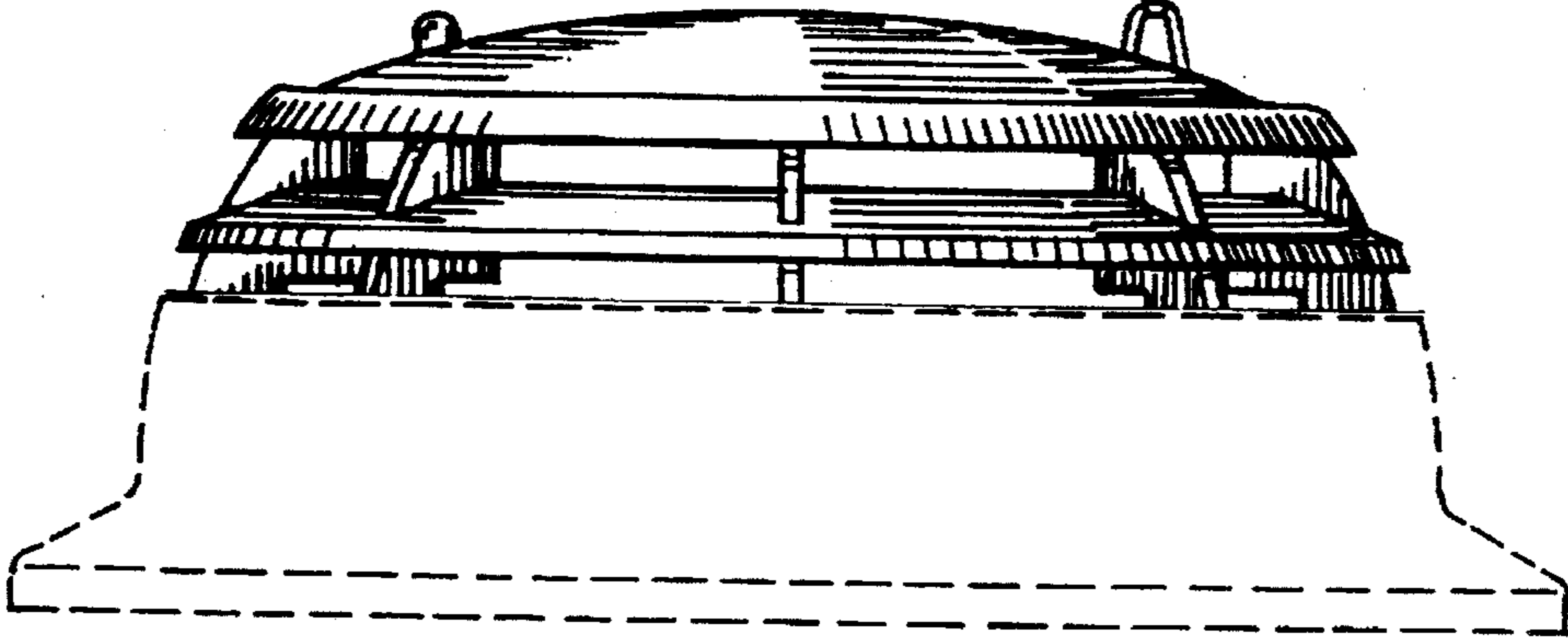


FIG. 9



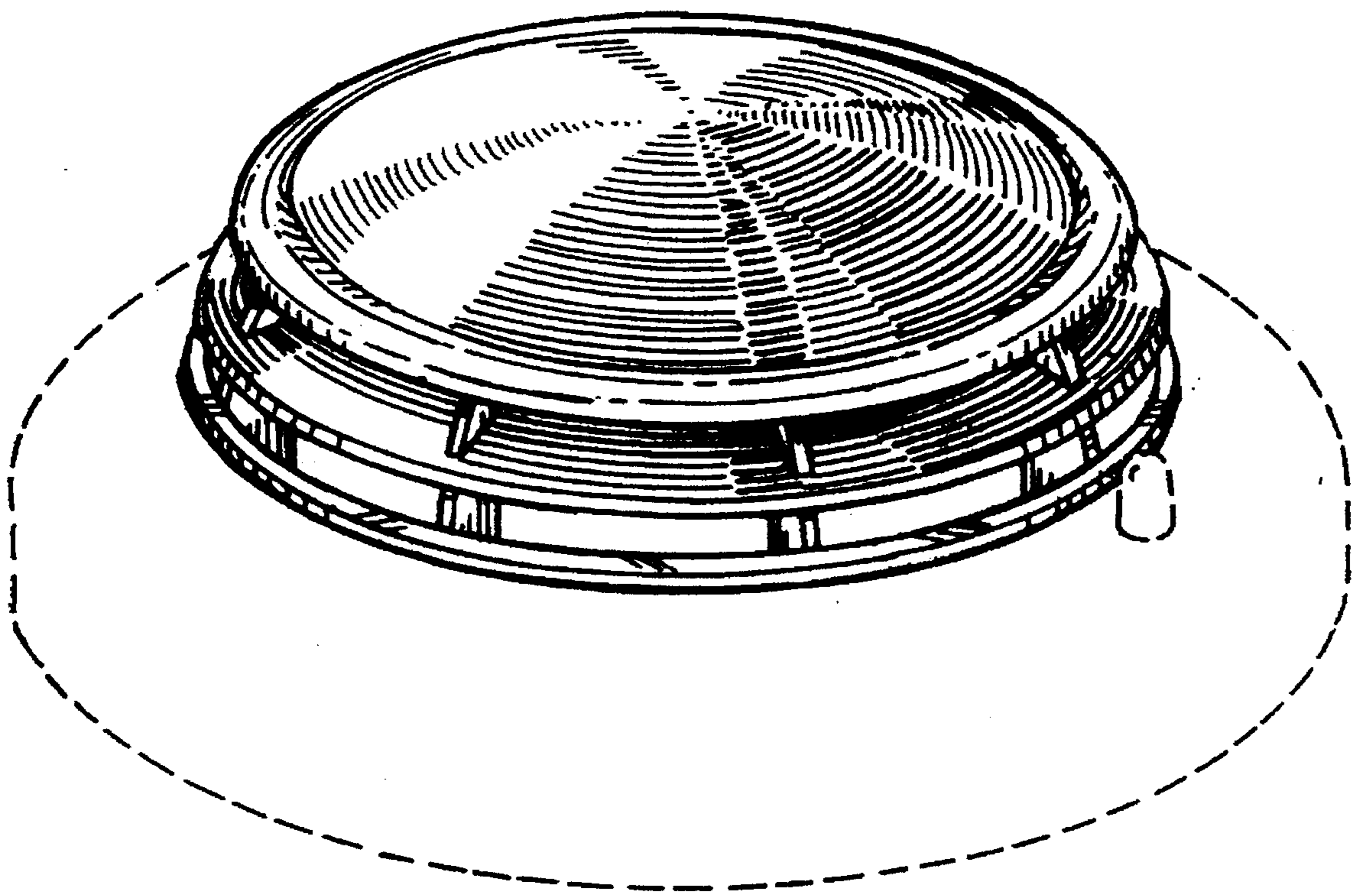


FIG. 10

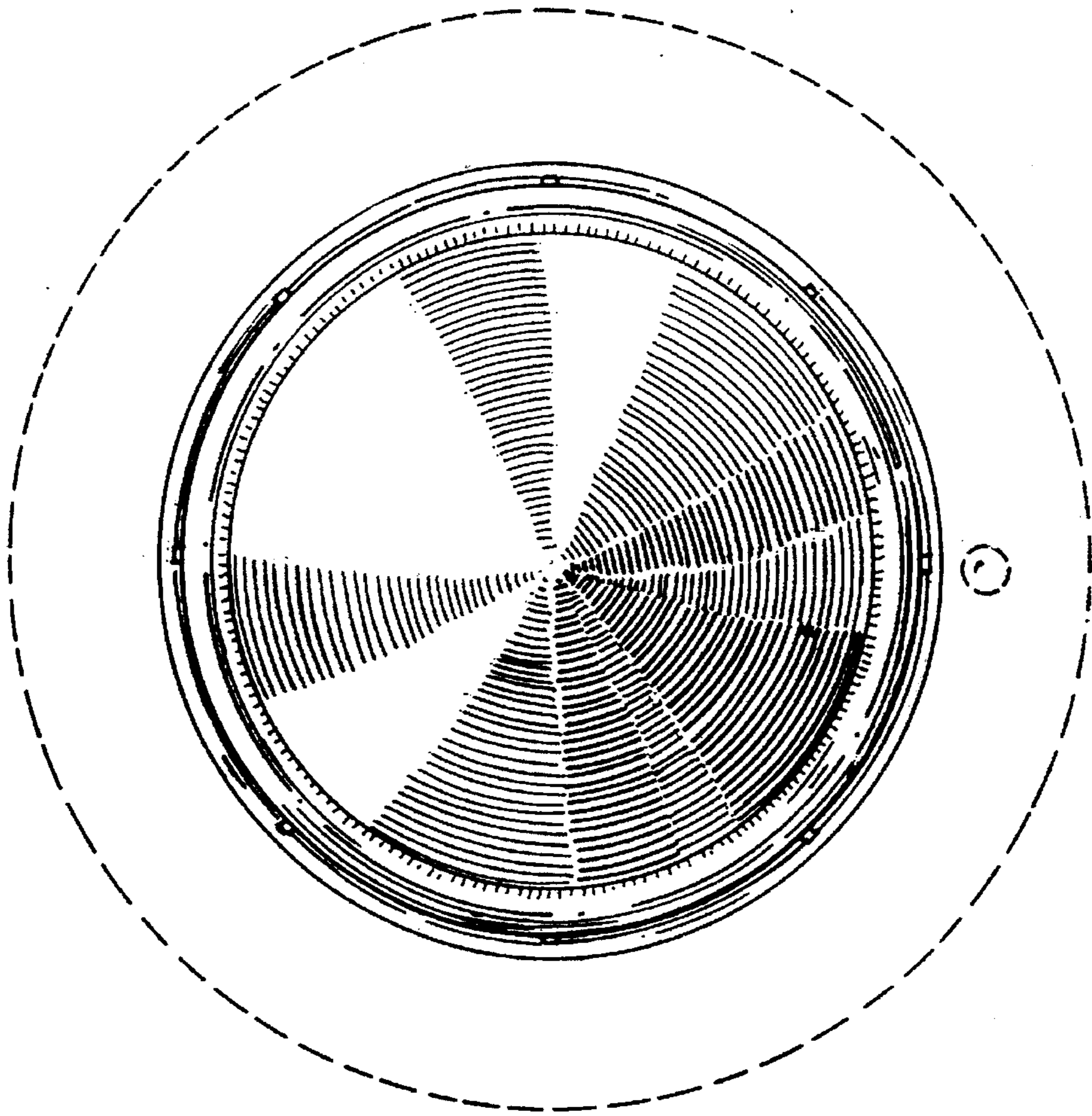


FIG. 11



FIG. 12