



US00D383406S

United States Patent [19]
Baker

[11] **Patent Number: Des. 383,406**
[45] **Date of Patent: **Sep. 9, 1997**

[54] **INSTRUMENT CALIBRATING DEMAND FLOW REGULATOR**

5,503,140 4/1996 Winefordner et al. 128/204.26 X
5,566,669 10/1996 Komesaroff 128/204.28 X

[75] **Inventor: George D. Baker, Cambridge, Md.**

Primary Examiner—Antoine Duval Davis
Attorney, Agent, or Firm—Burns, Doane, Swecker & Mathis, L.L.P.

[73] **Assignee: Air Liquide America Corporation, Houston, Tex.**

[**] **Term: 14 Years**

[57] **CLAIM**

The ornamental design for an instrument calibrating demand flow regulator, as shown and described.

[21] **Appl. No.: 50,989**

DESCRIPTION

[22] **Filed: Mar. 1, 1996**

[51] **LOC (6) Cl. 10-04**

[52] **U.S. Cl. D10/96**

[58] **Field of Search D10/96; 73/3; 137/494; 128/204.24, 204.26, 204.27, 204.28**

FIG. 1 is a front elevational view of the instrument calibrating demand flow regulator illustrating my design;
FIG. 2 is a top plan view of the instrument calibrating demand flow regulator;
FIG. 3 is a bottom plan view of the instrument calibrating demand flow regulator;
FIG. 4 is a left elevational side view of the instrument calibrating demand flow regulator;
FIG. 5 is a right elevational side view of the instrument calibrating demand flow regulator; and,
FIG. 6 is a rear elevational side view of the instrument calibrating demand flow regulator.

[56] **References Cited**

U.S. PATENT DOCUMENTS

- 3,467,137 9/1969 Brown .
- 3,633,611 1/1972 MacNiel .
- 4,140,113 2/1979 Pedersen .
- 4,214,580 7/1980 Pedersen .
- 5,343,858 9/1994 Winefordner et al. .
- 5,464,009 11/1995 Taracek-Gintowt 128/204.26 X

1 Claim, 2 Drawing Sheets

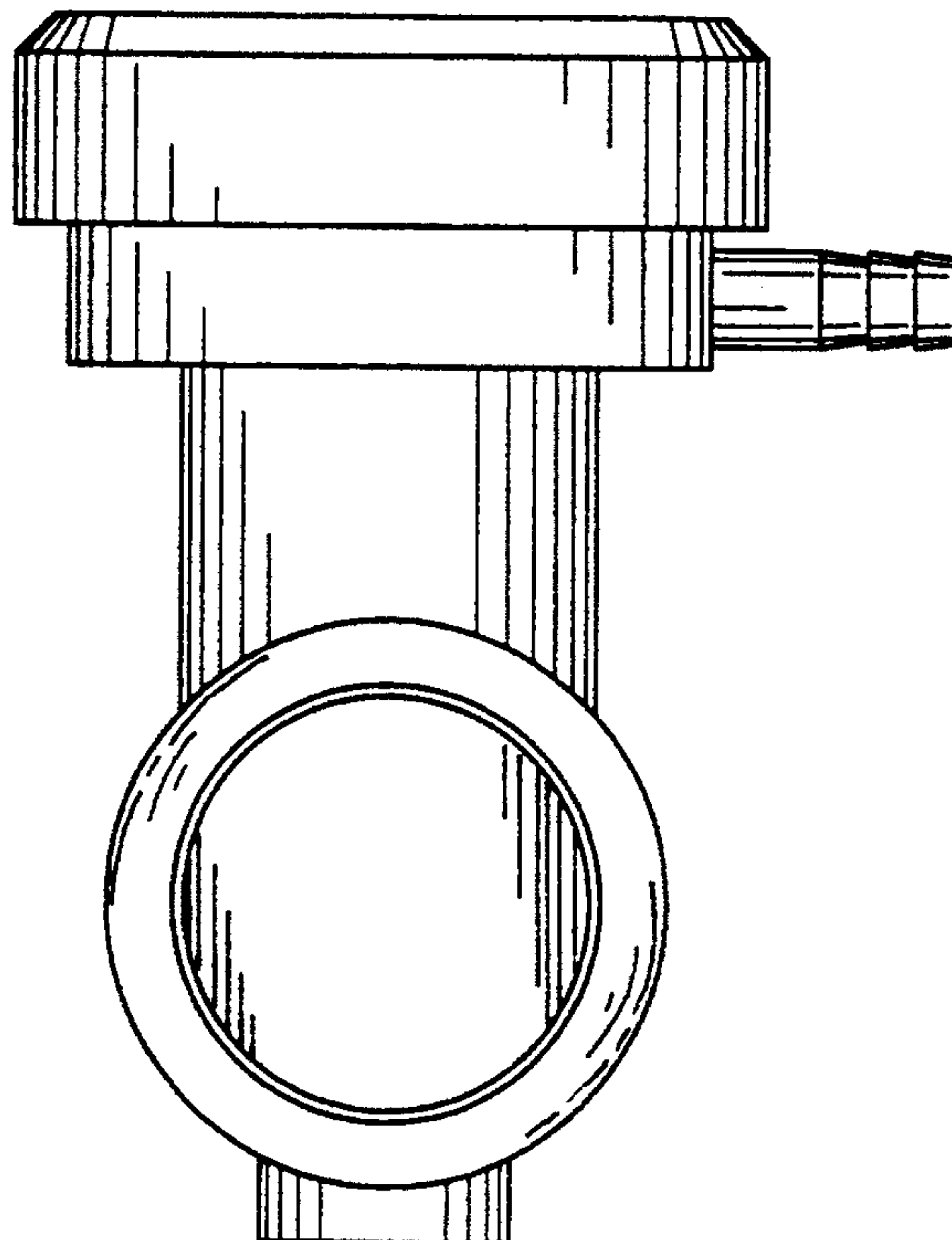


FIGURE 1

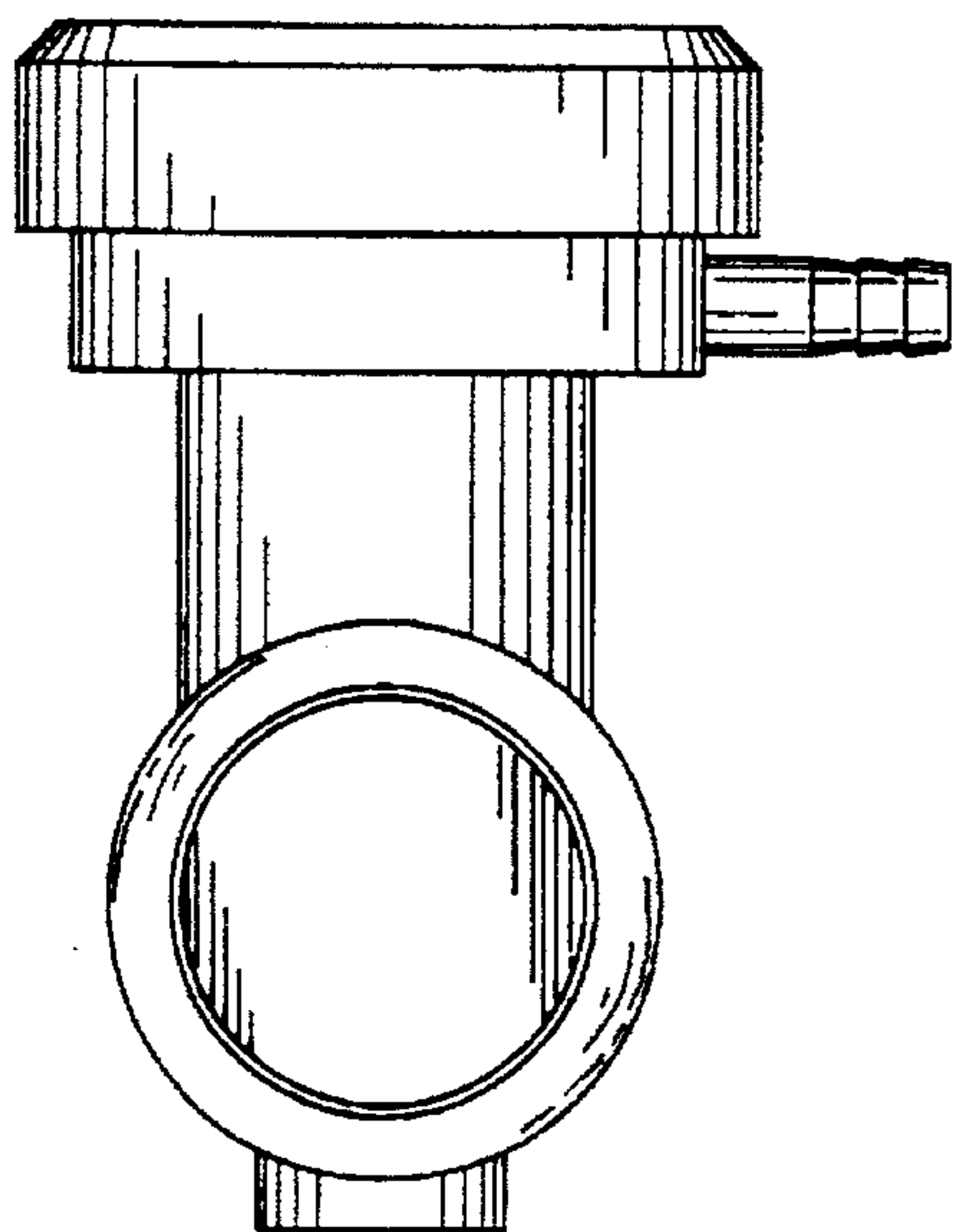


FIGURE 2

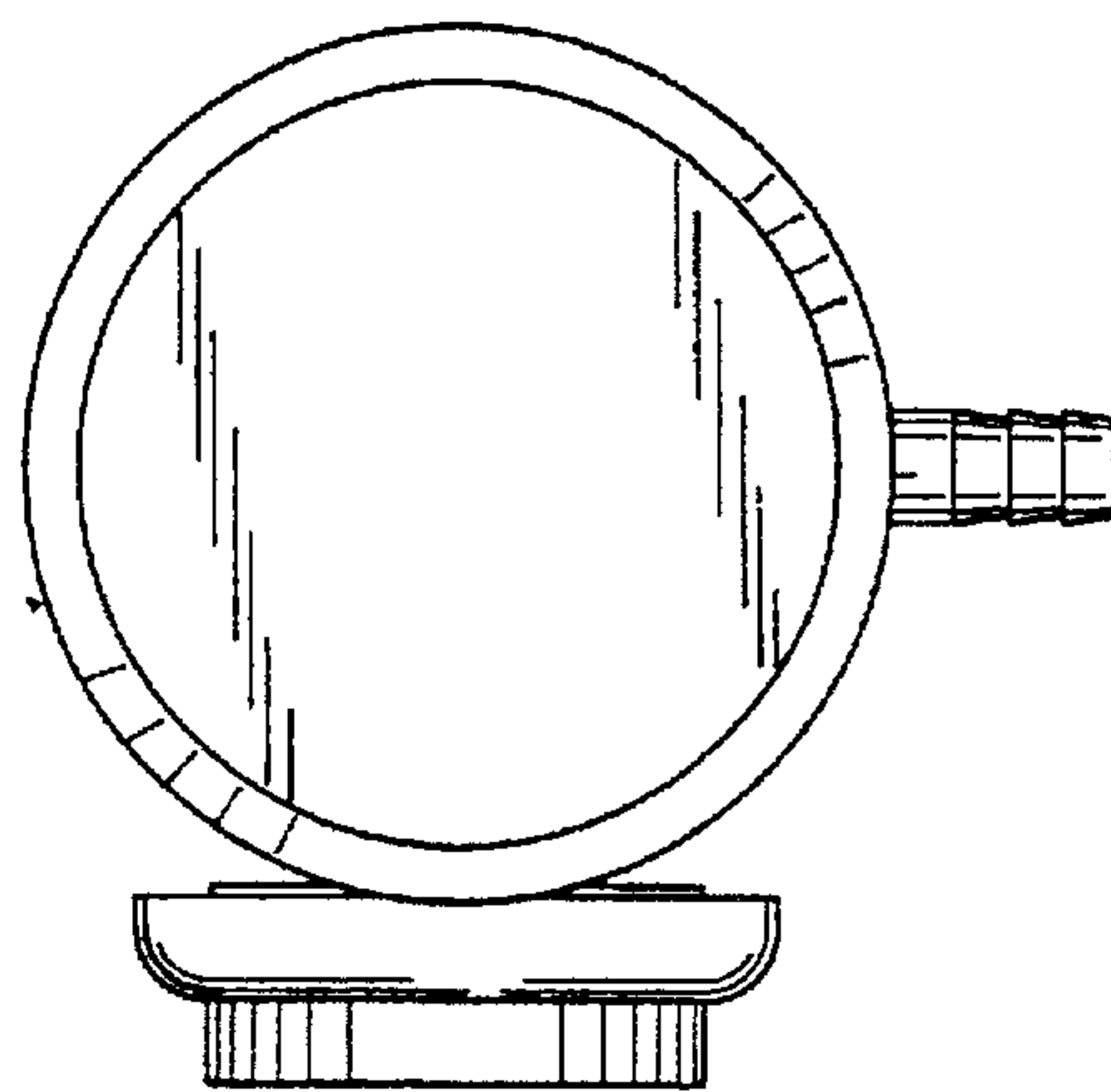


FIGURE 3

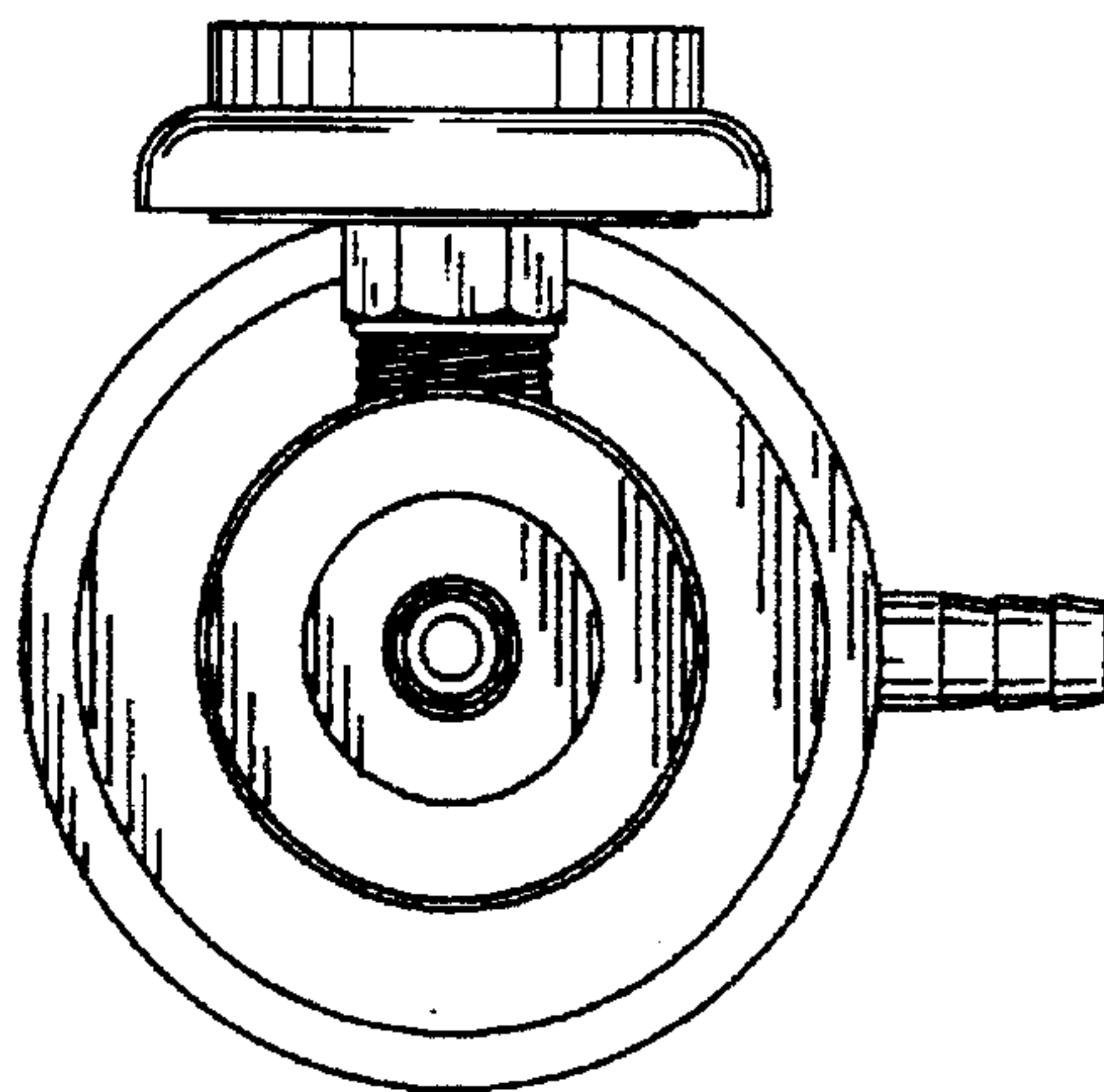


FIGURE 4

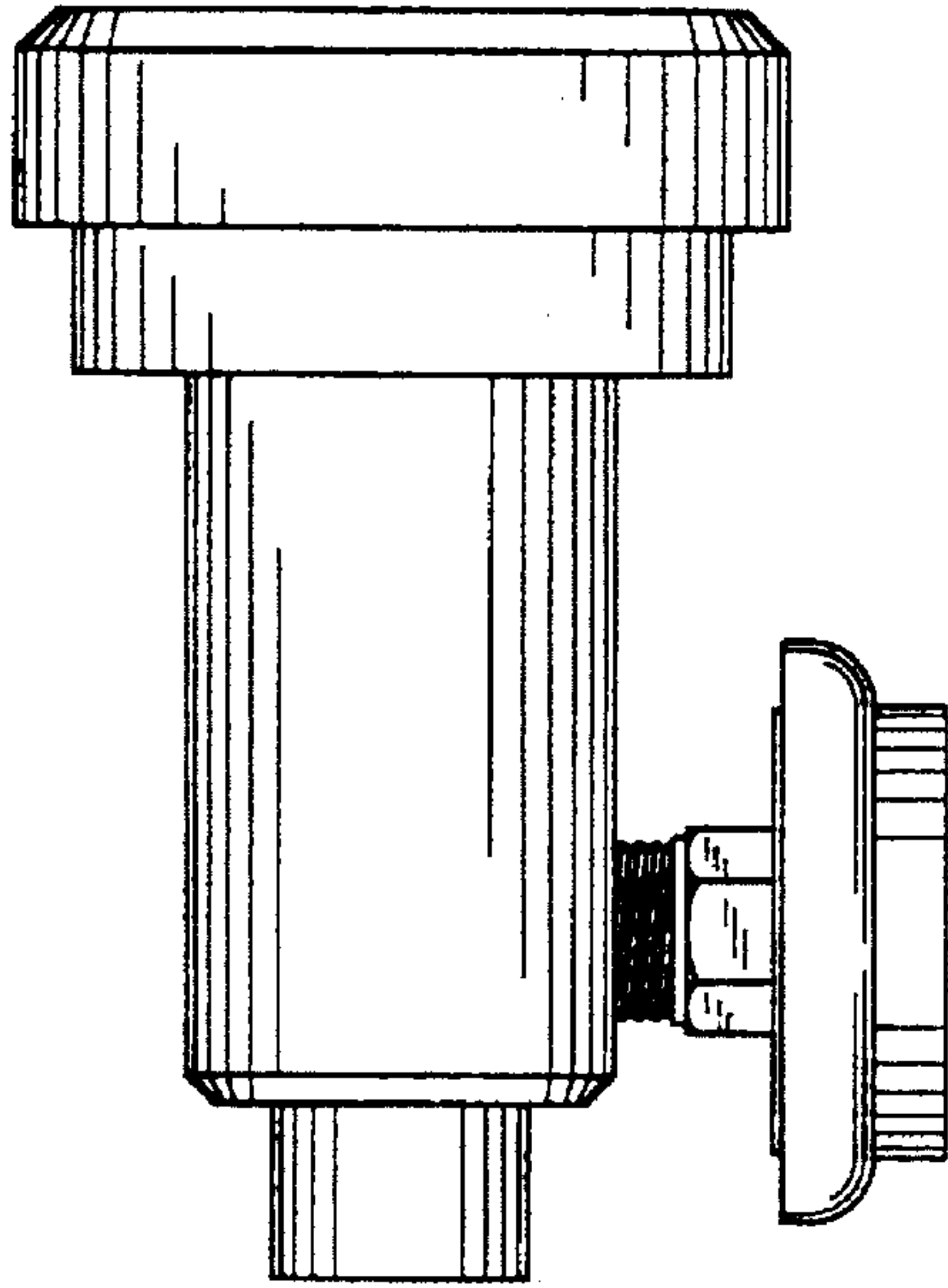


FIGURE 5

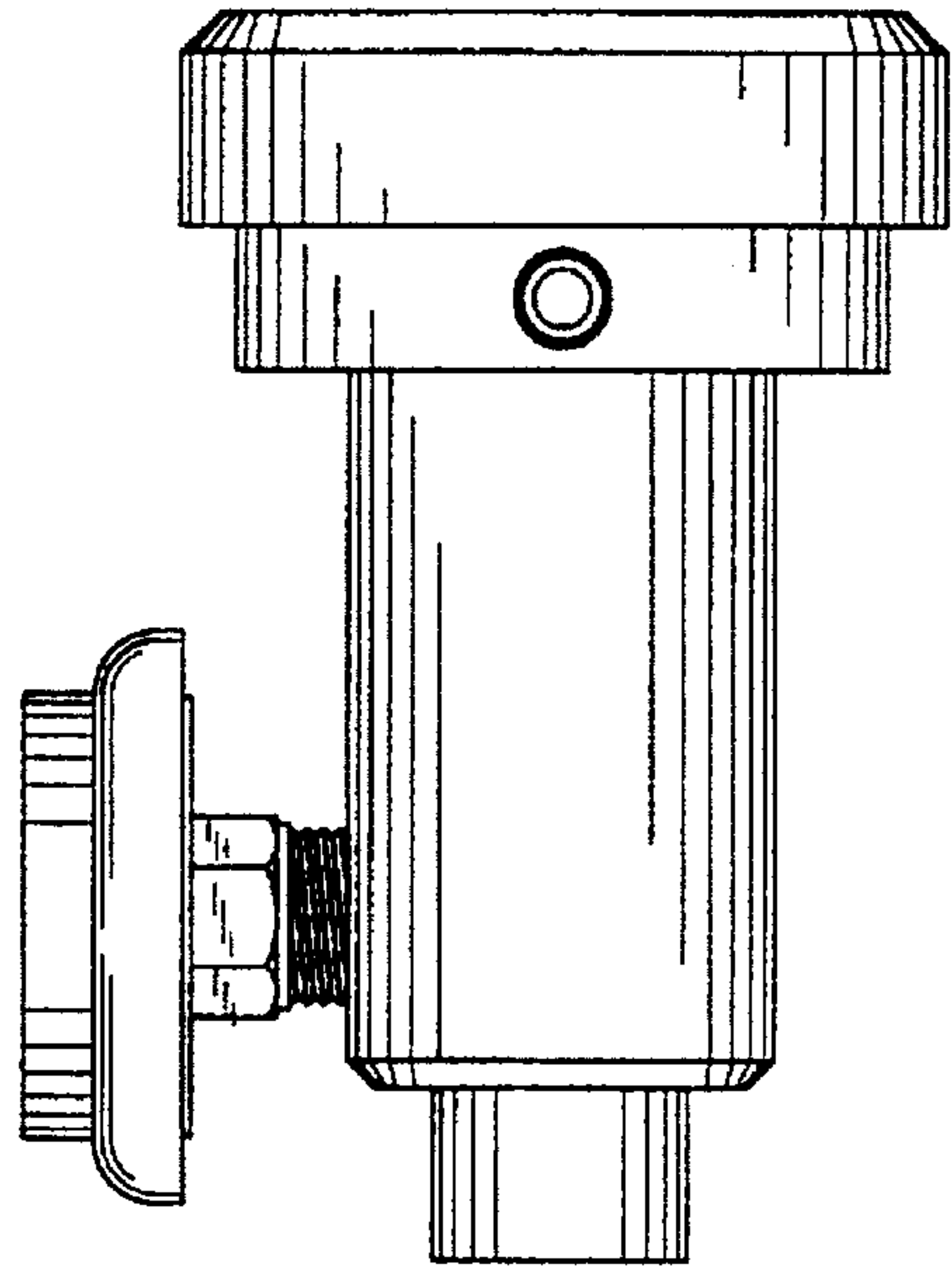


FIGURE 6

