

US00D383405S

United States Patent [19]

[11] Patent Number: **Des. 383,405**

Horn et al.

[45] Date of Patent: ****Sep. 9, 1997**

[54] **COMPACT LOW PROFILE COMMUNICATION ANALYZER FOR RECEIVING INSERTABLE SMART MODULES**

[75] Inventors: **Michael Stan Horn**, Gilbert; **Thomas James Hussey**, Mesa, both of Ariz.; **Kenneth Warren Larson**, Elmhurst, Ill.; **Robert Joseph Skalka**, Tempe, Ariz.; **Frank Allen Smith**, Mesa, Ariz.; **Kenneth Allan Johnson**, Mesa, Ariz.; **William Eric Rau**, Mesa, Ariz.

[73] Assignee: **Motorola, Inc.**, Schaumburg, Ill.

[**] Term: **14 Years**

[21] Appl. No.: **52,105**

[22] Filed: **Mar. 22, 1996**

[51] LOC (6) Cl. **10-04**

[52] U.S. Cl. **D10/76**

[58] Field of Search D10/75, 76; D13/184; 324/76.12-76.38, 121 R, 156; 364/481, 484, 485, 487, 557, 578, 580; 395/155

[56] **References Cited**

U.S. PATENT DOCUMENTS

D. 335,093	4/1993	Holmen et al.	D10/75 X
D. 343,799	2/1994	Spinks et al.	D10/75
D. 343,800	2/1994	Spinks et al.	D10/75
D. 350,544	9/1994	Sakuta et al.	D10/75 X

Primary Examiner—Antoine Duval Davis
Attorney, Agent, or Firm—Bradley J. Botsch, Sr.

[57] **CLAIM**

The ornamental design for a compact low profile communication analyzer for receiving insertable smart modules, as shown and described.

DESCRIPTION

FIG. 1 is a top, right, and front perspective view showing our new design for a compact low-profile communication analyzer for receiving insertable smart modules shown in full line; FIG. 2 is a left side elevation view thereof; FIG. 3 is a rear elevation view thereof; and, FIG. 4 is a bottom plan view.

1 Claim, 3 Drawing Sheets

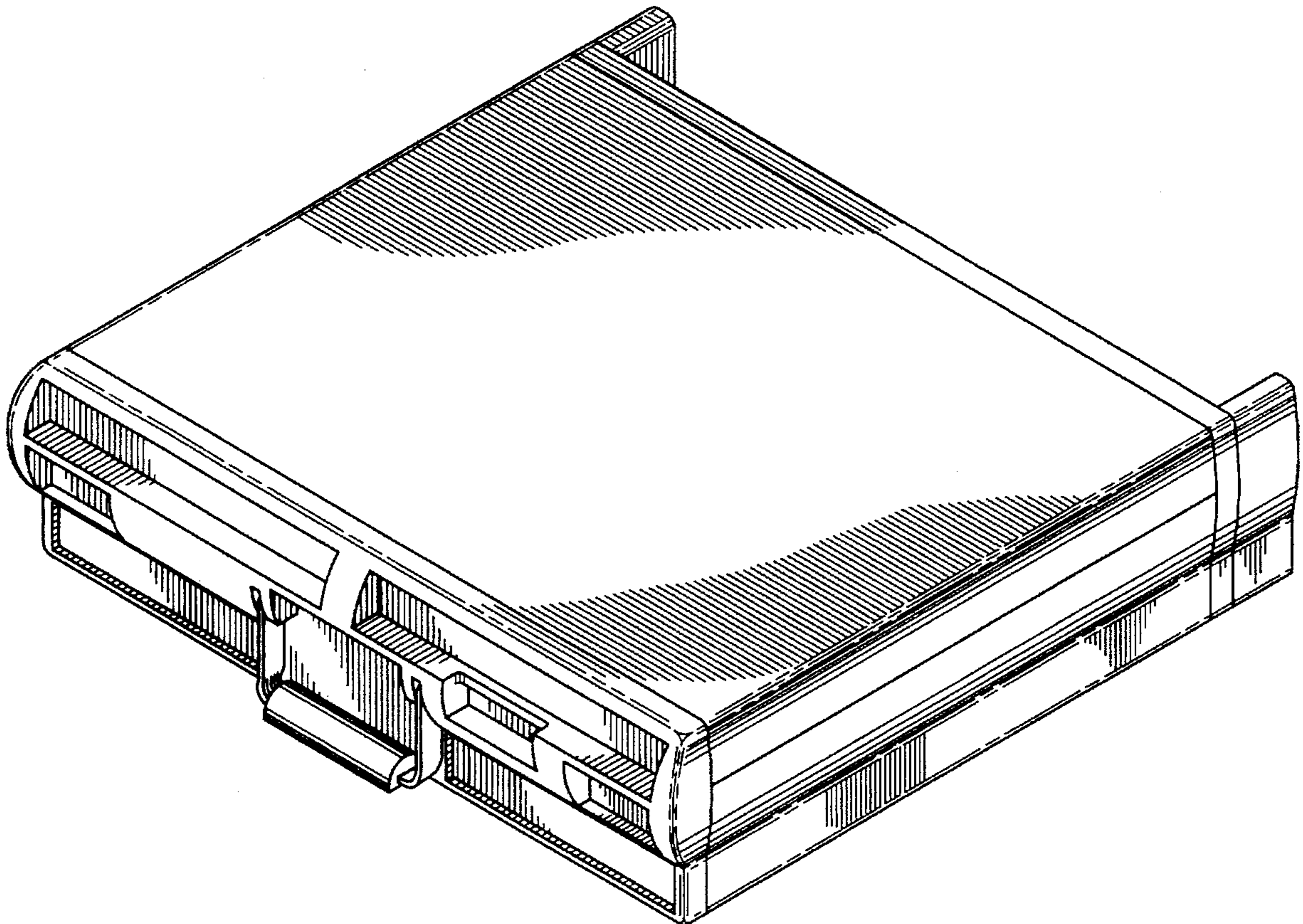
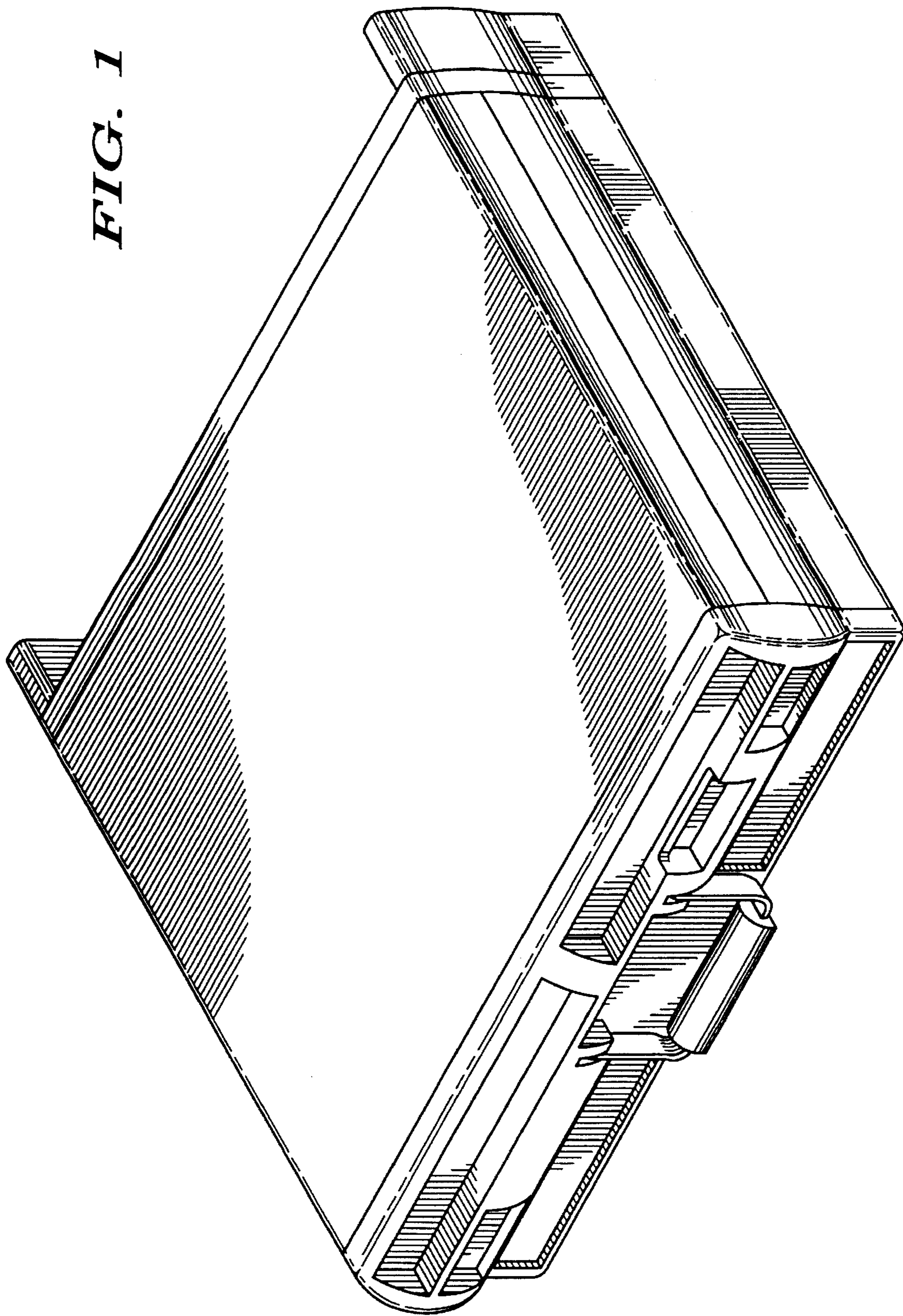


FIG. 1



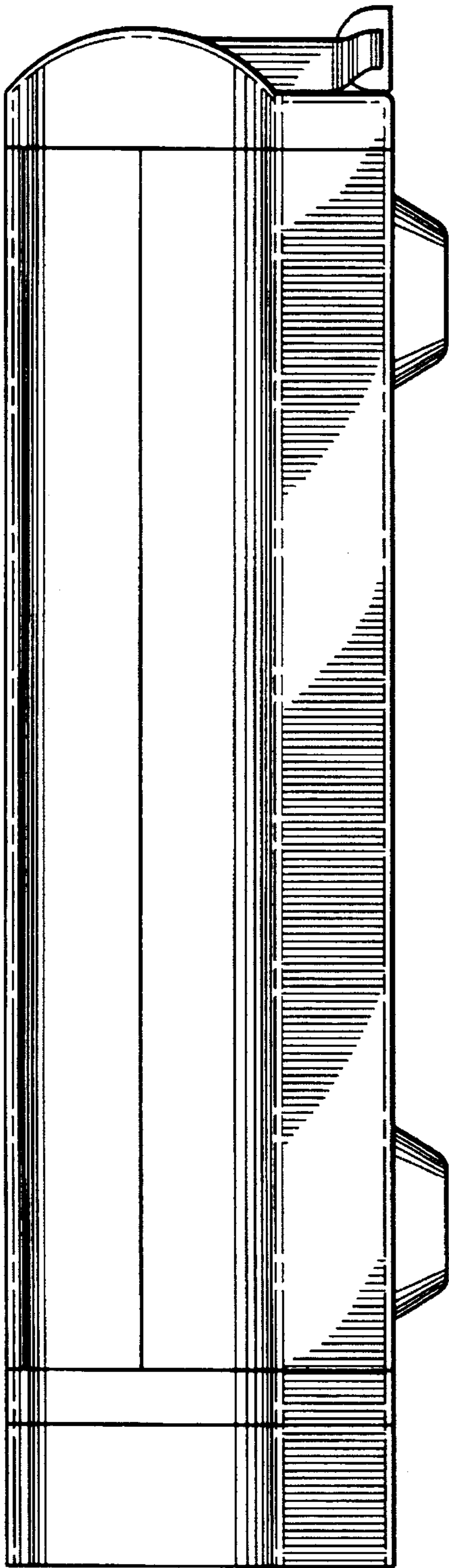
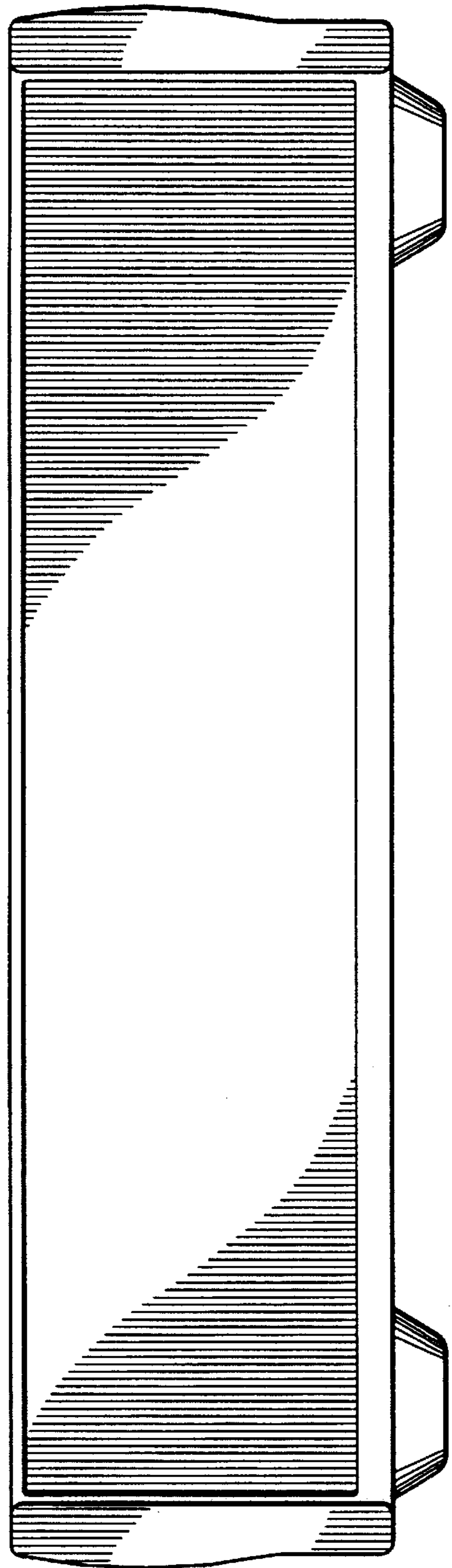


FIG. 2

FIG. 3



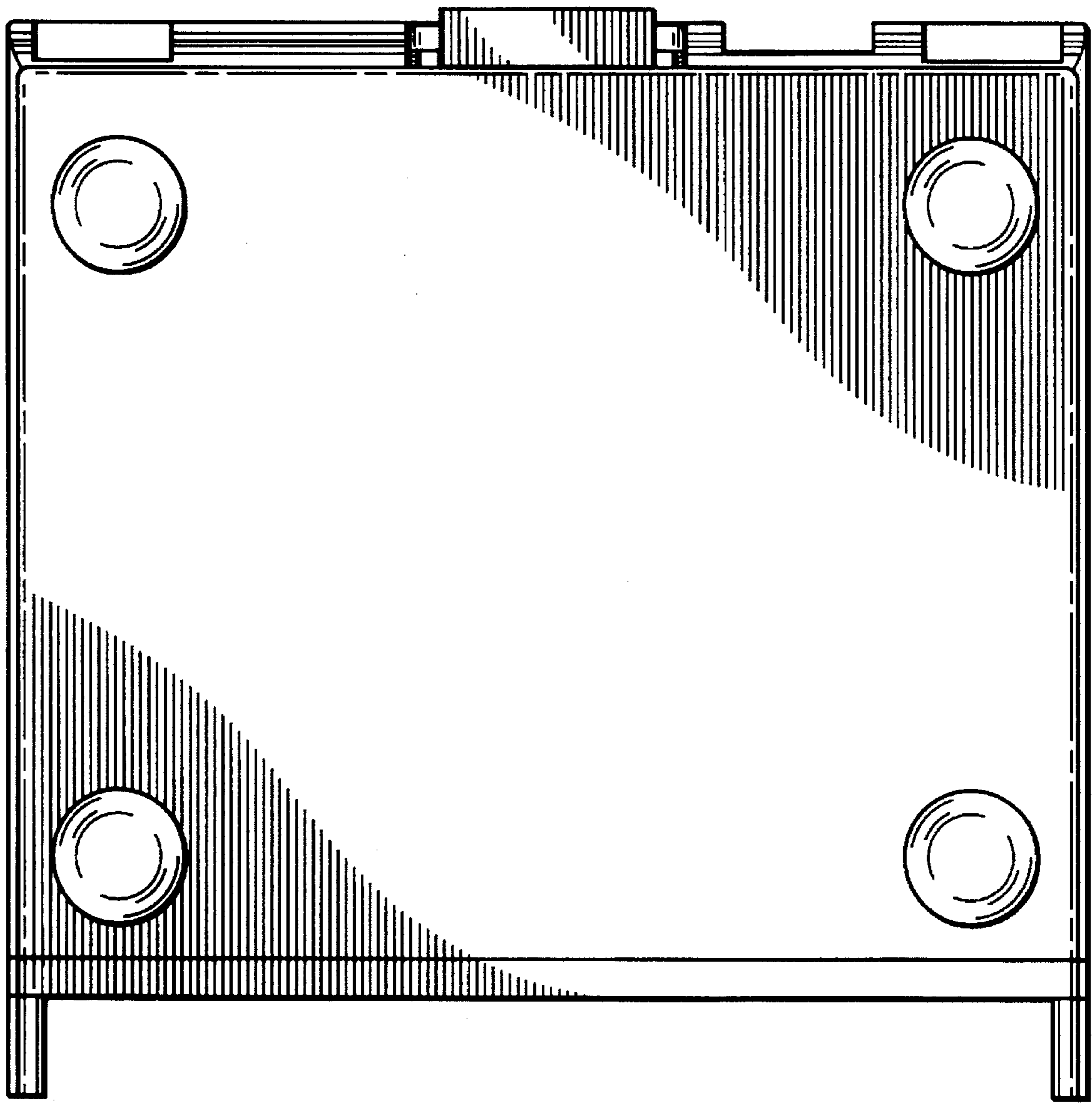


FIG. 4