



US00D383403S

United States Patent [19]

[11] Patent Number: **Des. 383,403**

Kehlbeck

[45] Date of Patent: ****Sep. 9, 1997**

[54] **HOUSING FOR ELECTRICAL MEASURING, MONITORING, REGULATING AND CONTROLLING INSTRUMENTS**

Primary Examiner—Antoine Duval Davis
Attorney, Agent, or Firm—Collard & Roe, P.C.

[75] Inventor: **Hans Kehlbeck**, Bremen, Germany

[57] **CLAIM**

[73] Assignee: **Gestra Aktiengesellschaft**, Bremen, Germany

The ornamental design for a housing for electrical measuring, monitoring, regulating and controlling instruments, as shown and described.

[**] Term: **14 Years**

DESCRIPTION

[21] Appl. No.: **51,029**

FIG. 1 is a front, top, left side perspective view of a housing for electrical measuring, monitoring, regulating and controlling instruments, showing my new design;
FIG. 2 is a rear, top, right side perspective view thereof;
FIG. 3 is a front elevational view thereof;
FIG. 4 is a left side elevational view thereof;
FIG. 5 is a top plan view thereof;
FIG. 6 is a rear elevational view thereof;
FIG. 7 is a right side elevational view thereof; and,
FIG. 8 is a bottom plan view thereof.

[22] Filed: **Feb. 22, 1996**

[30] **Foreign Application Priority Data**

Oct. 27, 1995 [WO] WIPO DM/034498

[51] LOC (6) Cl. **10-04**

[52] U.S. Cl. **D10/75**

[58] Field of Search D10/46, 49, 50,
D10/75, 76; D14/100, 106; 324/73.1, 115,
156, 157

The broken line showing of the electrical conduits in FIGS. 3, 6 and 8 is included for the purpose of illustrating environmental structure only, and forms no part of the claimed design.

[56] **References Cited**

U.S. PATENT DOCUMENTS

D. 213,962 4/1969 Potruch D10/75

1 Claim, 3 Drawing Sheets

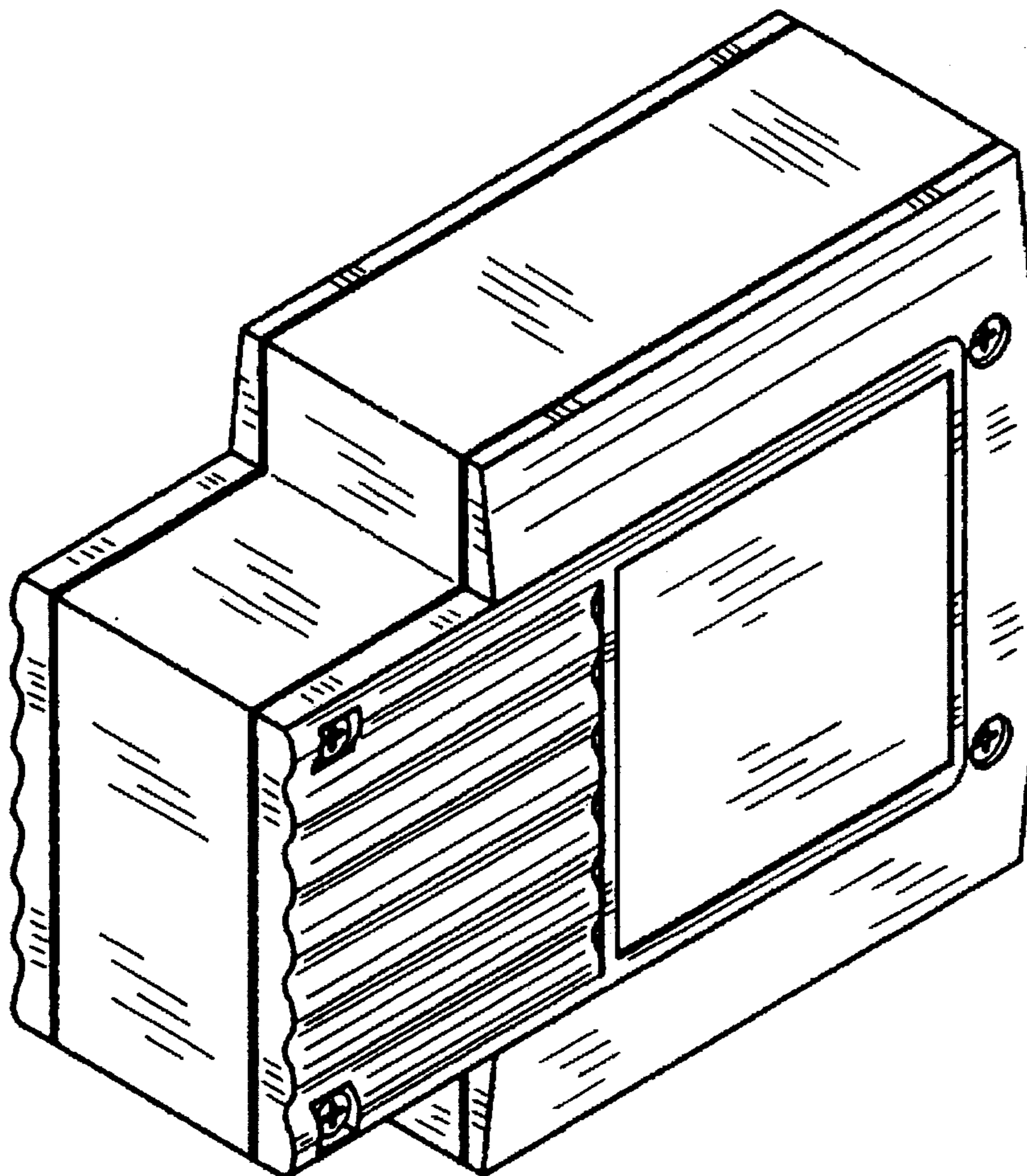


Fig. 1

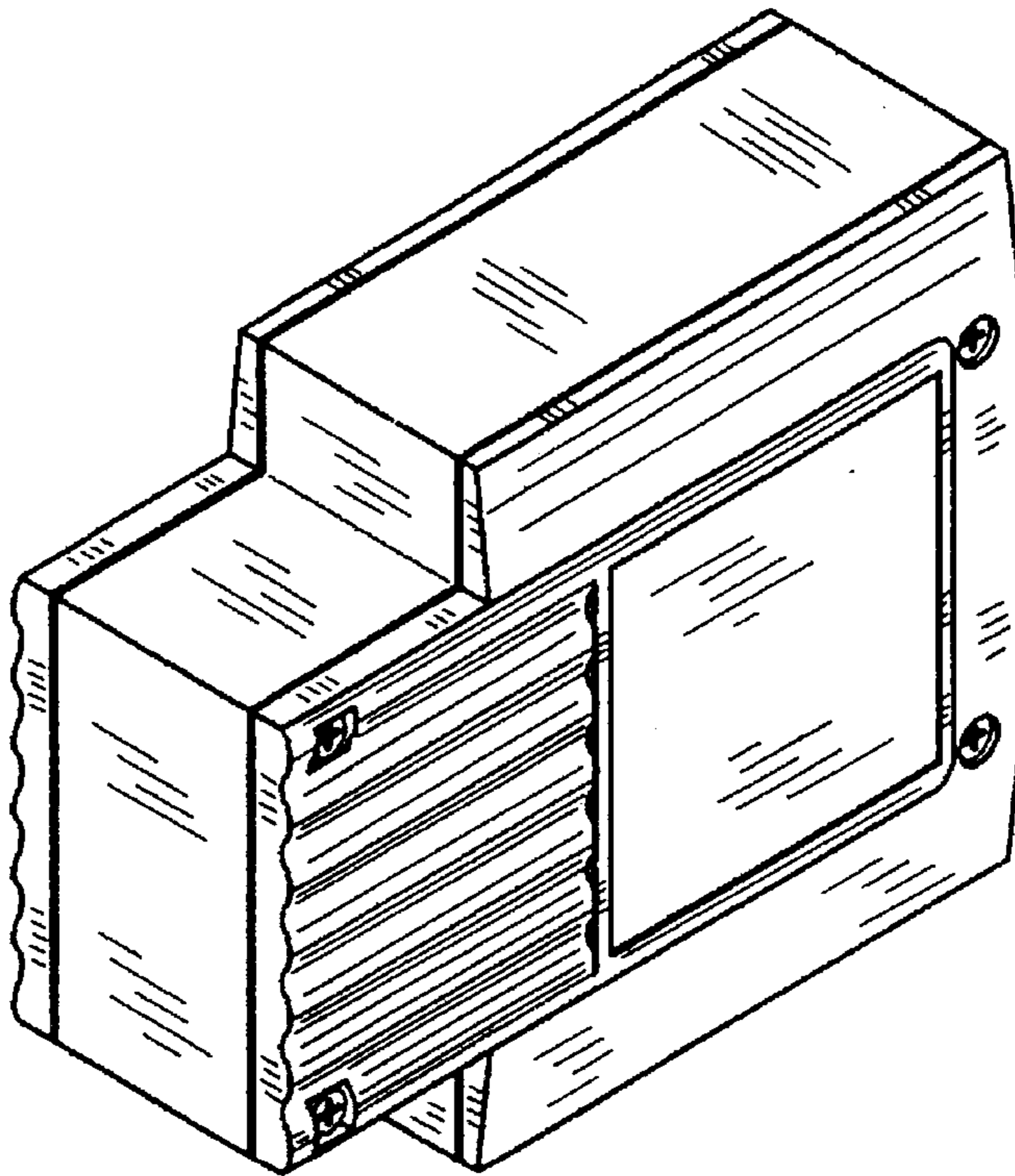
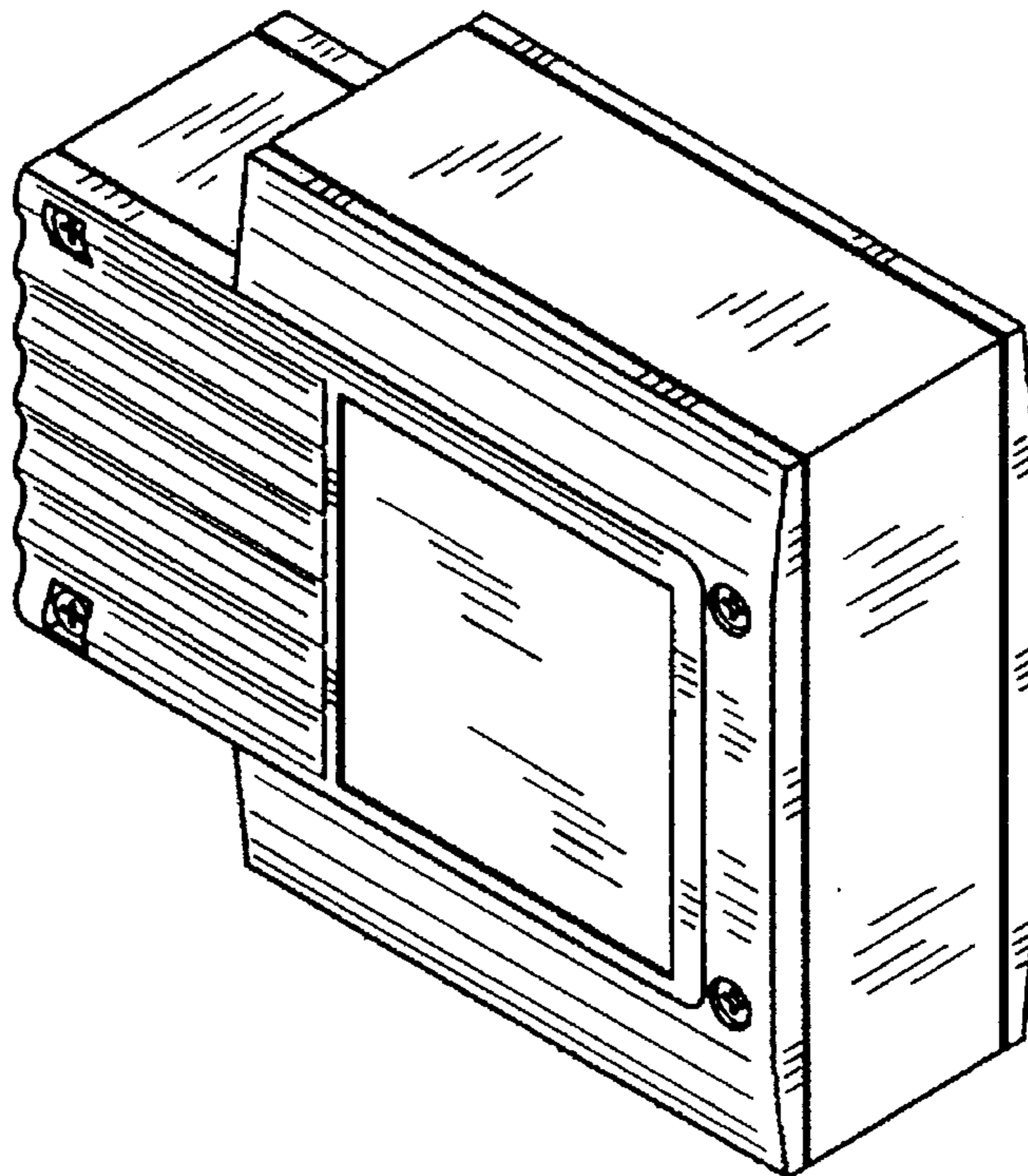


Fig. 2



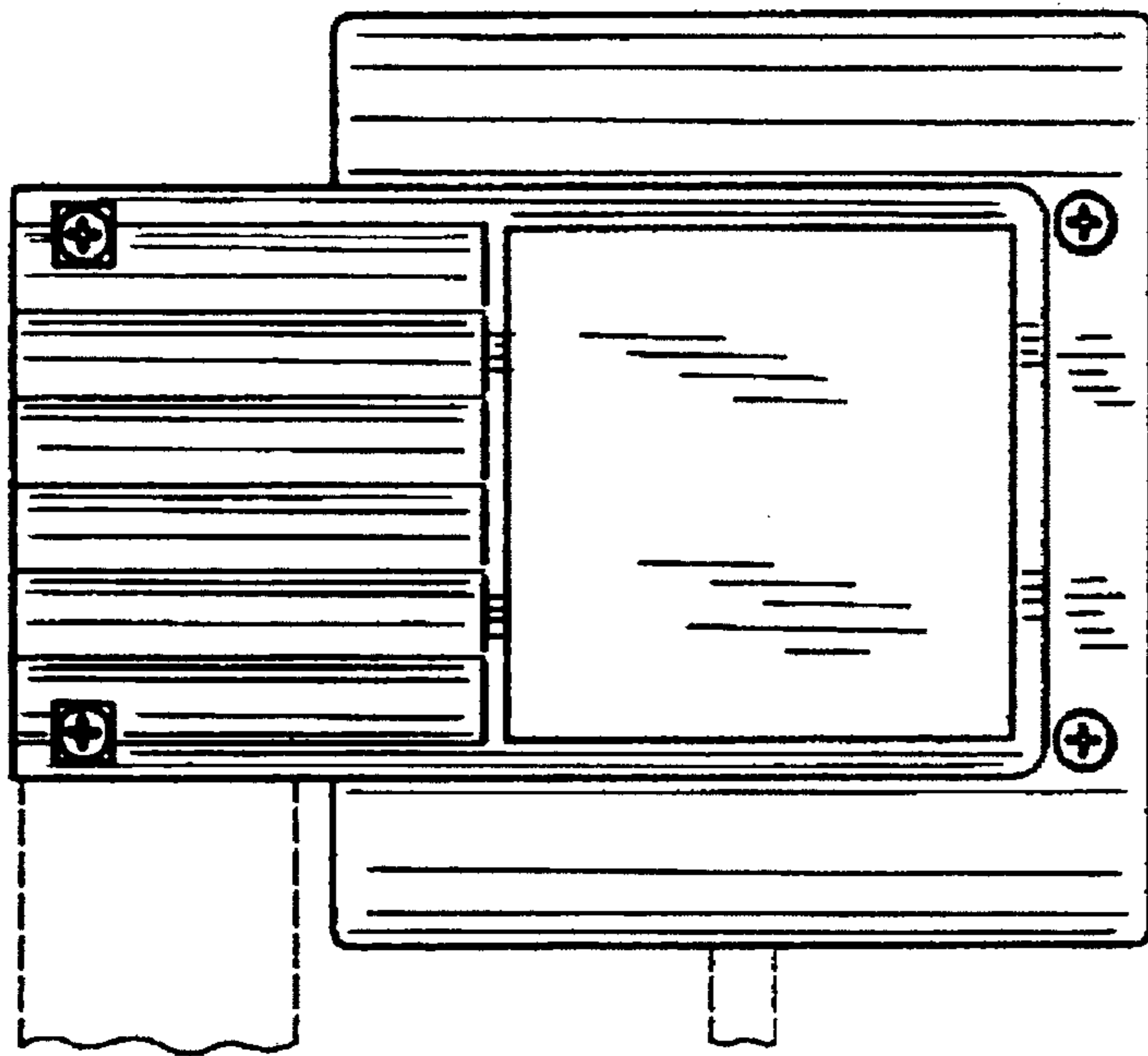


Fig. 3

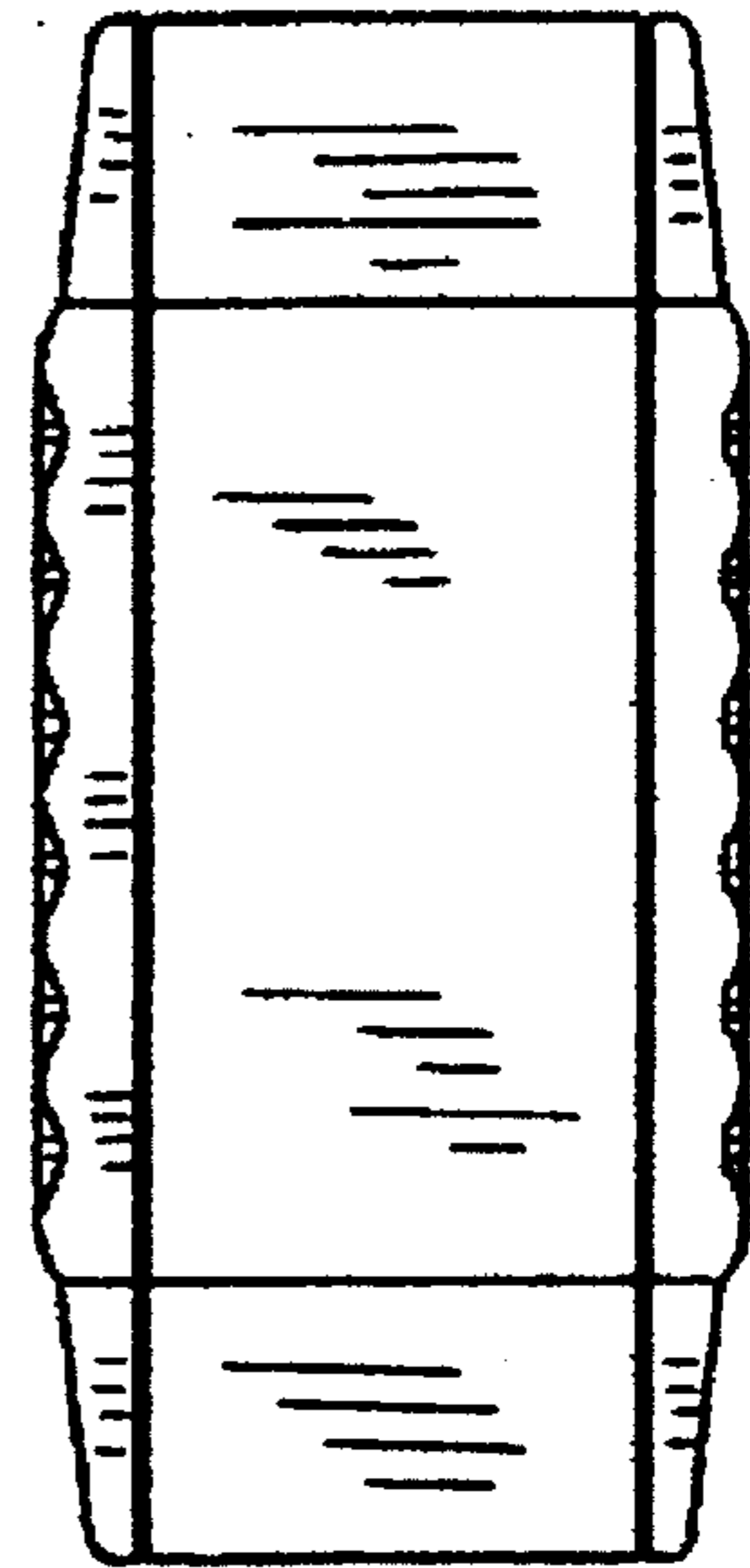


Fig. 4

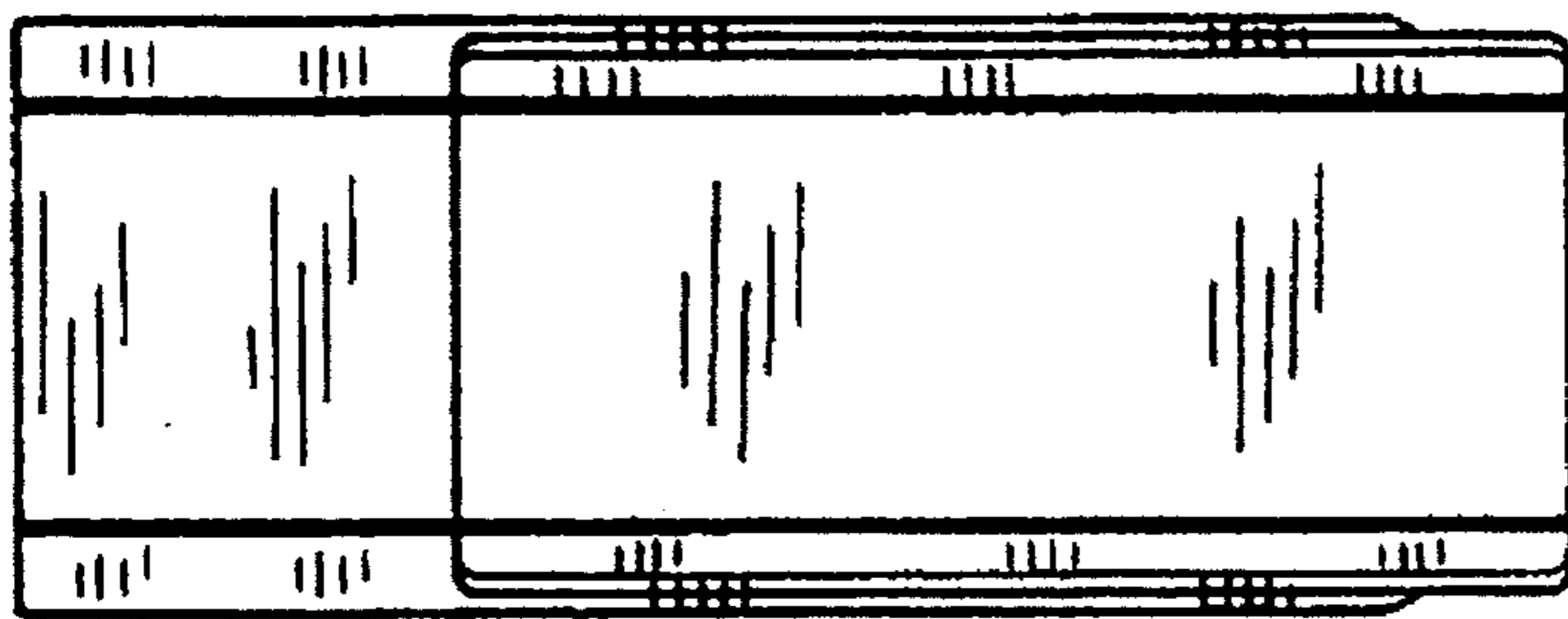


Fig. 5

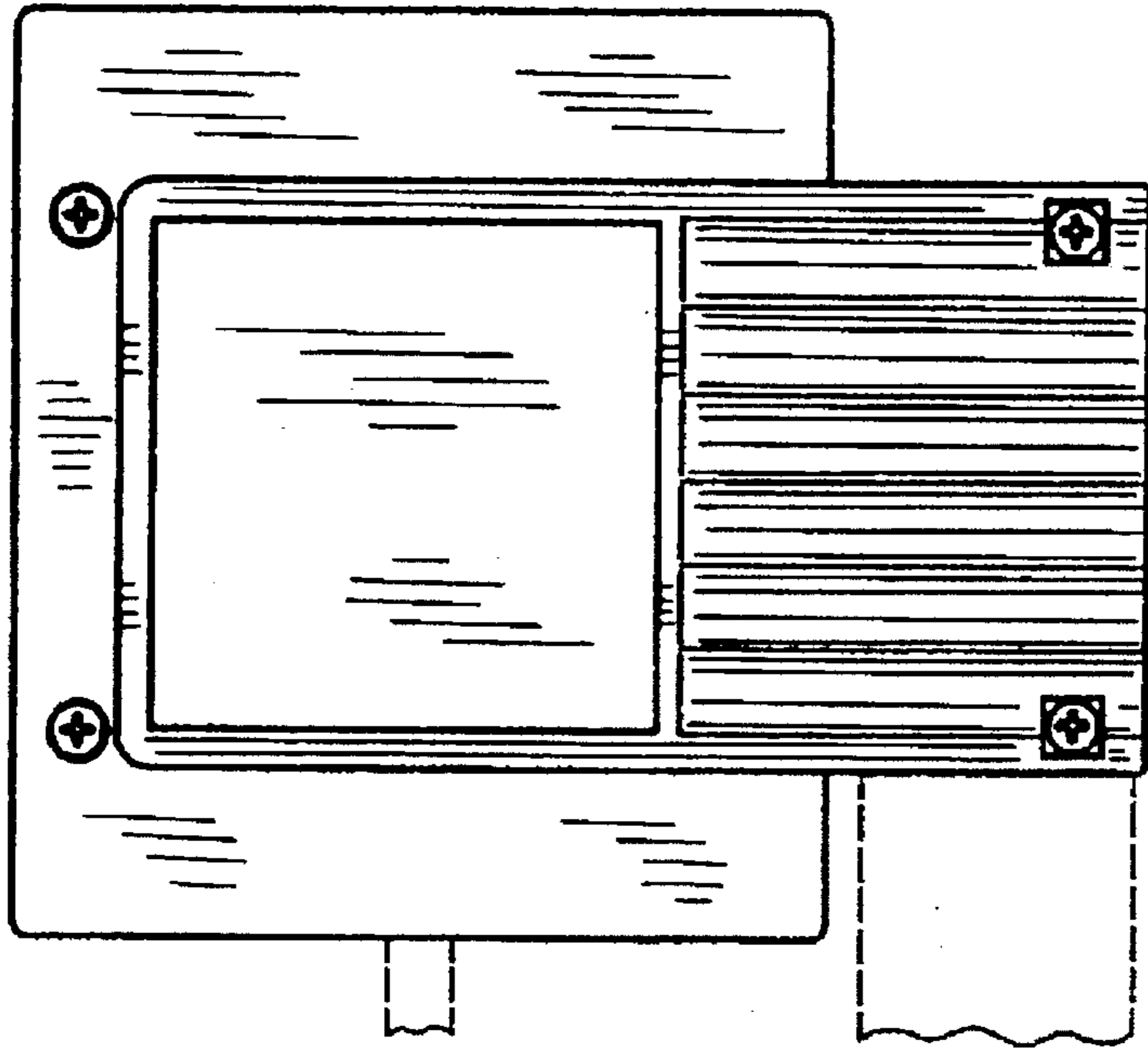


Fig. 6

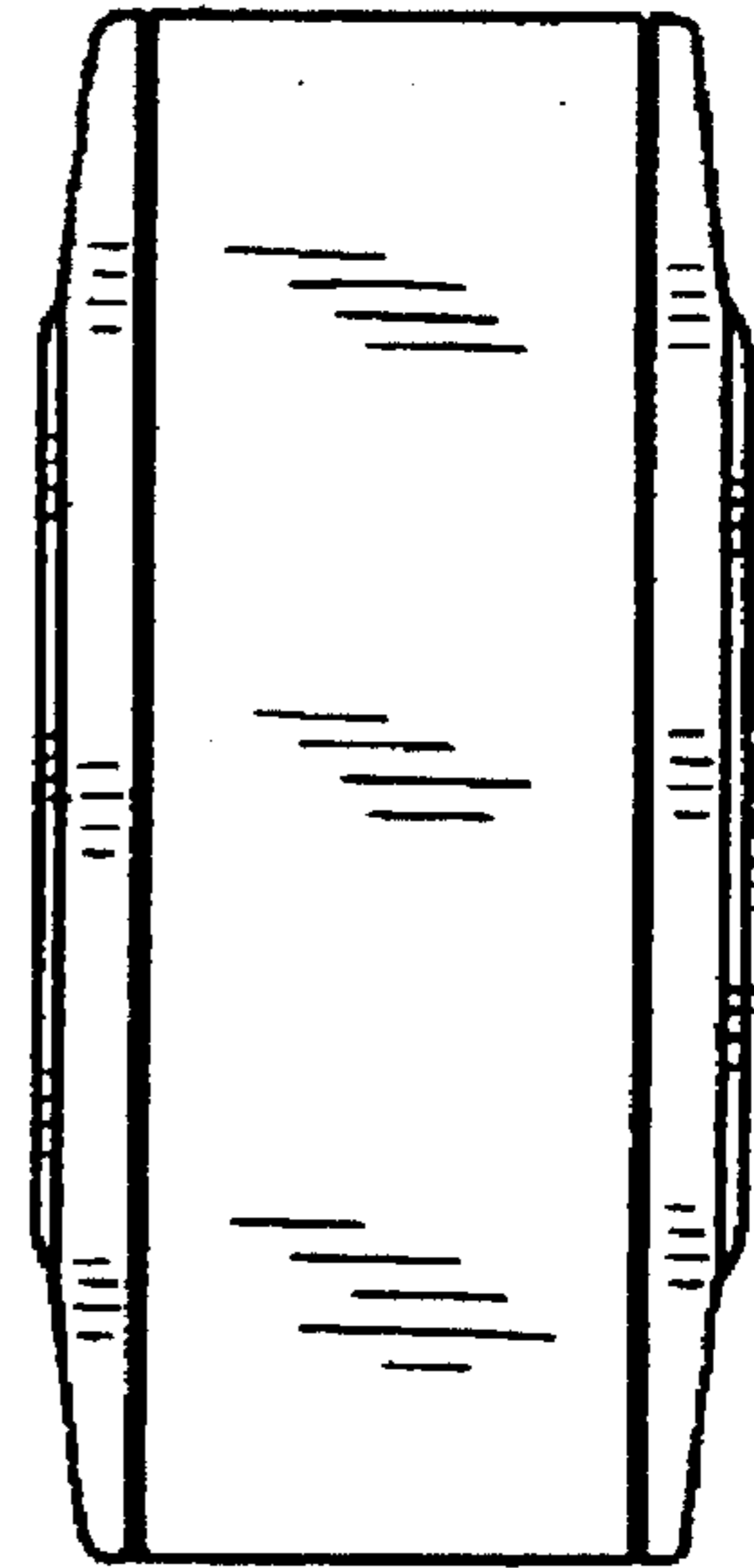


Fig. 7

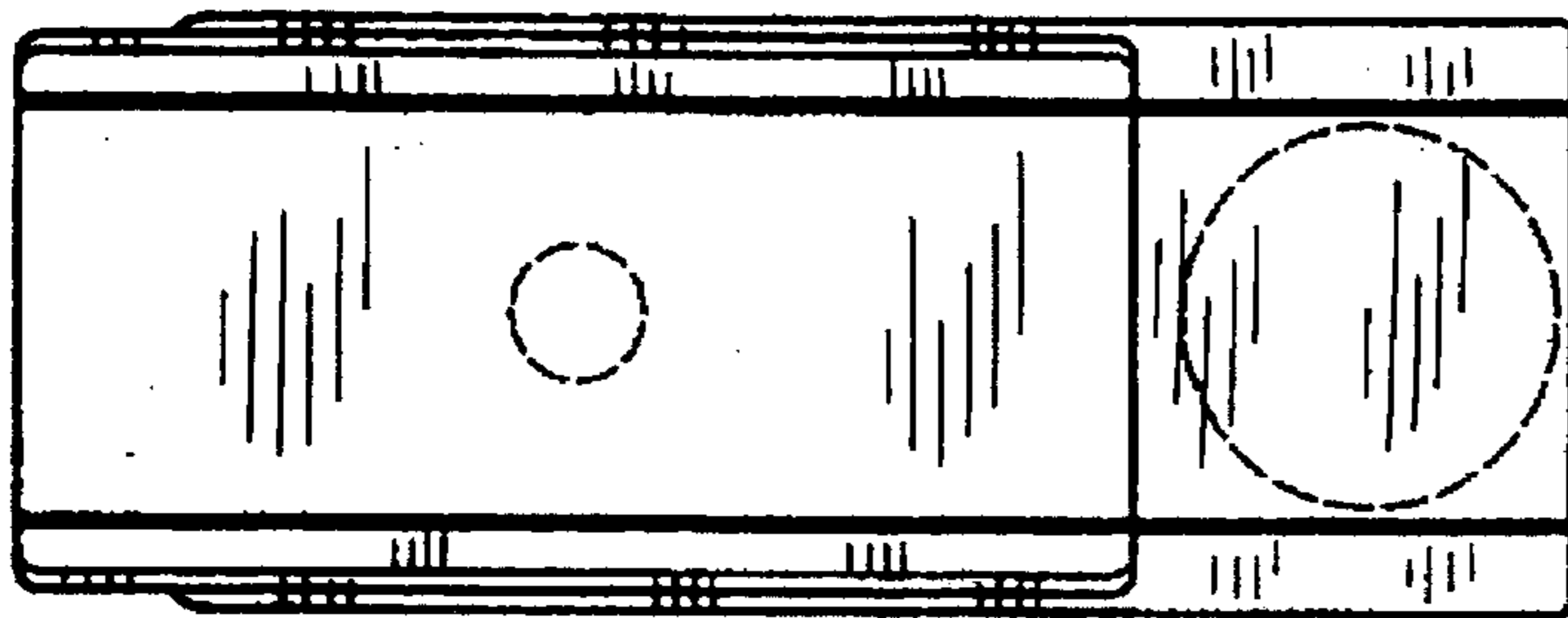


Fig. 8