



US00D383386S

United States Patent [19] Loubach

[11] Patent Number: Des. 383,386
[45] Date of Patent: **Sep. 9, 1997

[54] PACKAGE

[75] Inventor: David Scott Loubach, New York, N.Y.

[73] Assignee: Lever Brothers Company, Division of Conopco, Inc., New York, N.Y.

[**] Term: 14 Years

[21] Appl. No.: 48,410

[22] Filed: Dec. 28, 1995

[51] LOC (6) Cl. 09-07

[52] U.S. Cl. D9/415; D9/425

[58] Field of Search D9/415, 418, 337, D9/430, 341; 206/461-471, 806, 541, 335, 45.31, 45.34, 44 R; 229/406; 220/339, 337

[56] References Cited

U.S. PATENT DOCUMENTS

- D. 190,394 5/1961 Robinson .
- D. 256,727 9/1980 Borg et al. D9/415 X
- D. 267,394 12/1982 Liptak et al. .
- D. 272,128 1/1984 Parmentier .
- D. 275,835 10/1984 Borst .
- D. 283,489 4/1986 Stevens .
- D. 318,013 7/1991 Elliot .
- D. 322,757 12/1991 Payne .
- D. 327,844 7/1992 Wimbish et al. D9/415
- D. 329,600 9/1992 La Joie D9/415 X
- D. 348,392 7/1994 Tannen D9/415
- 4,020,694 5/1977 Mayhew .
- 4,199,058 4/1980 Lense et al. .

- 4,512,474 4/1985 Harding .
- 4,687,129 8/1987 Cugley .
- 4,697,700 10/1987 Weissman .
- 4,754,874 7/1988 Haney .
- 4,848,541 7/1989 Paliotta 206/461 X
- 5,012,971 5/1991 Cozzi et al. 229/406 X
- 5,220,999 6/1993 Goulette 206/806 X
- 5,292,003 3/1994 Baghdassarian .

FOREIGN PATENT DOCUMENTS

95/00116 1/1995 WIPO .

OTHER PUBLICATIONS

- Modern Packaging. 1941, p. 300.
- Techform Inc, Nov. 1982.
- Kodar® PETG Copolyester advertisement (Date unknown).
- Primary Examiner—Prabhakar G. Deshmukh
- Attorney, Agent, or Firm—Gerard J. McGowan, Jr.

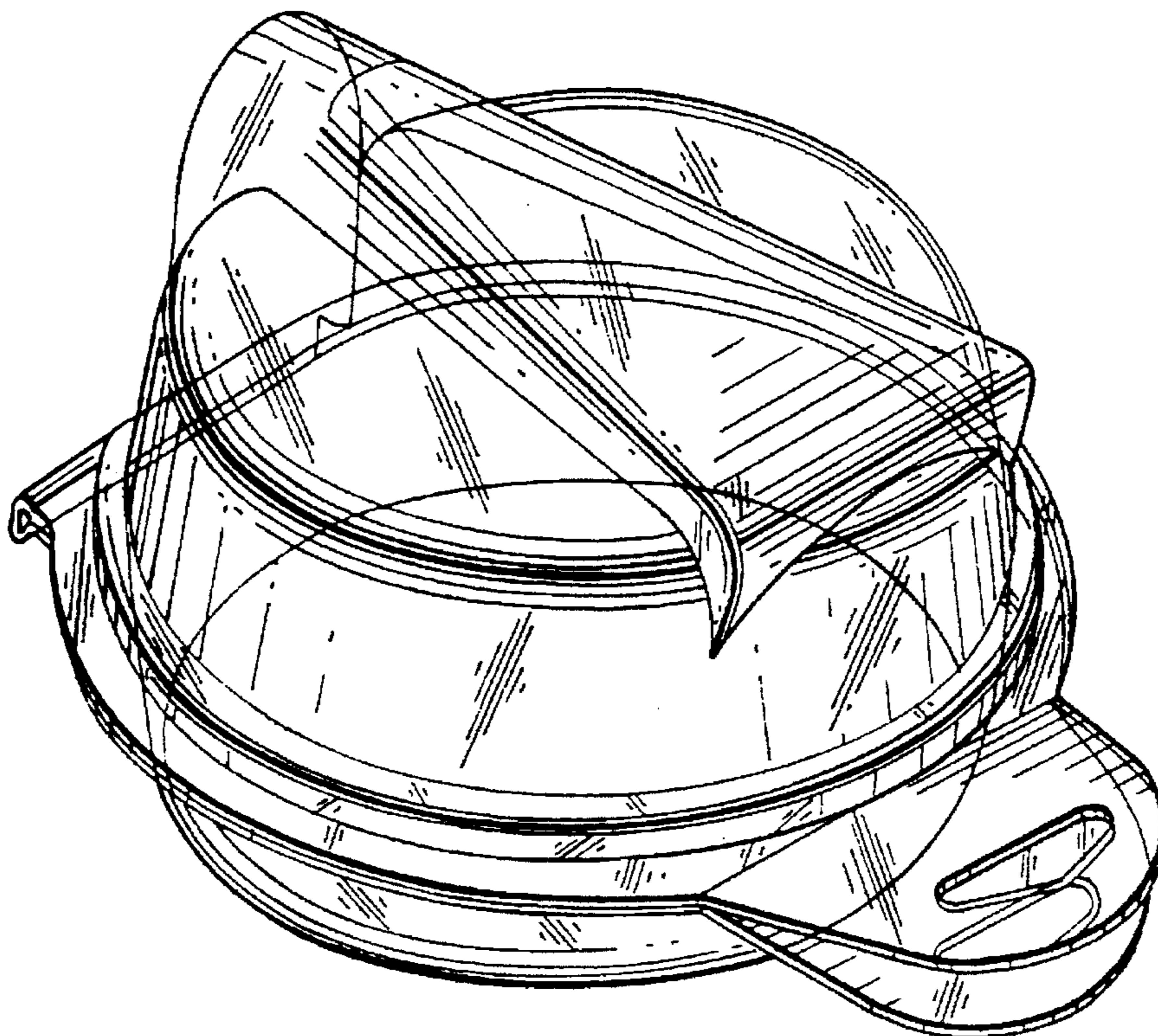
[57] CLAIM

The ornamental design for a package, as shown and described.

DESCRIPTION

FIG. 1 is a perspective view of a package showing our new design;
 FIG. 2 is a top plan view;
 FIG. 3 is a front elevational view thereof;
 FIG. 4 is a side elevational view of our package;
 FIG. 5 is a rear elevational view thereof; and,
 FIG. 6 is a bottom plan view.

1 Claim, 3 Drawing Sheets



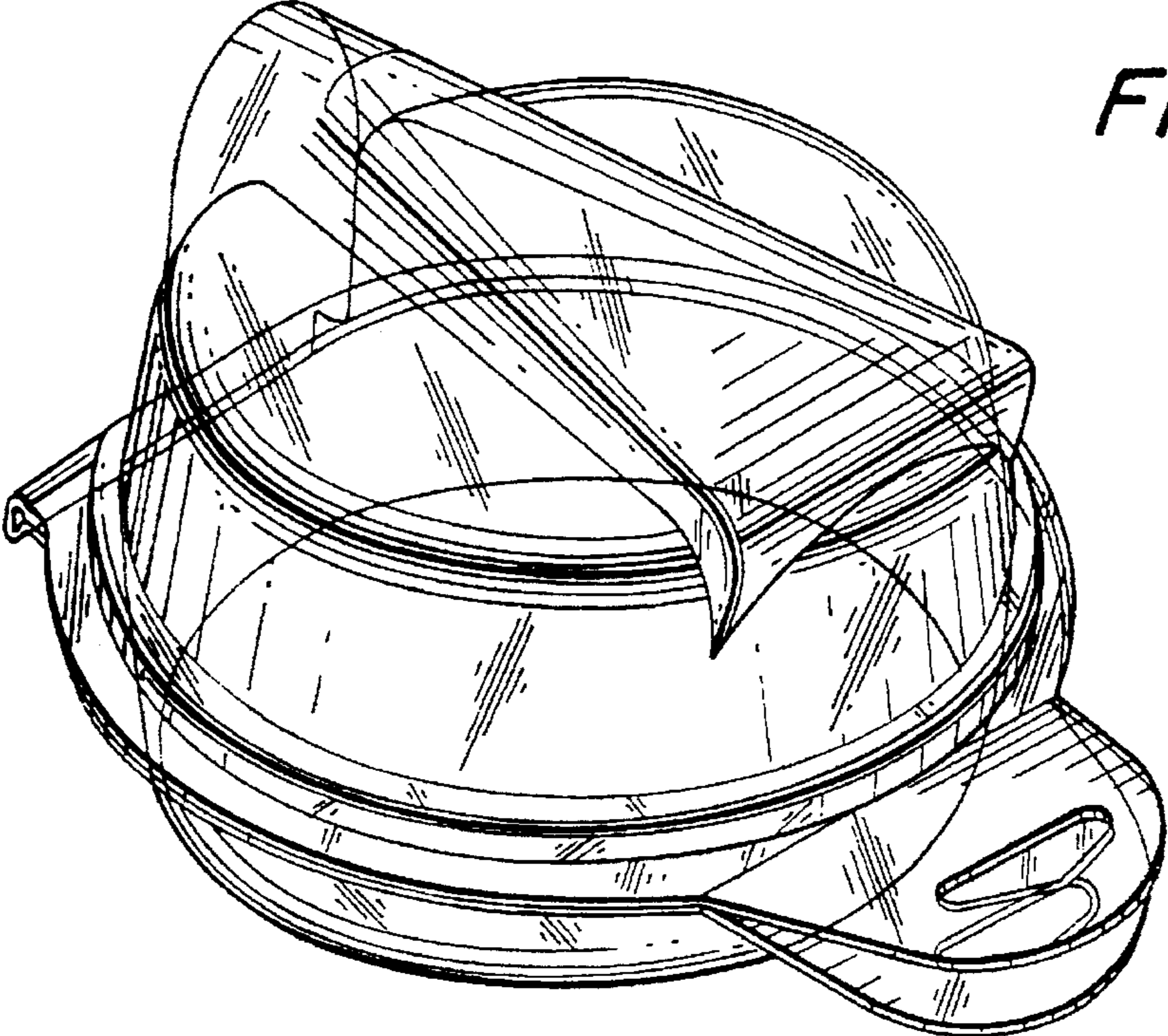


FIG. 1

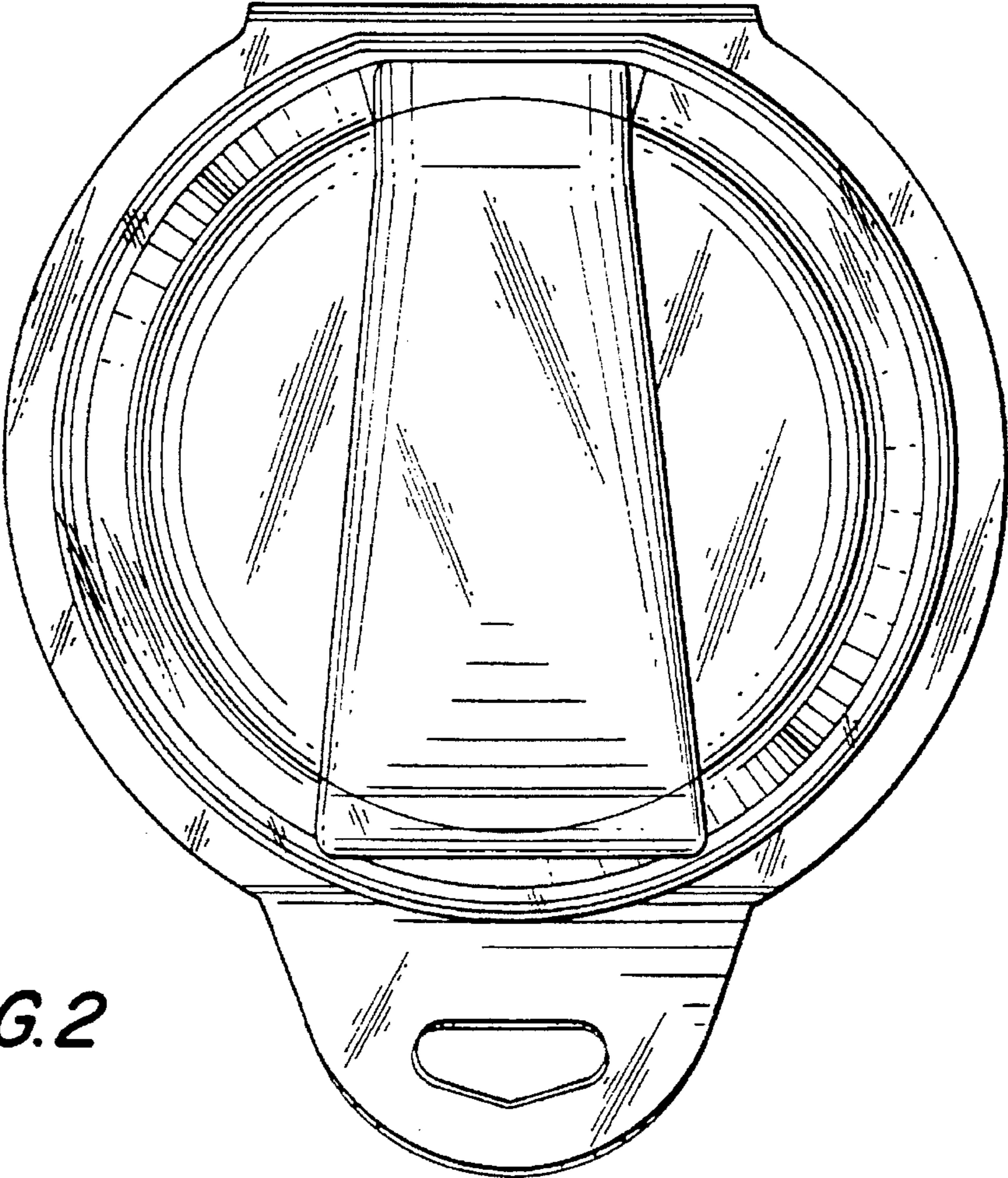


FIG. 2

FIG. 3

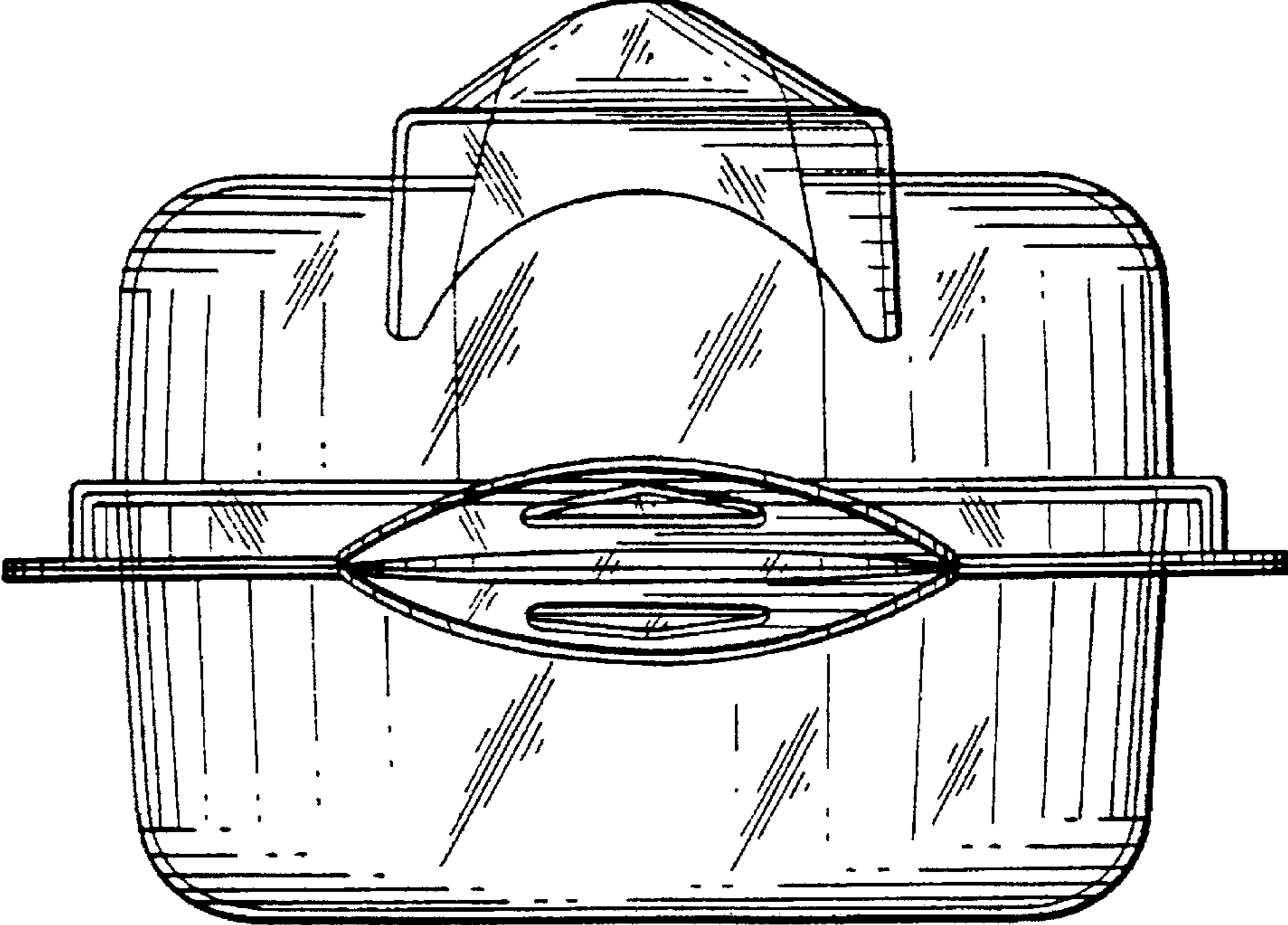


FIG. 4

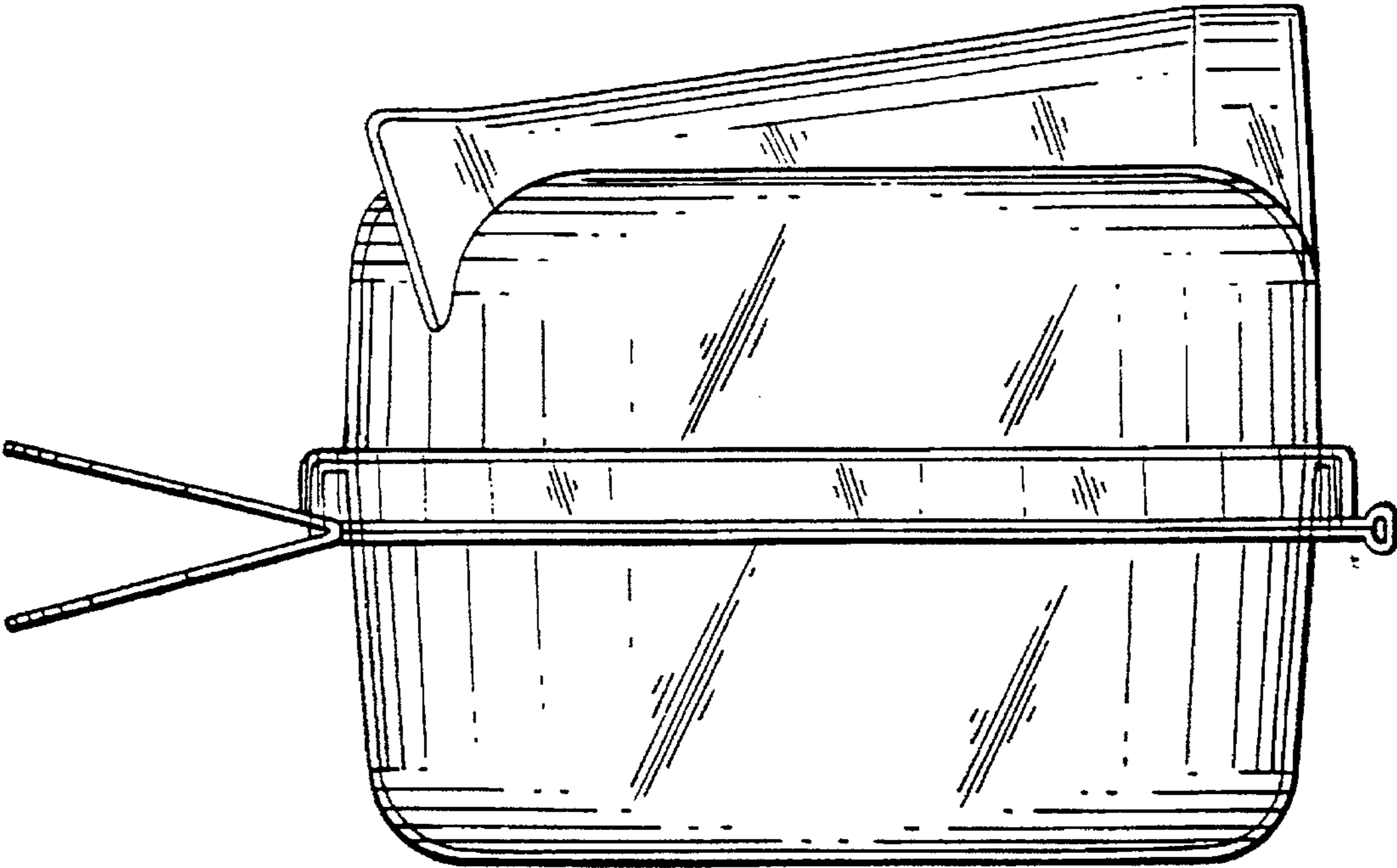


FIG. 5

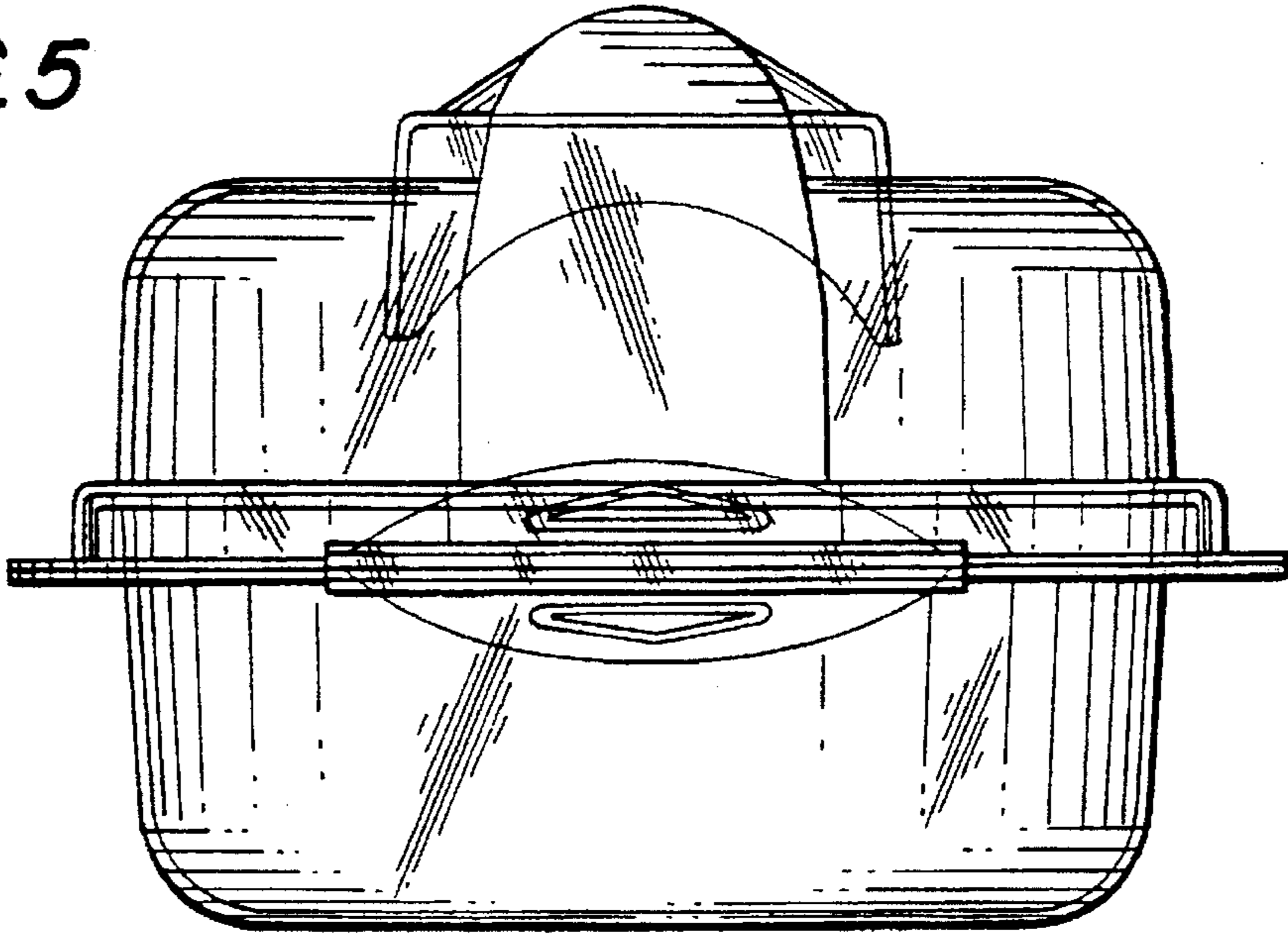


FIG. 6

