



US00D383385S

**United States Patent** [19]

[11] **Patent Number:** **Des. 383,385**

**Hayduk et al.**

[45] **Date of Patent:** **\*\*Sep. 9, 1997**

[54] **COMBINED PACKAGE AND DICE GAME**

5,050,888 9/1991 Schultz et al. .... 273/146 X  
5,176,381 1/1993 Winters ..... 273/146

[76] Inventors: **Scott Hayduk; Tom Parry**, both of  
Apt. 3, 24 Granville Ave., Danbury,  
Conn. 06810

*Primary Examiner*—Ted Shooman  
*Assistant Examiner*—Mitchell I. Siegel  
*Attorney, Agent, or Firm*—Harold H. Dutton, Jr.; W. Charles  
L. Jamison; Diane F. Liebman

[\*\*] Term: **14 Years**

[57] **CLAIM**

[21] Appl. No.: **35,872**

The ornamental design for a combined package and dice  
game, as shown and described.

[22] Filed: **Mar. 8, 1995**

[51] LOC (6) Cl. .... **09-07**

**DESCRIPTION**

[52] U.S. Cl. .... **D9/415; D21/41; D9/337**

[58] **Field of Search** .... D21/37-41; D9/415,  
D9/341, 337; 273/145 A, 145 B, 146; 206/461,  
463

FIG. 1 is a perspective view of a combined package and dice  
game showing our new design;

FIG. 2 is a perspective view of the dice cup for clarity of  
illustration;

FIG. 3 is a top plan view of FIG. 2;

FIG. 4 is a bottom plan view of FIG. 2;

FIG. 5 is a front perspective view of a die; and,

FIG. 6 is an inverted rear perspective view of FIG. 5;

FIG. 7 is a front perspective view of another die; and,

FIG. 8 is an inverted rear perspective view of FIG. 7.

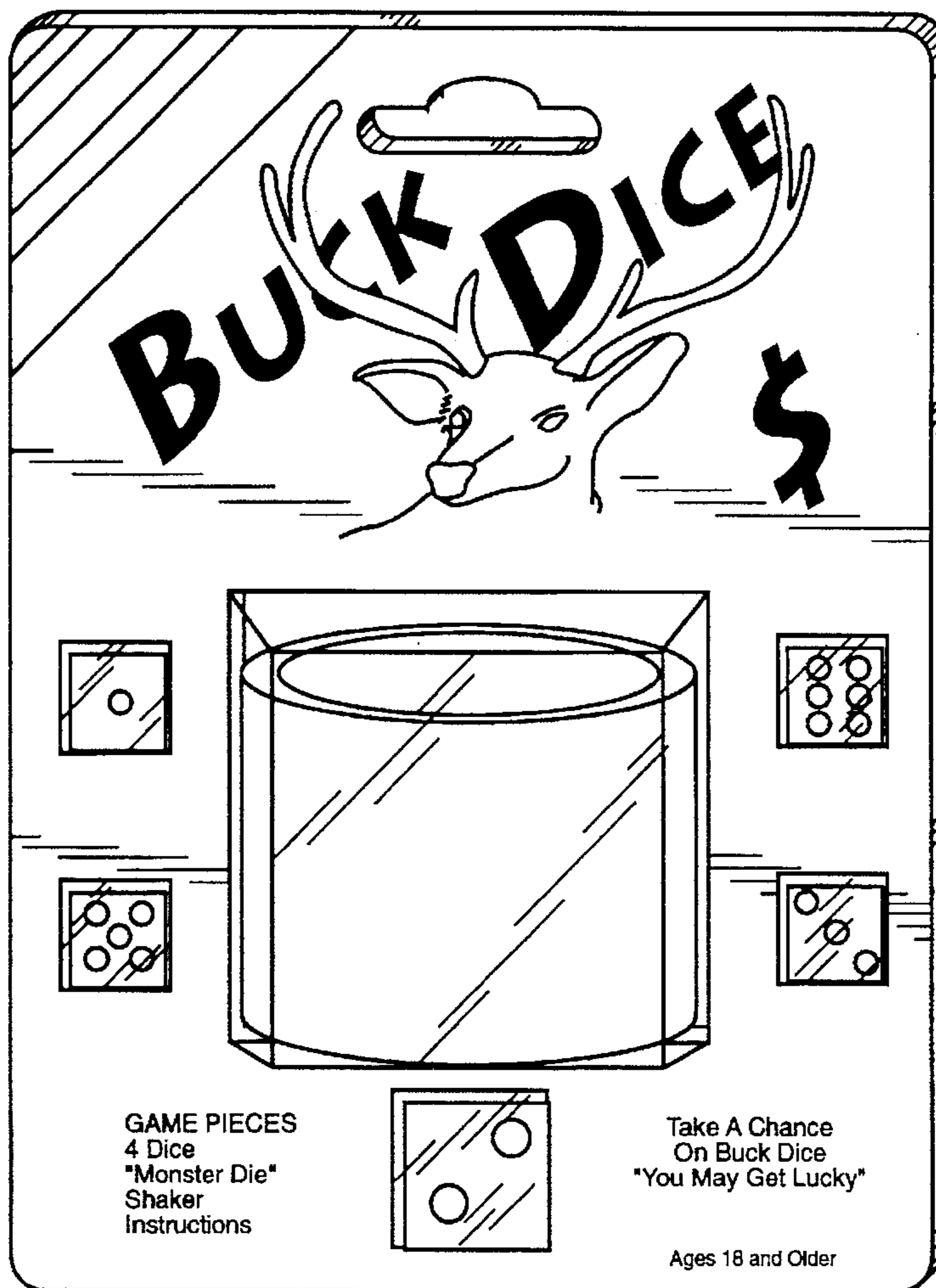
The undisclosed other 3 dice are similar in appearance to  
that disclosed.

[56] **References Cited**

**U.S. PATENT DOCUMENTS**

D. 315,871	4/1991	Whitebread	.....	D9/415
D. 320,817	10/1991	Darchiville	.....	D21/41
D. 331,266	11/1992	Jaynes	.....	D21/41
D. 344,019	2/1994	Pratt	.....	D9/415
1,706,465	3/1929	Rosenblatt	.....	273/145 A
3,684,291	8/1972	Johmann	.....	273/145 A X
4,421,315	12/1983	Cutler	.....	273/146 X

**1 Claim, 4 Drawing Sheets**



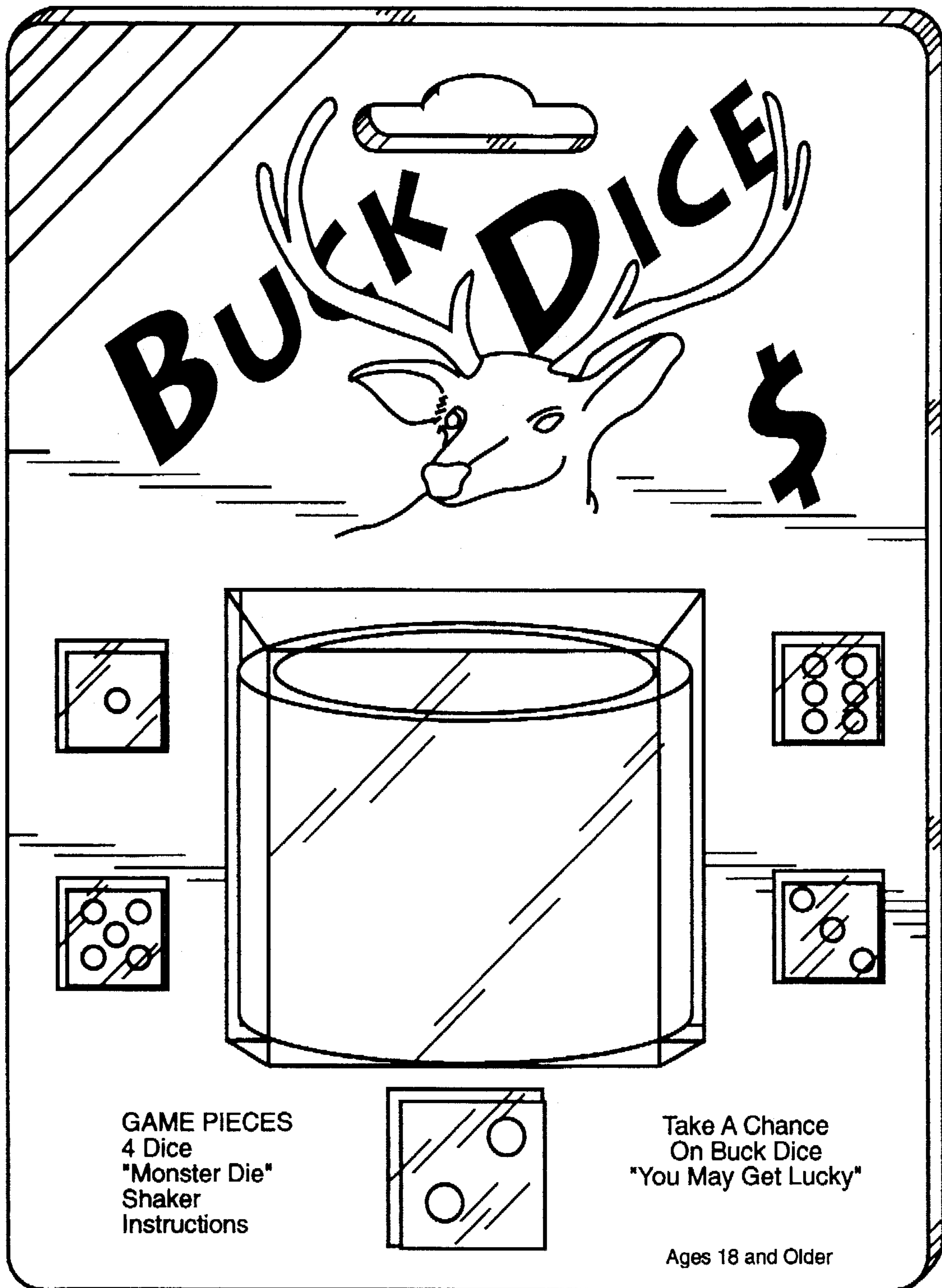


FIG. 1

FIG. 2

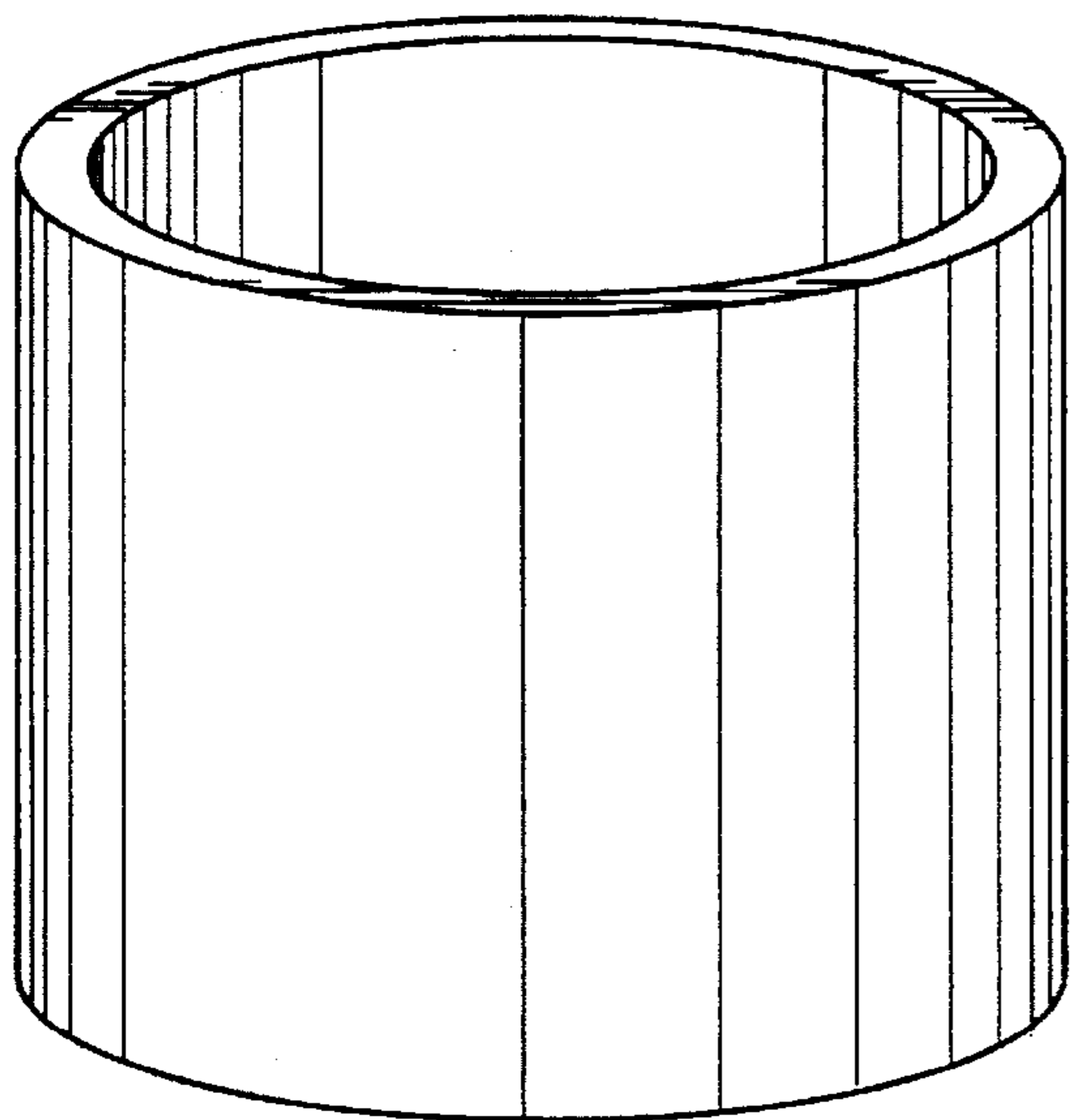


FIG. 3

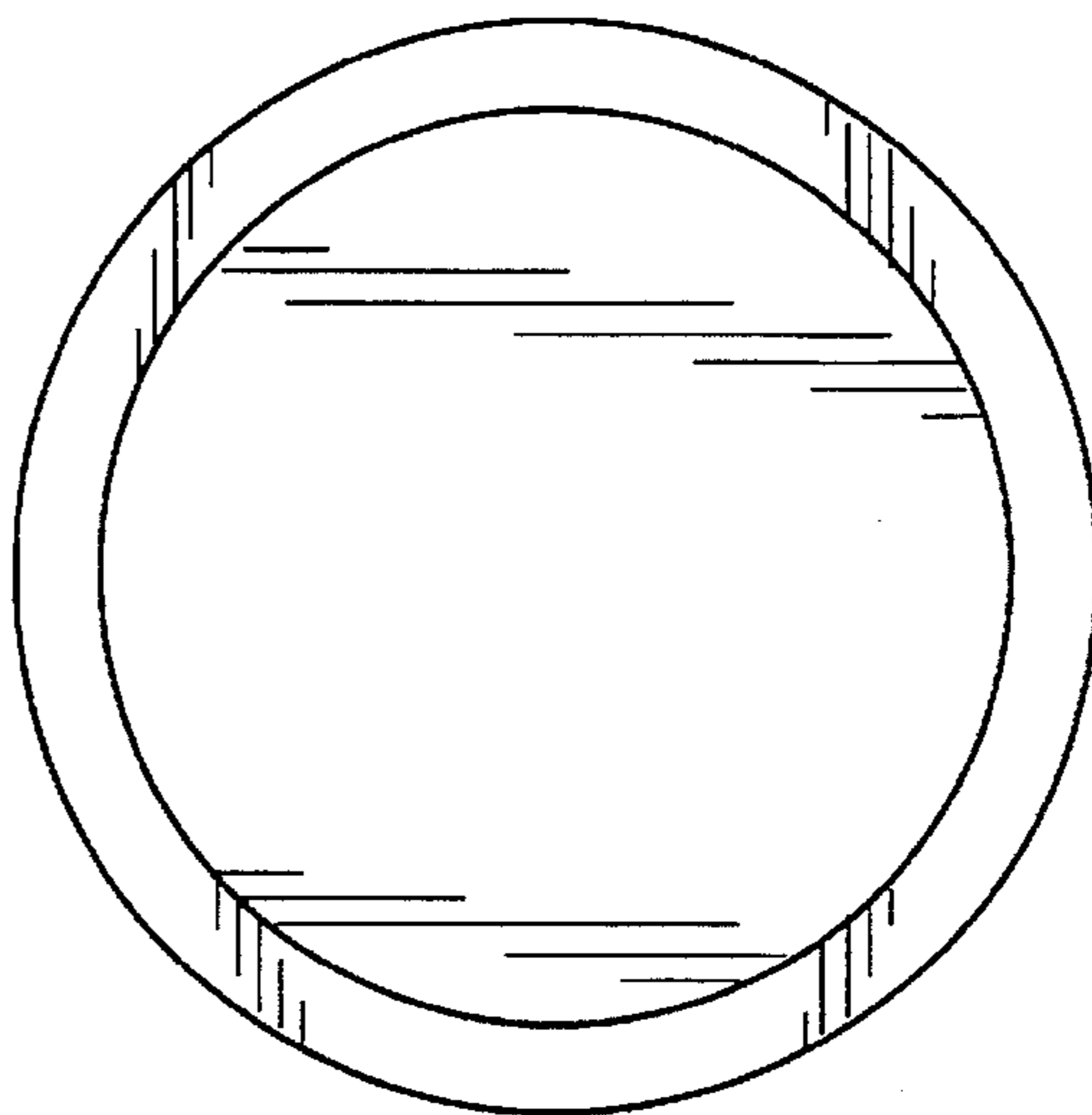
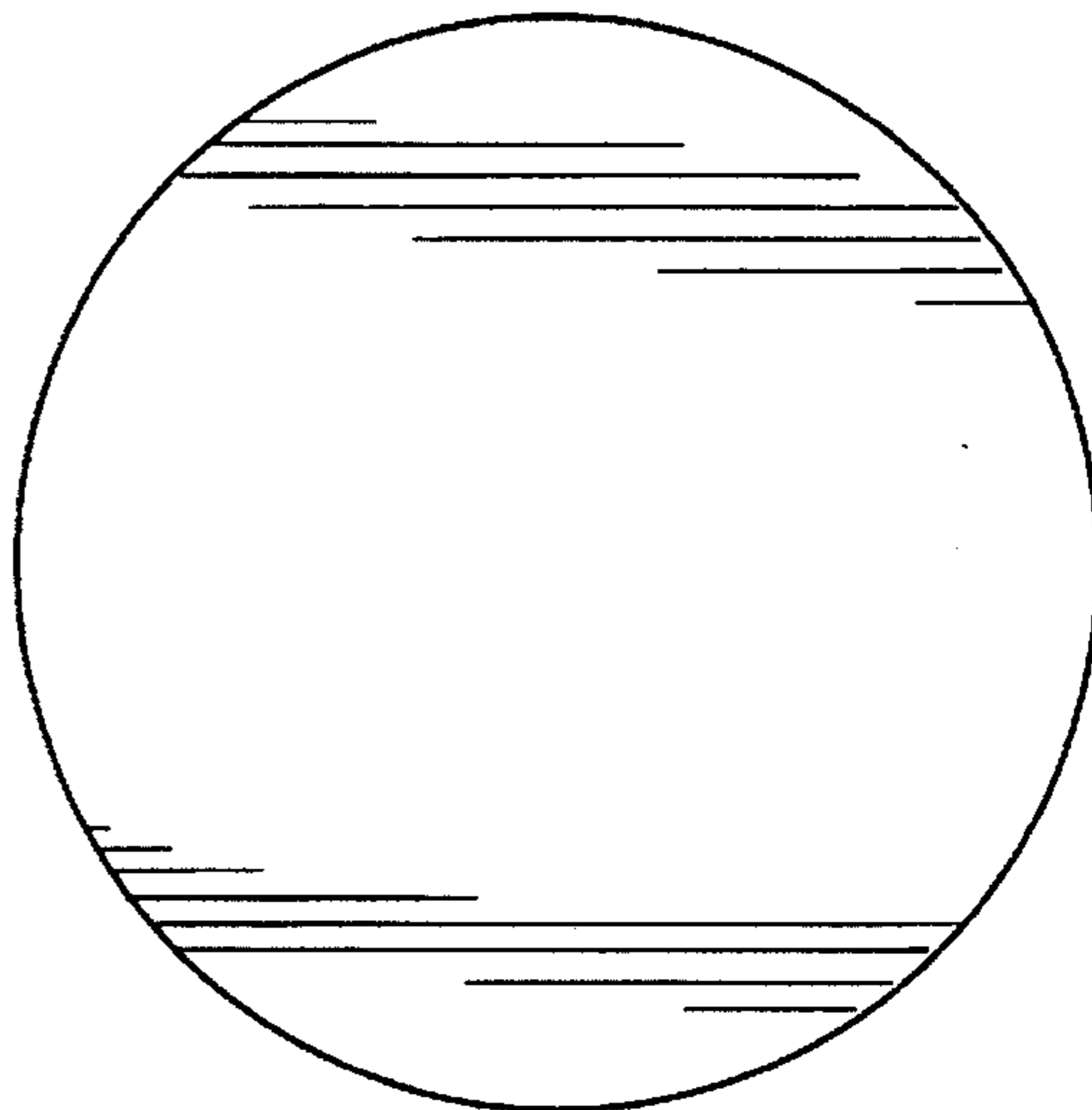


FIG. 4



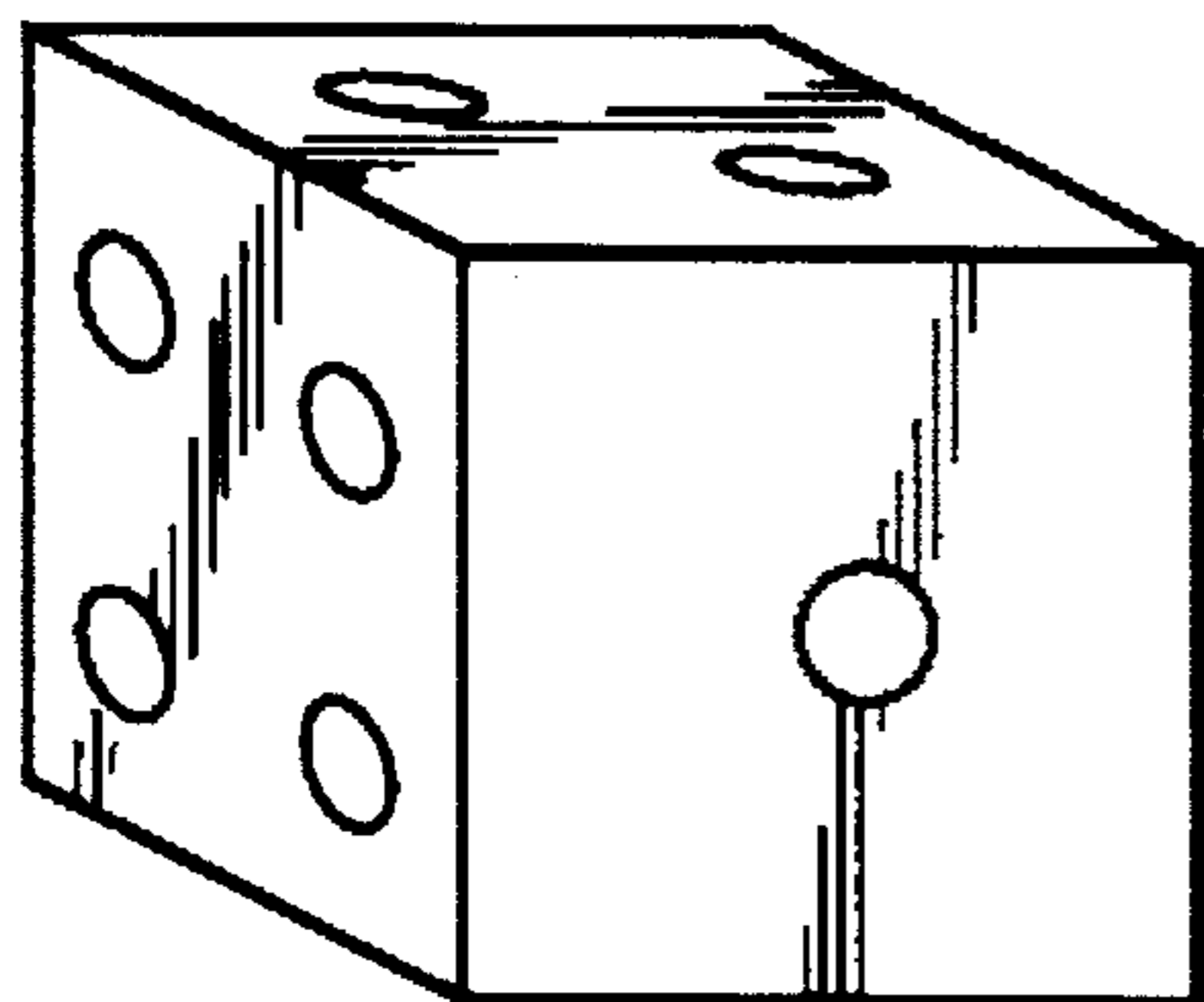


FIG. 5

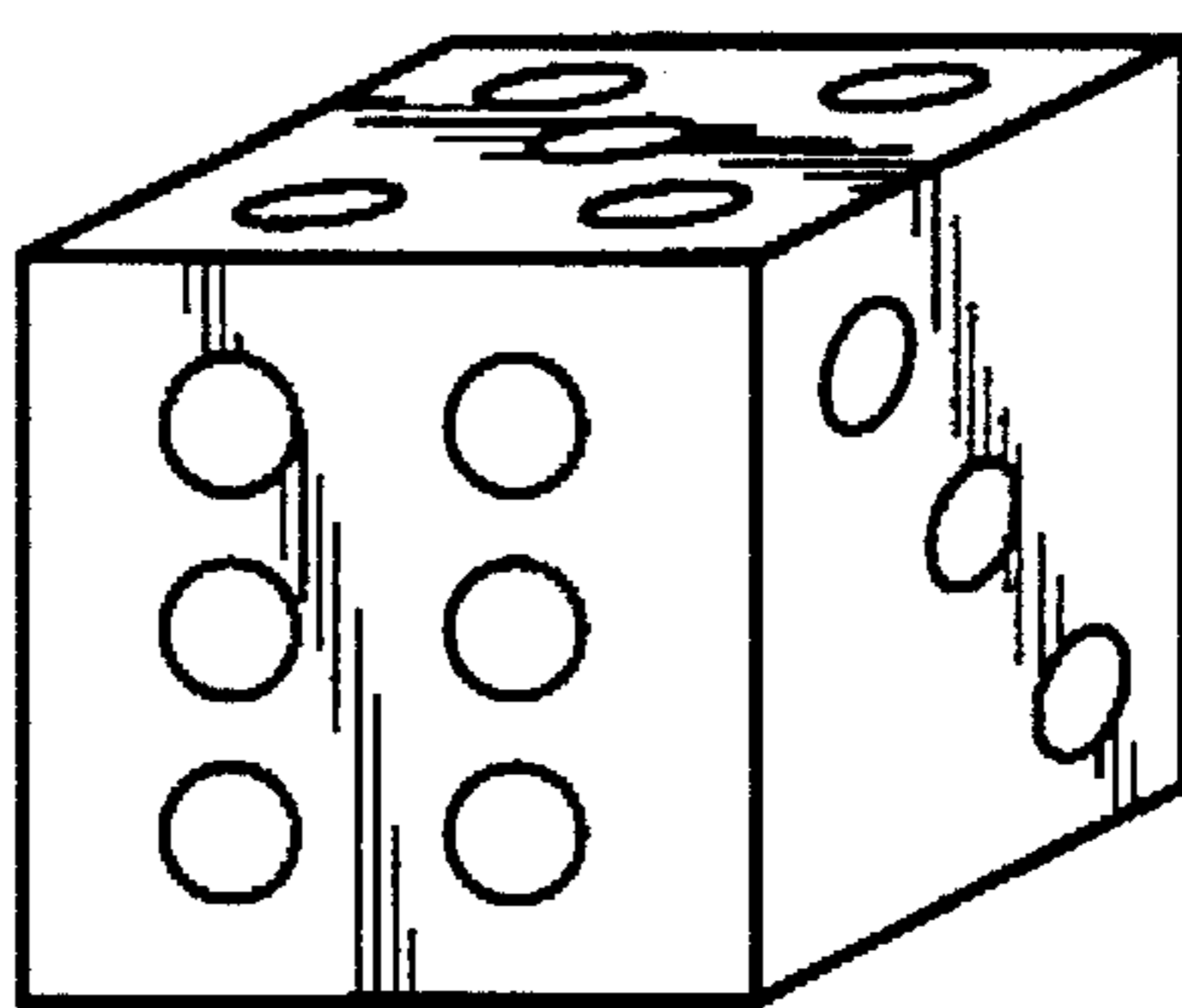


FIG. 6

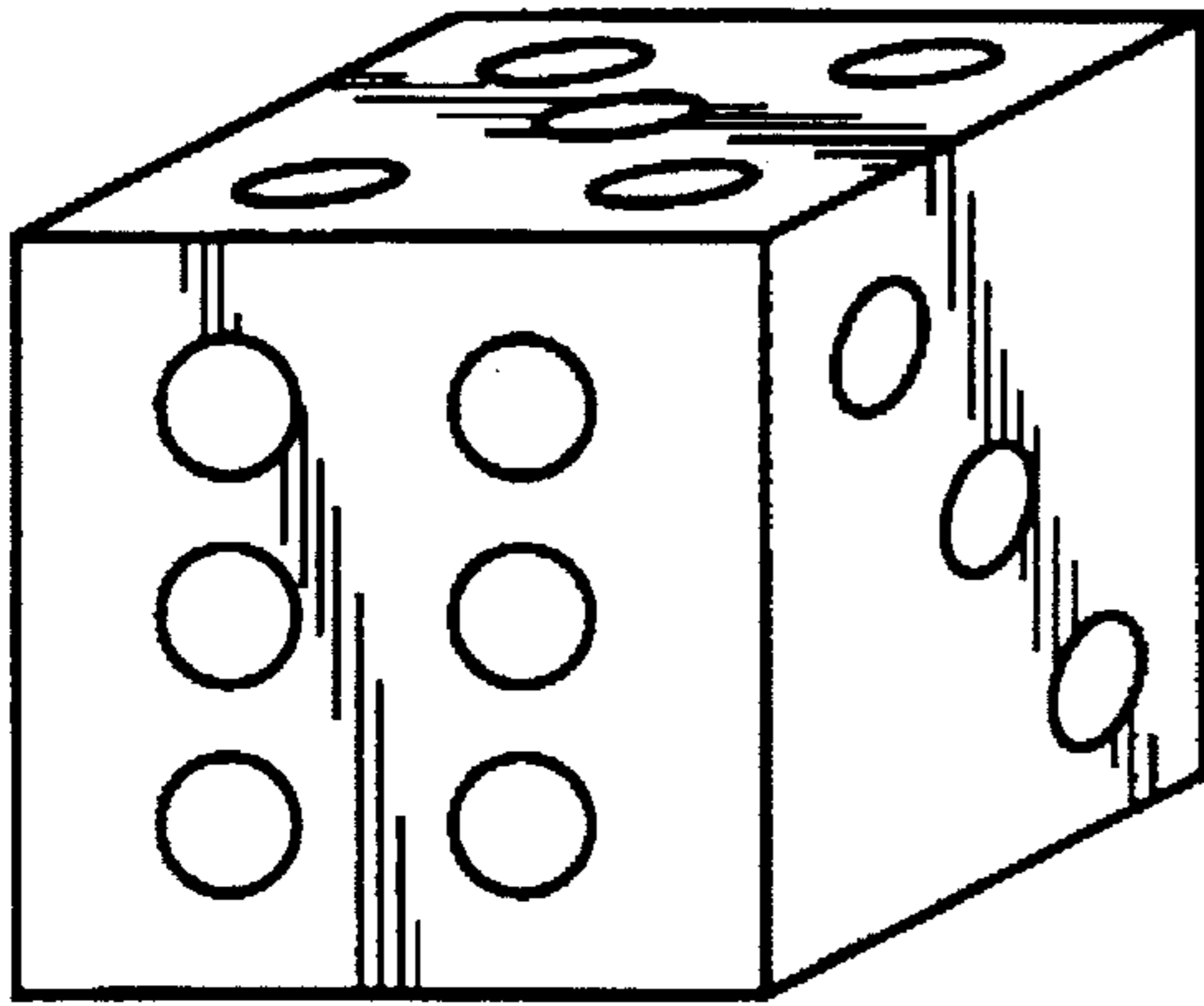


FIG. 7

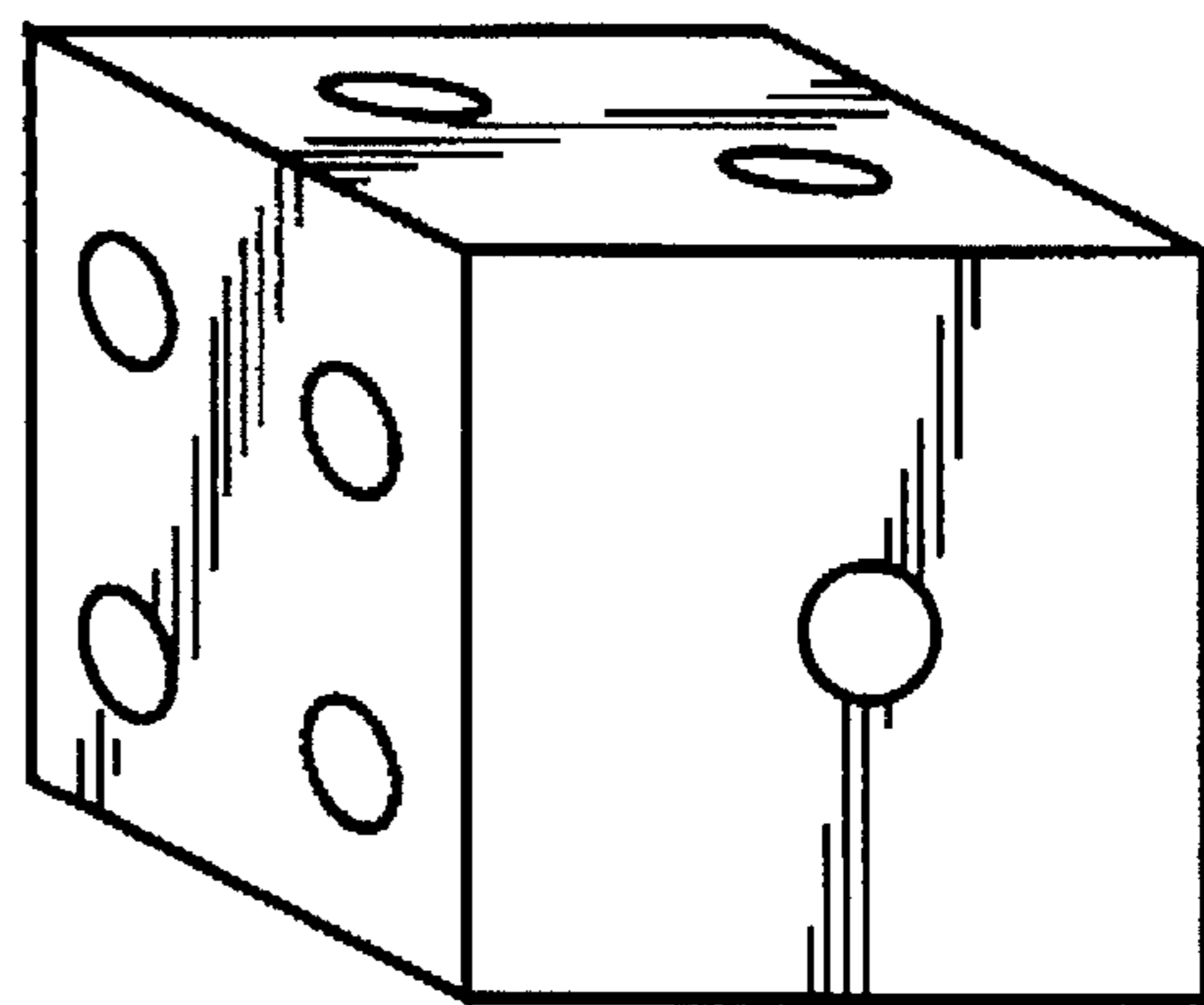


FIG. 8