



US00D383383S

United States Patent [19]

[11] Patent Number: **Des. 383,383**

Prestia et al.

[45] Date of Patent: ****Sep. 9, 1997**

[54] **BOTTLE**

D. 353,329 12/1994 Mangold D9/302 X
D. 372,870 8/1996 Westerhout .

[75] Inventors: **Jeannette Prestia**, Melrose Park;
Laura S. Elliott, Chicago; **Lawrence Laske**, Highland Park; **Caroline Marchionna**, Naperville, all of Ill.

OTHER PUBLICATIONS

Modern Salon, Jan. 1987, p. 117, Joico K-Pak hair conditioner container.

Cosmopolitan, Apr. 1994, p. 33, Studio Line by L'Oreal container tube.

Cosmopolitan, Jun. 1994, p. 80, Coppertone Sport suntan lotion tube.

[73] Assignee: **Helene Curtis, Inc.**, Chicago, Ill.

[**] Term: **14 Years**

Primary Examiner—Prabhakar G. Deshmukh

Assistant Examiner—Cheri Cohen

Attorney, Agent, or Firm—Greer, Burns & Crain, Ltd.

[21] Appl. No.: **51,792**

[22] Filed: **Mar. 18, 1996**

[51] LOC (6) Cl. **09-01**

[52] U.S. Cl. **D9/302; D9/332**

[58] Field of Search D9/302, 306, 332,
D9/565, 556, 552, 521; 215/384; 222/92,
107

[57] CLAIM

The ornamental design for a bottle, as shown and described.

DESCRIPTION

FIG. 1 is a perspective view of the bottle embodying the present invention;

FIG. 2 is a front view thereof;

FIG. 3 is a right side view thereof;

FIG. 4 is a rear view thereof;

FIG. 5 is a left side view thereof;

FIG. 6 is a top plan view thereof; and,

FIG. 7 is a bottom plan view thereof.

[56] References Cited

U.S. PATENT DOCUMENTS

- D. 140,741 4/1945 Serra D9/552 X
- D. 224,645 8/1972 Mascia D9/552
- D. 277,734 2/1985 Harris .
- D. 277,823 3/1985 Harris .
- D. 313,351 1/1991 Mansau .
- D. 318,012 7/1991 Kipperman et al. .
- D. 350,691 9/1994 Simion D9/306

1 Claim, 2 Drawing Sheets

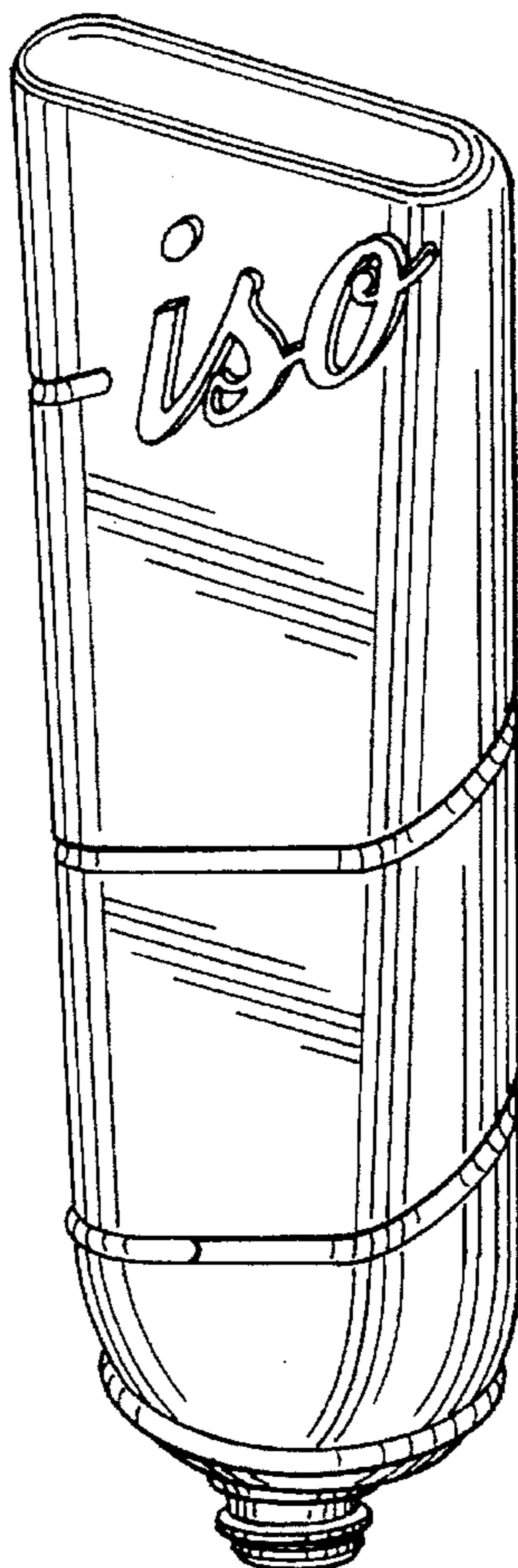


FIG.3

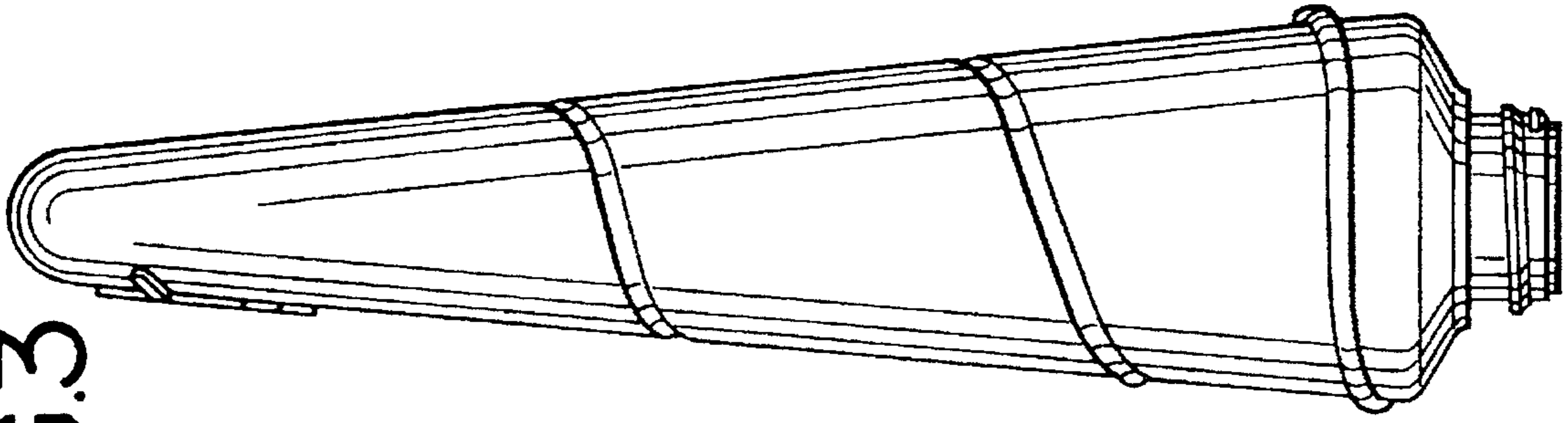


FIG.2

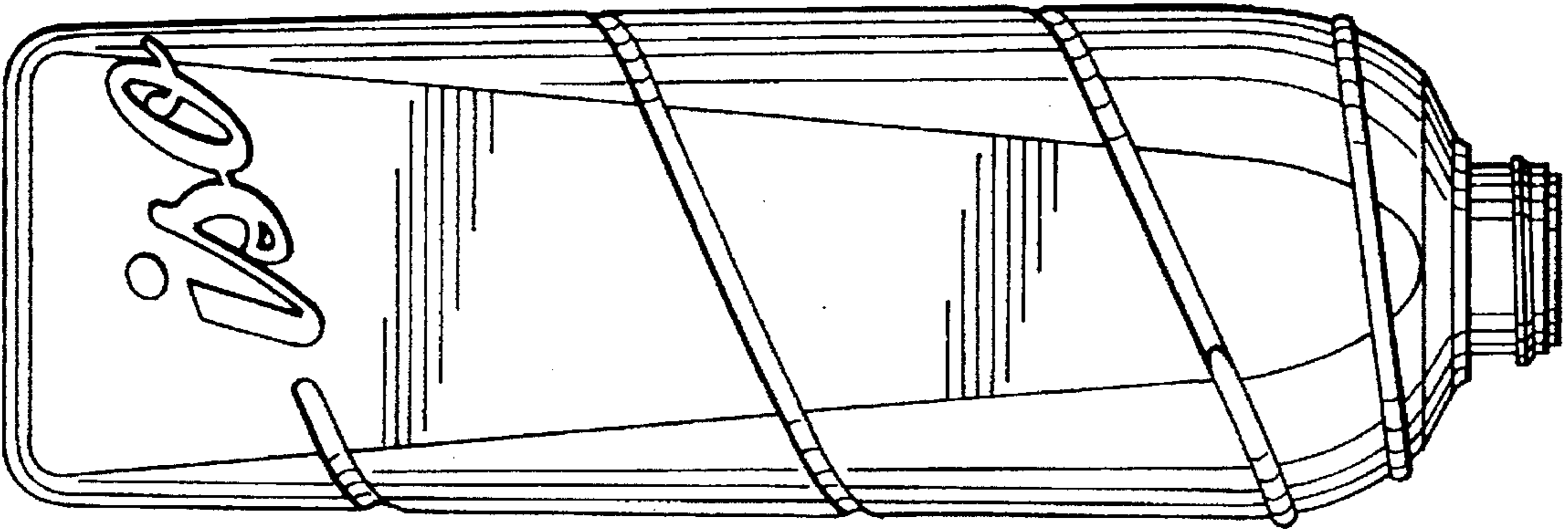


FIG.1

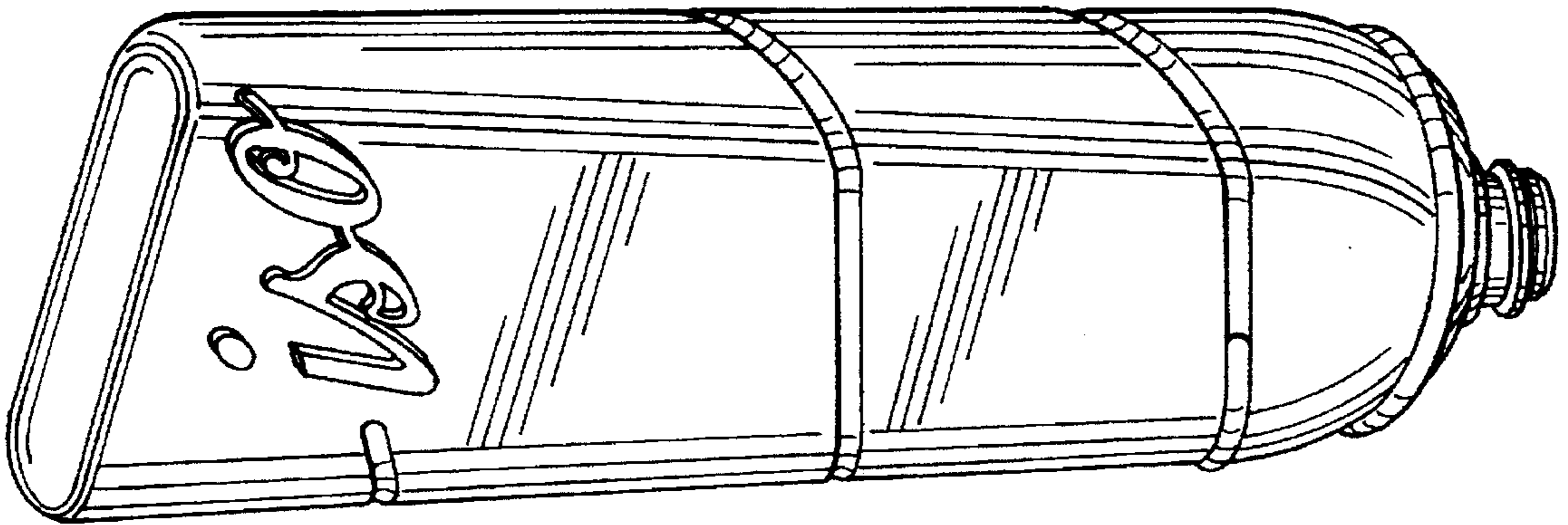


FIG.4

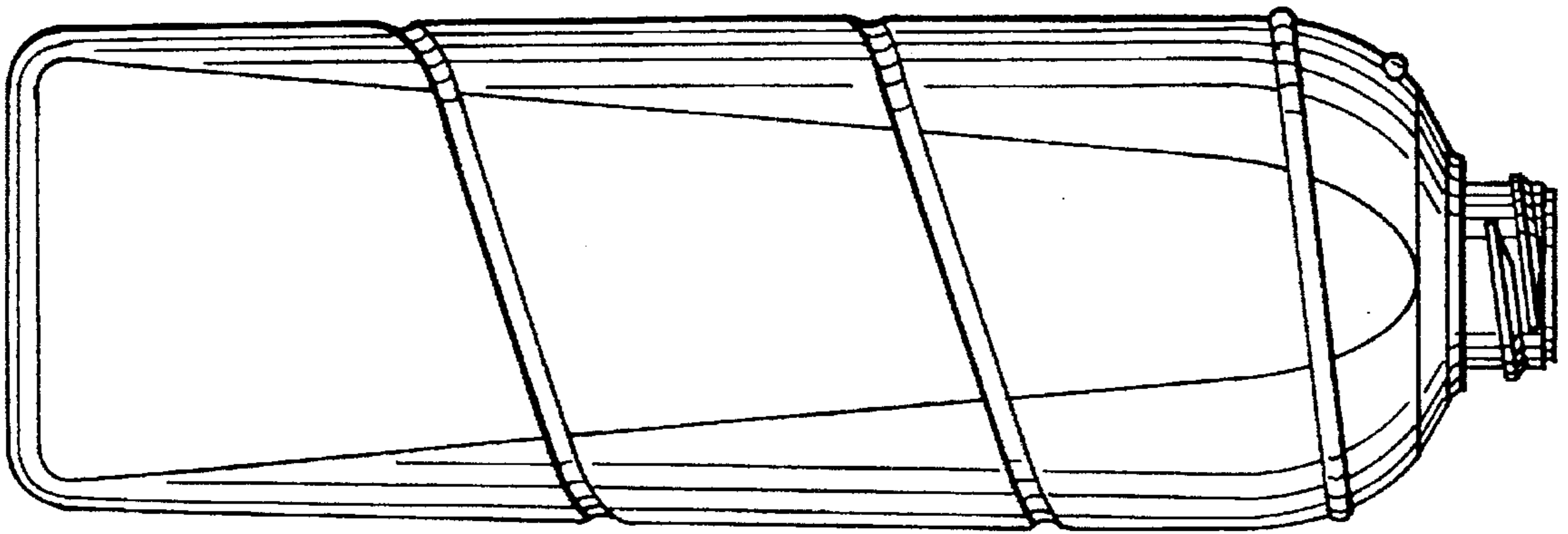


FIG.5

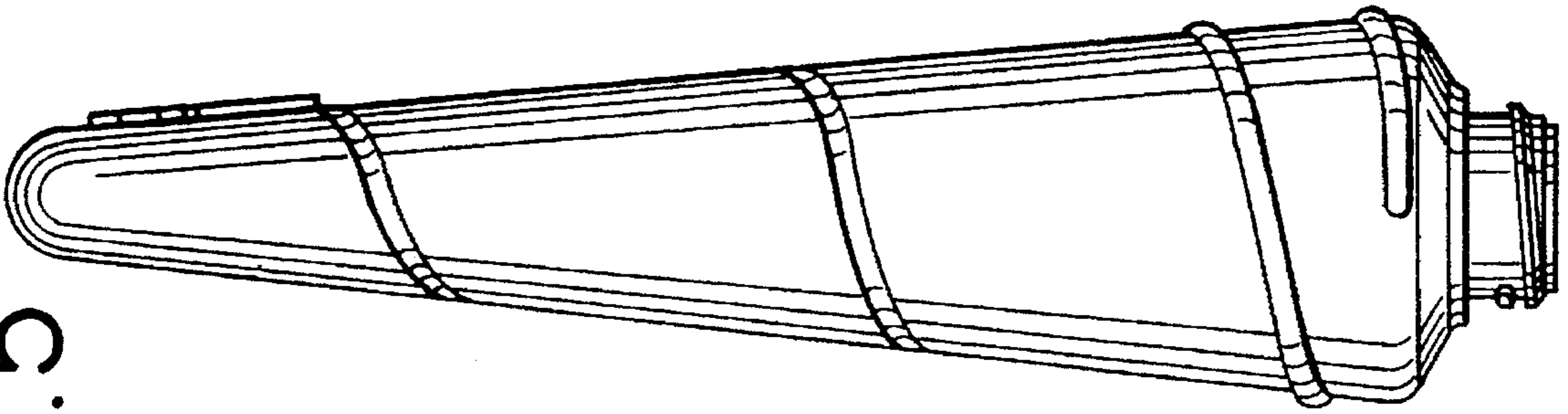


FIG.6

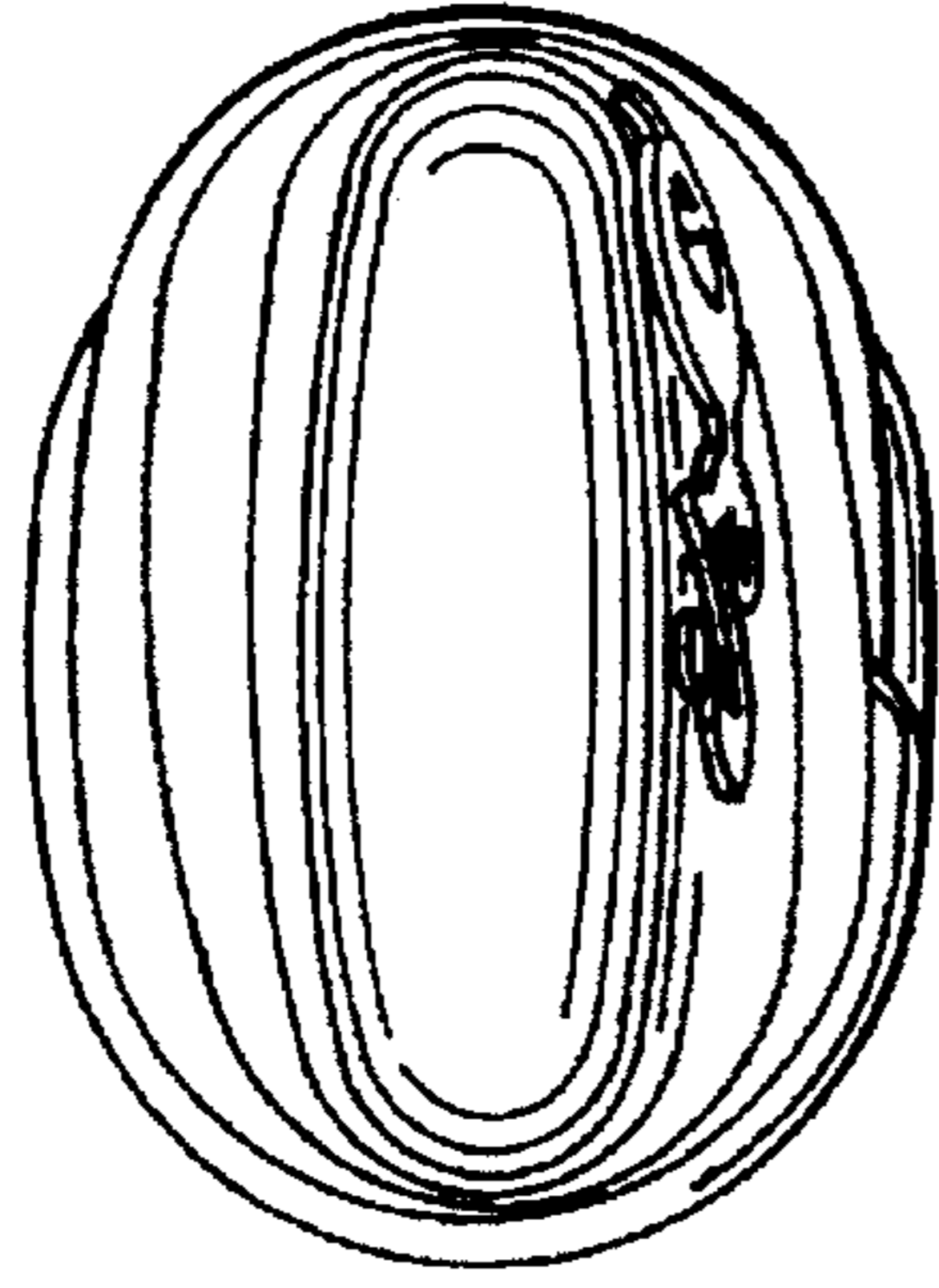


FIG.7

