



US00D383380S

# United States Patent [19]

[11] Patent Number: **Des. 383,380**

**Kempf et al.**

[45] Date of Patent: **\*\*Sep. 9, 1997**

- [54] **DUPLEX CLIP AND HOLDER**
- [75] Inventors: **Andrew Kempf**, Horseheads, N.Y.;  
**Thomas E. Simmons, Jr.**, Milford, N.H.
- [73] Assignee: **Augat Inc.**, Mansfield, Mass.
- [\*\*] Term: **14 Years**
- [21] Appl. No.: **49,938**
- [22] Filed: **Feb. 5, 1996**
- [51] **LOC (6) Cl.** ..... **08-08**
- [52] **U.S. Cl.** ..... **D8/395; D13/154**
- [58] **Field of Search** ..... **D8/354, 380, 394,**  
**D8/381, 395; D13/133, 146, 154; D26/113,**  
**140, 138; 248/304, 250, 68.1, 251; 385/55,**  
**136, 137, 147**

- 5,180,130 1/1993 McMichael ..... 248/251
- 5,214,735 5/1993 Henneberger et al. .
- 5,268,982 12/1993 Schaffer et al. .
- 5,329,604 7/1994 Baldwin et al. .
- 5,343,547 8/1994 Palecek et al. .
- 5,386,487 1/1995 Briggs et al. .
- 5,398,295 3/1995 Chang et al. .

*Primary Examiner*—Paula A. Mortimer  
*Attorney, Agent, or Firm*—Weingarten, Schurgin, Gagnebin & Hayes LLP

## [57] CLAIM

The ornamental design for the duplex clip and holder, as shown and described.

## DESCRIPTION

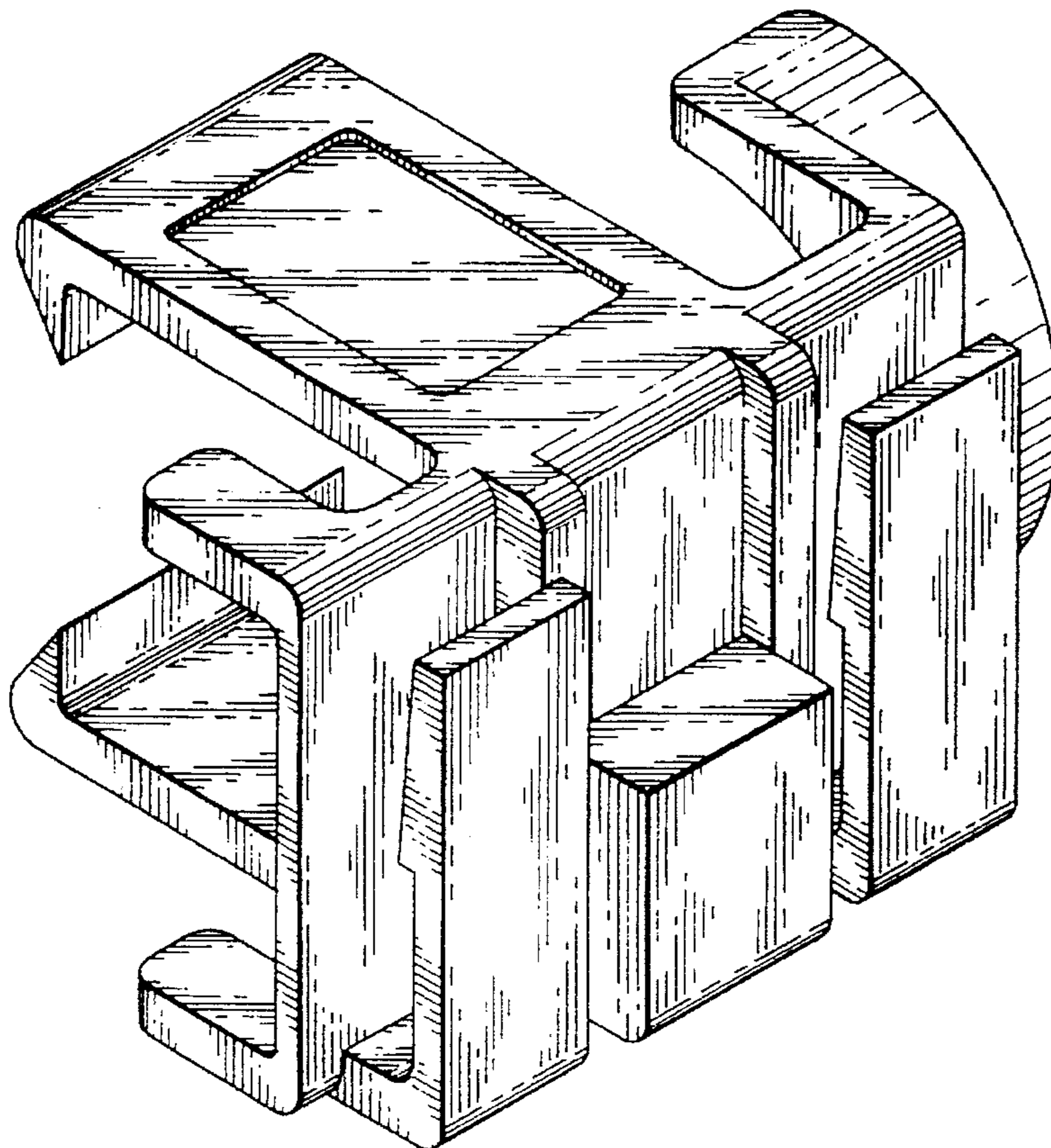
FIG. 1 is a front perspective view of a duplex clip and holder showing our new design;  
 FIG. 2 is a right side view of the duplex clip and holder;  
 FIG. 3 is a left side view of the duplex clip and holder;  
 FIG. 4 is a top view of the duplex clip and holder;  
 FIG. 5 is a bottom view of the duplex clip and holder;  
 FIG. 6 is a front view of the duplex clip and holder;  
 FIG. 7 is a rear view of the duplex clip and holder;  
 FIG. 8 is a right side elevational view of the duplex clip and holder, the broken line showing of the coupled duplex clip and holder is for illustrative purposes only and forms no part of the claimed design;  
 FIG. 9 is a bottom plan view thereof; and,  
 FIG. 10 is a perspective view thereof.

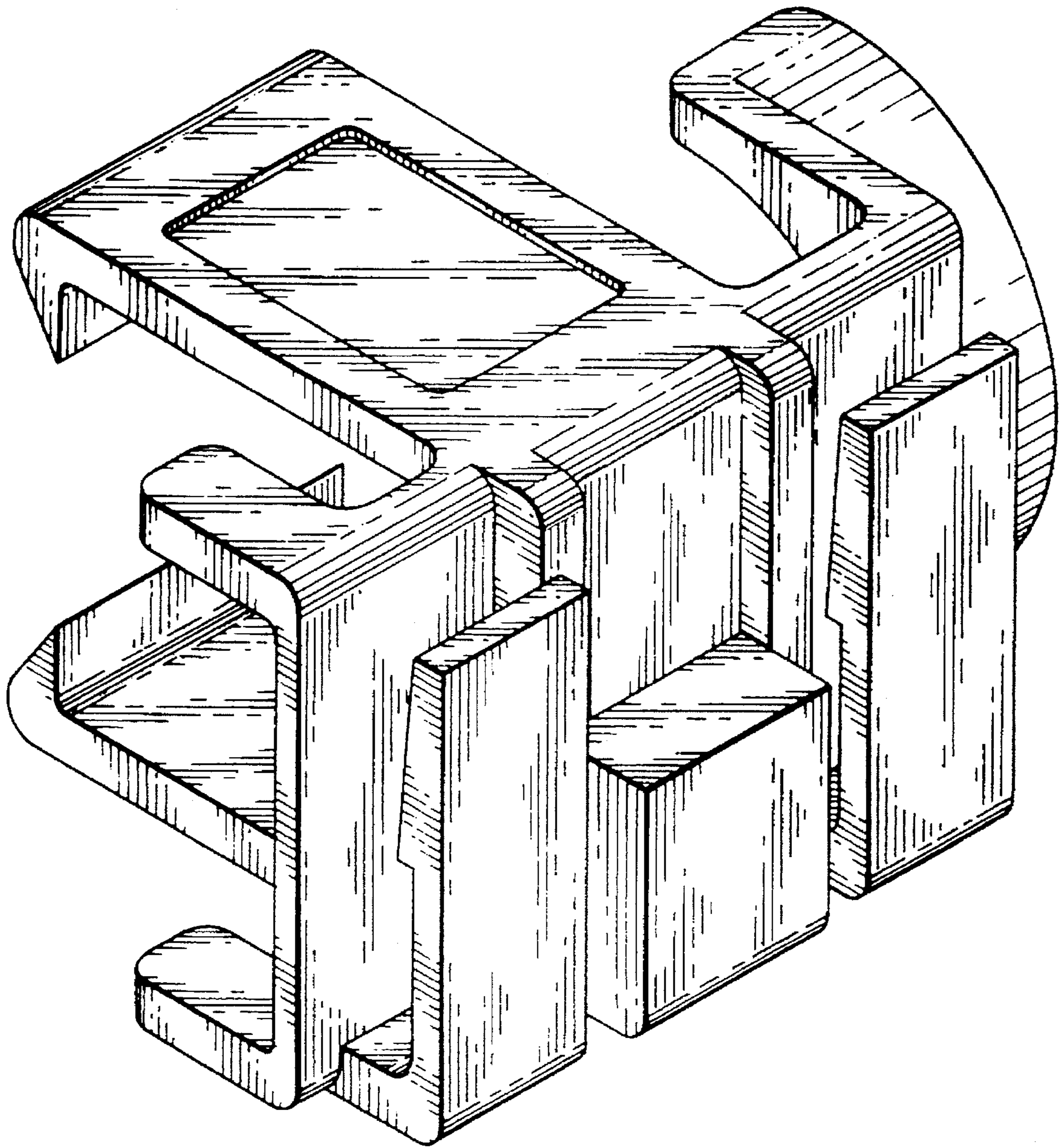
## [56] References Cited

### U.S. PATENT DOCUMENTS

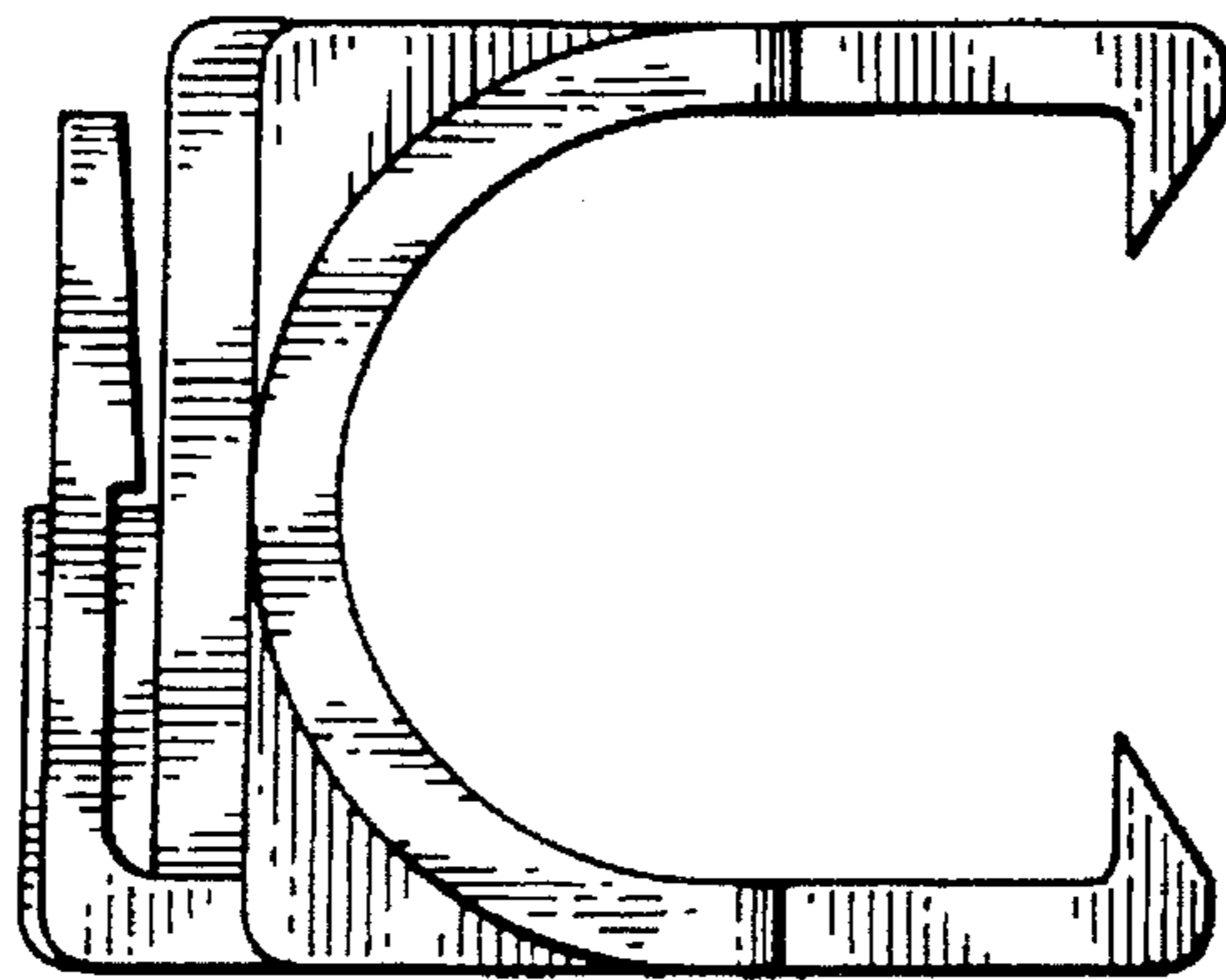
- D. 296,417 6/1988 Misono et al. .... D8/380
- D. 317,299 6/1991 Sugiyama et al. .... D13/154
- D. 320,383 10/1991 Oka ..... D13/154
- 3,304,042 2/1967 Iivandick ..... 248/314
- 4,167,303 9/1979 Bowen et al. .
- 4,306,697 12/1981 Mathews ..... 248/68.1
- 4,646,395 3/1987 Mayszak ..... 248/68.1 X
- 4,798,440 1/1989 Hoffer et al. .
- 4,953,929 9/1990 Basista et al. .
- 5,016,968 5/1991 Hammond et al. .
- 5,123,071 6/1992 Mulholland et al. .

1 Claim, 4 Drawing Sheets

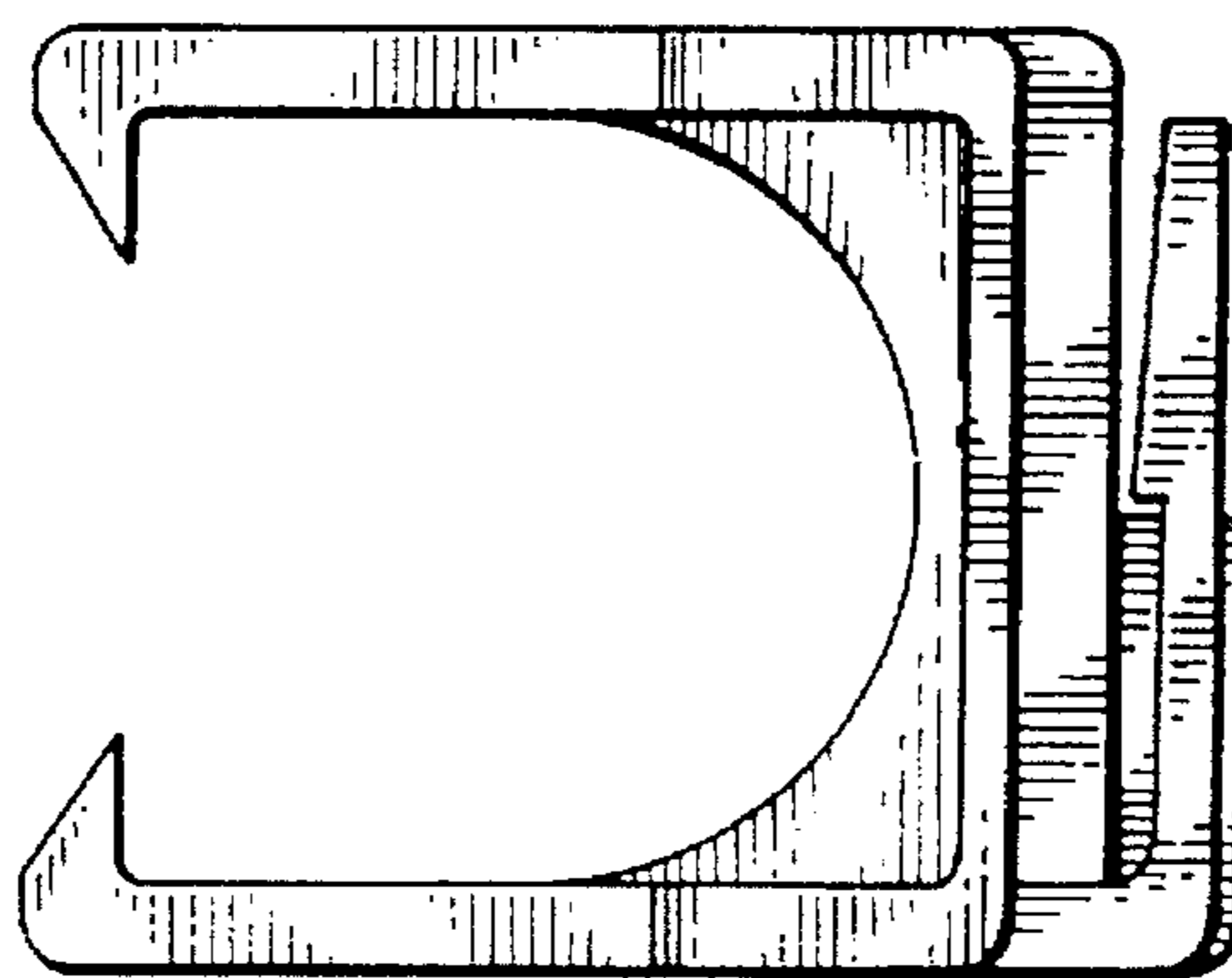




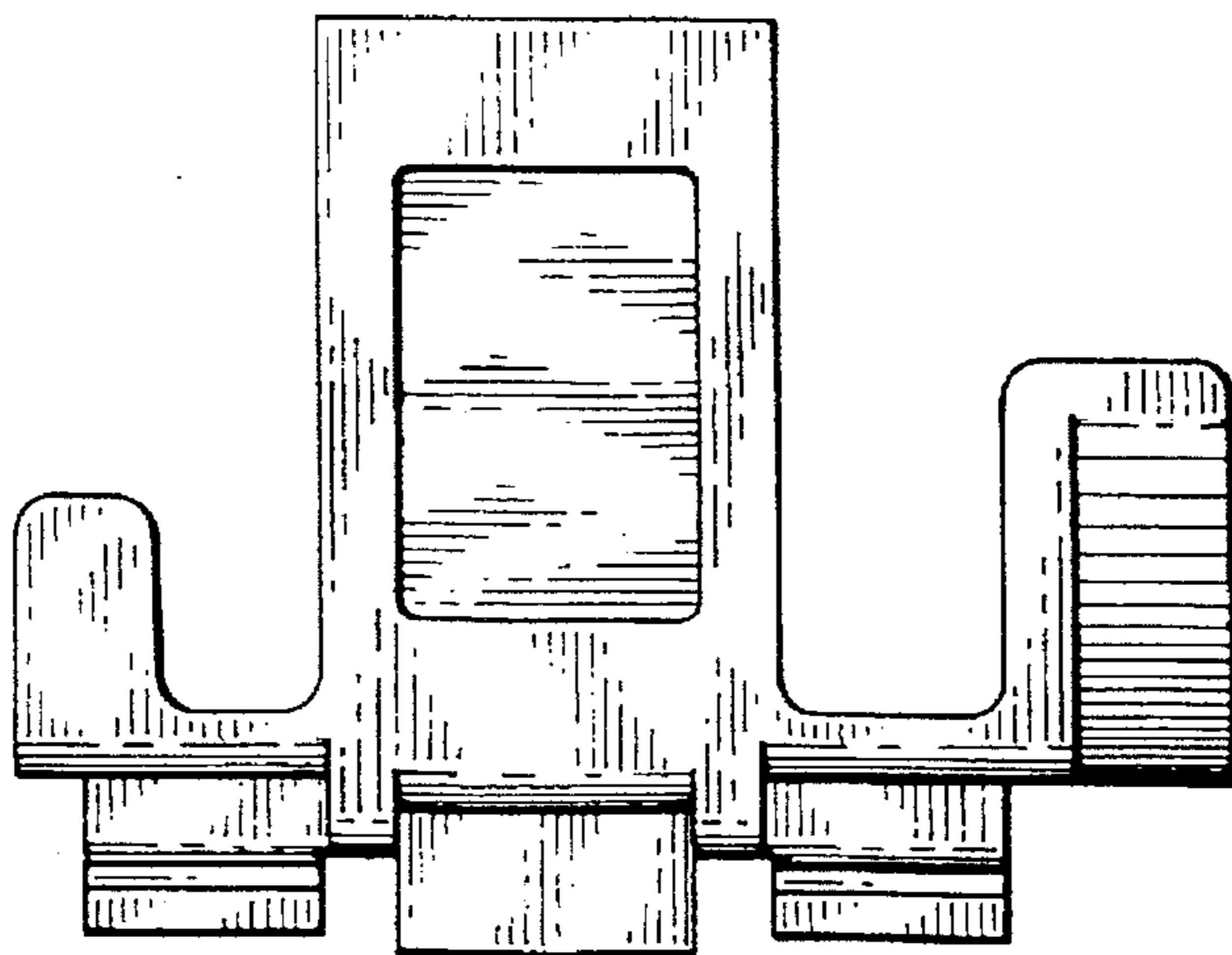
*FIG. 1*



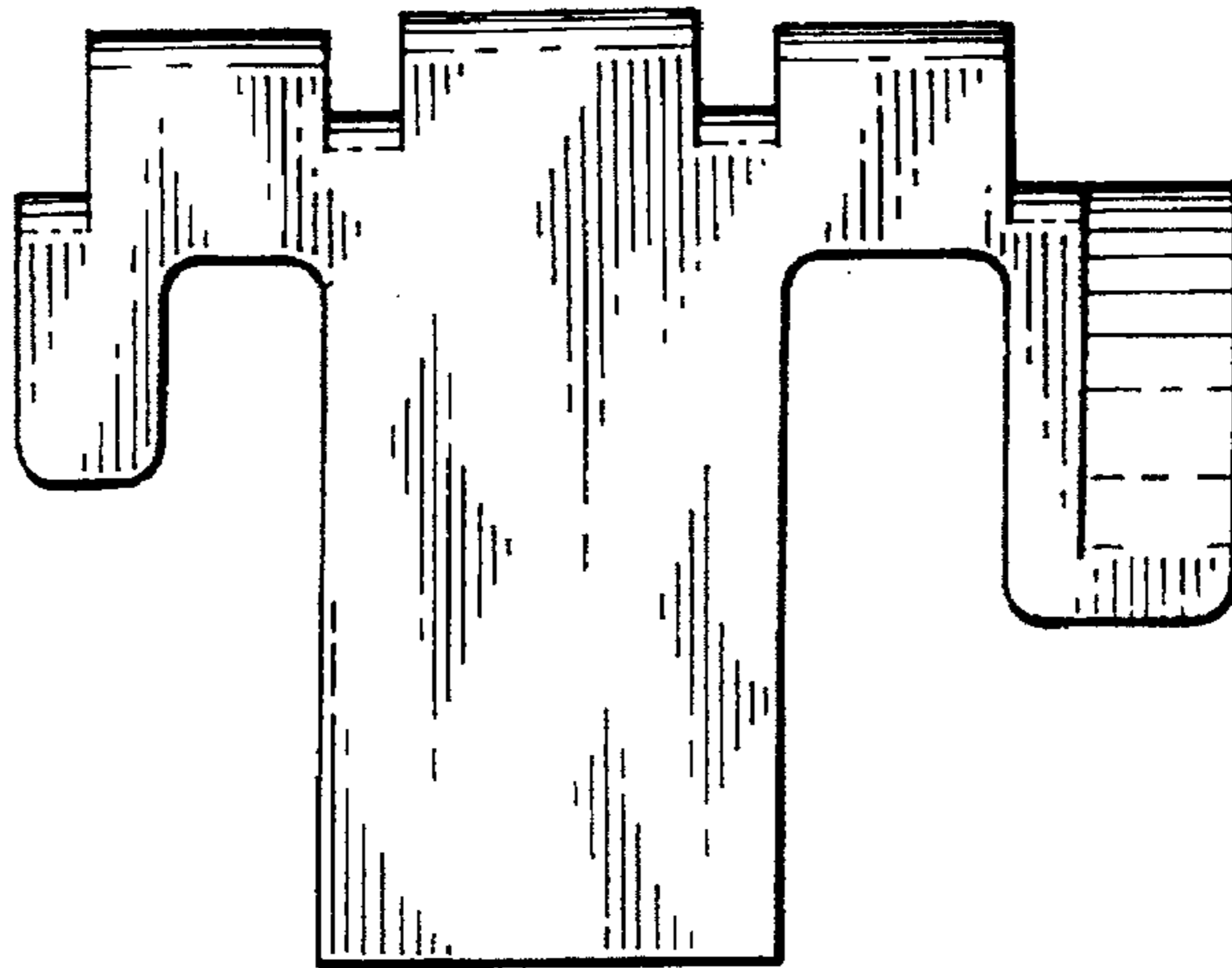
*FIG. 2*



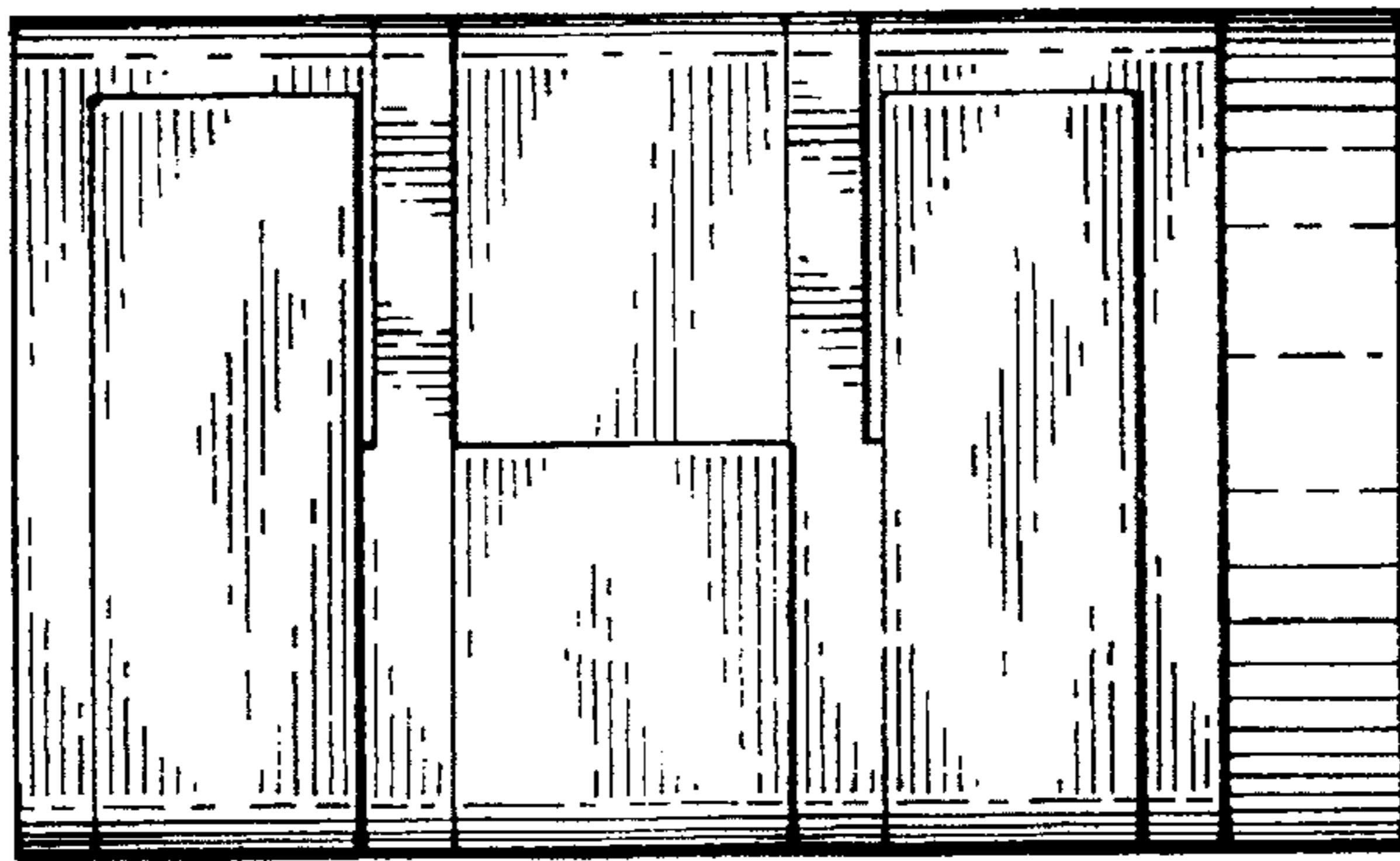
*FIG. 3*



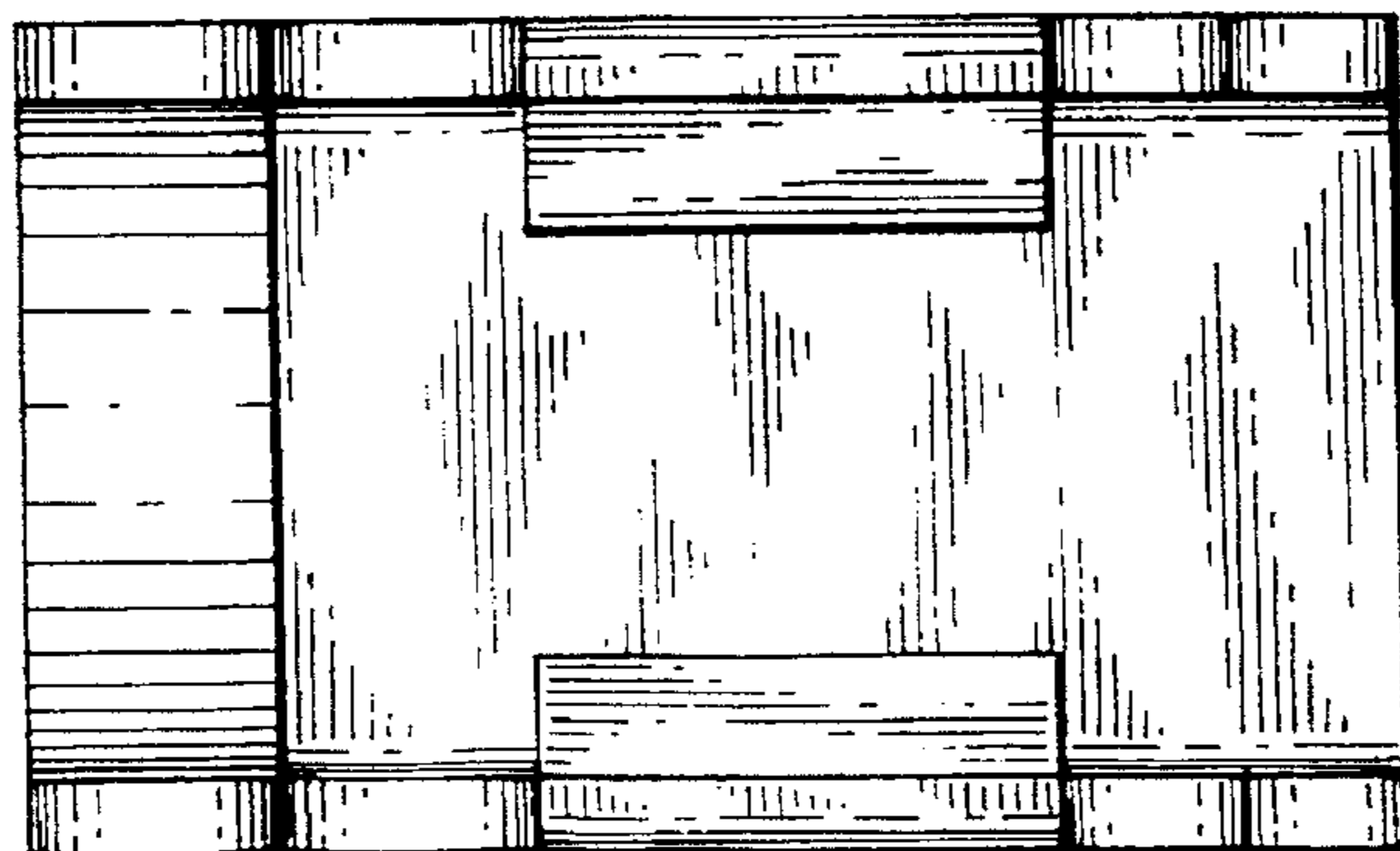
*FIG. 4*



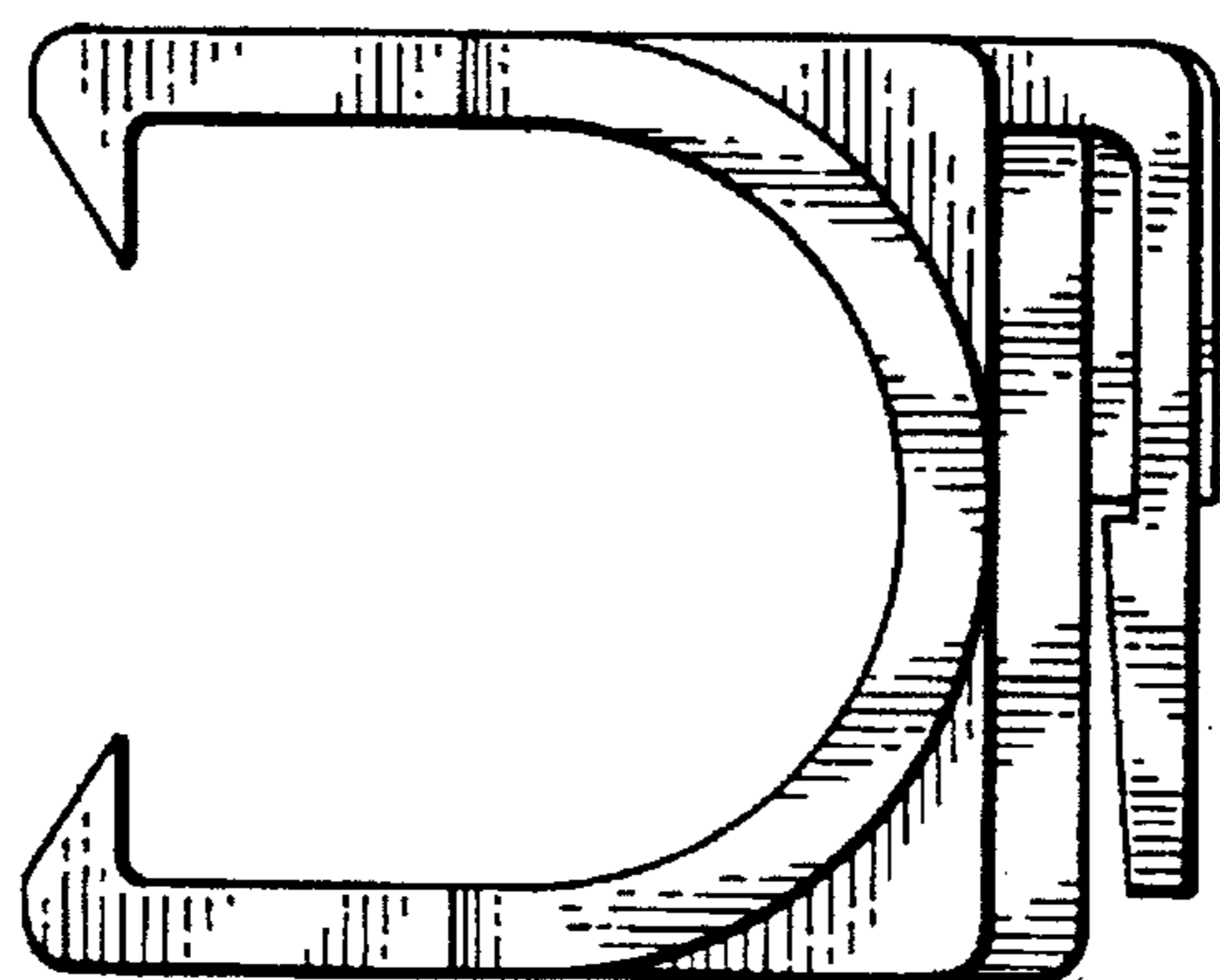
*FIG. 5*



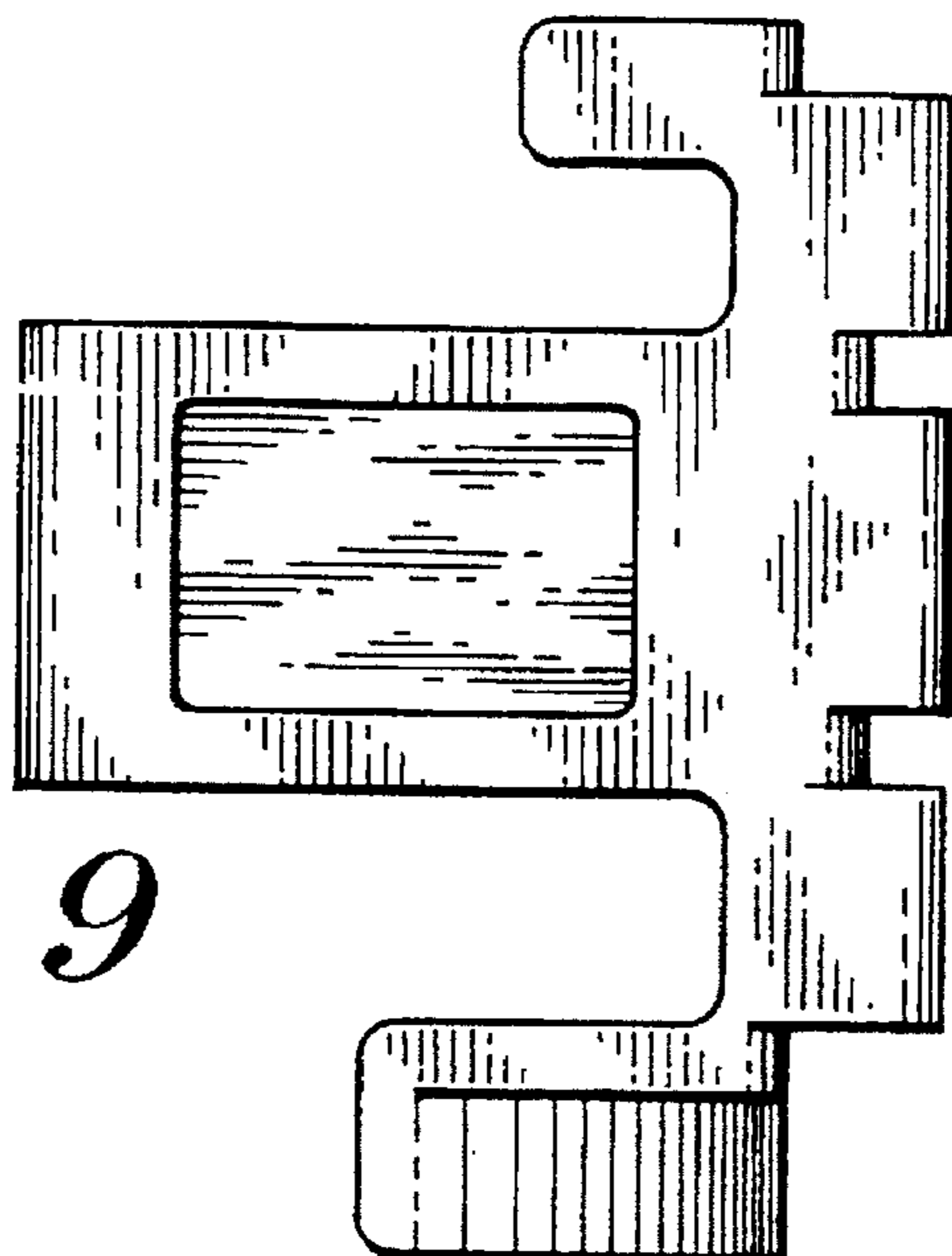
*FIG. 6*



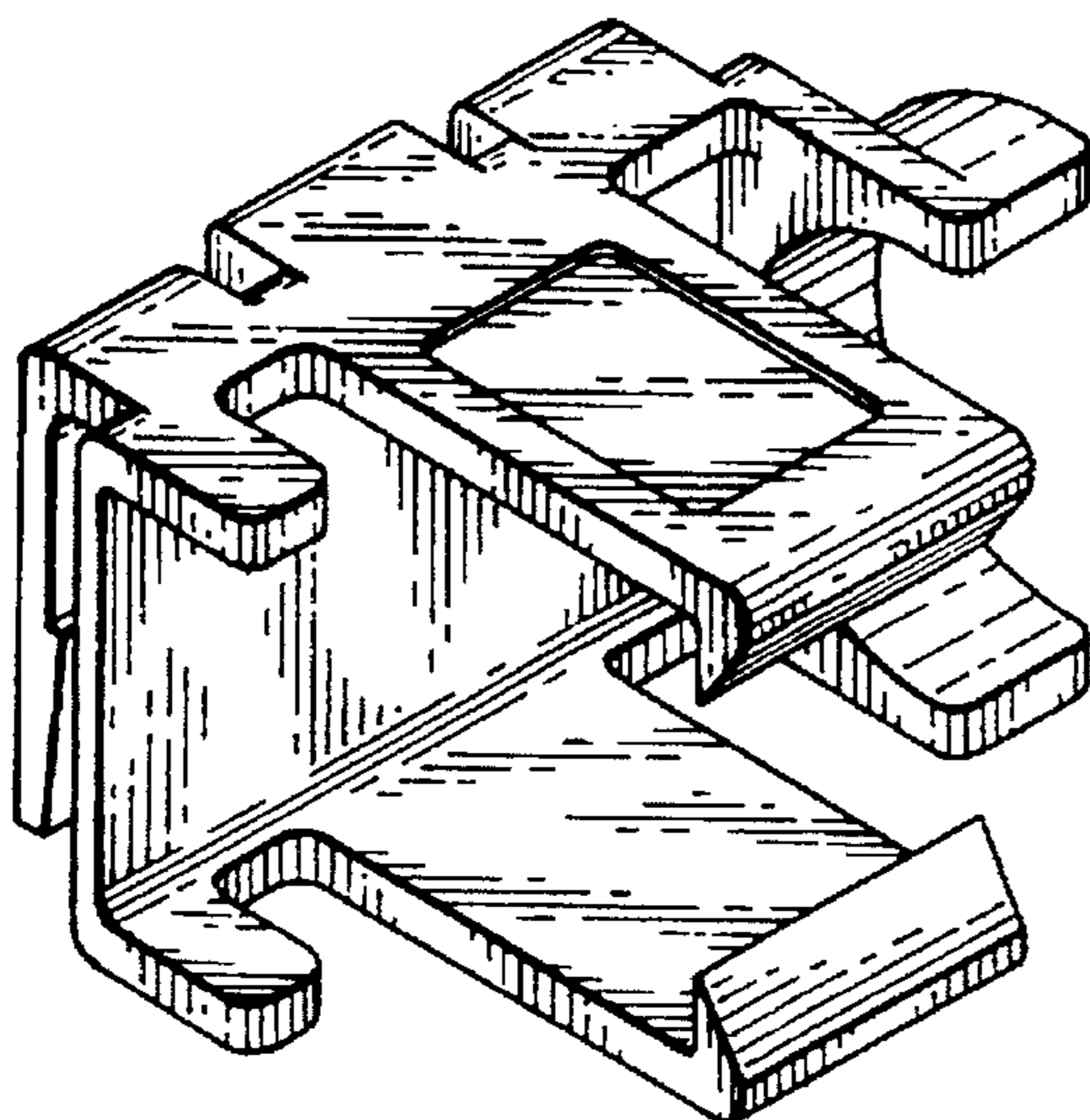
*FIG. 7*



*FIG. 8*



*FIG. 9*



*FIG. 10*