



US00D383378S

# United States Patent [19]

Schrader et al.

[11] Patent Number: **Des. 383,378**

[45] Date of Patent: **\*\*Sep. 9, 1997**

[54] **TAPERED THREADED COUPLING**

[75] Inventors: **Robert S. Schrader**, Dallas; **James L. Snyder**, Houston; **James Phillip Ellenberger**, Spring; **James W. Magee**, Houston; **Peter J. Badley**, Houston; **Joe A. Escobedo**, Houston; **Daniel T. Gutierrez**, Houston; **Williams E. Goussen**, Houston, all of Tex.

[73] Assignee: **WFI International, Inc.**, Houston, Tex.

[\*\*] Term: **14 Years**

[21] Appl. No.: **18,529**

[22] Filed: **Feb. 9, 1994**

[51] LOC (6) Cl. .... **08-08**

[52] U.S. Cl. .... **D8/382; D23/262**

[58] Field of Search ..... **D23/262, 260, D23/264, 265; D8/382; 285/334.2, 341**

[56] **References Cited**

**U.S. PATENT DOCUMENTS**

- D. 243,456 2/1977 Ryan .
- D. 243,457 2/1977 Ryan .
- D. 254,266 2/1980 Taberiu .
- D. 262,397 12/1981 Ryan .
- D. 267,505 1/1983 Ryan .
- D. 274,549 7/1984 Ryan .
- D. 282,867 3/1986 Ryan et al. .
- D. 282,961 3/1986 Ryan .
- D. 293,710 1/1988 Woods .
- 625,155 5/1899 Dresser ..... 285/341 X
- 1,901,201 3/1933 Taylor .
- 2,109,915 3/1938 Watts .
- 2,328,298 8/1943 Santhoff ..... 285/341 X

- 2,355,871 8/1944 Kraft ..... 285/341
- 2,701,149 2/1955 Kreidel et al. .... 285/341 X
- 3,254,909 6/1966 Ver Nooy .
- 3,667,783 6/1972 Sotolongo ..... 285/341 X
- 4,438,955 3/1984 Ryan .
- 4,450,613 5/1984 Ryan et al. .

**FOREIGN PATENT DOCUMENTS**

- 1188438 10/1985 U.S.S.R. .... 285/341
- 510509 8/1939 United Kingdom ..... 285/341

**OTHER PUBLICATIONS**

European Products "Promat Weldoflange," Promat Nipoflange, and Promat Reinforced Nipoflange, pp. 35-30 (date not provided).  
WFI Spec. Sheet Therma-Connections, p. 34, Sep., 1980.  
WFI International, Inc., Forged Piping and Vessel Components Catalog, 1987.

*Primary Examiner*—Lucy Lieberman

*Attorney, Agent, or Firm*—Pravel, Hewitt, Kimball & Krieger

[57] **CLAIM**

The ornamental design for tapered threaded coupling, as shown and described.

**DESCRIPTION**

FIG. 1 is a front perspective view of the tapered threaded coupling showing our new design;  
FIG. 2 is a rear perspective view thereof;  
FIG. 3 is a rear plan view thereof;  
FIG. 4 is a top plan view thereof; and,  
FIG. 5 is a side view thereof, with the opposite side view being identical thereto.

**1 Claim, 1 Drawing Sheet**

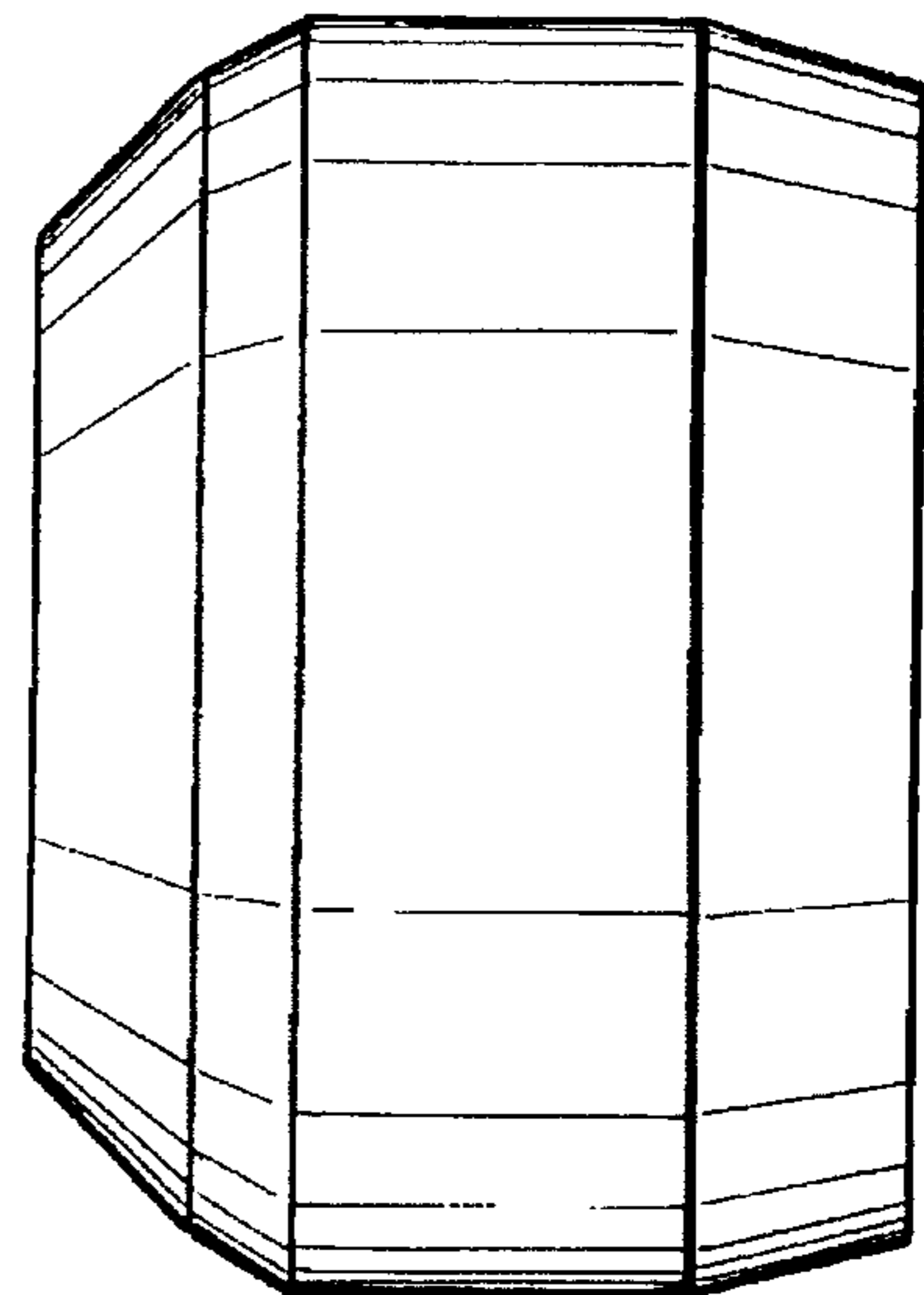
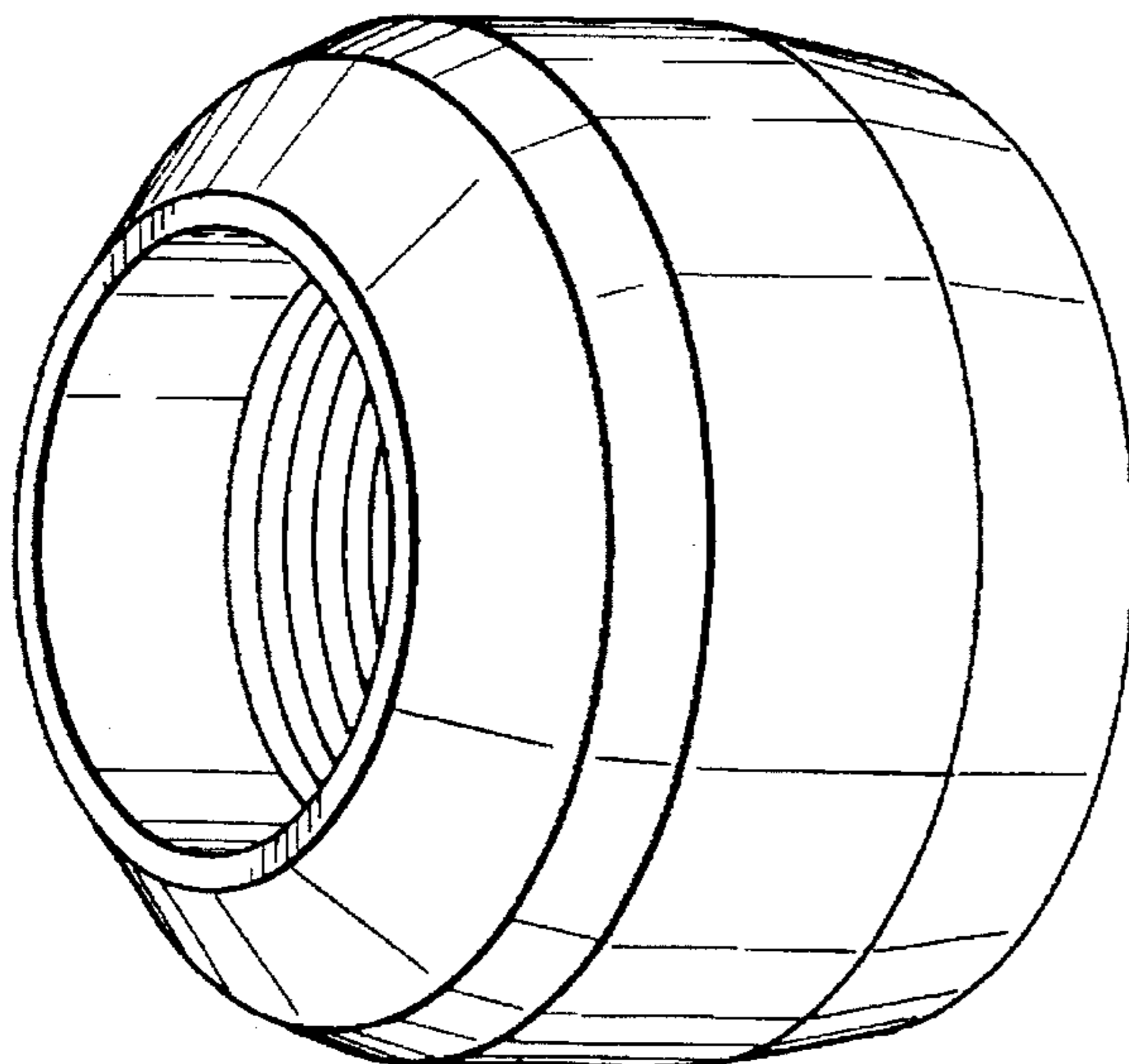


FIG. 1

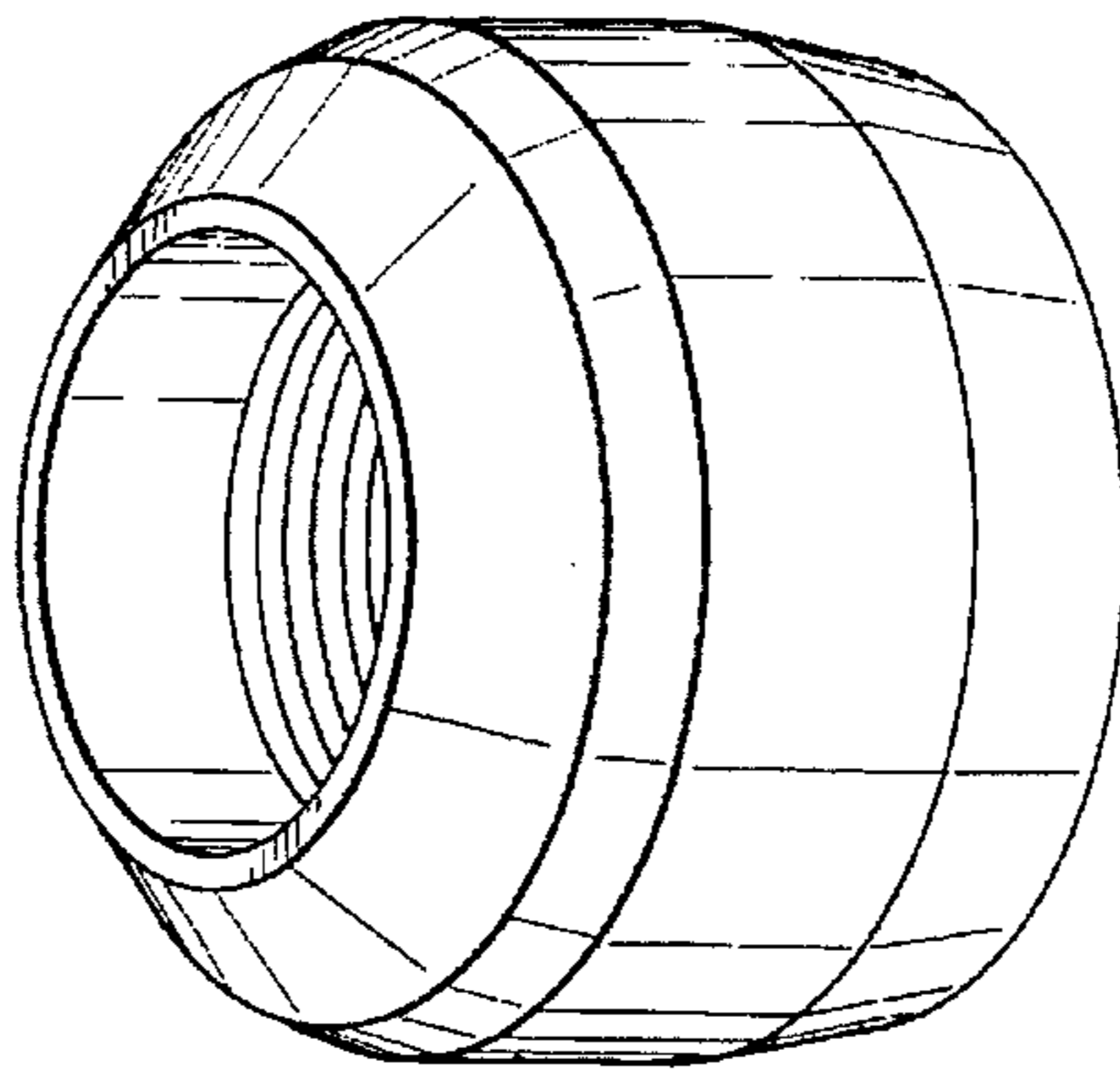


FIG. 2

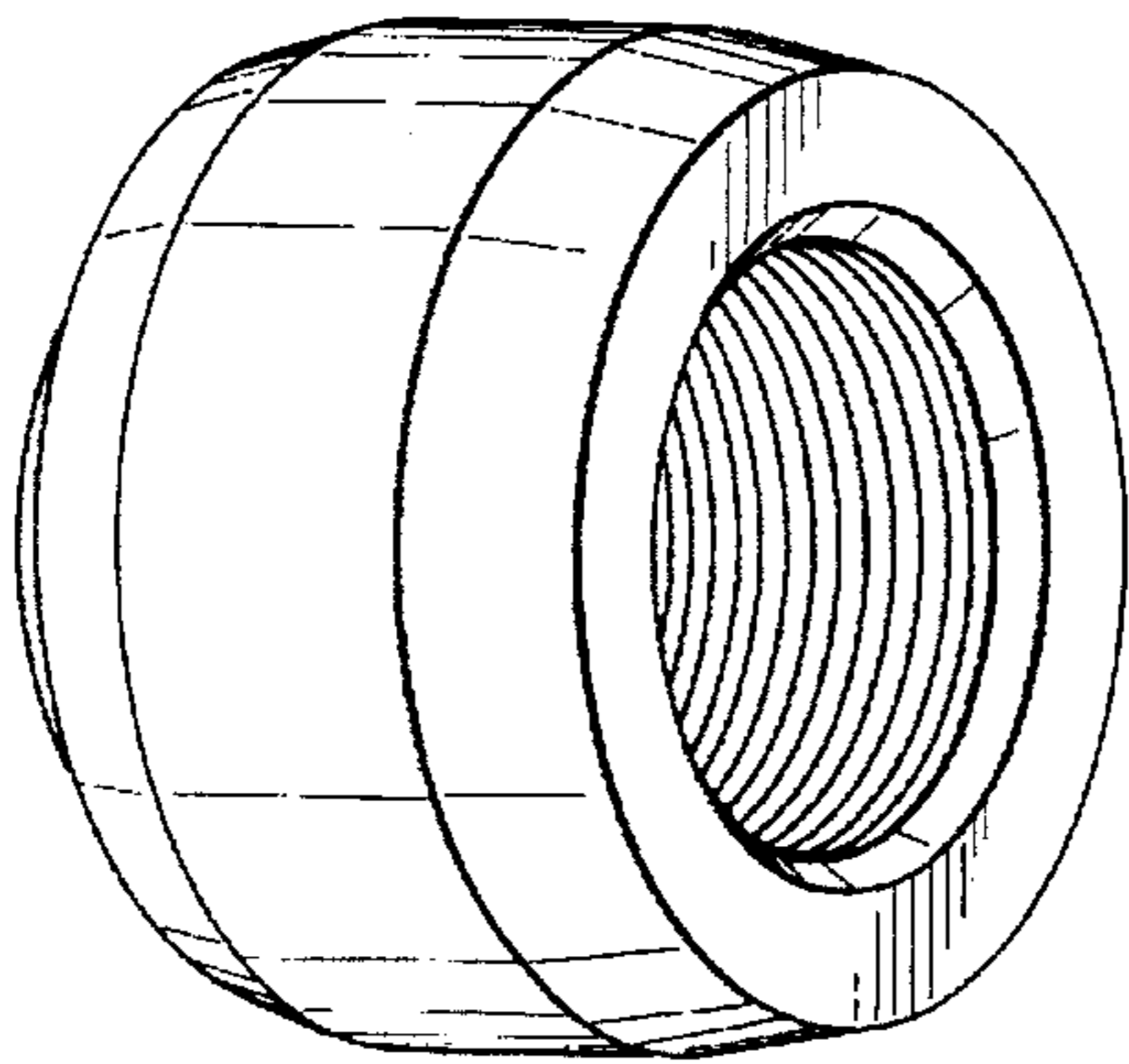


FIG. 3

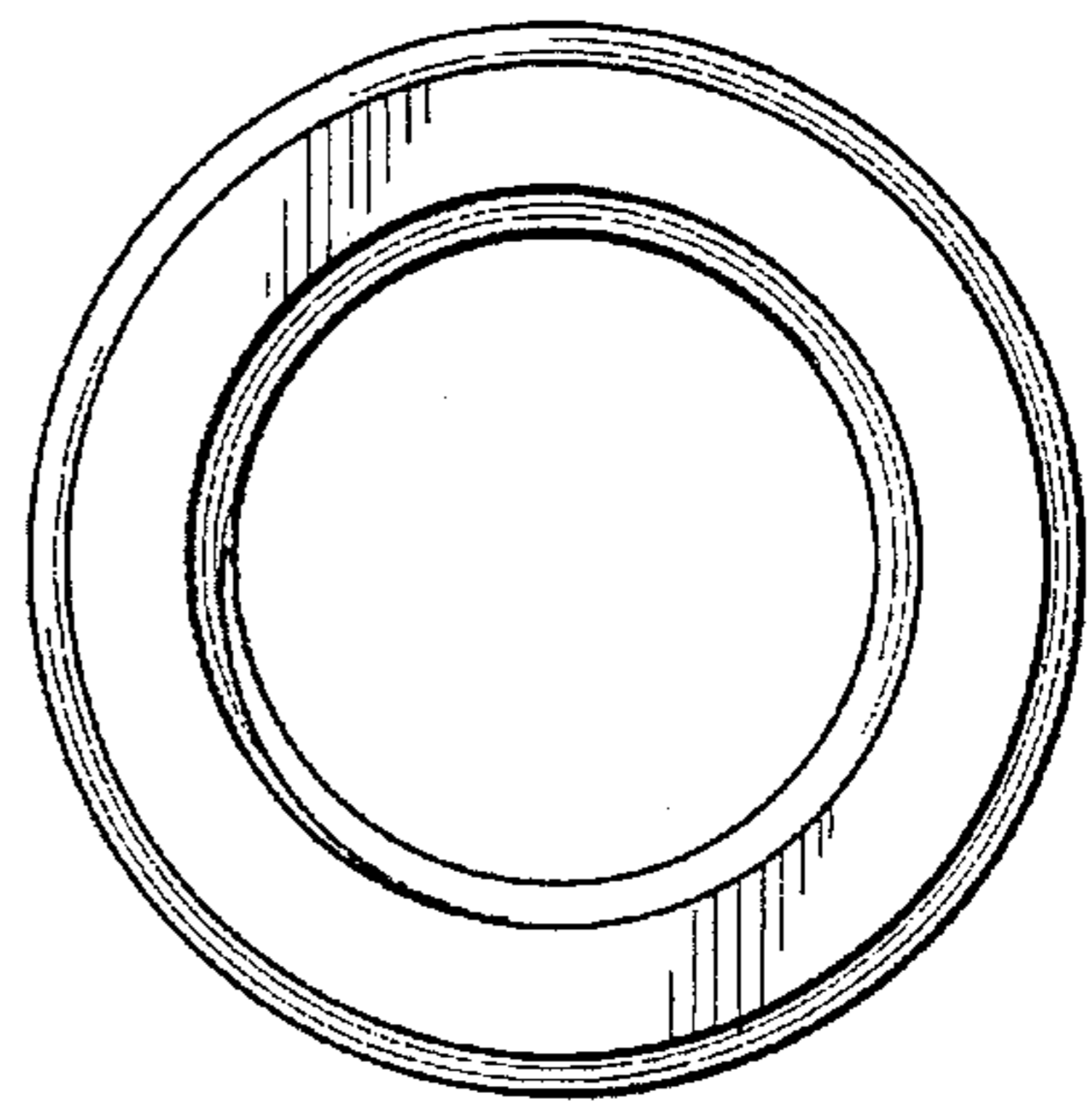


FIG. 4

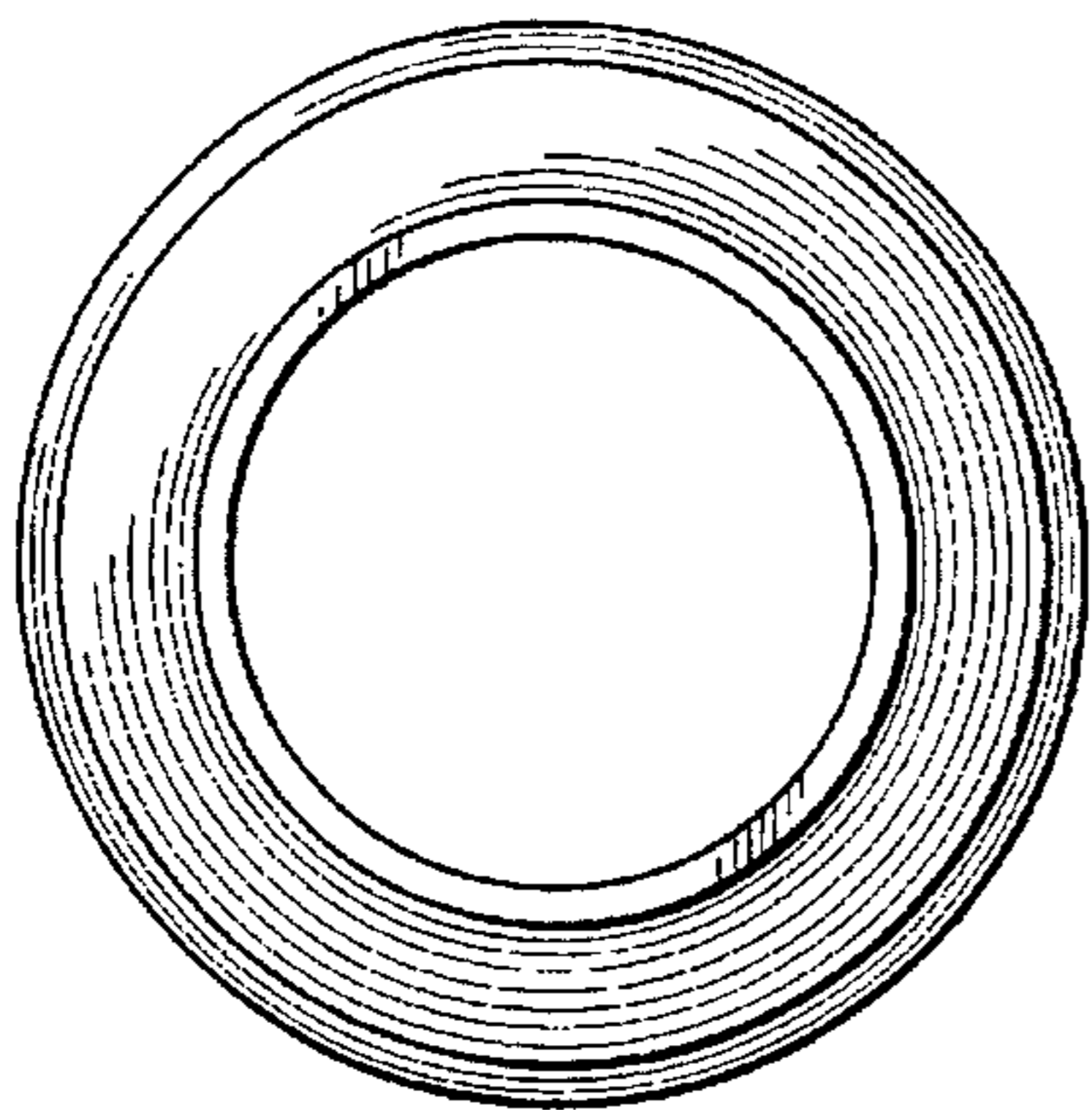


FIG. 5

