

US00D383376S

**United States Patent** [19]  
**Vogels**

[11] **Patent Number:** **Des. 383,376**  
[45] **Date of Patent:** **\*\*Sep. 9, 1997**

[54] **SUPPORT FOR A TELEVISION AND AUDIO/VIDEO EQUIPMENT**

[75] **Inventor:** **Henricus Hyacinthus Vogels,**  
Hondsruglaan, Netherlands  
[73] **Assignee:** **Vogel's Holding B.V.,** Eindhoven,  
Netherlands  
[\*\*] **Term:** **14 Years**

[21] **Appl. No.:** **56,392**  
[22] **Filed:** **Jun. 27, 1996**

**Related U.S. Application Data**

[62] **Division of Ser. No. 48,116,** Dec. 20, 1995.

[30] **Foreign Application Priority Data**

Jun. 23, 1995 [WO] WIPO ..... DMA/002976

[51] **LOC (6) Cl.** ..... **07-07**

[52] **U.S. Cl.** ..... **D8/363**

[58] **Field of Search** ..... D6/567, 553, 574;  
D8/349, 354-355, 363, 380-387; 248/670,  
220.2, 235, 241, 274, 284, 281.1, 291,  
310; 211/96, 100

[56] **References Cited**

**U.S. PATENT DOCUMENTS**

D. 320,928	10/1991	Boscacci et al. ....	D8/363
D. 352,652	11/1994	Vogels .....	D8/363
4,659,047	4/1987	Haller .....	248/310 X
5,277,392	1/1994	Rossmann et al. ....	248/280.1

*Primary Examiner*—Brian N. Vinson  
*Attorney, Agent, or Firm*—Ladas & Parry

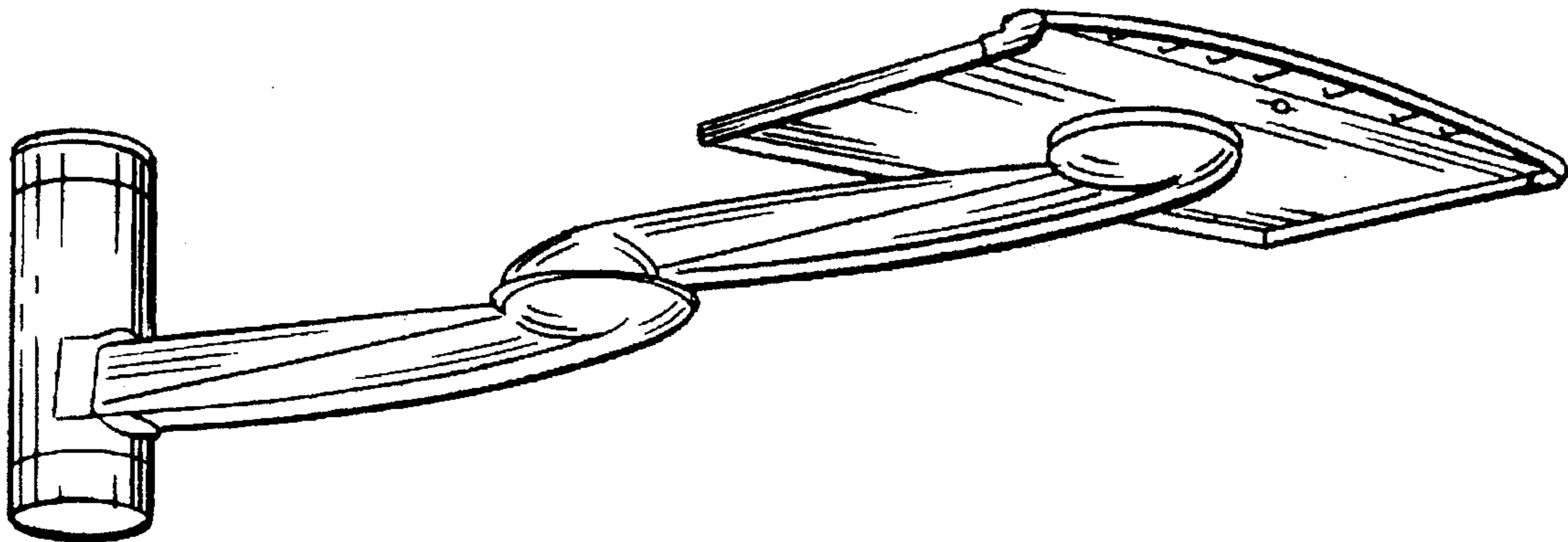
[57] **CLAIM**

The ornamental design for a support for a television and audio/video equipment, as shown.

**DESCRIPTION**

FIG. 1 is a bottom, front, and left side perspective view of a support for a television and audio/video equipment showing my new design;  
FIG. 2 is a left side elevational view thereof;  
FIG. 3 is a front elevational view thereof;  
FIG. 4 is a rear elevational view thereof;  
FIG. 5 is a top plan view thereof; and,  
FIG. 6 is a bottom plan view thereof.

**1 Claim, 3 Drawing Sheets**



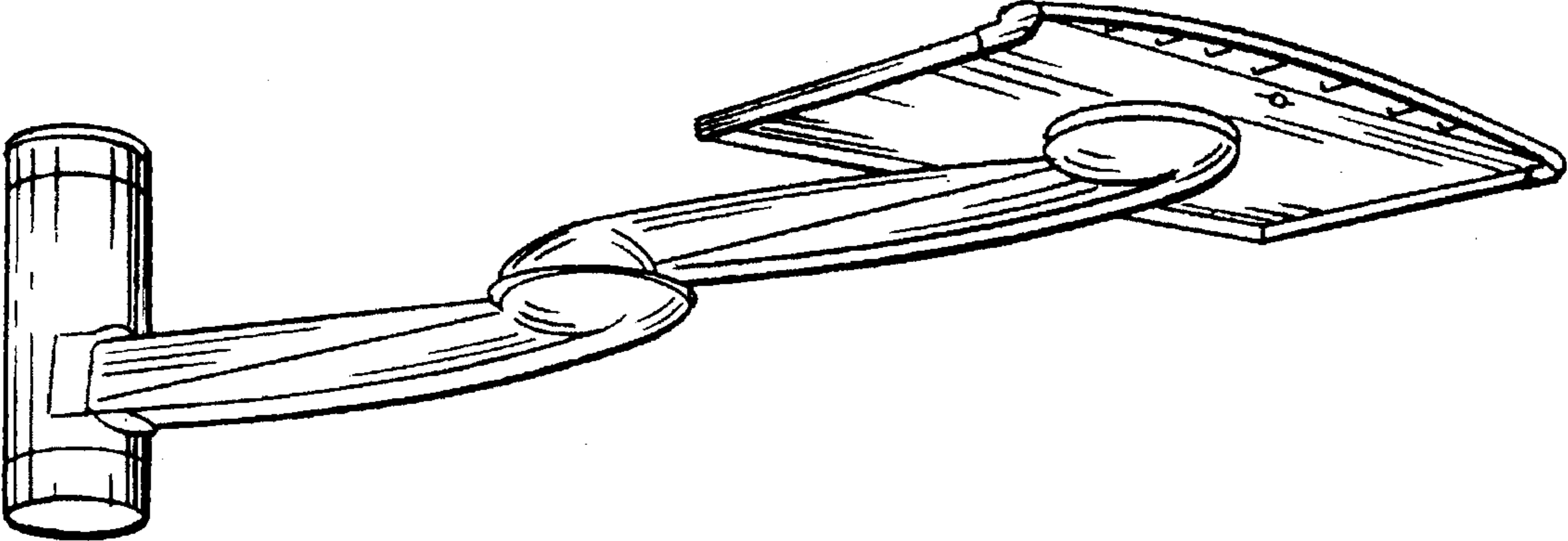


FIG. 1

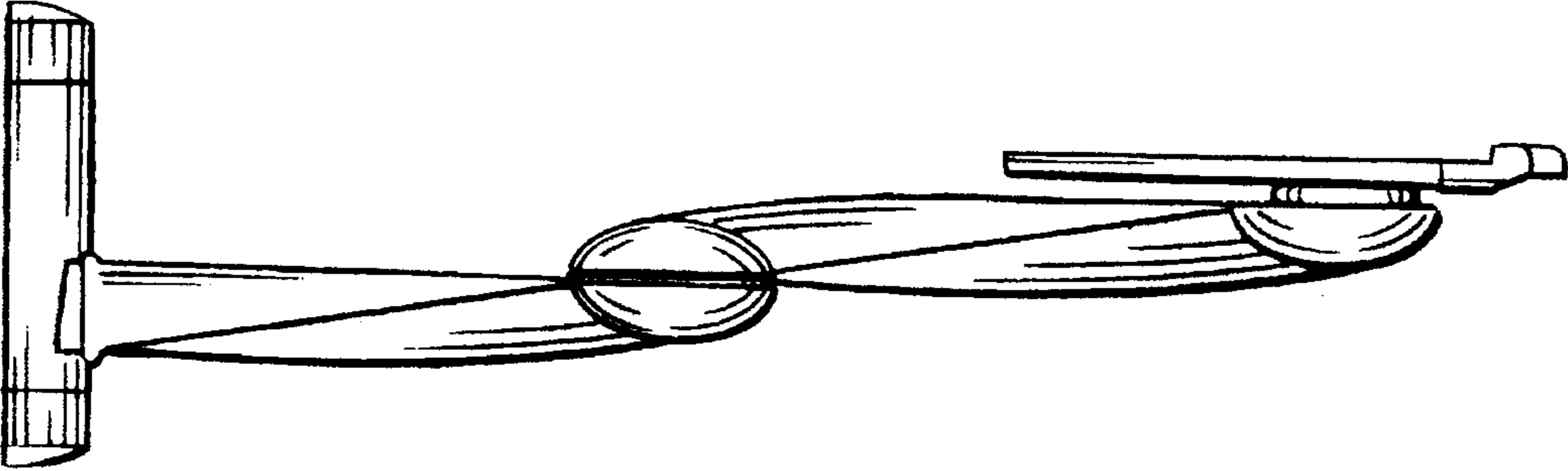


FIG. 2

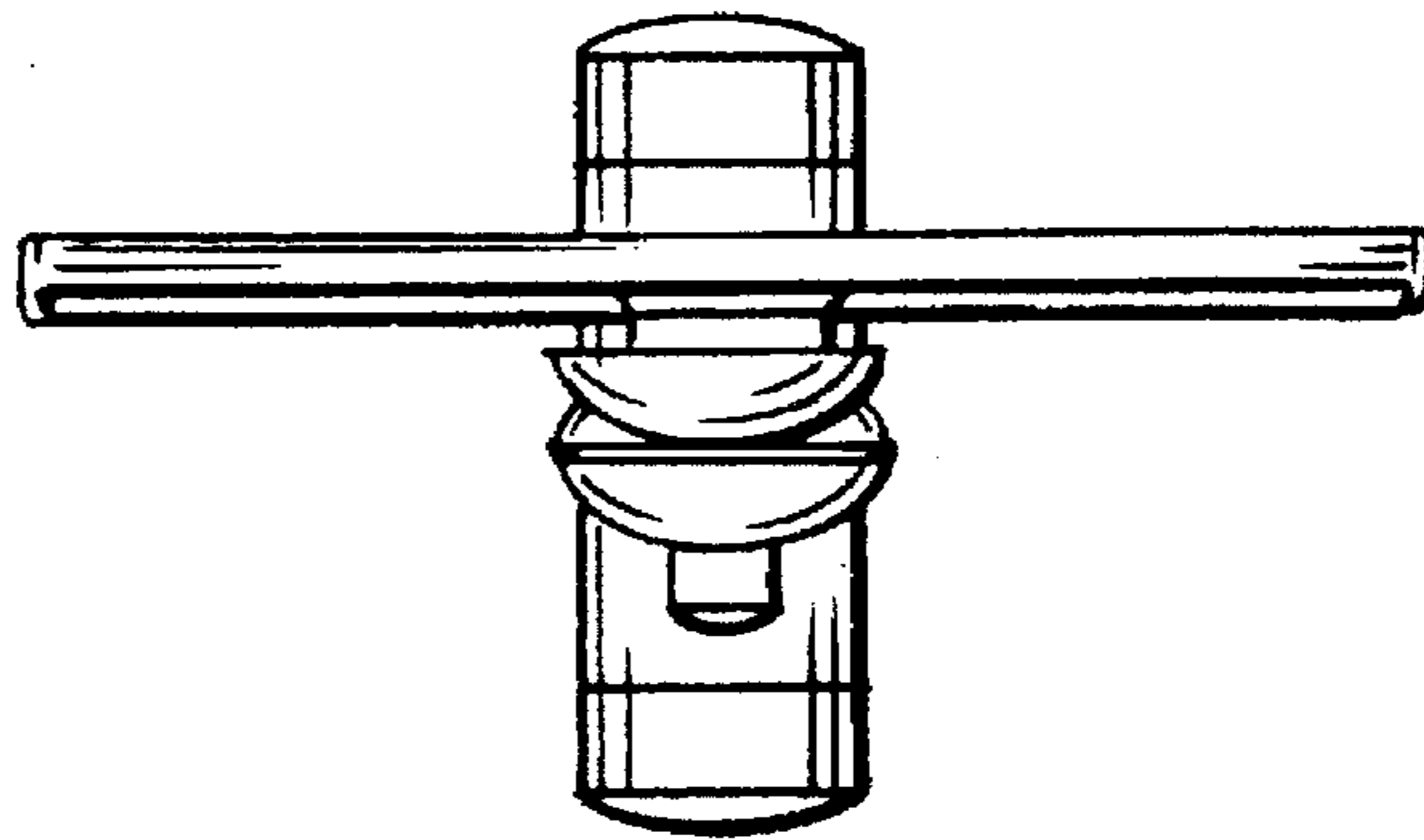


FIG. 3

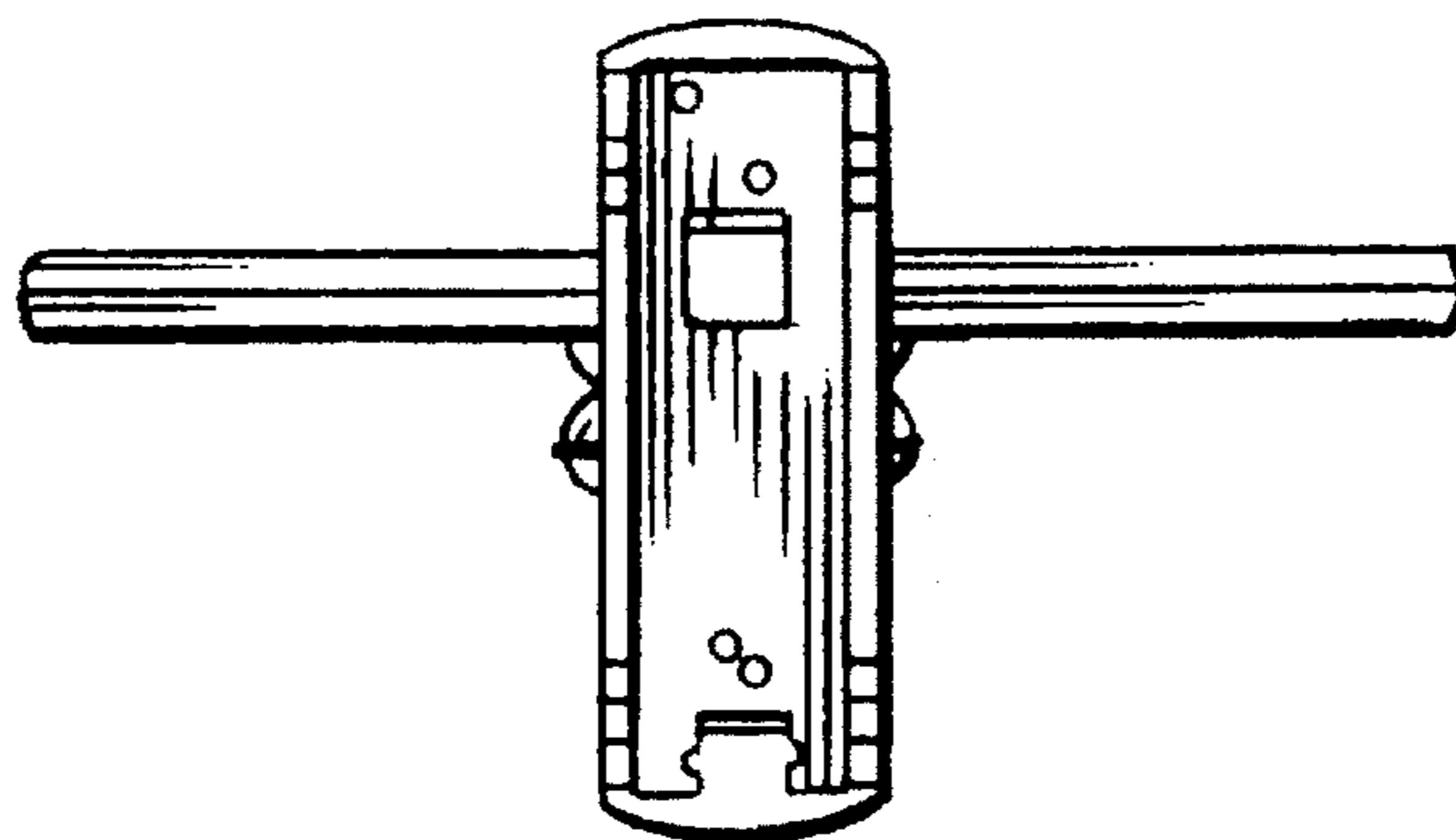


FIG. 4

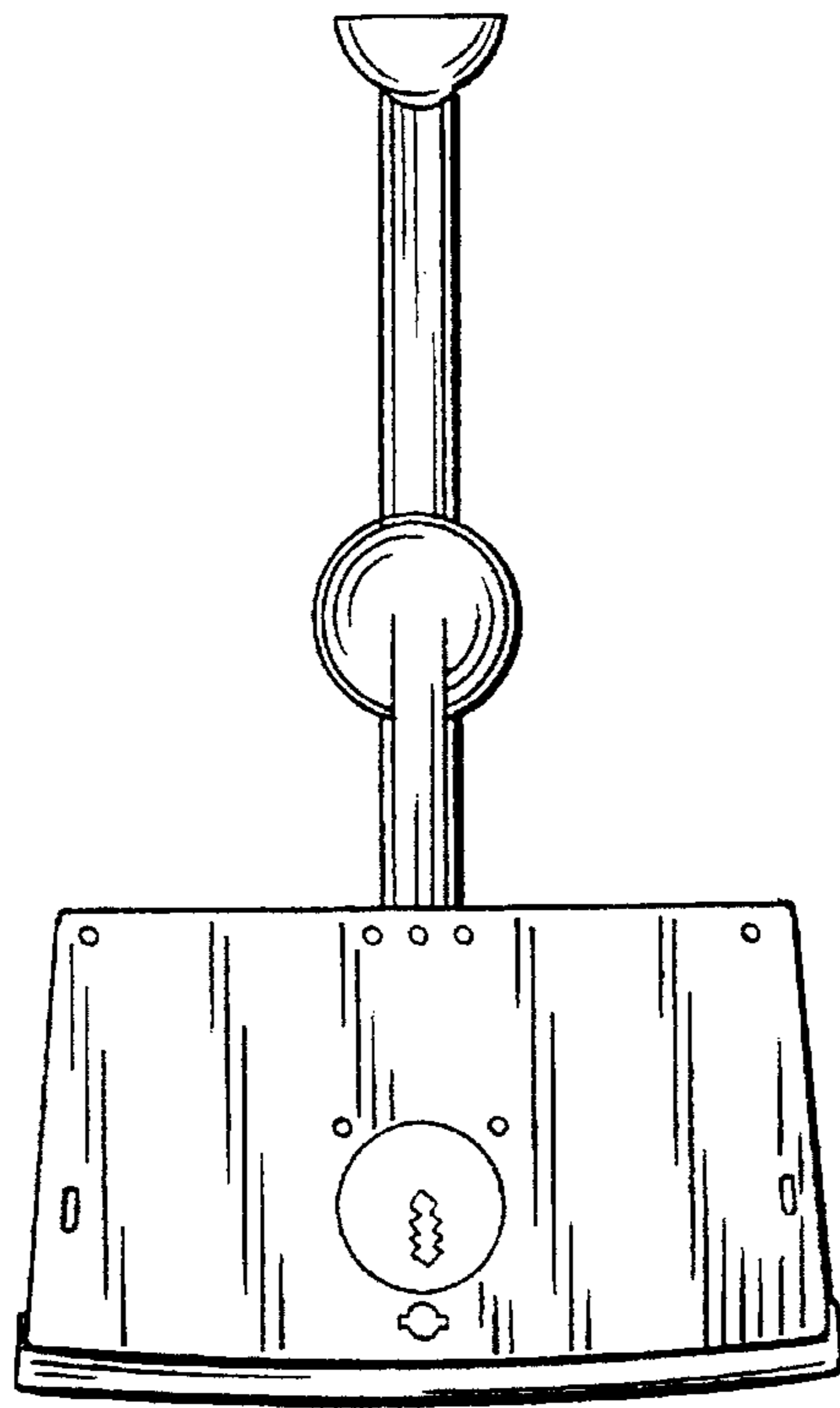


FIG. 5

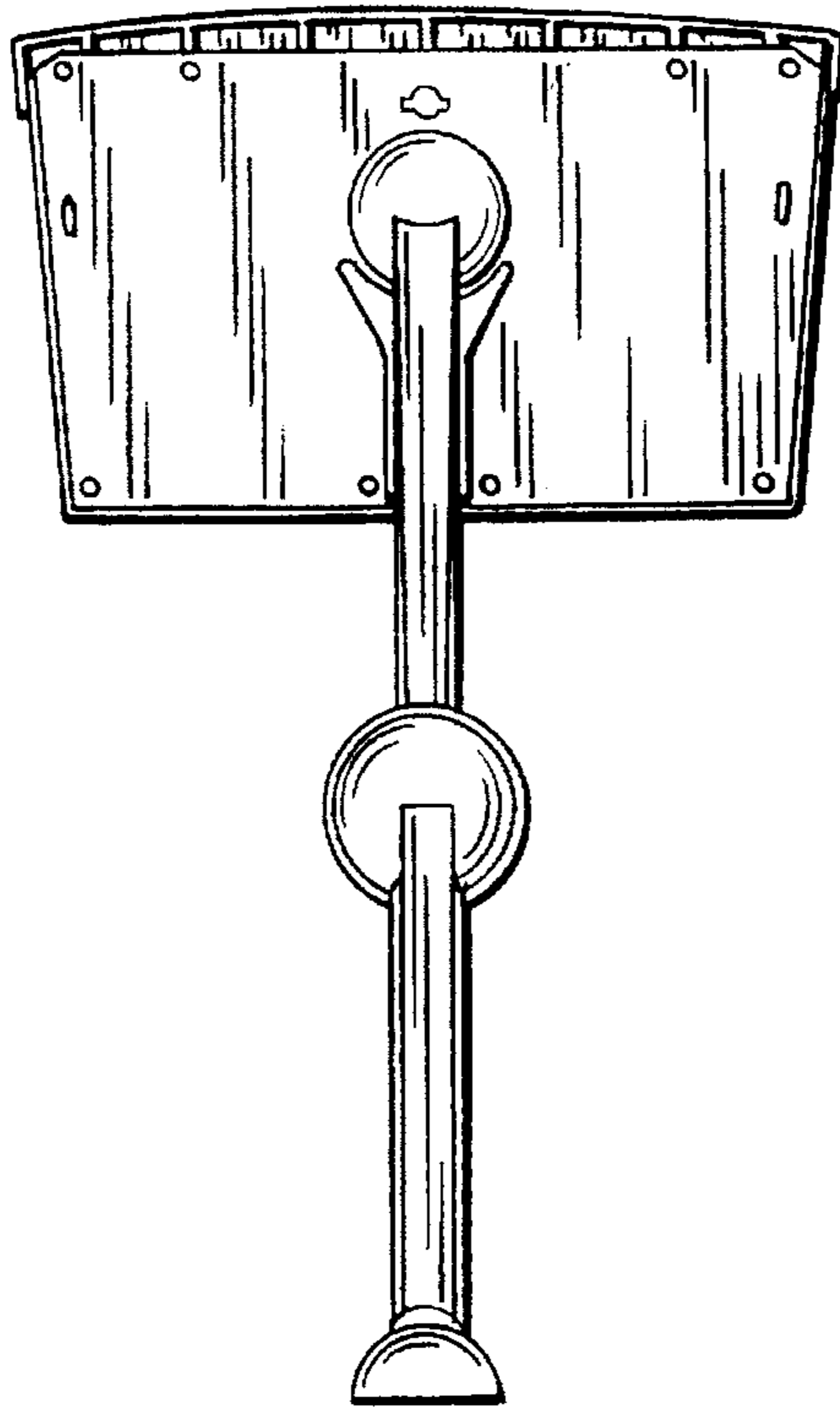


FIG. 6