



US00D383375S

United States Patent [19]

Erskine et al.

[11] Patent Number: **Des. 383,375**

[45] Date of Patent: ****Sep. 9, 1997**

[54] **GUIDEWIRE RETENTION DEVICE**

D. 357,734 4/1995 Mongeon D24/129
4,729,534 3/1988 Hill et al. 248/56

[75] Inventors: **Timothy J. Erskine; Glade H. Howell; Kenneth C. Musgrave**, all of Sandy, Utah

Primary Examiner—Holly Baynham
Attorney, Agent, or Firm—Eric M. Lee, Esq.

[73] Assignee: **Becton Dickinson and Company**, Franklin Lakes, N.J.

[57] **CLAIM**

[**] Term: **14 Years**

The ornamental design for a guidewire retention device, as shown and described.

[21] Appl. No.: **50,883**

DESCRIPTION

[22] Filed: **Feb. 29, 1996**

FIG. 1 is a front perspective view of a guidewire retention device showing our new design;

[51] LOC (6) Cl. **08-08**

FIG. 2 is a rear perspective view thereof;

[52] U.S. Cl. **D8/356**

FIG. 3 is a top plan view thereof;

[58] Field of Search D8/356; D24/129;
D13/154-155; 248/56, 68.1, 74.1-74.4;
174/153 G

FIG. 4 is a bottom plan view thereof;

FIG. 5 is a front end elevational view thereof;

FIG. 6 is a side elevational view thereof; and,

FIG. 7 is a rear end elevational view thereof.

[56] **References Cited**

U.S. PATENT DOCUMENTS

D. 303,713 9/1989 Goldberg D24/129

1 Claim, 2 Drawing Sheets

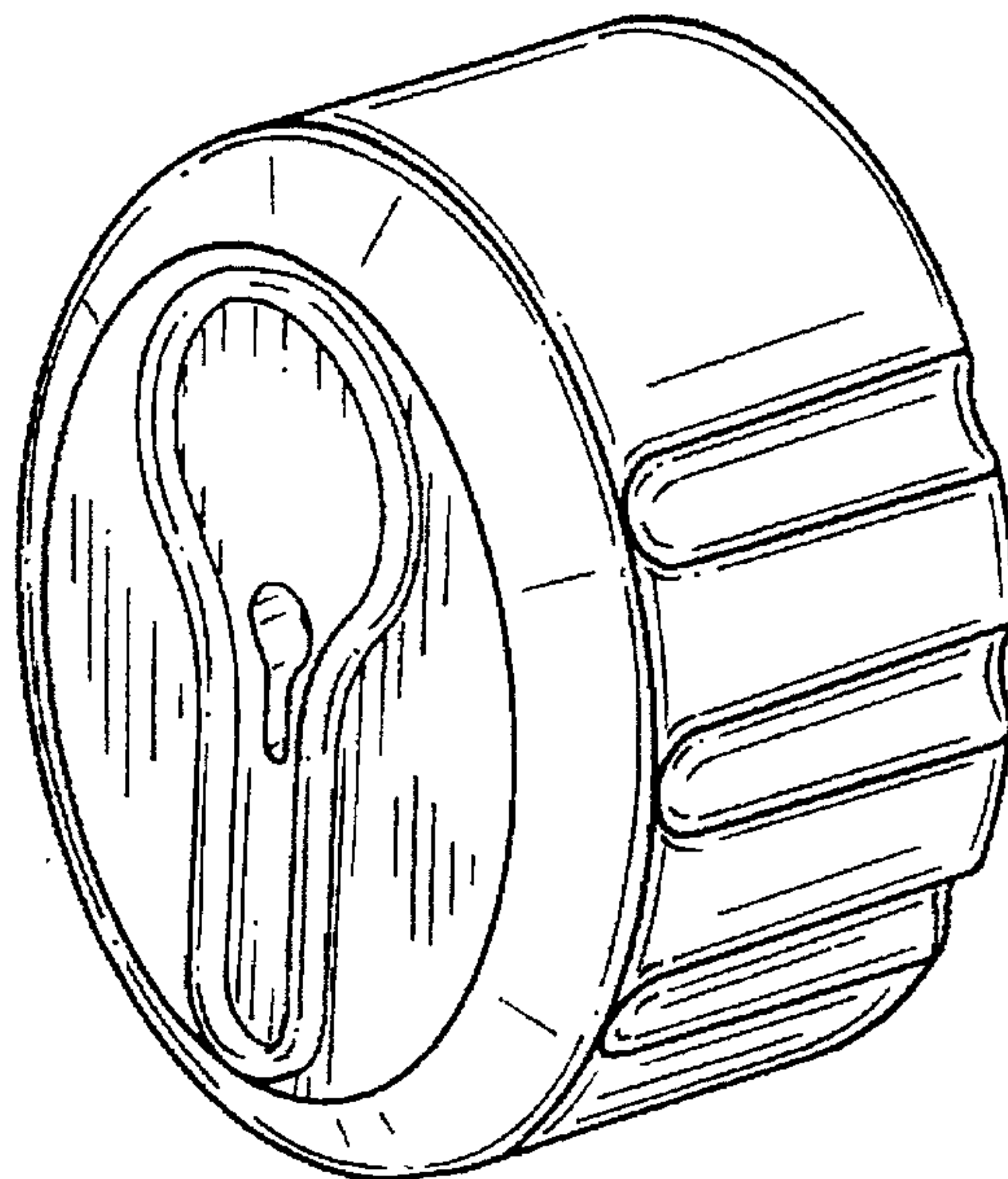
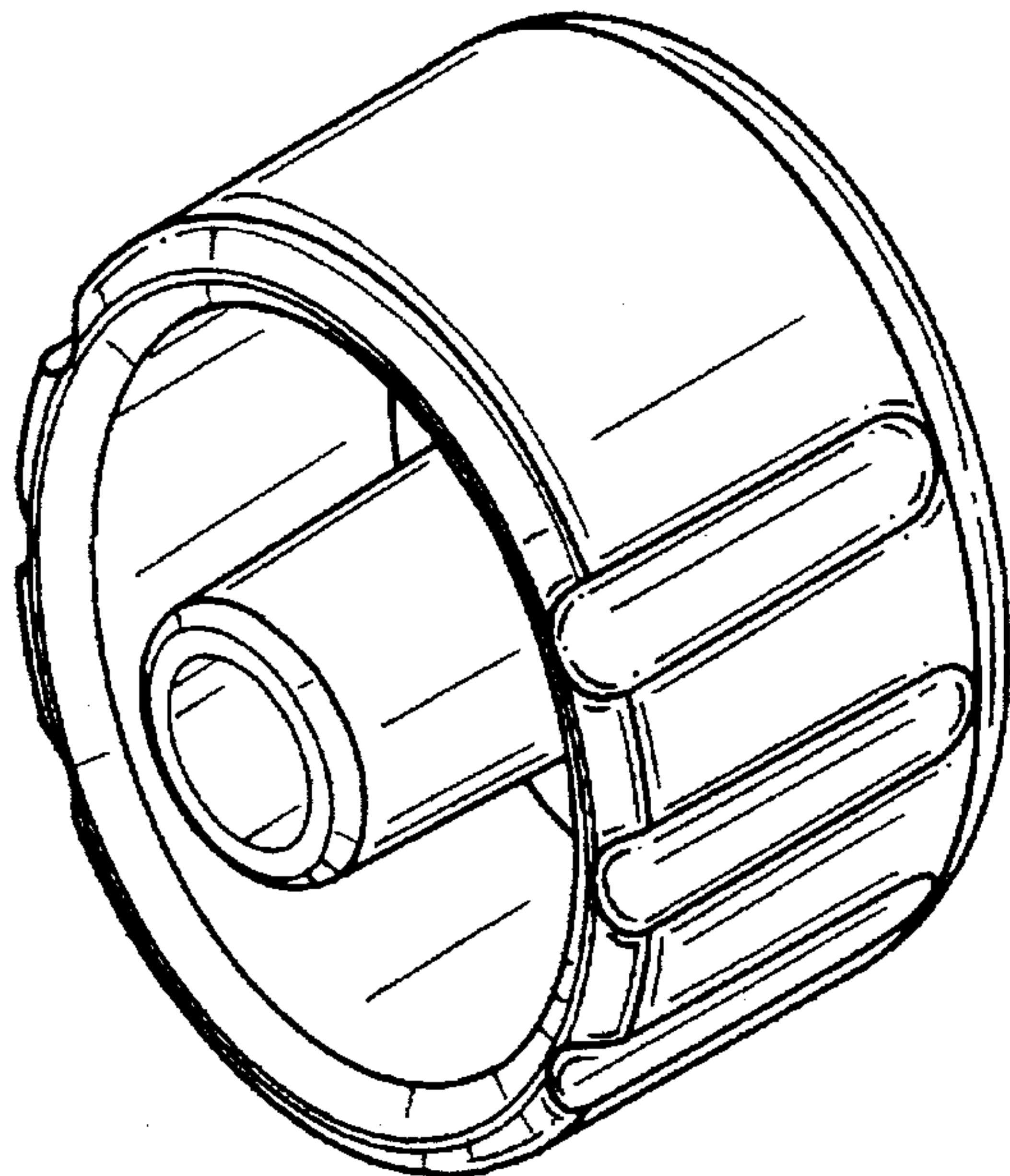


FIG-1

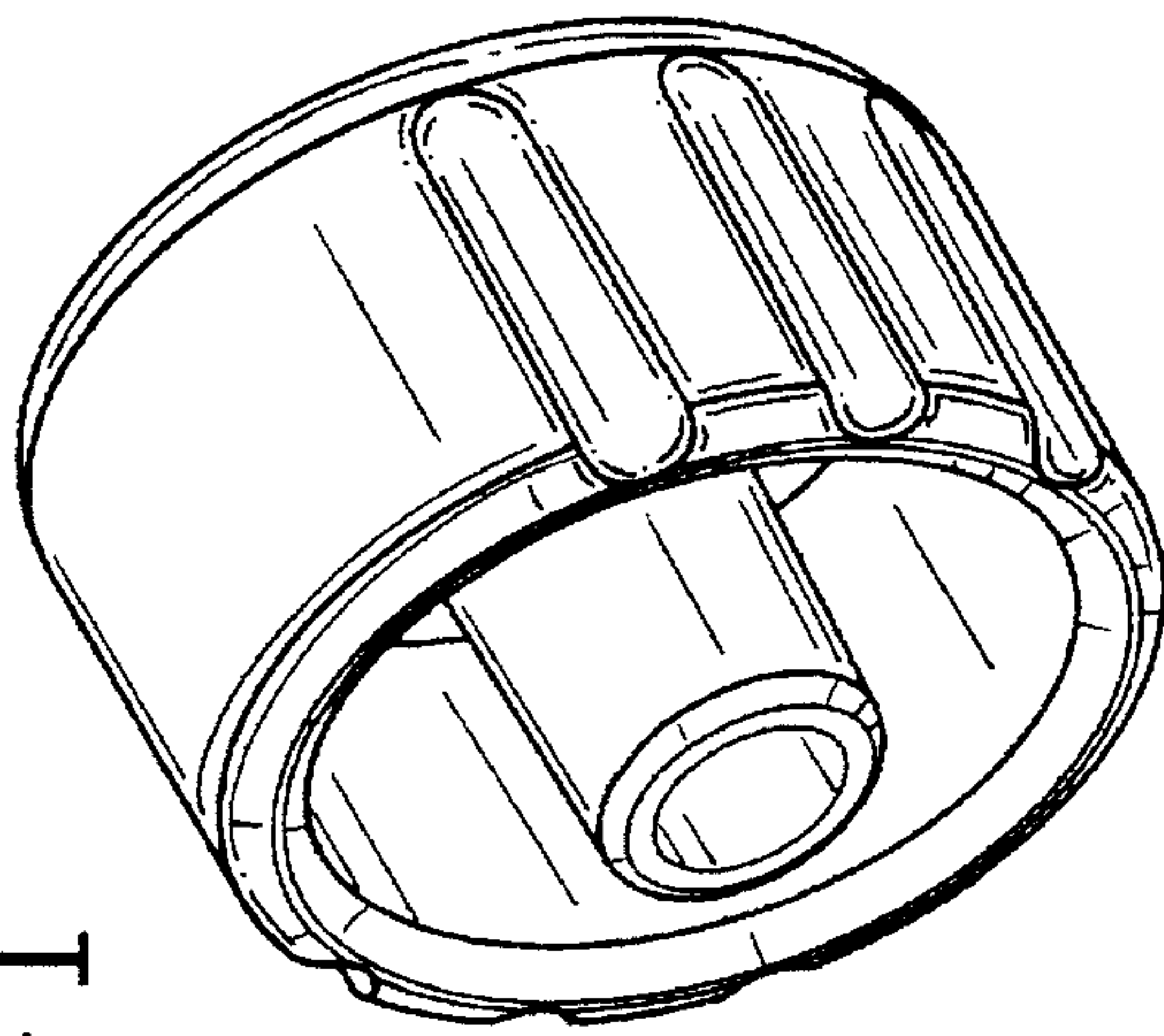


FIG-2

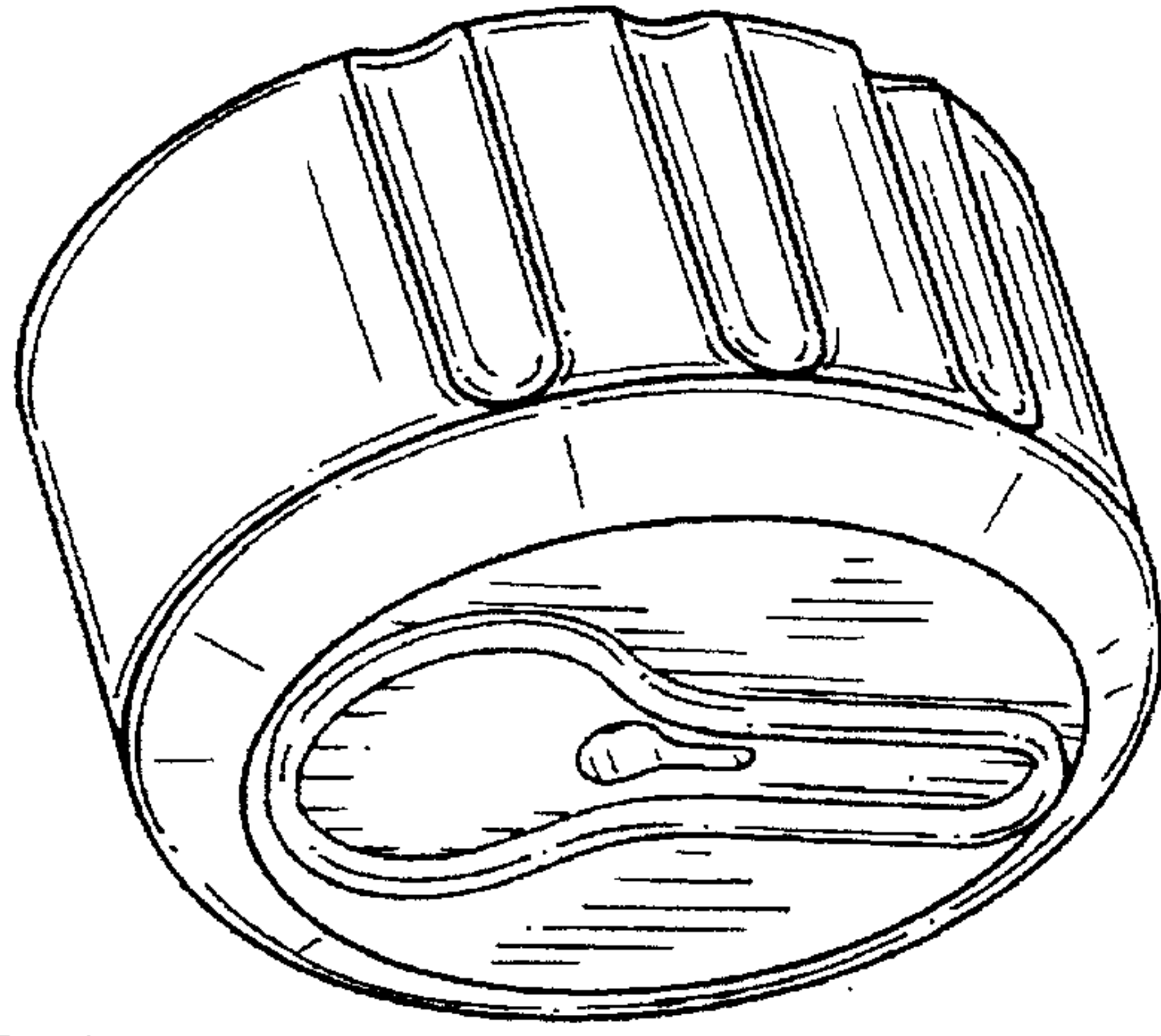


FIG-3

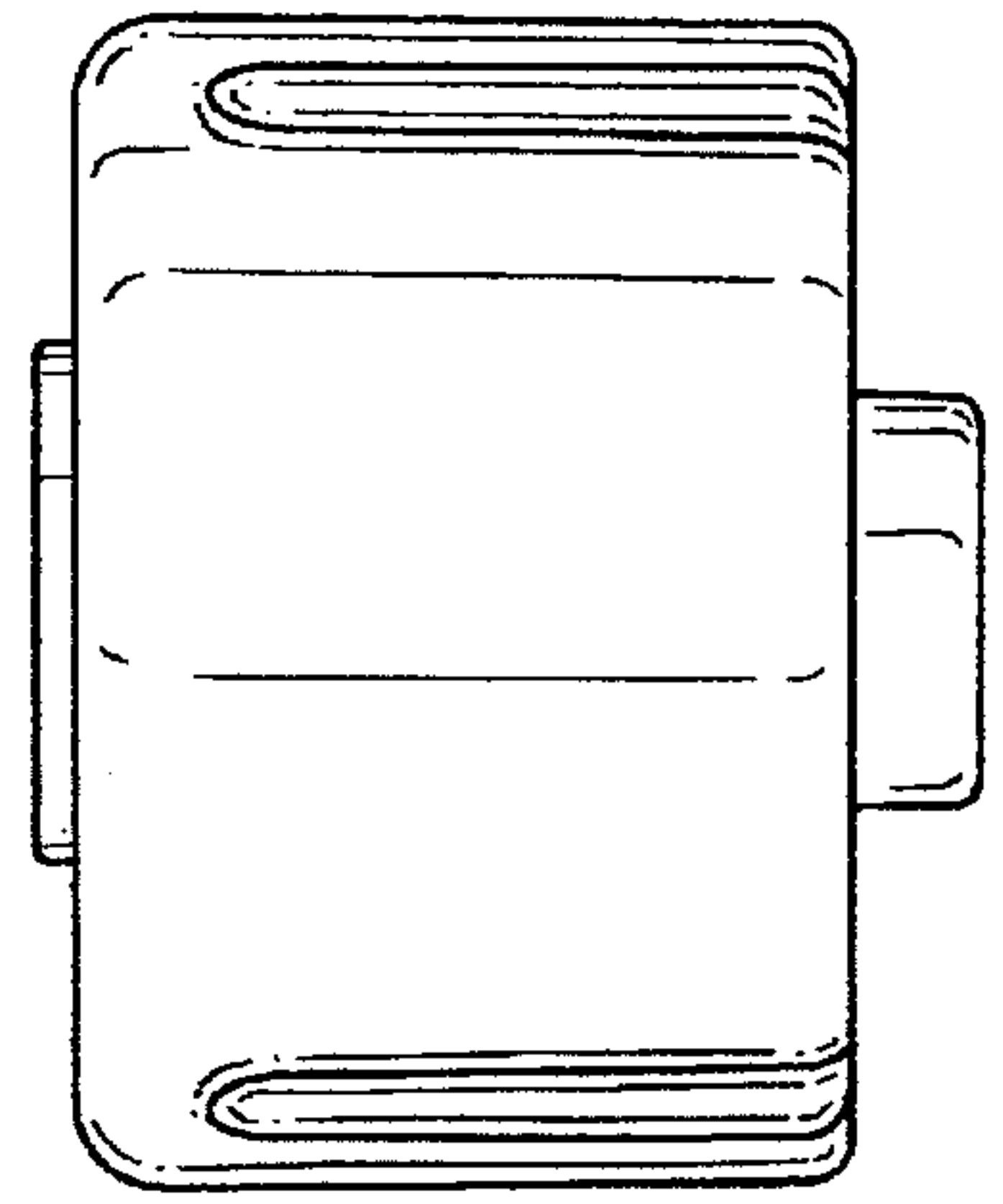


FIG-4

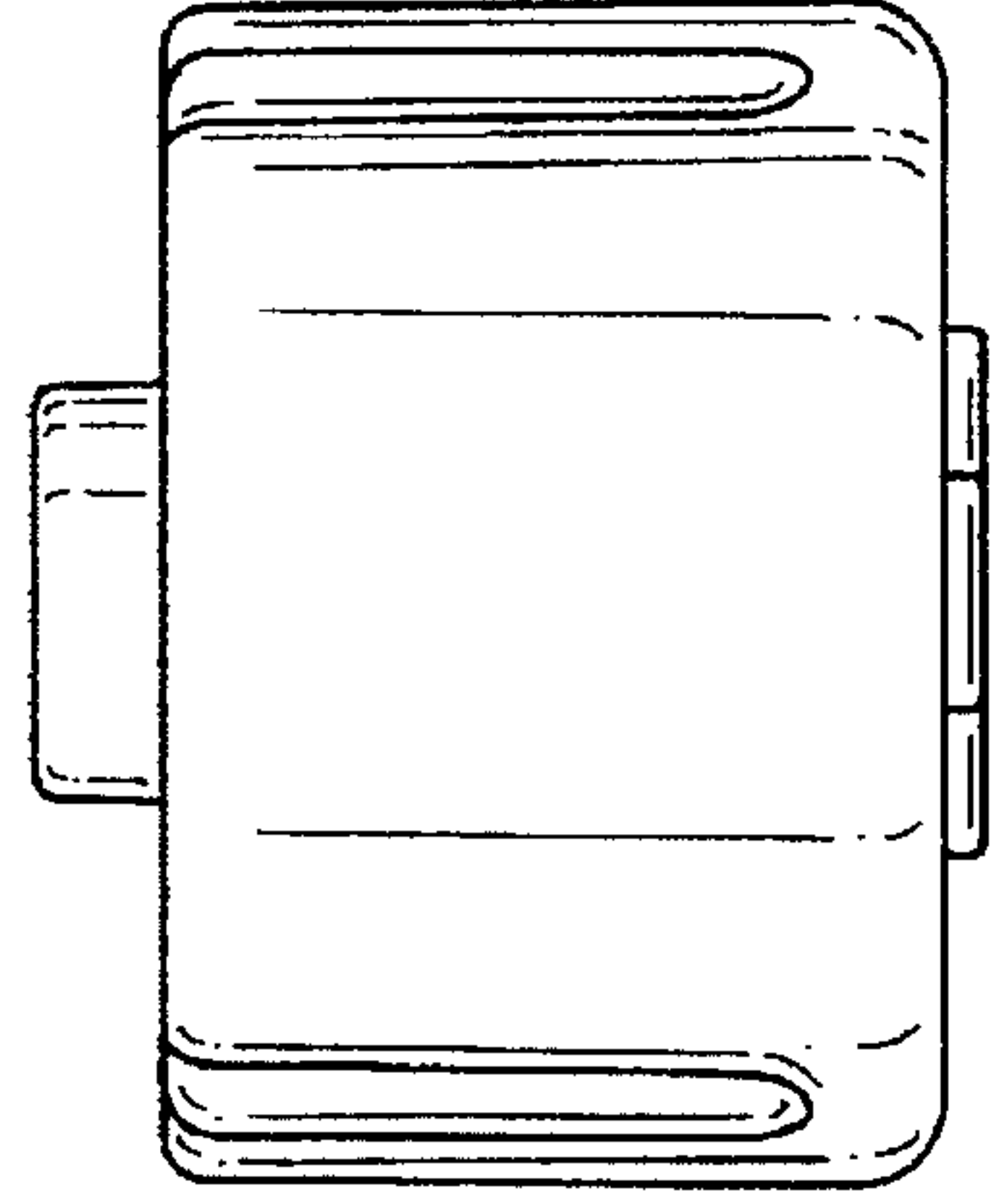


FIG--5

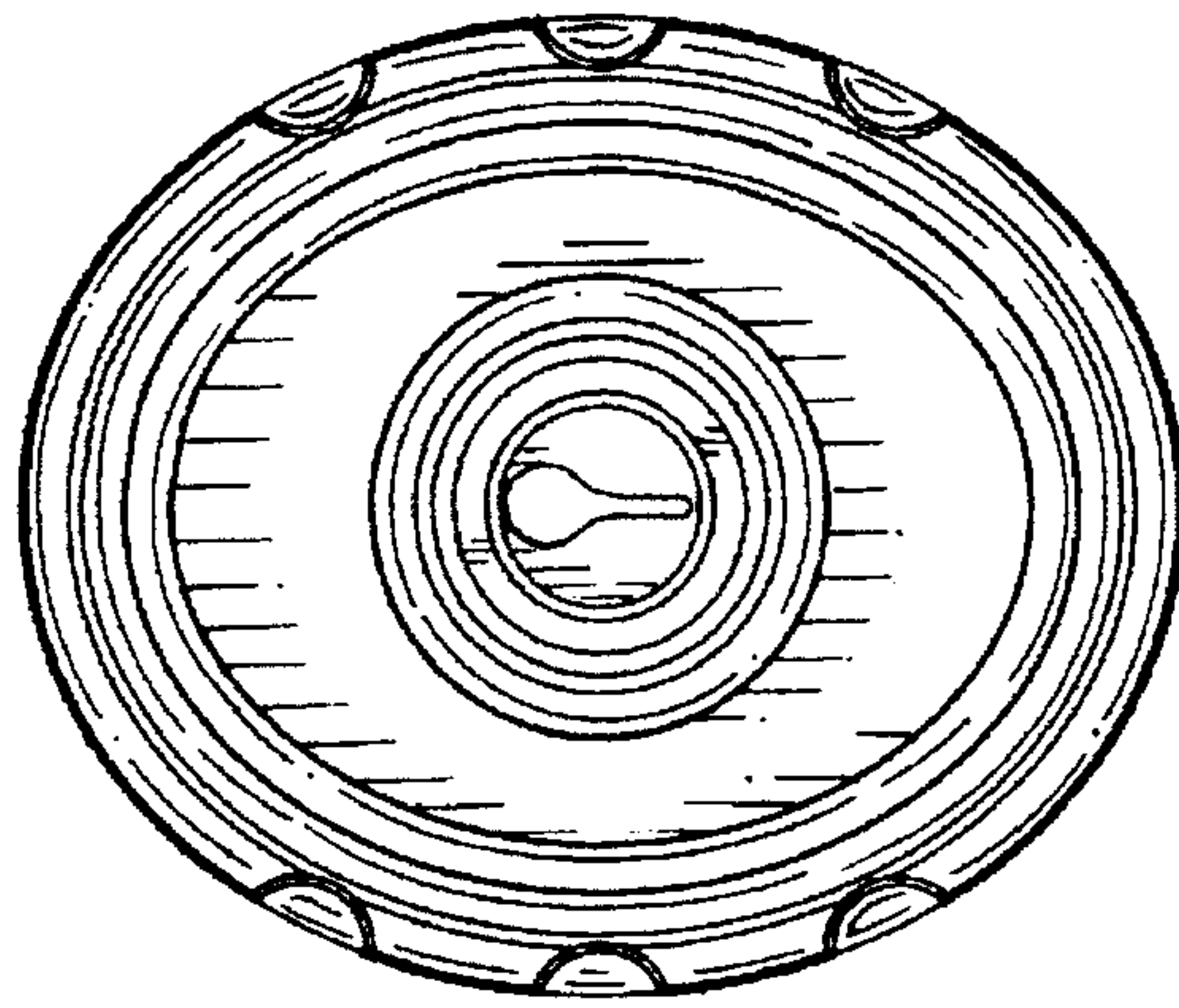


FIG--6

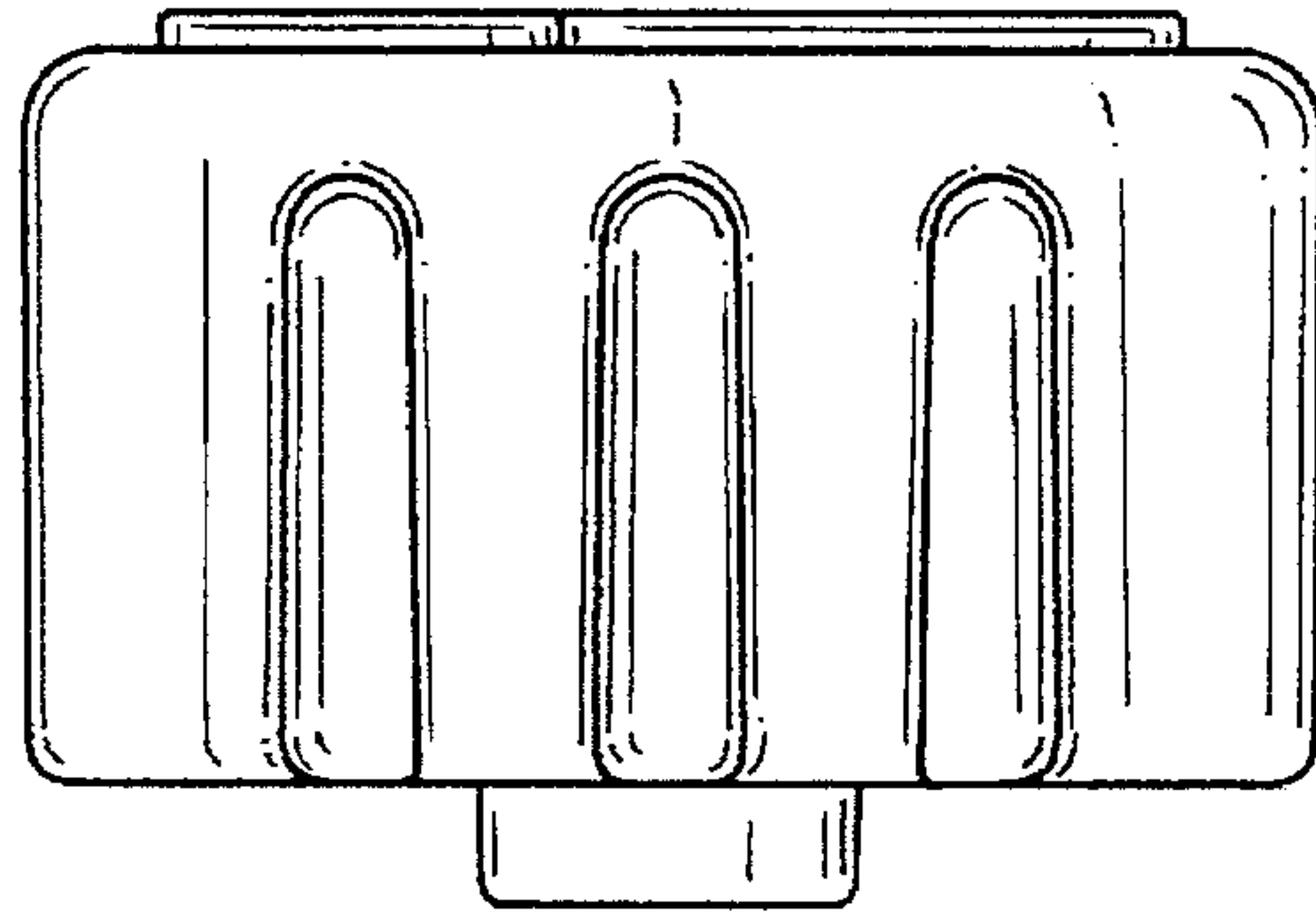


FIG--7

