



US00D383374S

**United States Patent** [19]  
**Sammann**

[11] **Patent Number:** **Des. 383,374**  
[45] **Date of Patent:** **\*\*Sep. 9, 1997**

[54] **ANGLE BRACKET**

*Primary Examiner*—Holly Baynham

[76] **Inventor:** **Charles C. Sammann**, P.O. Box 845,  
Canyon, Tex. 79015

[57] **CLAIM**

[\*\*] **Term:** **14 Years**

The ornamental design for an angle bracket, as shown and described.

[21] **Appl. No.:** **57,043**

**DESCRIPTION**

[22] **Filed:** **Jul. 15, 1996**

FIG. 1 is a perspective view of an angle bracket showing my new design the broken line showing the attached members is for illustrative purposes only and forms no part of the claimed design;

[51] **LOC (6) Cl.** ..... **08-05**

[52] **U.S. Cl.** ..... **D8/354**

[58] **Field of Search** ..... D8/354, 349; 248/200,  
248/300; 403/234, 403, 205

FIG. 2 is a front elevational view thereof;

FIG. 3 is a rear elevational view thereof;

FIG. 4 is a top plan view thereof;

FIG. 5 is a bottom plan view thereof;

FIG. 6 is left end elevational view thereof; and,

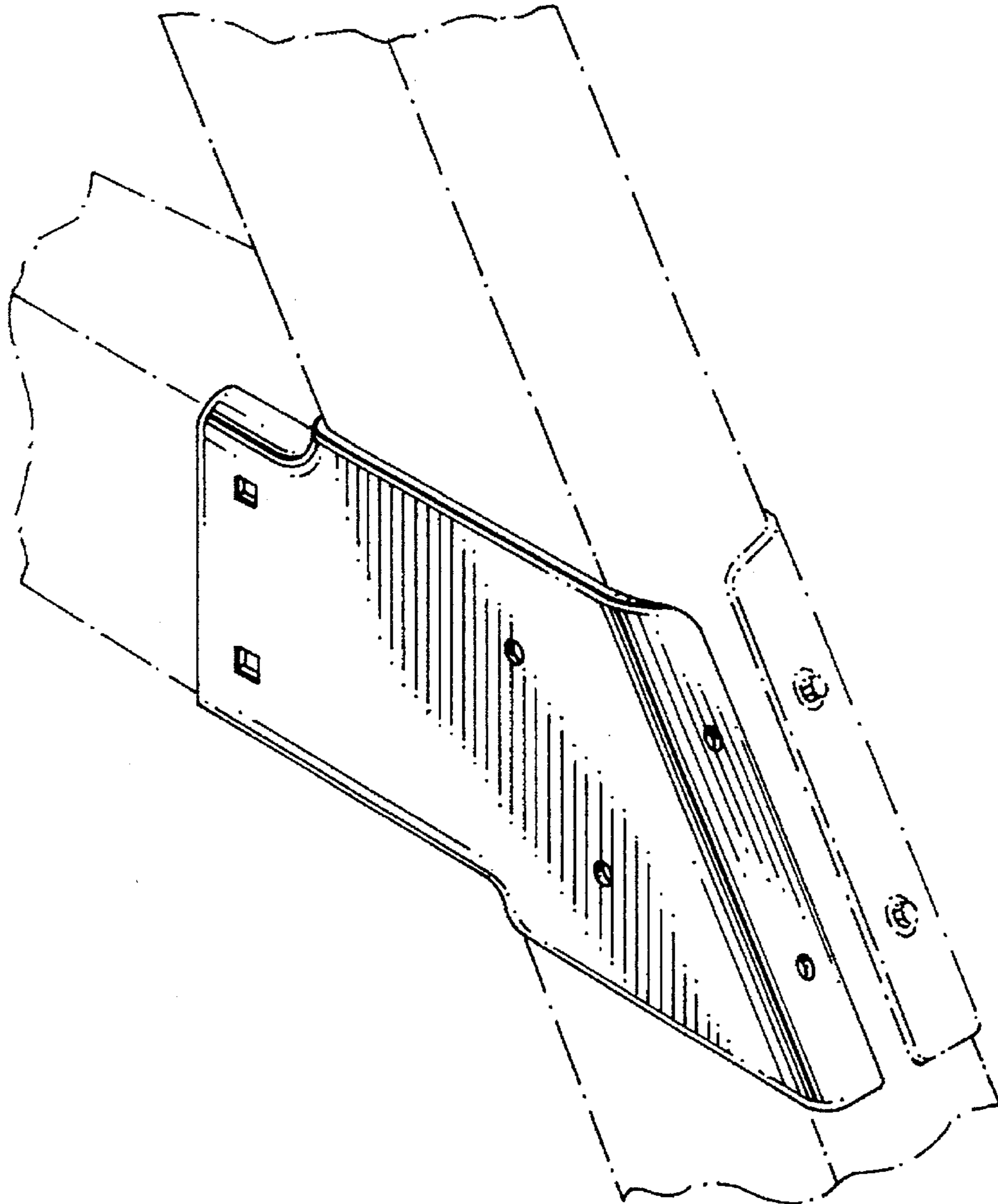
FIG. 7 is a right end elevational view thereof.

[56] **References Cited**

**U.S. PATENT DOCUMENTS**

1,957,362	5/1934	Smith	.....	403/205	X
5,390,968	2/1995	Favalora	.....	403/205	X
5,403,110	4/1995	Sammann	.....	403/234	

**1 Claim, 1 Drawing Sheet**



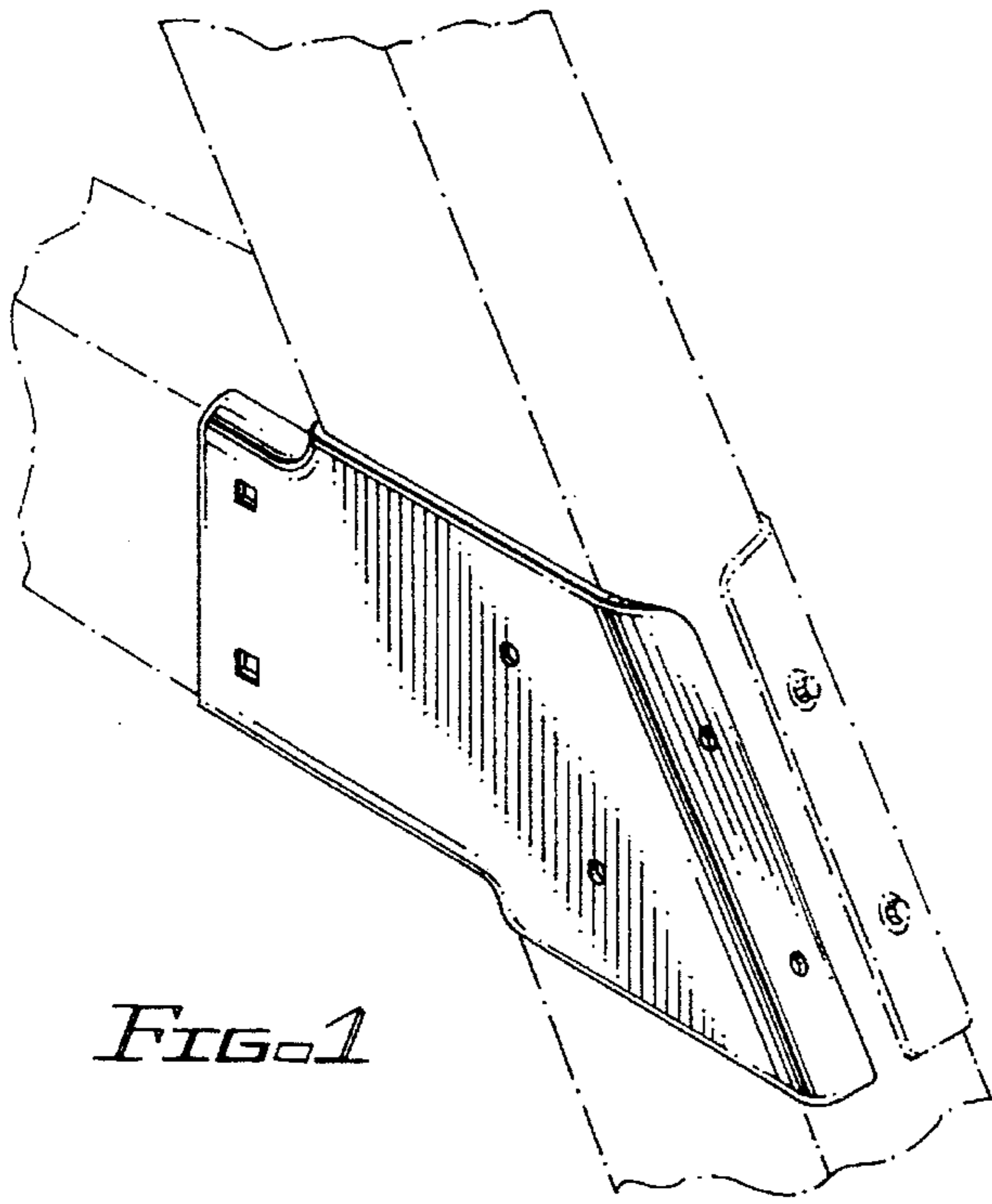


FIG. 1

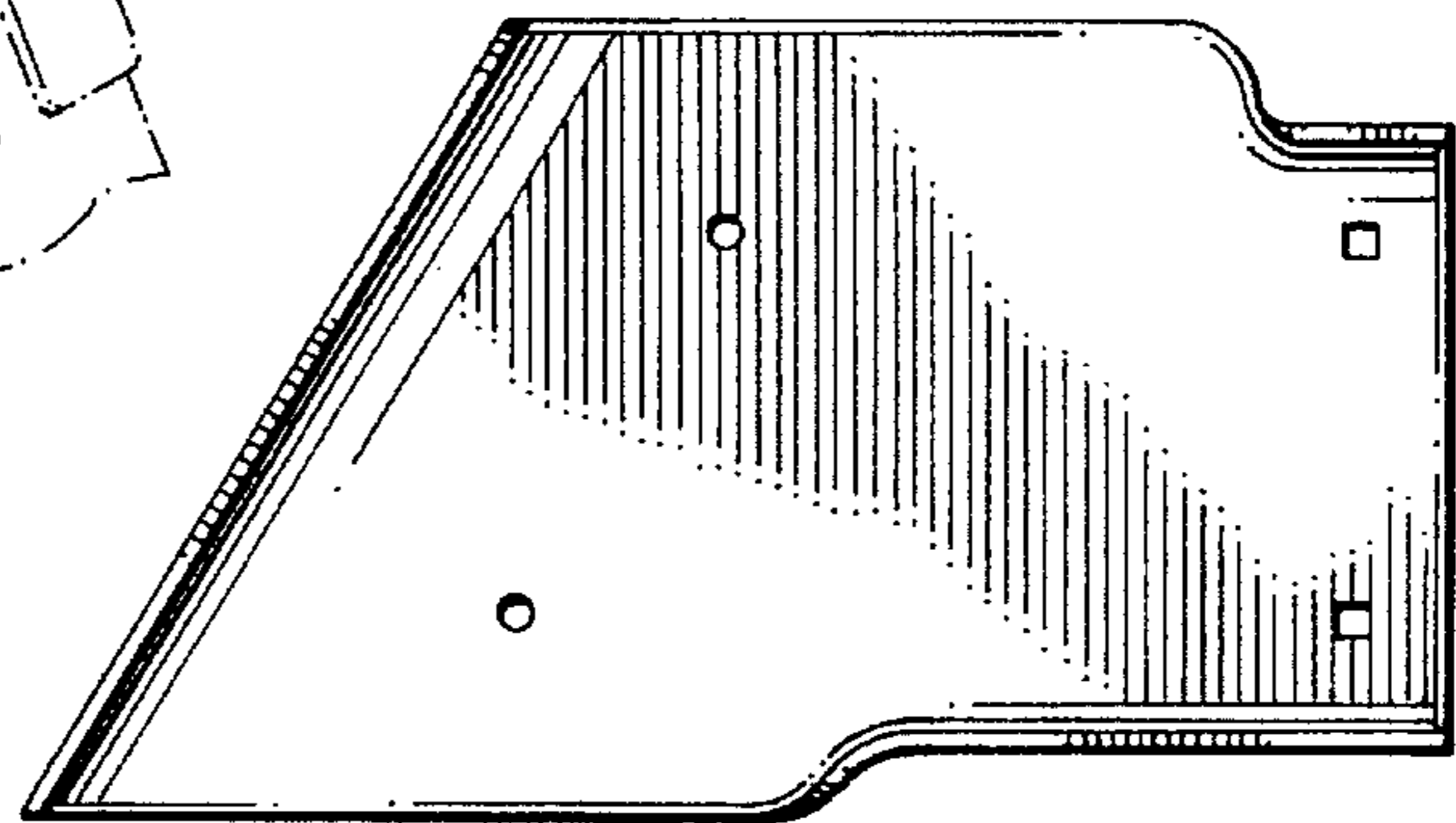


FIG. 3

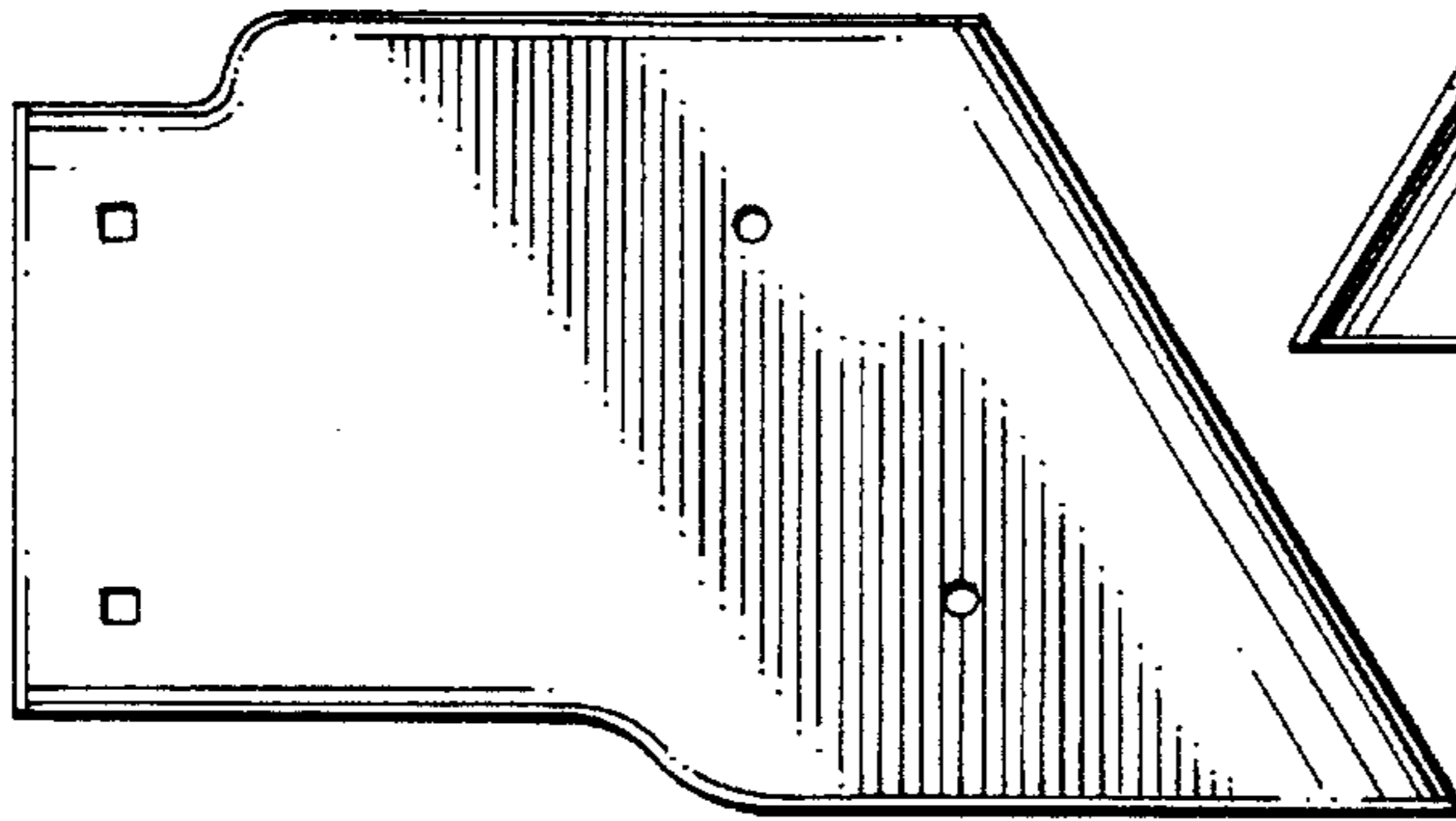


FIG. 2



FIG. 4



FIG. 5



FIG. 6



FIG. 7