



US00D383373S

United States Patent [19]

[11] Patent Number: **Des. 383,373**

Boeshart

[45] Date of Patent: ****Sep. 9, 1997**

[54] **TIE FOR CONCRETE FORMING SYSTEM**

5,039,058 8/1991 Boeshart 249/194
5,390,459 2/1995 Menson 52/426

[76] Inventor: **Patrick E. Boeshart**, P.O. Box 774,
Sioux City, Iowa 51102

Primary Examiner—Holly Baynham
Attorney, Agent, or Firm—Zarley, McKee, Thomte
Voorhees & Sease; Mark D. Frederiksen

[**] Term: **14 Years**

[21] Appl. No.: **51,587**

[57] **CLAIM**

[22] Filed: **Mar. 14, 1996**

The ornamental design for a tie for concrete forming system,
as shown and described.

[51] LOC (6) Cl. **08-05**

[52] U.S. Cl. **D8/354**

[58] Field of Search D8/354; 52/426,
52/698; D25/199

DESCRIPTION

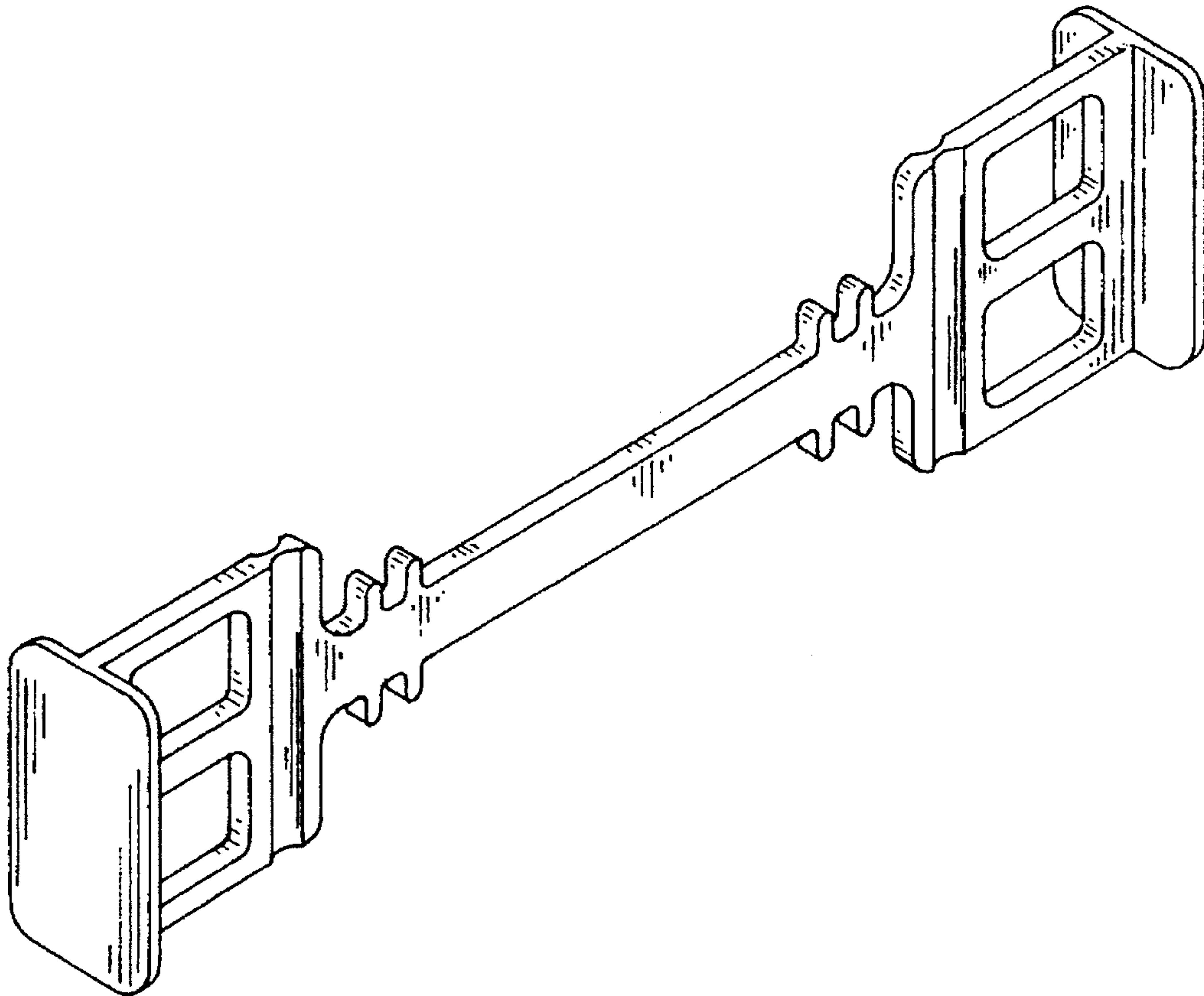
[56] **References Cited**

U.S. PATENT DOCUMENTS

D. 361,710	8/1995	Boeshart	D8/354
4,730,422	3/1988	Young	52/105
4,731,968	3/1988	Obino	52/309.12
4,765,109	8/1988	Boeshart	52/426
4,936,540	6/1990	Boeshart	249/216
4,938,449	7/1990	Boeshart	249/216

FIG. 1 is a perspective view of the tie for a concrete forming system showing my new design;
FIG. 2 is a top elevational view thereof, the bottom elevational view being a mirror image thereof;
FIG. 3 is a front elevational view, the rear elevational view being a mirror image thereof; and,
FIG. 4 is an elevational view taken from the left end of FIG. 3, the right end elevational view being a mirror image thereof.

1 Claim, 1 Drawing Sheet



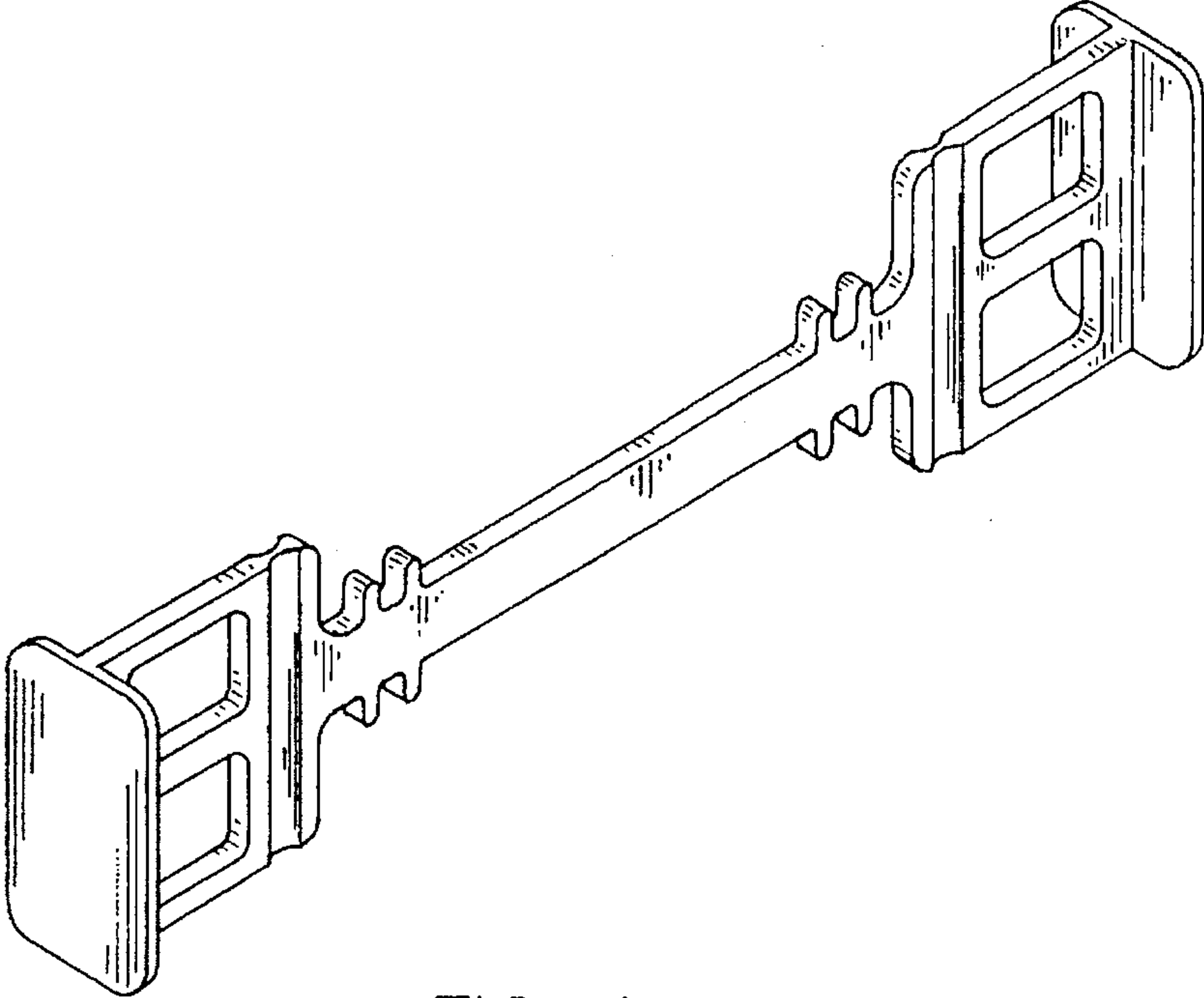


FIG. 1



FIG. 2

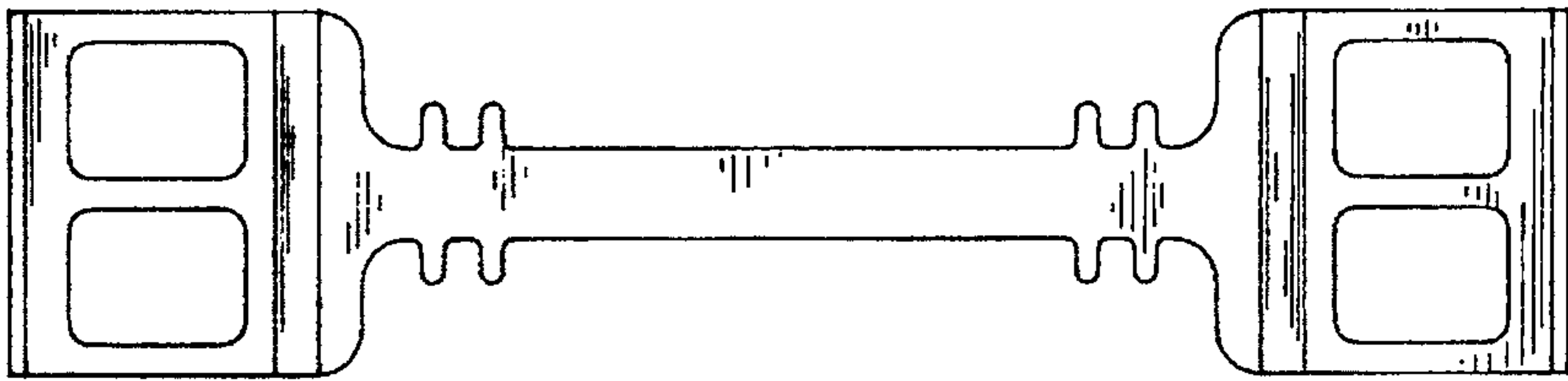


FIG. 3



FIG. 4