



US00D383369S

United States Patent [19]
Galindo

[11] **Patent Number:** **Des. 383,369**
[45] **Date of Patent:** ****Sep. 9, 1997**

[54] **SANDING TOOL**
[76] **Inventor:** **Carlos Galindo**, 513 Fifth St. SE.,
Mason City, Iowa 50401
[**] **Term:** **14 Years**
[21] **Appl. No.:** **47,374**
[22] **Filed:** **Dec. 1, 1995**
[51] **LOC (6) Cl.** **08-05**
[52] **U.S. Cl.** **D8/90**
[58] **Field of Search** D8/90, 14, 45,
D8/107; 451/524, 523, 525, 526, 520, 521,
522

3,871,141 3/1975 Bonapace 451/523
4,694,618 9/1987 Eberhart et al. 451/524
4,995,200 2/1991 Eberhart 451/524

Primary Examiner—Philip S. Hyder
Attorney, Agent, or Firm—Harold H. Dutton, Jr.; Diane F. Liebman

[57] **CLAIM**

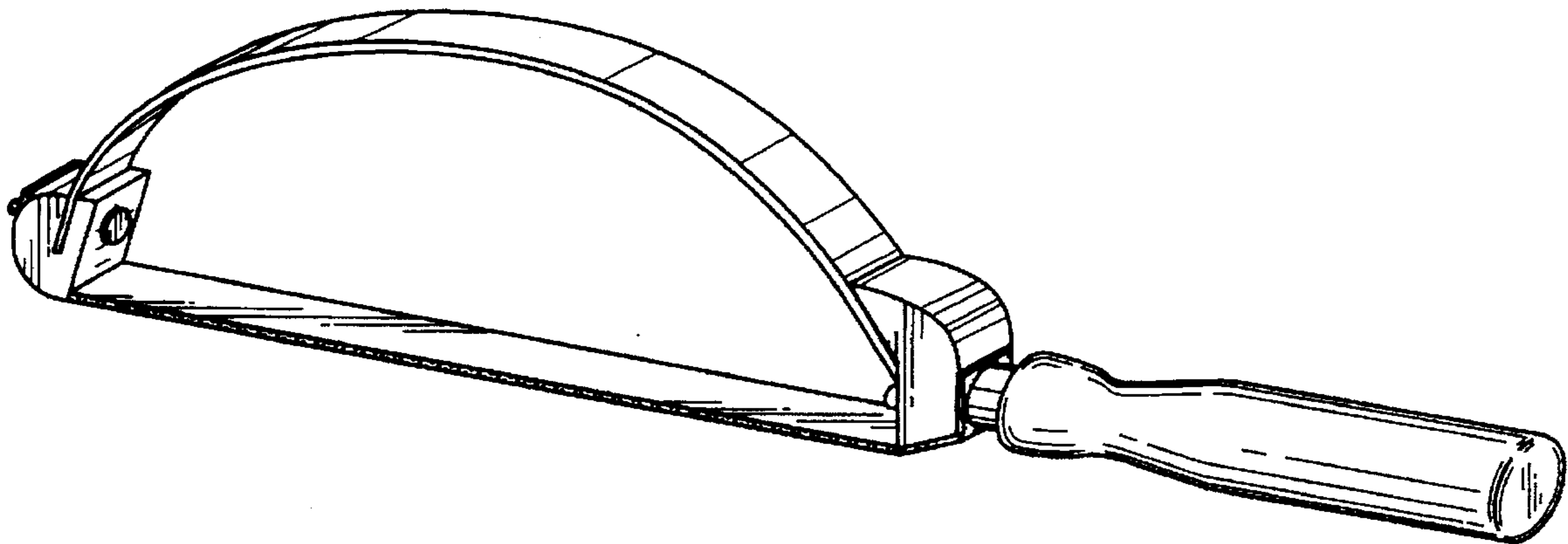
The ornamental design for a sanding tool, as shown.

DESCRIPTION

FIG. 1 is a perspective view of a sanding tool showing my new design;
FIG. 2 is a rear view thereof;
FIG. 3 is a right end view thereof;
FIG. 4 is a left end view thereof;
FIG. 5 is a top view thereof; and,
FIG. 6 is a bottom view thereof.

[56] **References Cited**
U.S. PATENT DOCUMENTS
2,447,327 8/1948 Gerrits et al. 451/524
3,648,418 3/1972 Churchich 451/524
3,699,729 10/1972 Garvey et al. 451/523

1 Claim, 3 Drawing Sheets



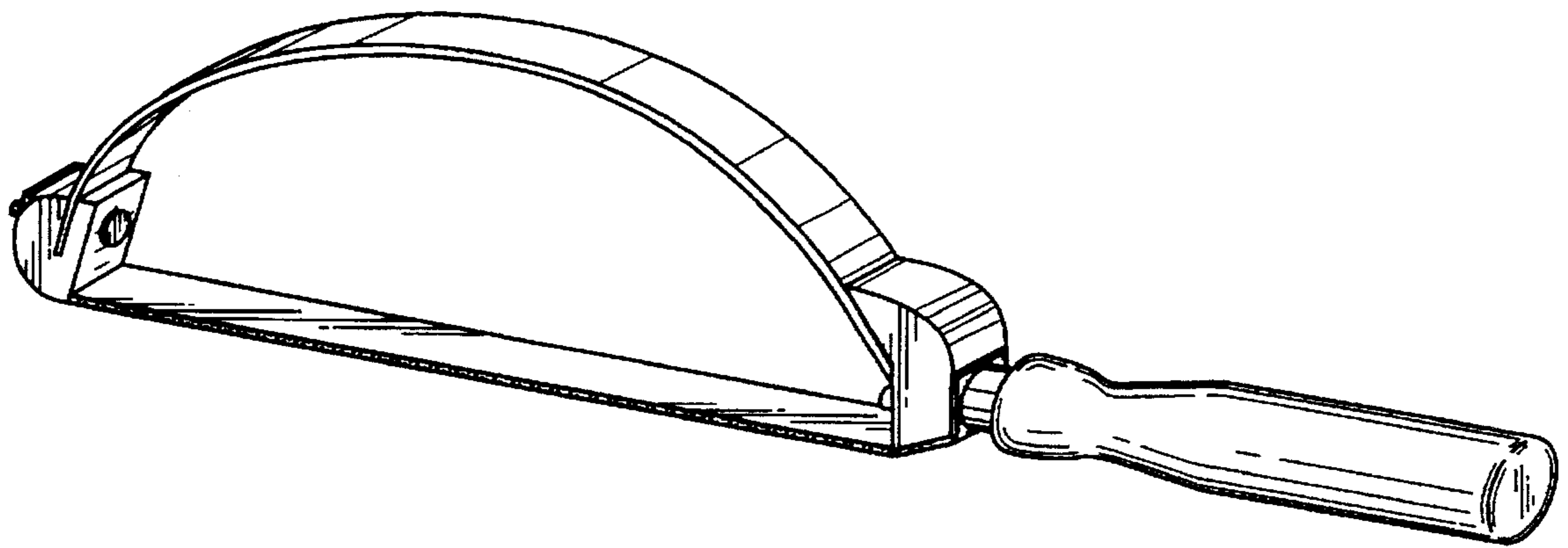


FIG. 1

FIG. 2

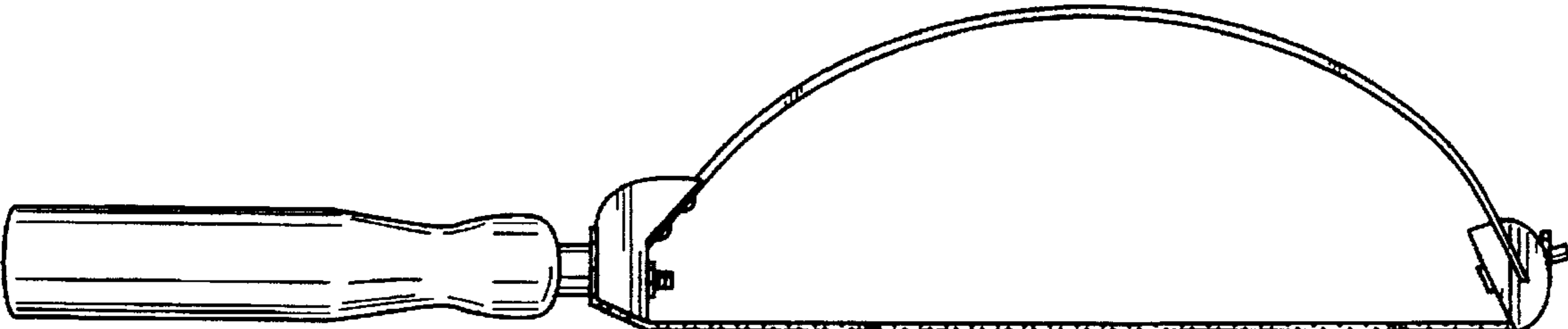


FIG. 3



FIG. 4



FIG. 5

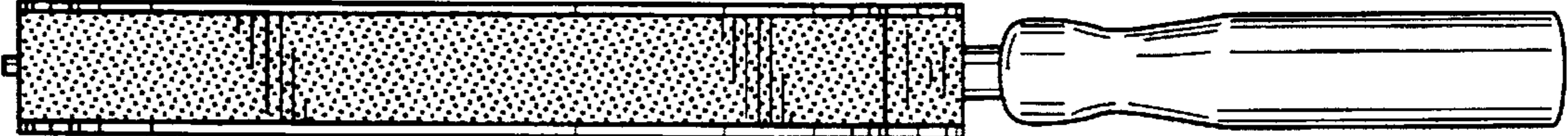


FIG. 6