



US00D383368S

United States Patent [19]

[11] Patent Number: Des. 383,368

Achterberg et al.

[45] Date of Patent: **Sep. 9, 1997

[54] SAW BLADE WITH VENTS

[75] Inventors: **Nicholas E. Achterberg**, Phoenix;
David A. Williams, Bel Air, both of
Md.; **John R. Curtsinger**, Shelbyville,
Ky.

[73] Assignee: **Black & Decker Inc.**, Newark, Del.

[**] Term: **14 Years**

[21] Appl. No.: **51,681**

[22] Filed: **Mar. 15, 1996**

[51] LOC (6) Cl. **08-05**

[52] U.S. Cl. **D8/74**

[58] Field of Search D8/74; 30/346,
30/347, 388; 83/835, 846; 125/15, 18; 144/218,
223

4,333,371 6/1982 Matsuda .
4,417,833 11/1983 Wertheimer .
4,445,413 5/1984 Ohwada .
4,574,676 3/1986 Jansen-Herfeld .
4,776,251 10/1988 Carter, Jr. .
4,794,835 1/1989 Fujiyoshi .
4,821,617 4/1989 Fjelkner et al. .
4,848,205 7/1989 Suzuki et al. .
5,078,035 1/1992 Moller et al. .
5,182,976 2/1993 Wittkopp .
5,191,819 3/1993 Hoshi .
5,351,595 10/1994 Johnston .
5,365,986 11/1994 Hooser .

FOREIGN PATENT DOCUMENTS

0102626 9/1983 European Pat. Off. .
0243909 1/1987 European Pat. Off. .
0239676 5/1989 European Pat. Off. .

(List continued on next page.)

Primary Examiner—Antoine Duval Davis
Attorney, Agent, or Firm—Charles E. Yocum; Dennis A.
Dearing; John D. Del Ponti

[56] References Cited

U.S. PATENT DOCUMENTS

Re. 13,300 10/1911 Williams et al. .
88,949 4/1869 Emerson .
191,198 5/1877 Tilton .
199,852 1/1878 Milligan .
212,813 3/1879 Miller .
213,439 3/1879 Miller .
D. 266,001 8/1982 Wertheimer .
D. 321,634 11/1991 Inue D8/70
D. 337,713 7/1993 Johnston .
D. 341,304 11/1993 Johnston .
D. 345,683 4/1994 Johnston .
411,189 9/1889 Grey 125/15 X
635,509 10/1899 Trunnel .
788,236 4/1905 Bartholomew .
1,083,645 1/1914 Wettstein .
1,711,102 4/1929 Sierra, Jr. .
2,256,847 9/1941 Osenberg .
2,903,782 9/1959 Cowley .
3,176,455 4/1965 Buchanan .
3,700,016 10/1972 Strobel .
3,872,763 3/1975 Kayahara .
3,981,216 9/1976 Lemmon .
4,106,382 8/1978 Salje et al. .
4,232,580 11/1980 Stewart .
4,240,315 12/1980 Tuomaala .

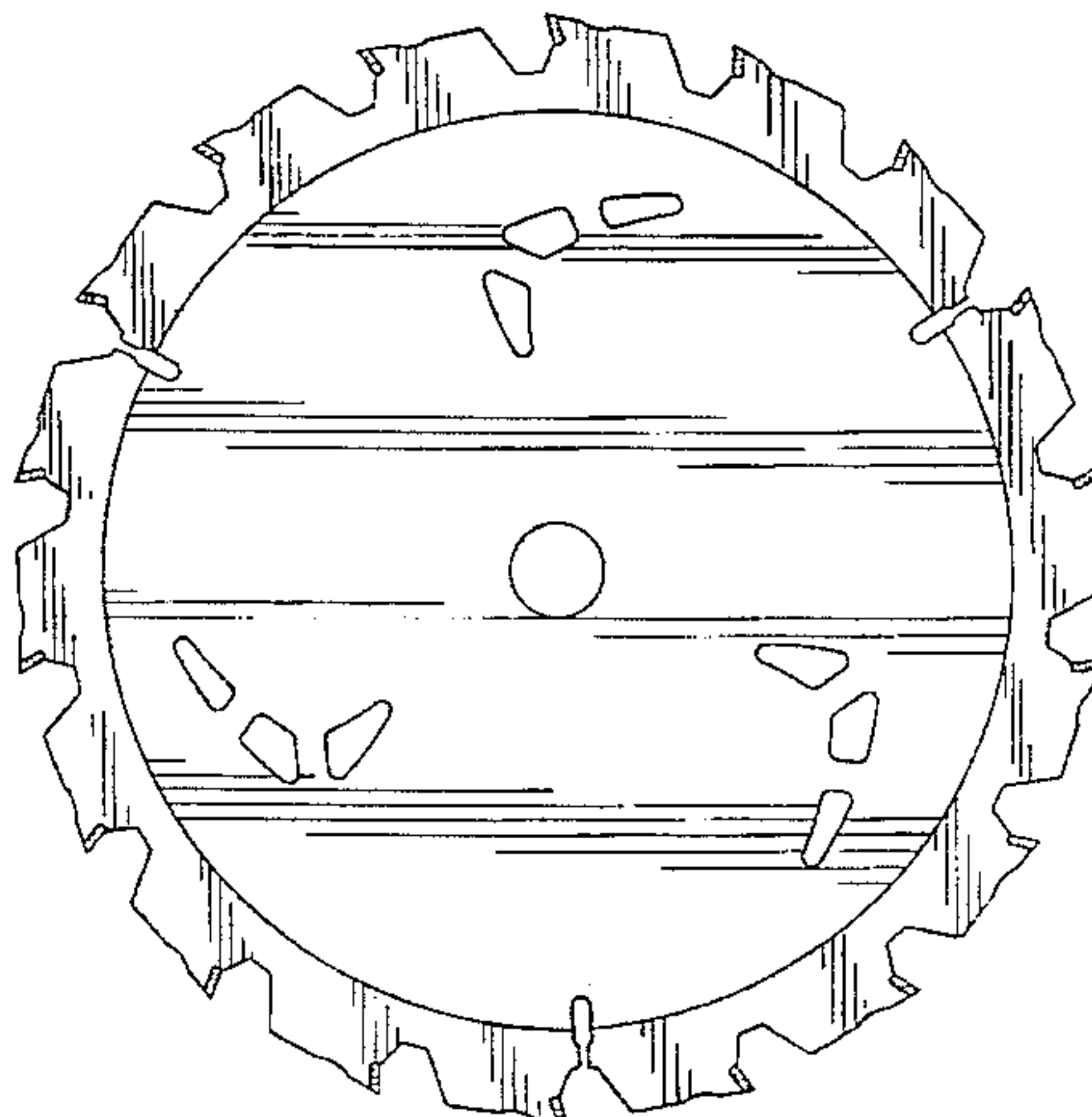
[57] CLAIM

The ornamental design for a saw blade with vents, as shown and described.

DESCRIPTION

FIG. 1 is a top plan view of one embodiment of the saw blade with vents of the present invention, the bottom plan view being a mirror image of FIG. 1;
FIG. 2 is a left-side elevational view of the saw blade with vents of FIG. 1;
FIG. 3 is a right-side elevational view of the saw blade with vents of FIG. 1;
FIG. 4 is a top side elevational view of the saw blade with vents of FIG. 1;
FIG. 5 is a bottom side elevational view of the saw blade with vents of FIG. 1; and,
FIG. 6 is a top plan view of a second embodiment of the saw blade with vents of the present invention, the bottom plan view being a mirror image of FIG. 6, and all four side elevational views thereof being the same as FIGS. 2 through 5, respectively.

1 Claim, 3 Drawing Sheets



FOREIGN PATENT DOCUMENTS

0376676	1/1990	European Pat. Off. .	3804400	8/1989	Germany .
0369120	1/1990	European Pat. Off. .	3605624	9/1989	Germany .
0303770	7/1991	European Pat. Off. .	8224874	7/1993	Germany .
0578625	1/1994	European Pat. Off. .	4243480	6/1994	Germany .
0598389	5/1994	European Pat. Off. .	1264716	1/1989	Japan .
0640422	3/1995	European Pat. Off. .	4-43001	1/1992	Japan .
1050987	2/1959	Germany .	4-53701	1/1992	Japan .
2654625	6/1978	Germany .	4-02410	1/1992	Japan .
2703825	8/1978	Germany .	484988	11/1975	U.S.S.R. .
3234499	3/1984	Germany .	0802020	2/1981	U.S.S.R. .
3310247	10/1984	Germany .	1146197	3/1985	U.S.S.R. .
3346321	7/1985	Germany .	2107641	5/1983	United Kingdom .
8324657	1/1986	Germany .	WO8501242	3/1985	WIPO .
8703531	8/1987	Germany .	WO8705556	9/1987	WIPO .
8711983	12/1987	Germany .	890967	10/1989	WIPO .
			9308969	5/1993	WIPO .

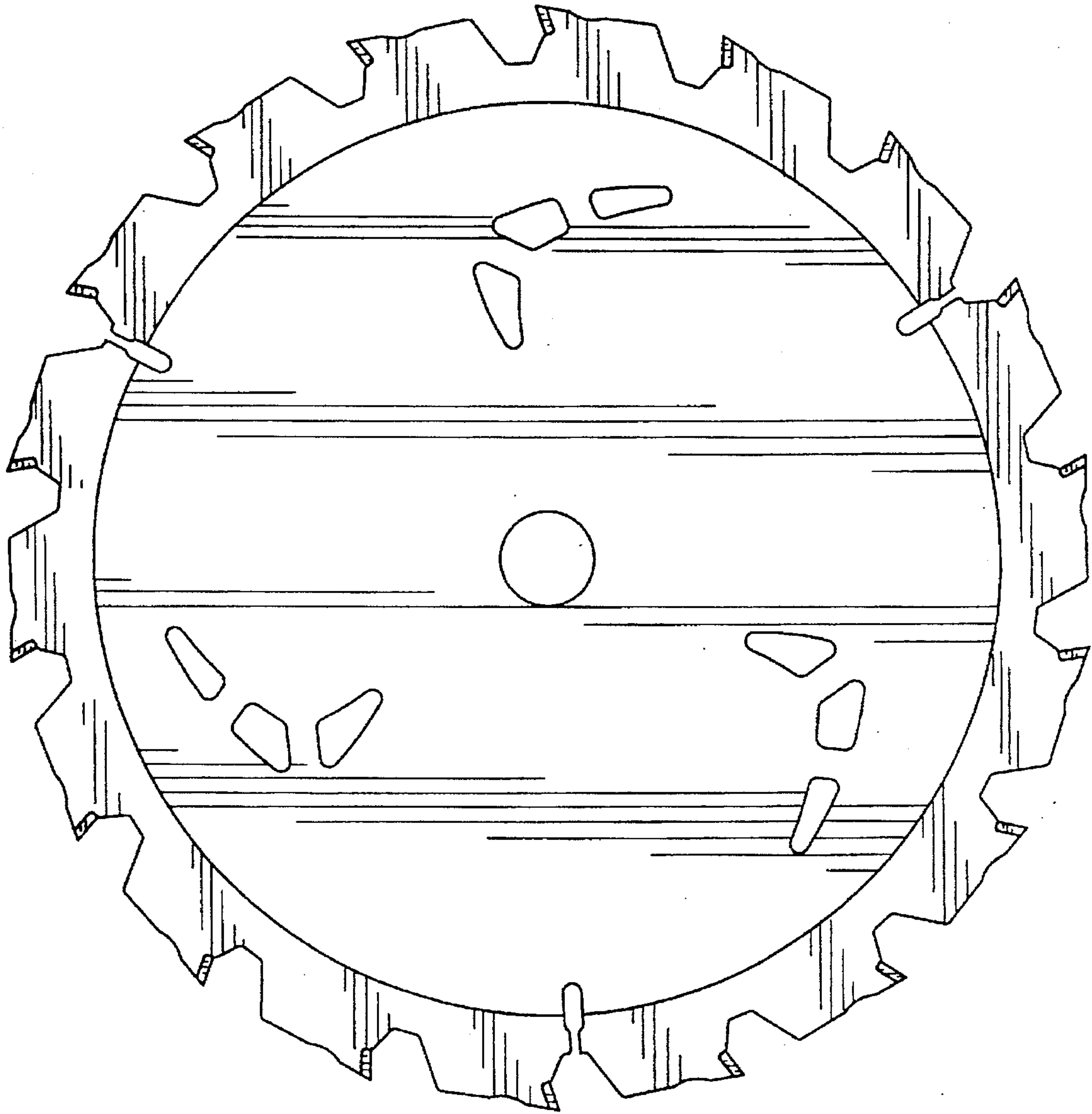


FIG. 1



FIG. 2



FIG. 3



FIG. 4



FIG. 5

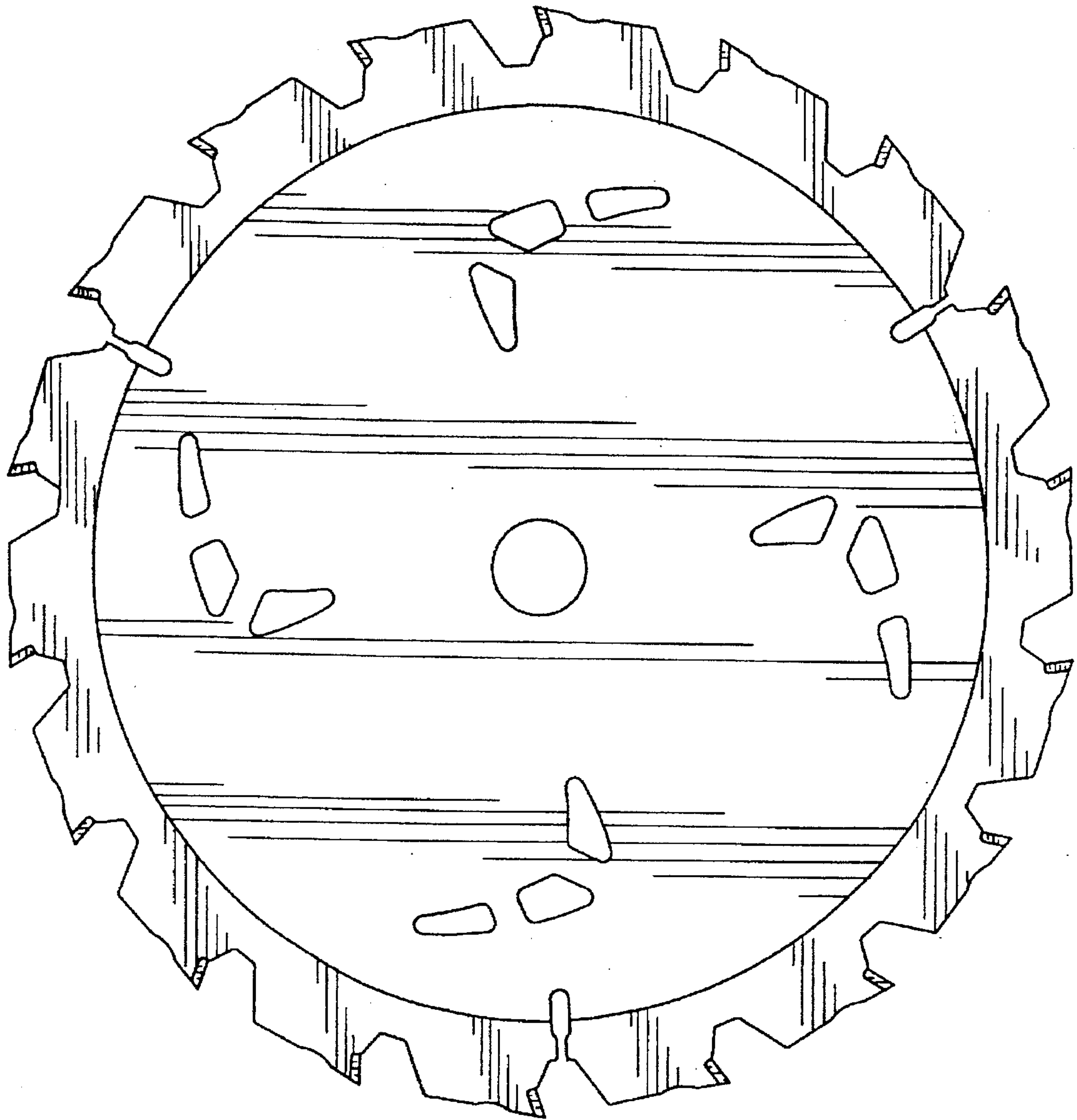


FIG. 6