



US00D383367S

United States Patent [19]

[11] Patent Number: Des. 383,367

Richards

[45] Date of Patent: **Sep. 9, 1997

[54] PISTOL GRIP TORQUE-MEASURING POWER TOOL

D. 340,394 10/1993 Okumura D8/68

[75] Inventor: Paul W. Richards, Annapolis, Md.

[73] Assignee: The United States of America as represented by the Administrator of the National Aeronautics and Space Administration, Washington, D.C.

[**] Term: 14 Years

[21] Appl. No.: 50,364

[22] Filed: Feb. 15, 1996

[51] LOC (6) Cl. 08-01

[52] U.S. Cl. D8/68

[58] Field of Search D8/61, 68, 69; 81/57.11, 57.13, 57.14, 469; 173/48, 90-93.7, 169, 170; 408/124, 125

[56] References Cited

U.S. PATENT DOCUMENTS

D. 303,488 9/1989 Fonck D8/68

OTHER PUBLICATIONS

Hitachi Cordless Driver Drill Model D 10DH, *Hitachi Power Tools Catalog*, p. 8.

Primary Examiner—James Gandy
Assistant Examiner—Robert M. Spear
Attorney, Agent, or Firm—Keith L. Dixon

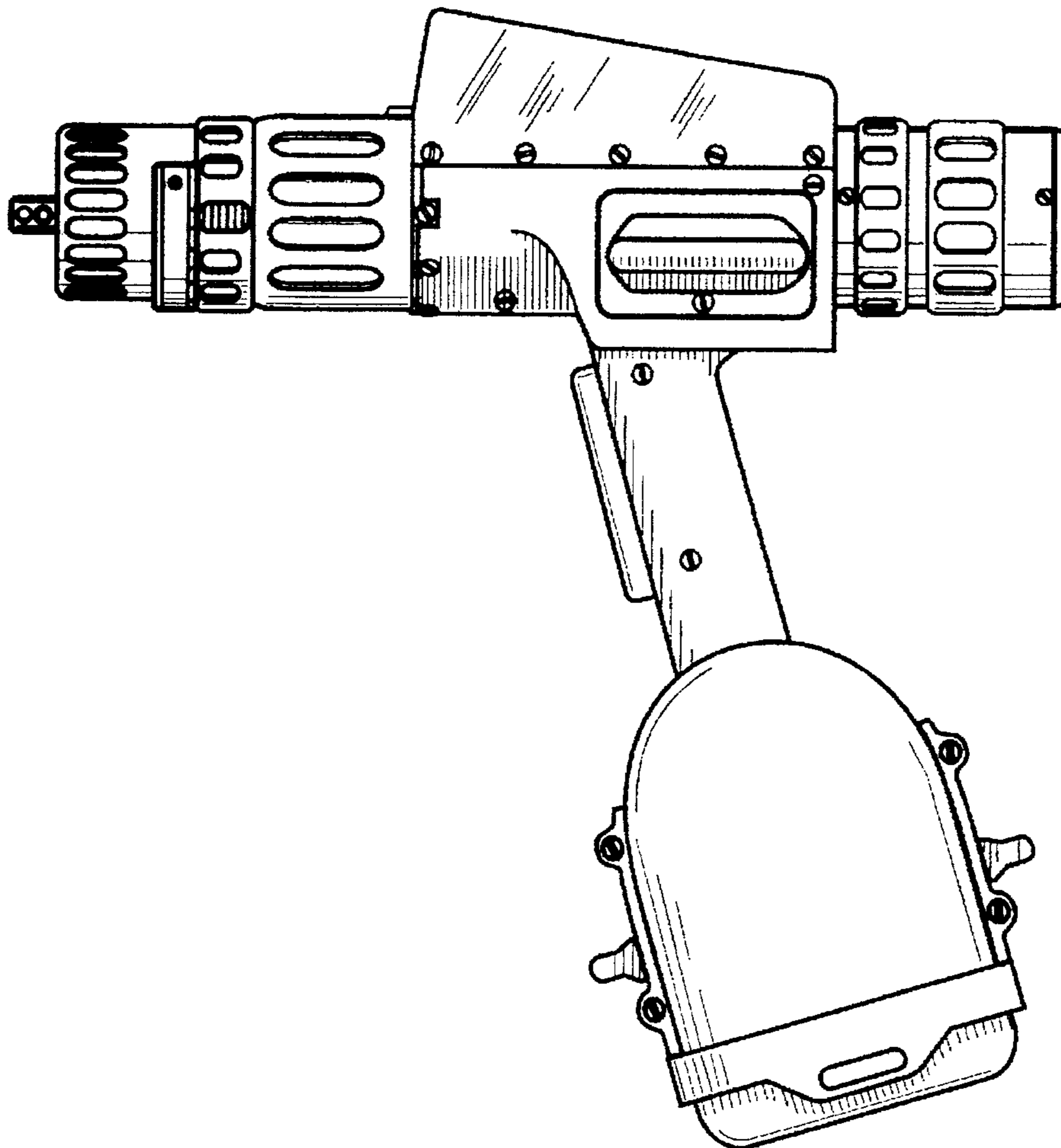
[57] CLAIM

The ornamental design for a pistol grip torque-measuring power tool, as shown.

DESCRIPTION

FIG. 1 is a right side view of my new design;
FIG. 2 is a front view thereof;
FIG. 3 is a top view thereof;
FIG. 4 is a rear view thereof; and,
FIG. 5 is a left side view thereof.

1 Claim, 2 Drawing Sheets



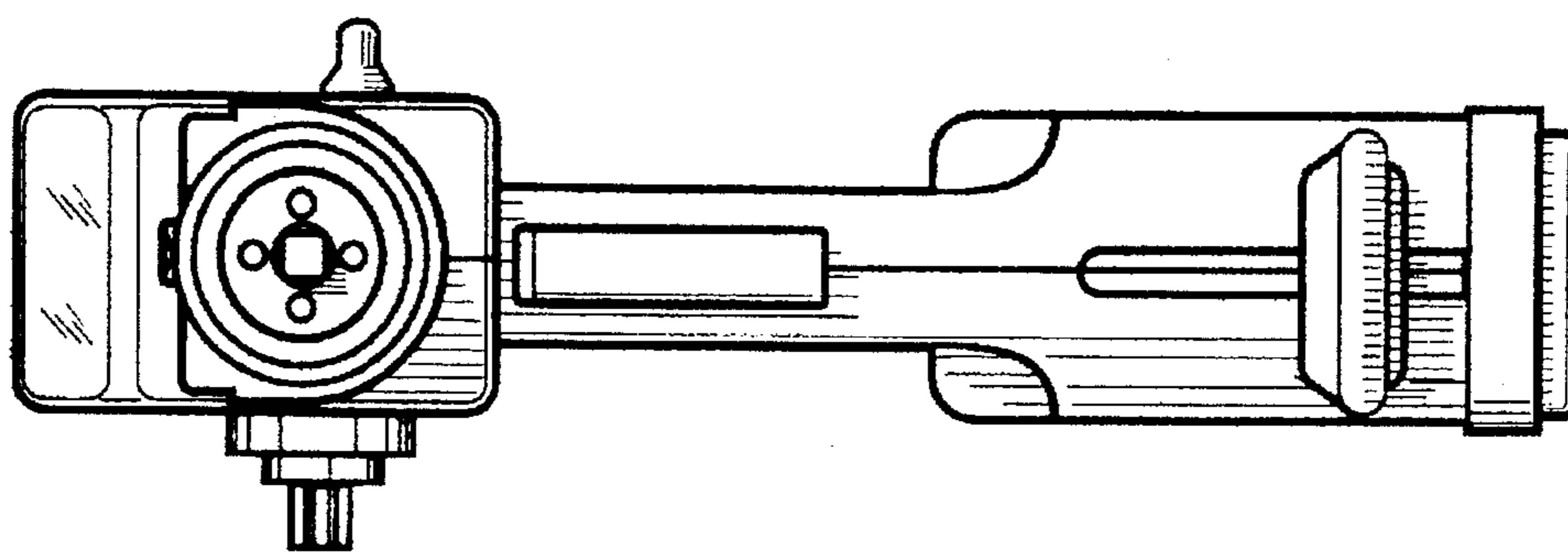


FIG. 2

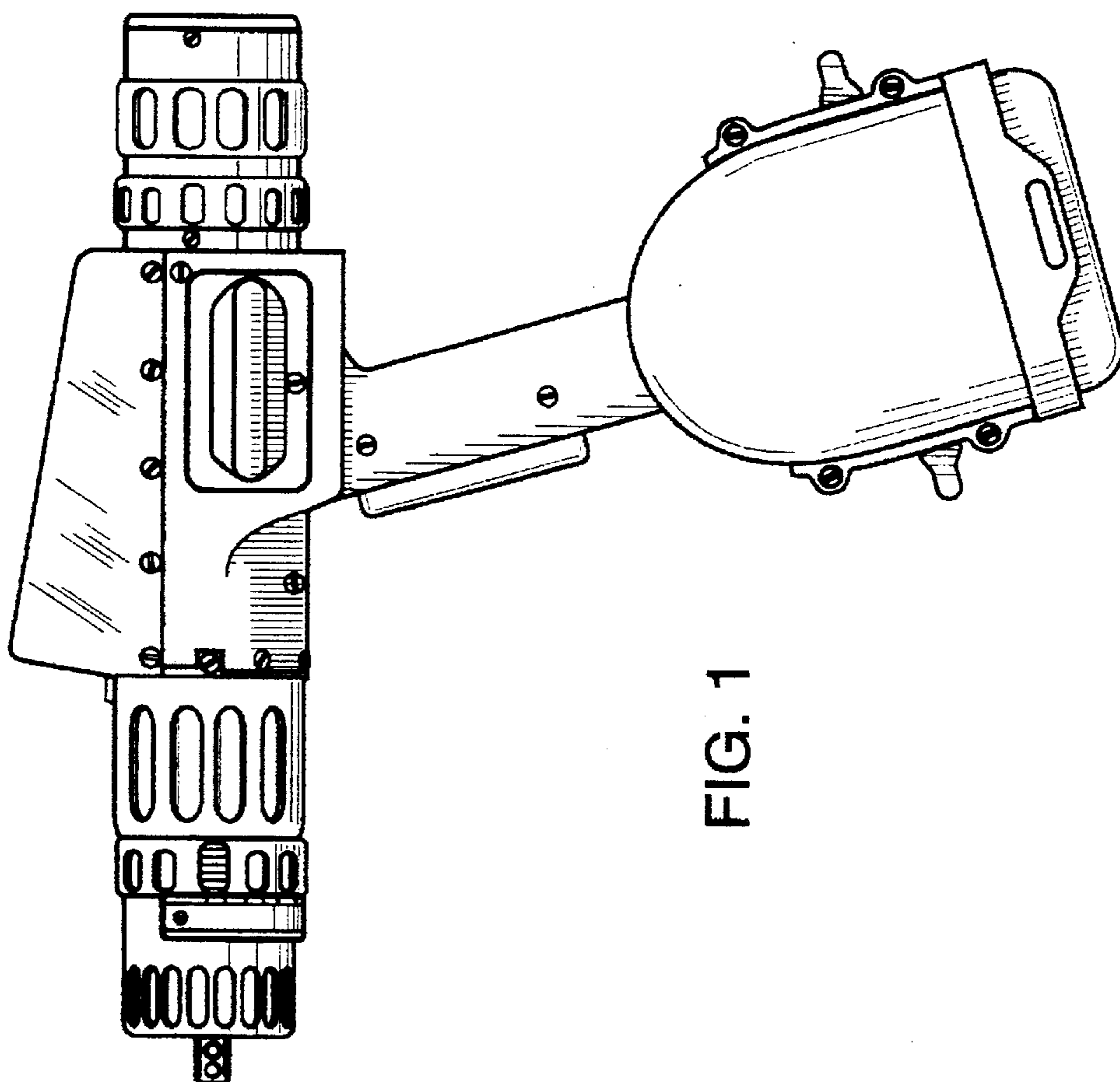


FIG. 1

FIG. 3

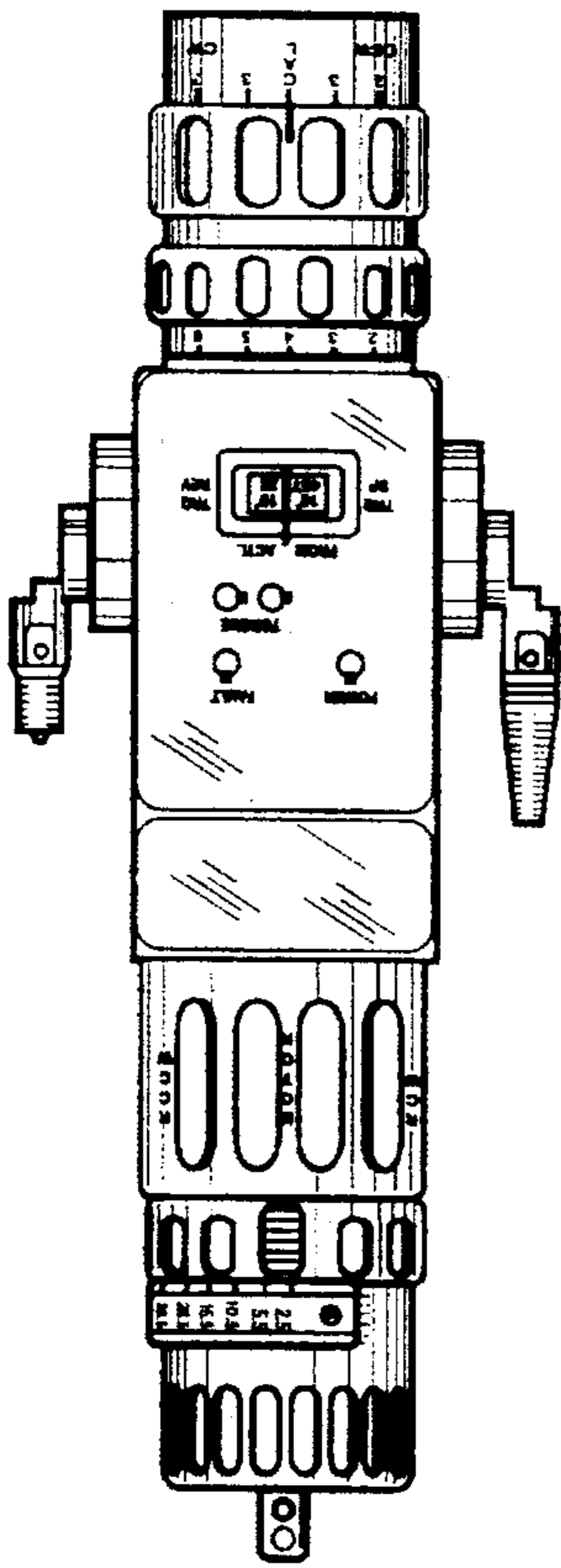


FIG. 5

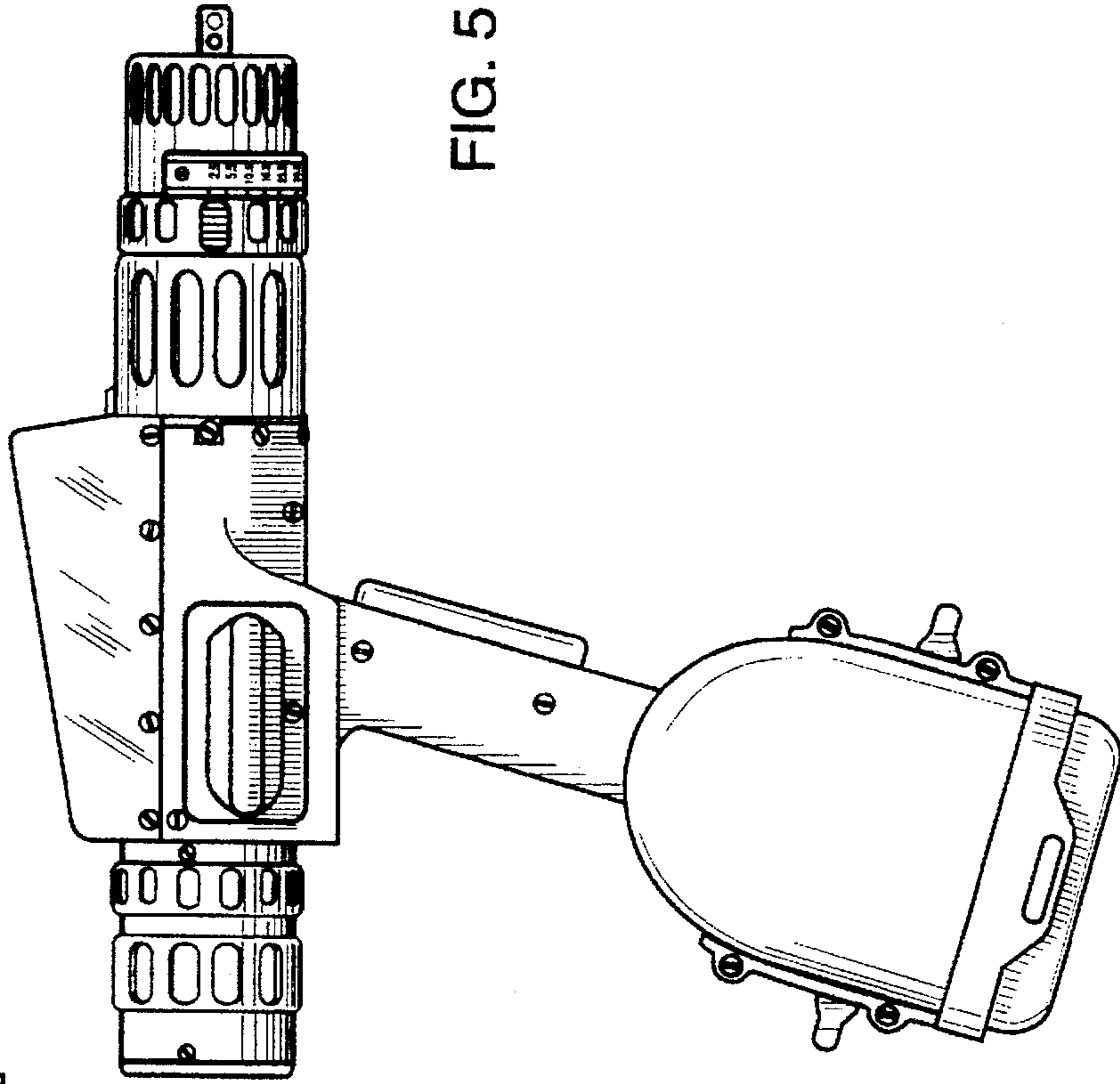


FIG. 4

