



US00D383365S

United States Patent [19]
Lee

[11] **Patent Number:** **Des. 383,365**

[45] **Date of Patent:** ****Sep. 9, 1997**

[54] **WRENCH**

4,627,315 12/1986 Lin 81/60 X
5,437,212 8/1995 Thompson et al. 81/63.1

[76] **Inventor:** **Grace Lee**, 58, Ma Yuan West St.,
Taichung, Taiwan

Primary Examiner—Ted Shooman
Assistant Examiner—Richelle Shelton

[**] **Term:** **14 Years**

[57] **CLAIM**

[21] **Appl. No.:** **41,969**

The ornamental design for a wrench, as shown and described.

[22] **Filed:** **Jul. 28, 1995**

DESCRIPTION

[51] **LOC (6) Cl.** **08-05**

[52] **U.S. Cl.** **D8/25**

[58] **Field of Search** D8/21-29, 107,
D8/82, 83; 81/58, 60-63.2

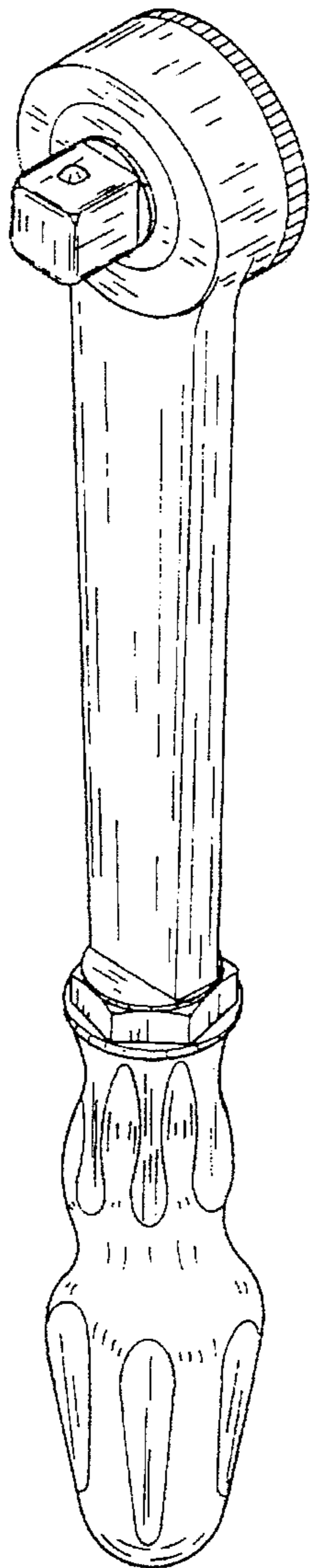
FIG. 1 is a front elevational view of a wrench showing my new design;
FIG. 2 is a rear elevational view thereof;
FIG. 3 is a left side elevational view thereof;
FIG. 4 is a right side elevational view thereof;
FIG. 5 is a top plan view thereof;
FIG. 6 is a bottom plan view thereof; and,
FIG. 7 is a perspective view thereof.

[56] **References Cited**

U.S. PATENT DOCUMENTS

D. 256,546	8/1980	Holland-Letz	D8/83
D. 300,296	3/1989	Krapowicz et al.	D8/25
2,020,883	11/1935	Gagne	81/63
4,566,356	1/1986	Herota	81/62

1 Claim, 4 Drawing Sheets



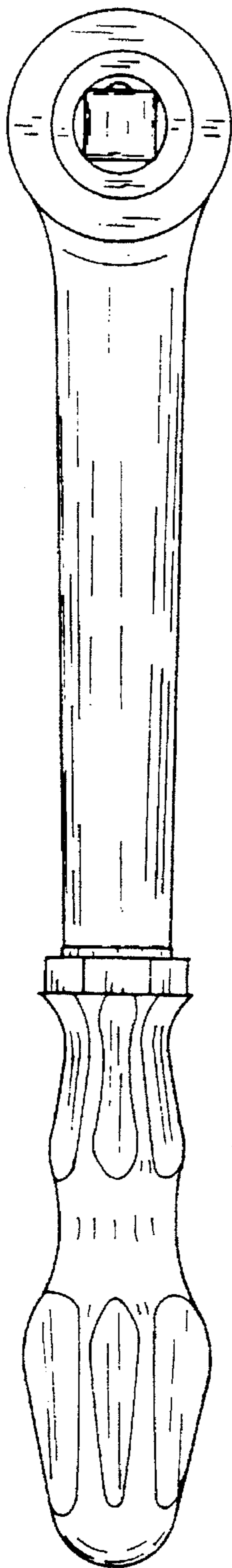


FIG. 1

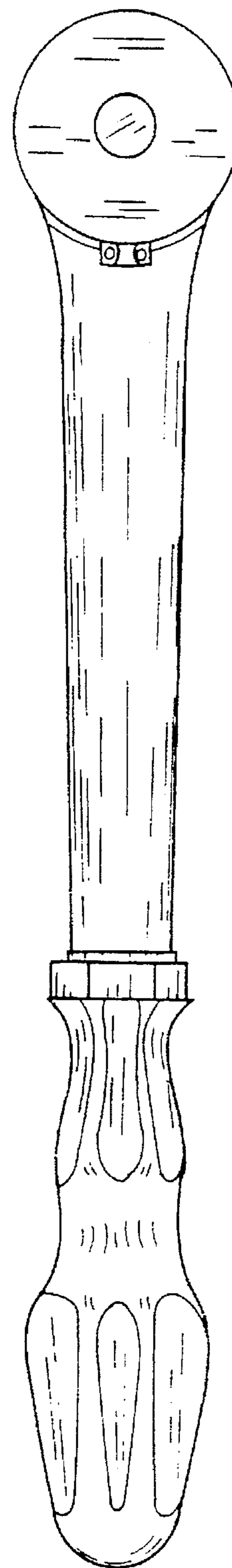


FIG. 2

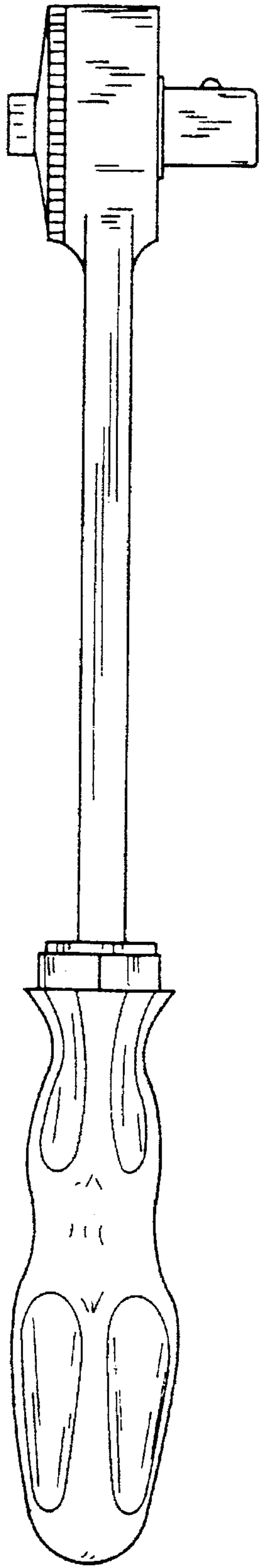


FIG. 3

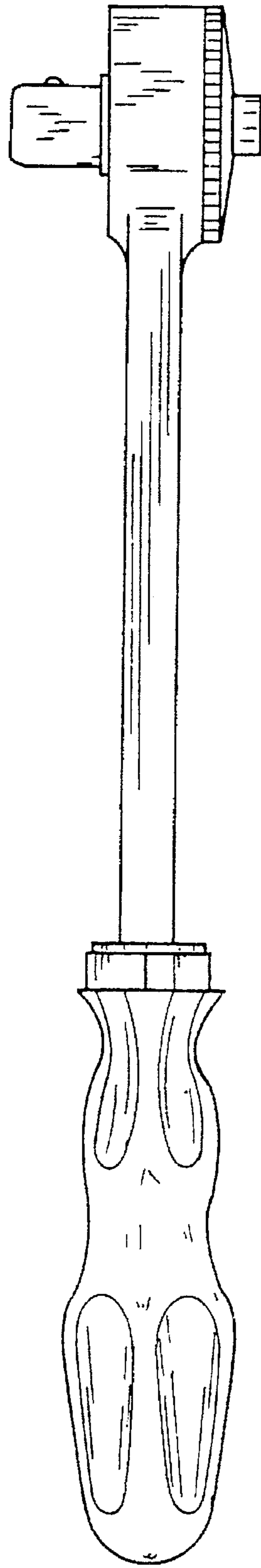


FIG. 4

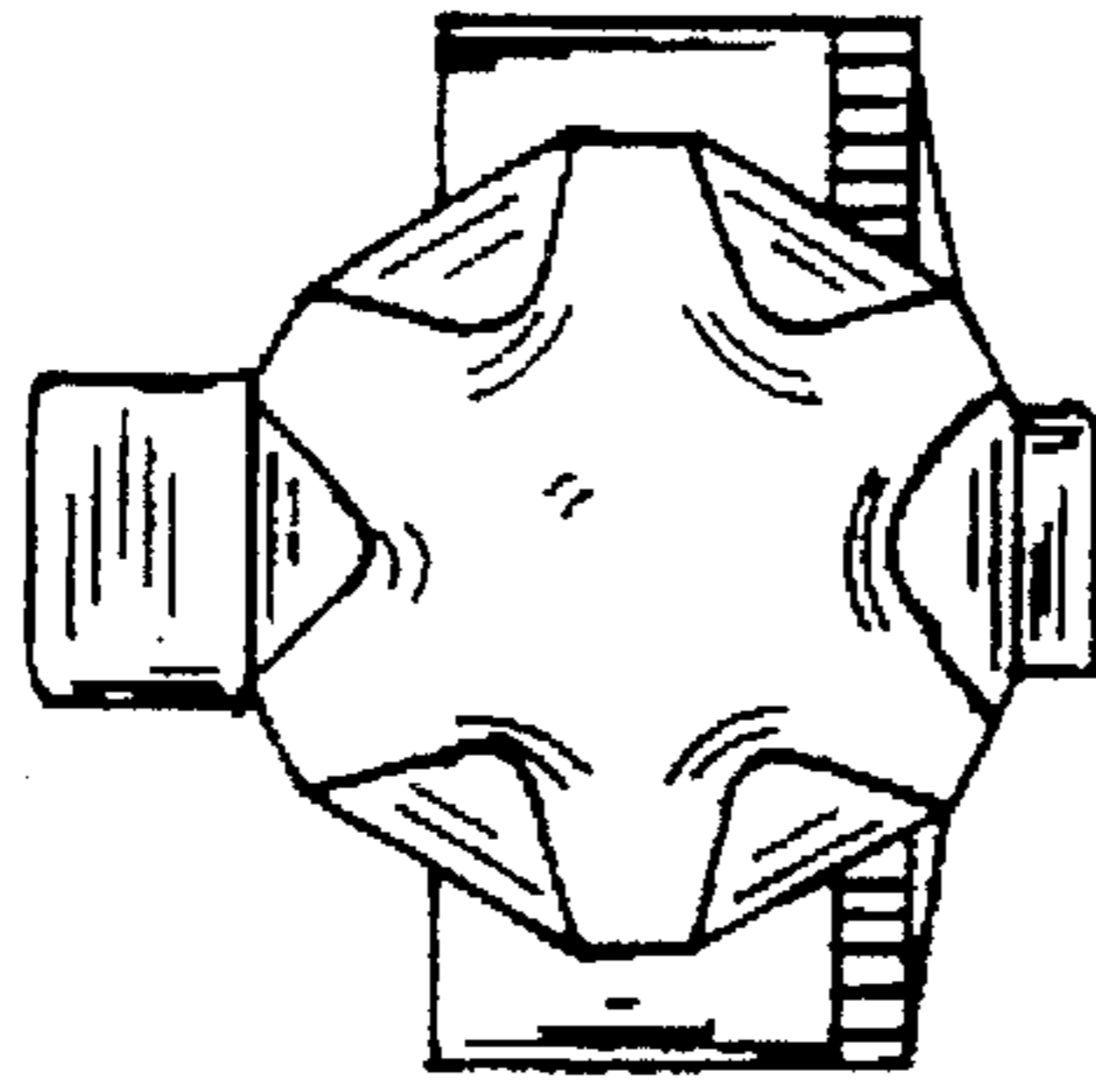


FIG. 6

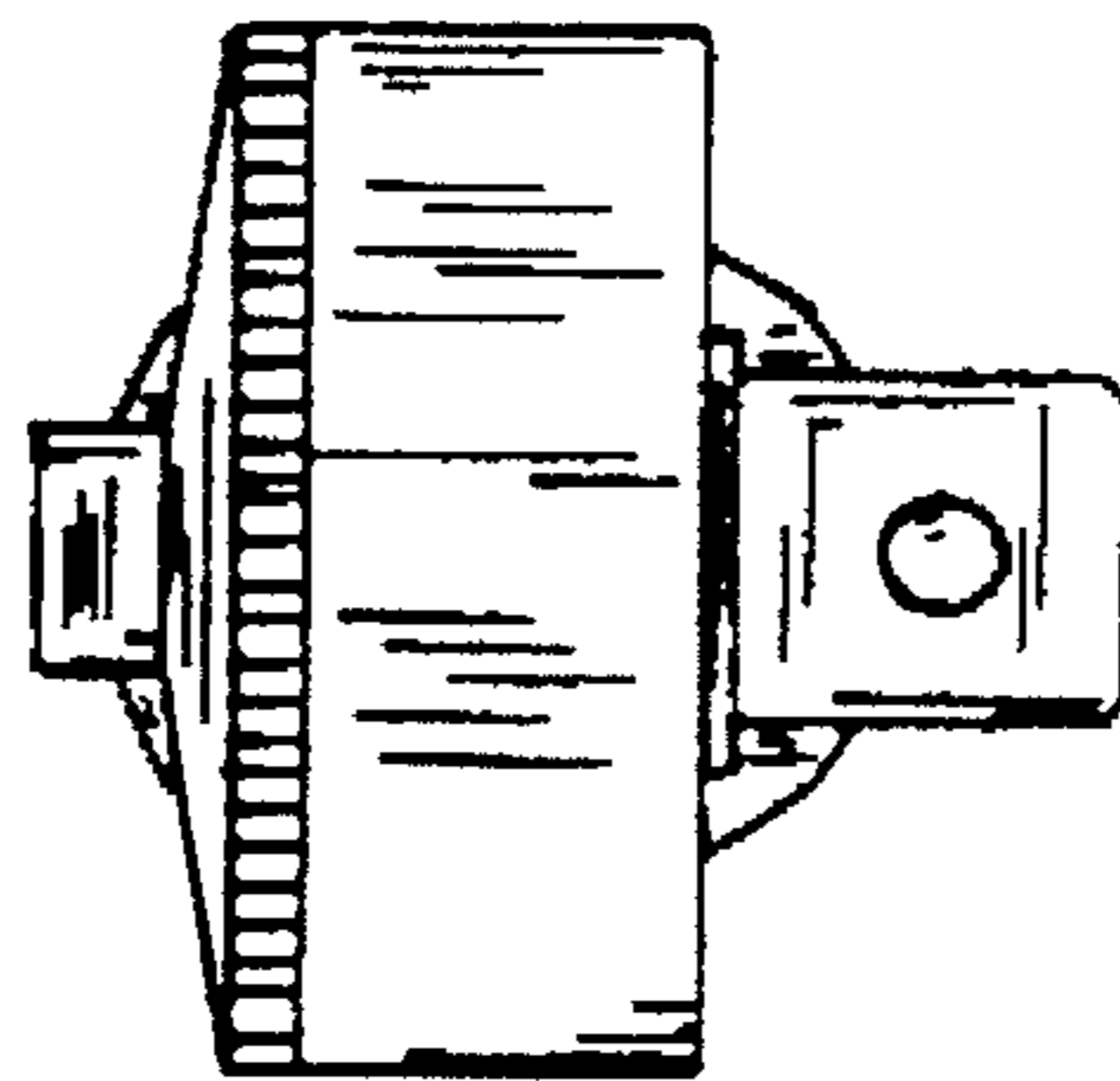


FIG. 5

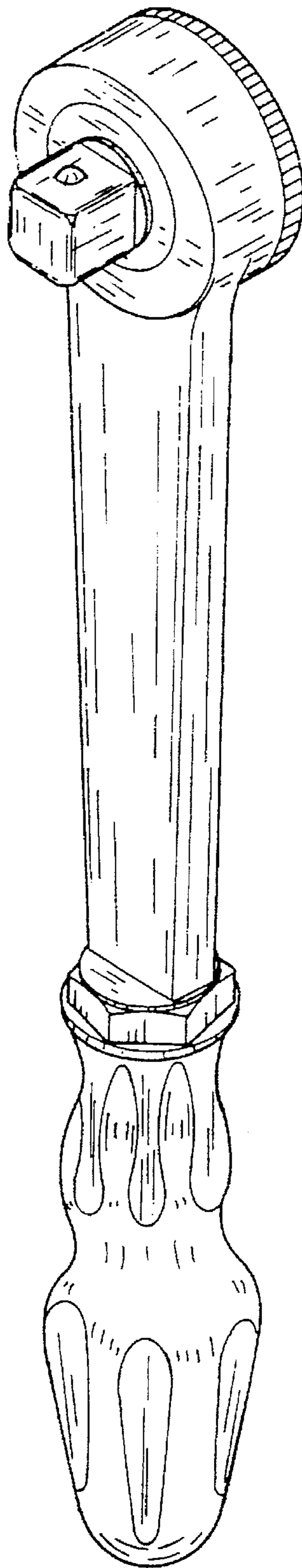


FIG. 7